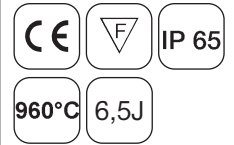




Luminaires suitable for **surgeries, pharmaceutical, chemical laboratories, aseptic rooms, sterilized rooms, platform-roof, underpasses.**



L 590 RVS T26 or T16 (SURGERY LUMINAIRES)



Flow **recuperator** from anodized **specular** aluminium. Mistlite protection **glass** thickness 6mm, tempered, locked to the perimetrical frame in anodized aluminium white colour.

PRICE LIST

DESCRIPTION	DIMENSIONS mm					COLOUR	Conventional ballast and capacitor		Electronic ballast	
	A	L	H	A1	L1		CODE	PRICE	CODE	PRICE
L 594x18W T26 RVS	665	698	100	631	665	White	391042		391043	
L 592x36W T26 RVS	355	1324	100	321	1290	White	391122		391123	
L 592x58W T26 RVS	355	1624	100	321	1590	White	391162		391163	
L 593x36W T26 RVS	355	1324	100	321	1290	White	391132		391133	
L 594x14W T16 RVS	613	613	94	582	582	White			391203	
L 594x24W T16 RVS	613	613	94	582	582	White			391323	
L 592x28W T16 RVS	313	1213	94	282	1182	White			391243	
L 592x54W T16 RVS	313	1213	94	282	1182	White			391393	
L 592x49W T16 RVS	313	1513	94	282	1482	White			391363	
L 592x80W T16 RVS	313	1513	94	282	1482	White			391433	
L 593x28W T16 RVS	313	1213	94	282	1182	White			391253	
L 593x54W T16 RVS	313	1213	94	282	1182	White			391403	
L 593x49W T16 RVS	313	1513	94	282	1482	White			391373	
L 593x80W T16 RVS	313	1513	94	282	1482	White			391443	
L 594x28W T16 RVS	613	1213	94	582	1182	White			391263	
L 594x54W T16 RVS	613	1213	94	582	1182	White			391413	



Luminaires suitable for **surgeries, pharmaceutical, chemical laboratories, aseptic rooms, sterilized rooms, platform-roof, underpasses.**



L 590 OVS T26 or T16 (SURGERY LUMINAIRES)

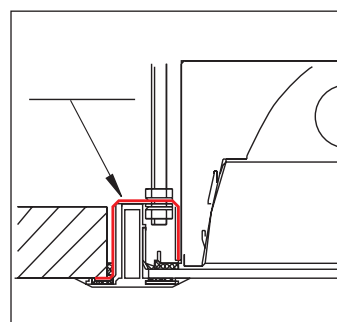
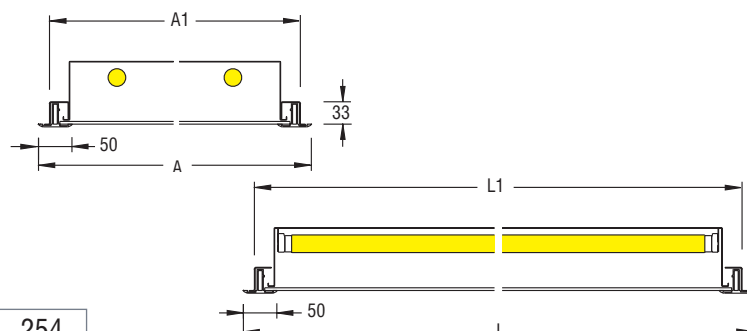


Parabolic louvre from non iridescent **specular** aluminium. Mistlite protection **glass** thickness 6mm, tempered, locked to the perimetrical frame in anodized aluminium white colour.

PRICE LIST

DESCRIPTION	DIMENSIONS mm					COLOUR	Conventional ballast and capacitor		Electronic ballast	
	A	L	H	A1	L1		CODE	PRICE	CODE	PRICE
L 594x18W T26 OVS	665	698	100	631	665	White	392042		392043	
L 592x36W T26 OVS	355	1324	100	321	1290	White	392122		392123	
L 592x58W T26 OVS	355	1624	100	321	1590	White	392162		392163	
L 594x14W T16 OVS	613	613	94	582	582	White			392203	
L 594x24W T16 OVS	613	613	94	582	582	White			392303	
L 592x28W T16 OVS	313	1213	94	282	1182	White			392243	
L 592x54W T16 OVS	313	1213	94	282	1182	White			392363	
L 592x49W T16 OVS	313	1513	94	282	1482	White			392343	
L 592x80W T16 OVS	313	1513	94	282	1482	White			392403	

Note: The preceding luminaires are also available in **TITAN** colour with **10%** extra charge on the price list.



Installation:
Pre-mount the anchor brace (independent from the housing) with the hanging rods from the original ceiling.