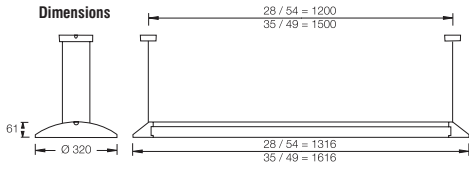


Dimensions




OSRAM: T5
PHILIPS: TL5


Housing in painted aluminium.

Upper diffuser in transparent polycarbonate and lower diffuser in PMMA transparent methacrylate.

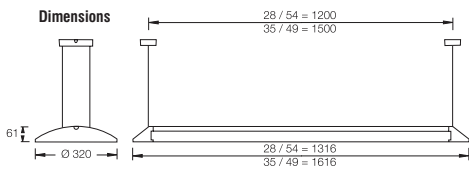
Fly2 B SP
(PENDANT LUMINAIRES)



			PRICE LIST
CODE	DESCRIPTION	COLOUR	Electronic ballast
3F15470	FLY2 B 2x28W T16 LD SP 15470	White	
3F15471	FLY2 B 2x54W T16 LD SP 15471	White	
3F15472	FLY2 B 2x35W T16 LD SP 15472	White	
3F15473	FLY2 B 2x49W T16 LD SP 15473	White	
3F15477	FLY2 B 4x35W T16 LD DA SP 15477	White	
3F15478	FLY2 B 4x49W T16 LD DA SP 15478	White	



Dimensions




OSRAM: T5
PHILIPS: TL5


Housing in painted aluminium.

Upper diffuser in transparent polycarbonate and lower diffuser in PMMA transparent methacrylate.

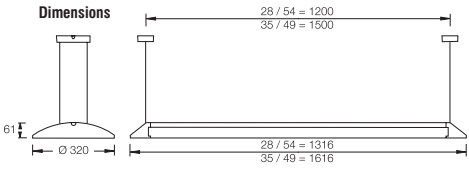
Fly2 GR SP
(PENDANT LUMINAIRES)



			PRICE LIST
CODE	DESCRIPTION	COLOUR	Electronic ballast
3F15740	FLY2 GR 2x28W T16 LD SP 15740	Titan	
3F15741	FLY2 GR 2x54W T16 LD SP 15741	Titan	
3F15742	FLY2 GR 2x35W T16 LD SP 15742	Titan	
3F15743	FLY2 GR 2x49W T16 LD SP 15743	Titan	
3F15747	FLY2 GR 4x35W T16 LD DA SP 15747	Titan	
3F15748	FLY2 GR 4x49W T16 LD DA SP 15748	Titan	



Dimensions




OSRAM: T5
PHILIPS: TL5


Housing in painted aluminium.

Upper diffuser in transparent polycarbonate and lower diffuser in PMMA opal methacrylate.

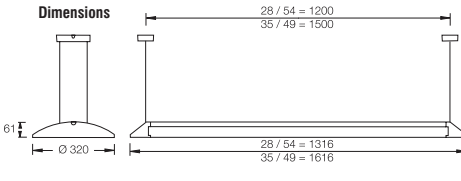
Fly2 B OP
(PENDANT LUMINAIRES)



			PRICE LIST
CODE	DESCRIPTION	COLOUR	Electronic ballast
3F15380	FLY2 B 2x28W T16 LD OP 15380	White	
3F15381	FLY2 B 2x54W T16 LD OP 15381	White	
3F15382	FLY2 B 2x35W T16 LD OP 15382	White	
3F15383	FLY2 B 2x49W T16 LD OP 15383	White	
3F15387	FLY2 B 4x35W T16 LD DA OP 15387	White	
3F15388	FLY2 B 4x49W T16 LD DA OP 15388	White	



Dimensions




28 / 54 = 1200
35 / 49 = 1500

28 / 54 = 1316
35 / 49 = 1616


Ø 320

61



OSRAM: T5
PHILIPS: TL5


Fly2 GR OP
(PENDANT LUMINAIRES)



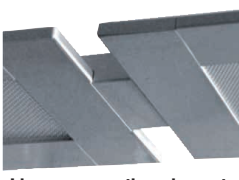
Housing in painted aluminium.

Upper diffuser in transparent polycarbonate and lower diffuser in PMMA opal methacrylate.

CODE			DESCRIPTION			COLOUR			PRICE LIST		
									Electronic ballast		
3F15650	FLY2 GR 2x28W T16 LD OP	15650									
3F15651	FLY2 GR 2x54W T16 LD OP	15651									
3F15652	FLY2 GR 2x35W T16 LD OP	15652									
3F15653	FLY2 GR 2x49W T16 LD OP	15653									
3F15657	FLY2 GR 4x35W T16 LD DA OP	15657									
3F15658	FLY2 GR 4x49W T16 LD DA OP	15658									




Adjustable suspension




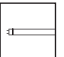
Linear connecting element

FLY2 - Direct / Indirect
(ACCESSORIES)

CODE			DESCRIPTION			COLOUR			PRICE LIST		
									Electronic ballast		
			Adjustable suspension length 1m								
3F01318	Unwired	01318									
3F01325	Wired with type H05VV-F 5x1,5mm ²	01325									
802123	Reel of stainless steel cable length 100m	0620									
802124	Clamps n° 100 pcs	0622									
			Linear connecting element								
3F01353	Element	01353									








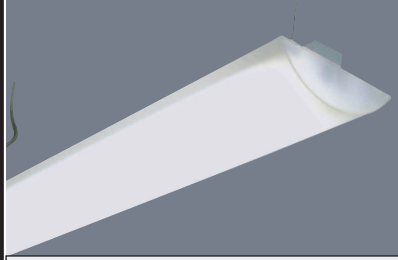
OSRAM: T5
PHILIPS: TL5

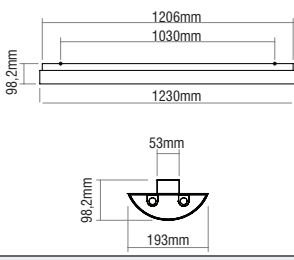
WAVE
(PENDANT LUMINAIRES)

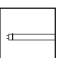


- Housing in aluminium painted electrostatically in titan or black colour.
- Prismatic protection glass.
- Adjustable suspension from steel wire rope.

CODE				DESCRIPTION				DIMENSIONS				COLOUR				PRICE LIST			
												Electronic ballast							
82602	WAVE 2x39W T16	258x1005x55																	
82604	WAVE 2x54W T16	258x1305x55																	
82607	WAVE 2x80W T16	258x1605x55																	
82608	WAVE 4x14W T16	709x709x55																	








OSRAM: T5
PHILIPS: TL5

TOXON
(PENDANT LUMINAIRES)



- Steel base painted electrostatically in titan colour.
- Opal Plexi glass cover.
- Adjustable suspension from steel wire rope.

CODE				DESCRIPTION				DIMENSIONS				COLOUR				PRICE LIST			
												Electronic ballast							
827201	TOXON 2x54W T16	193x1230x87																	

Colour Codes:

- 1 White 2 Titan 3 Black 4 Chrome 5 matt Alum. 6 Gold 7 matt Gold 8 Bronze 9 Anodized