



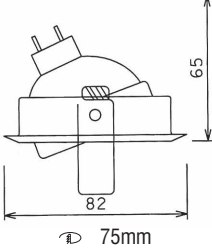
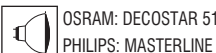





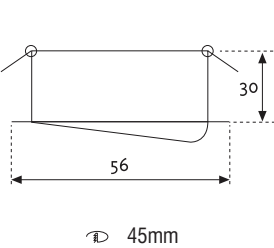
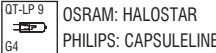
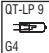




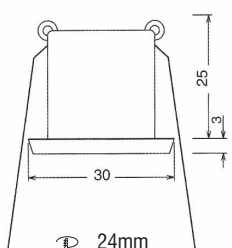

	<b>SPOT 10 (FIXED)</b> (DOWNLIGHTS)	
Diecast aluminium ring			  	
			<b>PRICE LIST</b>	
CODE	DESCRIPTION	COLOUR	Without Transformer	
881011	1x50W QR-CBC 51 / GU5.3	107 white		+ Transformer Selection 12V
881012	1x50W QR-CBC 51 / GU5.3	titan		+ Transformer Selection 12V
881013	1x50W QR-CBC 51 / GU5.3	102 black		+ Transformer Selection 12V
881014	1x50W QR-CBC 51 / GU5.3	101 chrome		+ Transformer Selection 12V
881015	1x50W QR-CBC 51 / GU5.3	105 matt Alum.		+ Transformer Selection 12V
881016	1x50W QR-CBC 51 / GU5.3	106 gold		+ Transformer Selection 12V
881017	1x50W QR-CBC 51 / GU5.3	109 matt gold		+ Transformer Selection 12V


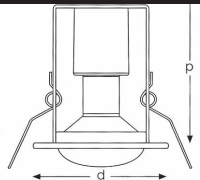


The preceding luminaires are also available with GU10 porcelain lampholder **Code: 808101** for PAR 16 lamps with burden on the **PRICE LIST: €**

		 	<b>SPOT 15 (ADJUSTABLE)</b> (DOWNLIGHTS)	
Diecast aluminium ring			  	
			<b>PRICE LIST</b>	
CODE	DESCRIPTION	COLOUR	Without Transformer	
881031	1x50W QR-CBC 51 / GU5.3	157 white		+ Transformer Selection 12V
881032	1x50W QR-CBC 51 / GU5.3	titan		+ Transformer Selection 12V
881033	1x50W QR-CBC 51 / GU5.3	152 black		+ Transformer Selection 12V
881034	1x50W QR-CBC 51 / GU5.3	151 chrome		+ Transformer Selection 12V
881035	1x50W QR-CBC 51 / GU5.3	155 matt Alum.		+ Transformer Selection 12V
881036	1x50W QR-CBC 51 / GU5.3	156 gold		+ Transformer Selection 12V
881037	1x50W QR-CBC 51 / GU5.3	159 matt gold		+ Transformer Selection 12V

The preceding luminaires are also available with GU10 porcelain lampholder **Code: 808101** for PAR 16 lamps with burden on the **PRICE LIST: €**

		 	<b>MINIOR (adjustable)</b> (DOWNLIGHTS)	
Diecast aluminium ring.			  	
			<b>PRICE LIST</b>	
CODE	DESCRIPTION	COLOUR	Without Transformer	
883014	MINIOR 1x20W QT-LP 9 / G4	Chrome		+ Transformer Selection 12V
883015	MINIOR 1x20W QT-LP 9 / G4	matt Alum.		+ Transformer Selection 12V

				<p>QT-LP 9 OSRAM: HALOSTAR G4 PHILIPS: CAPSULELINE</p>		<p><b>50</b> (DOWNLIGHTS)</p>	
		<p>Diecast aluminium ring.</p>					
				PRICE LIST			
CODE	DESCRIPTION	COLOUR	Without Transformer				
881081	1x20W QT-LP 9 / G4	500 white			+ Transformer Selection 12V		
881083	1x20W QT-LP 9 / G4	502 black			+ Transformer Selection 12V		
881084	1x20W QT-LP 9 / G4	501 chrome			+ Transformer Selection 12V		
881085	1x20W QT-LP 9 / G4	505 matt Alum.			+ Transformer Selection 12V		
881086	1x20W QT-LP 9 / G4	506 gold			+ Transformer Selection 12V		
881087	1x20W QT-LP 9 / G4	509 matt gold			+ Transformer Selection 12V		

				<table border="1"> <thead> <tr> <th>Type</th> <th>d</th> <th>p</th> </tr> </thead> <tbody> <tr> <td>150</td> <td>90</td> <td>90</td> </tr> <tr> <td>163</td> <td>105</td> <td>105</td> </tr> <tr> <td>180</td> <td>135</td> <td>110</td> </tr> </tbody> </table>		Type	d	p	150	90	90	163	105	105	180	135	110	<p><b>SPOT 150 / 163 / 180</b> (DOWNLIGHTS)</p>	
Type	d	p																	
150	90	90																	
163	105	105																	
180	135	110																	
		<p>Diecast aluminium ring.</p>																	
				PRICE LIST															
CODE	DESCRIPTION	COLOUR																	
<b>SPOT 150</b>																			
881021	1x max.40W R50 / E14	1500 white																	
881023	1x max.40W R50 / E14	1502 black																	
881024	1x max.40W R50 / E14	1501 chrome																	
881025	1x max.40W R50 / E14	1505 matt Alum.																	
881026	1x max.40W R50 / E14	1503 gold																	
<b>SPOT 163</b>																			
881041	1x max.60W R63 / E27	1630 white																	
881043	1x max.60W R63 / E27	1632 black																	
881044	1x max.60W R63 / E27	1631 chrome																	
881045	1x max.60W R63 / E27	1635 matt Alum.																	
881046	1x max.60W R63 / E27	1633 gold																	
<b>SPOT 180</b>																			
881051	1x max.100W R80 / E27	1800 white																	
881053	1x max.100W R80 / E27	1802 black																	
881054	1x max.100W R80 / E27	1801 chrome																	
881055	1x max.100W R80 / E27	1805 matt Alum.																	
881056	1x max.100W R80 / E27	1803 gold																	

<b>SPOT 32</b>	<b>SPOT 34</b>			<b>SPOT 32 / SPOT 34</b> (DOWNLIGHTS)
			Steel body.	

			<b>PRICE LIST</b>	
CODE	DESCRIPTION	COLOUR	Without Transformer	
<b>SPOT 32</b>				
881061	1x max.20W QT-LP 9 / G4	320 white		+ Transformer Selection 12V
881063	1x max.20W QT-LP 9 / G4	321 chrome		+ Transformer Selection 12V
881064	1x max.20W QT-LP 9 / G4	325 matt Alum.		+ Transformer Selection 12V
881065	1x max.20W QT-LP 9 / G4	326 gold		+ Transformer Selection 12V
881066	1x max.20W QT-LP 9 / G4	329 matt gold		+ Transformer Selection 12V
<b>SPOT 34</b>				
881071	1x max.20W QT-LP 9 / G4	340 white		+ Transformer Selection 12V
881073	1x max.20W QT-LP 9 / G4	341 chrome		+ Transformer Selection 12V
881074	1x max.20W QT-LP 9 / G4	345 matt Alum.		+ Transformer Selection 12V
881075	1x max.20W QT-LP 9 / G4	346 gold		+ Transformer Selection 12V
881076	1x max.20W QT-LP 9 / G4	349 matt gold		+ Transformer Selection 12V

			<b>AXIO 60</b> (DOWNLIGHTS)
		Diecast aluminium ring.	

			<b>PRICE LIST</b>	
CODE	DESCRIPTION	COLOUR	Without Transformer	
886011	1x max.50W QT-LP 12 / GY 6,35	OS-AX6000-10 white		+ Transformer Selection 12V
886015	1x max.50W QT-LP 12 / GY 6,35	OS-AX6000-72 matt Alum.		+ Transformer Selection 12V

				<b>SKY</b> (RECESSED LED SPOT)
			<ul style="list-style-type: none"> <li>Aluminium body.</li> <li>Methacrylate sandblast louvre.</li> <li>Easy installation with clips</li> </ul>	

					<b>PRICE LIST</b>	
CODE	DESCRIPTION	HOLE (mm)	LED COLOUR	DRIVER		
88010	1 LED x 2,6W	Ø 40	Selection from table	Not Included		
					Driver Code: <b>800060</b>	

**LED Colour Codes:**

1 Cold 2 Warm 3 Neutral 4 Blue 5 Yellow 6 Red 7 Green