





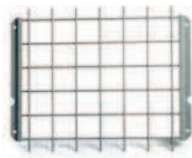
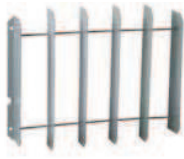


 OSRAM: HQI-T/NSI PHILIPS: HPI-T PLUS	 OSRAM: NAV-T PHILIPS: SON-T	MACH 5 Circular
Die cast aluminium body coated. Circular high intensity reflector with baffle to avoid the direct glare.						  
 						PRICE LIST
CODE	DESCRIPTION	COLOUR	Conventional Control Gear & Capacitor			
714232	For metal halide lamp 250-400W OSRAM HQI-T/NSI , PHILIPS HPI-T PLUS , SYLVANIA HSI-THX 1x250P HIT / E40	Grey				
714252	1x400P HIT / E40	Grey				
714222	For high pressure sodium lamp 1x250W HST / E40	Grey				
714262	1x400W HST / E40	Grey				


Note: the preceding luminaires are also available in **class II**.

		Protection grille. Zinc plated and steel coated in glazed silver colour.		MACH 5 - ACCESSORIES PROTECTION GRILLE	
PRICE LIST					
CODE	DESCRIPTION	COLOUR			
701310	PROTECTION GRILLE	60231	Silver		

		Protection louvre. Stainless steel coated in glazed silver colour, for MACH 5 Symmetrical .		MACH 5 - ACCESSORIES PROTECTION LOUVRE	
PRICE LIST					
CODE	DESCRIPTION	COLOUR			
701416	PROTECTION LOUVRE	60232	Silver		

		Circular louvre. Stainless steel coated in glazed silver colour, for MACH 5 Circular .		MACH 5 - ACCESSORIES CIRCULAR LOUVRE	
PRICE LIST					
CODE	DESCRIPTION	COLOUR			
701417	PROTECTION LOUVRE	60233	Silver		

		Stainless steel antiglare louvre, silver colour for the MACH 5 symmetrical optic.		MACH 5 - ACCESSORIES ANTIGLARE LOUVRE	
PRICE LIST					
CODE	DESCRIPTION	COLOUR			
701419	ANTIGLARE LOUVRE	60218	Silver		

		Anti-glare louvre. Stainless steel coated in glazed silver colour for the MACH 5 asymmetrical optic.		MACH 5 - ACCESSORIES ANTIGLARE LOUVRE	
PRICE LIST					
CODE	DESCRIPTION	COLOUR			
701418	ANTIGLARE LOUVRE	60234	Silver		

Colour Codes:

- 1 White
 2 Titan
 3 Black
 4 Chrome
 5 matt Alum.
 6 Gold
 7 matt Gold
 8 Bronze
 9 Anodized