


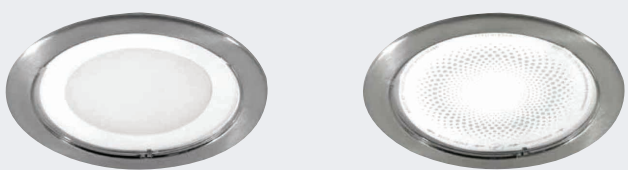
TC-D	OSRAM: DULUX D PHILIPS: PL-C	TC-DEL	OSRAM: DULUX D/E PHILIPS: PL-C/4P
------	---------------------------------	--------	--------------------------------------

LUNA ROUND 175 FLUO & LUNA ROUND 175 FLUO SV
(DOWNLIGHTS)

- Specular anodised aluminium reflector.
- Die cast aluminium inner ring.




DESCRIPTION		PRICE LIST			
		Conventional ballast and capacitor		Electronic ballast	
		CODE	PRICE	CODE	PRICE
1x13W TC-D / G24d-1 or TC-DEL / G24q-1	Without Ring & Glass	465102		465103	
1x18W TC-D / G24d-2 or TC-DEL / G24q-2	Without Ring & Glass	465112		465113	
1x26W TC-D / G24d-3 or TC-DEL / G24q-3	Without Ring & Glass	465122		465123	
2x13W TC-D / G24d-1 or TC-DEL / G24q-1	Without Ring & Glass	465132		465133	
2x18W TC-D / G24d-2 or TC-DEL / G24q-2	Without Ring & Glass	465142		465143	



Outer die cast aluminium ring with built-in glass.

LUNA ROUND 175 FLUO RING & GLASS
(DOWNLIGHTS)



PRICE LIST			
CODE	DESCRIPTION	GLASS	COLOUR
40020	LUNA ROUND RING 175	Silkscreen	White, Titan
40020	LUNA ROUND RING 175	Silkscreen	Chrome, matt Alum.
40022	LUNA ROUND RING 175	Mistlite	White, Titan
40022	LUNA ROUND RING 175	Mistlite	Chrome, matt Alum.



Outer die cast aluminium ring.


LUNA ROUND 175 FLUO SV RING
(DOWNLIGHTS)

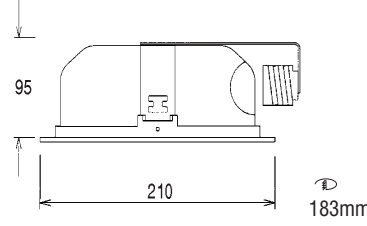


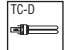
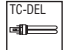
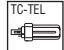
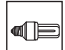
PRICE LIST			
CODE	DESCRIPTION	COLOUR	
40023	LUNA ROUND RING 175	White, Titan	
40023	LUNA ROUND RING 175	Chrome, matt Alum.	

Colour Codes:

- 1 White
 2 Titan
 3 Black
 4 Chrome
 5 matt Alum.
 6 Gold
 7 matt Gold
 8 Bronze
 9 Anodized







 OSRAM: DULUX D PHILIPS: PL-C	 OSRAM: DULUX D/E PHILIPS: PL-C/4P
 OSRAM: DULUX T / E PHILIPS: PL-T / 4P	 OSRAM: DULUX EL PHILIPS: PL-ELECTRONIC

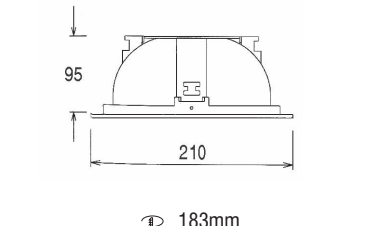
- Specular anodised aluminium reflector.
- Die cast aluminium inner ring.



LUNA ROUND 210 FLUO
(DOWNLIGHTS)



DESCRIPTION		PRICE LIST			
		Conventional ballast and capacitor		Electronic ballast	
		CODE	PRICE	CODE	PRICE
1x18W TC-D / G24d-2 or TC-DEL / G24q-2	Without Ring & Glass	466112		466113	
1x26W TC-D / G24d-3 or TC-DEL / G24q-3	Without Ring & Glass	466122		466123	
1x32W TC-TEL / GX24q-3	Without Ring & Glass			466133	
1x max.20W TC-TSE / E27 without control gear	Without Ring & Glass	466519			
2x13W TC-D / G24d-1 or TC-DEL / G24q-1	Without Ring & Glass	466152		466153	
2x18W TC-D / G24d-2 or TC-DEL / G24q-2	Without Ring & Glass	466162		466163	
2x26W TC-D / G24d-3 or TC-DEL / G24q-3	Without Ring & Glass	466172		466173	
2x32W TC-TEL / GX24q-3	Without Ring & Glass			466183	
2x max.20W TC-TSE / E27 without control gear	Without Ring & Glass	466529			






 OSRAM: HQI-TS, HCI-TS PHILIPS: MHN-TD, CDM-TD	 OSRAM: NAV-TS PHILIPS: -
--	---

- Matt anodized aluminium reflector.
- Die cast aluminium inner ring.

LUNA ROUND 210
(DOWNLIGHTS)



DESCRIPTION		PRICE LIST			
		Conventional Control Gear & Capacitor		Electronic Control Gear	
		CODE	PRICE	CODE	PRICE
1x 70W	HIT-DE or HST-DE / RX7s	466212		466213	
1x150W	HIT-DE or HST-DE / RX7s-24	466222		466223	



Outer die cast aluminium ring with built-in glass.

LUNA ROUND 210 & FLUO
RING & GLASS
(DOWNLIGHTS)



				PRICE LIST	
CODE	DESCRIPTION	GLASS	COLOUR		
40025	LUNA ROUND RING 210	Silkscreen	White, Titan		
40025	LUNA ROUND RING 210	Silkscreen	Chrome, matt Alum.		
40026	LUNA ROUND RING 210	Sandblast	White, Titan		
40026	LUNA ROUND RING 210	Sandblast	Chrome, matt Alum.		
40027	LUNA ROUND RING 210	Mistlite	White, Titan		
40027	LUNA ROUND RING 210	Mistlite	Chrome, matt Alum.		