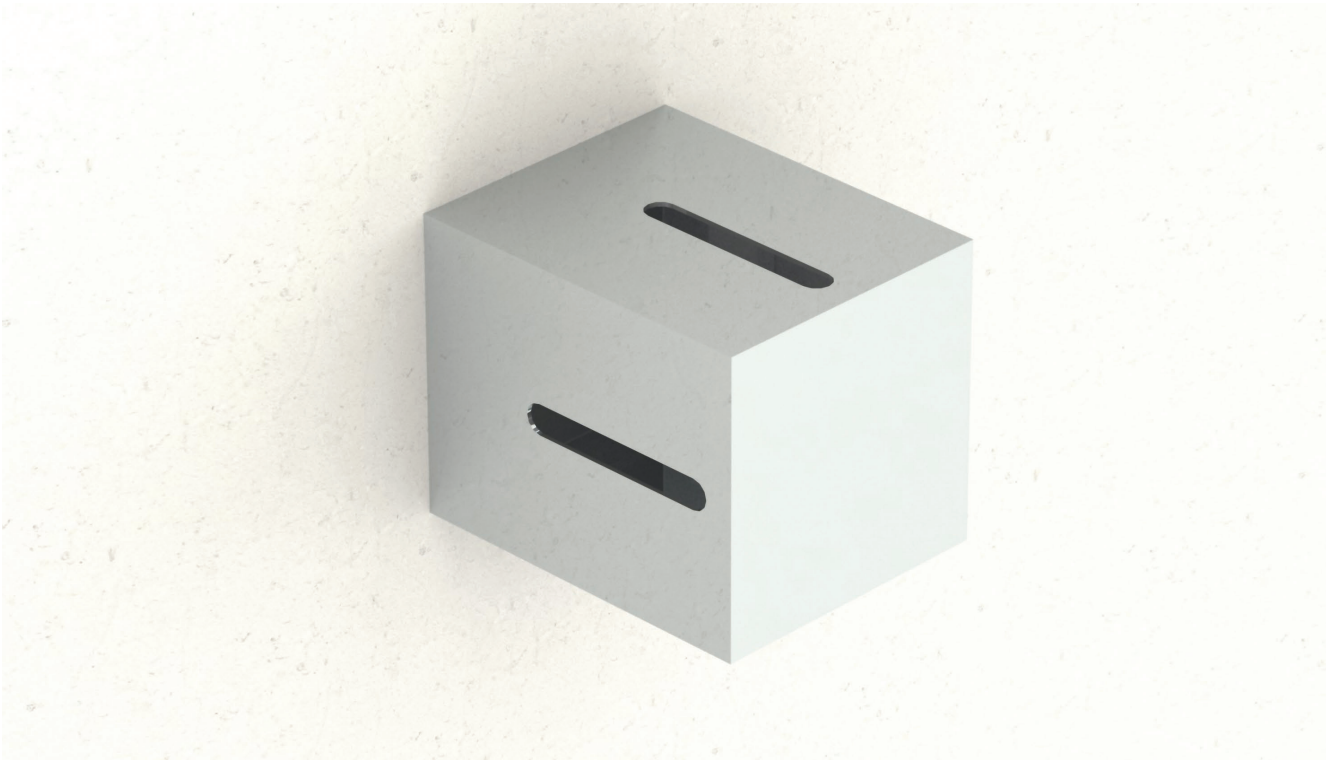


MINI BEAM



Surface wall mounted luminaire with halogen lamps, ideal for a wide range of indoor applications. Available with two to four-way light distribution and with different beam angles.

Technical Features

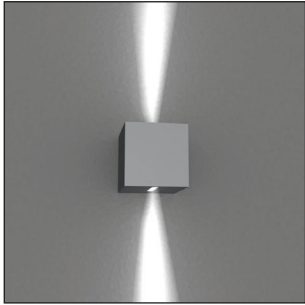
- Aluminium body, painted electrostatically in selected colour.
- Steel lampholder - mounting base.
- Tempered glass for wide beams.
- Easy - no tools - body mounting.
- Wide variety of beams.

Upon request

Special beam editions.

MINI BEAM

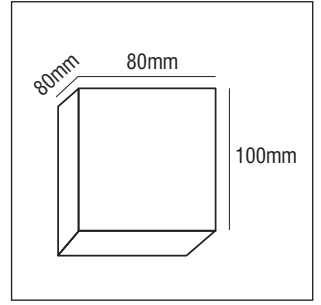
SPOT MINI BEAM - TWO WAY / Narrow Beam



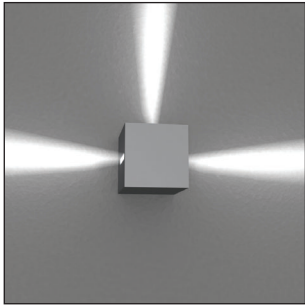
CE	F	IP 20
		Included
OSRAM: HALOPIN PHILIPS: CLICKLINE		
LED		

- For QT 14/G9 lamp.
- Aluminium body.

Code	Description	Kg
85703	G903 1x40W QT 14 / G9	0,300



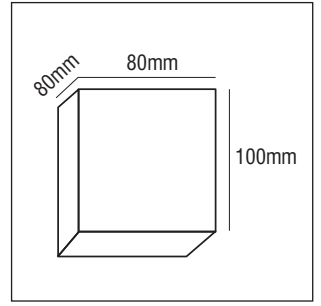
SPOT MINI BEAM - THREE WAY / Narrow Beam



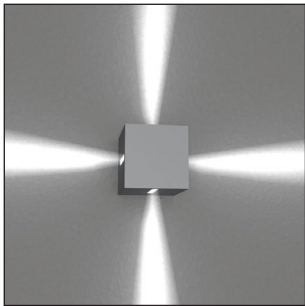
CE	F	IP 20
		Included
OSRAM: HALOPIN PHILIPS: CLICKLINE		
LED		

- For QT 14/G9 lamp.
- Aluminium body.

Code	Description	Kg
85704	G904 1x40W QT 14 / G9	0,300



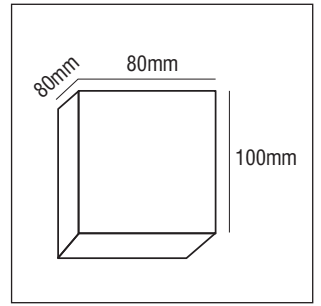
SPOT MINI BEAM - FOUR WAY CROSS / Narrow Beam



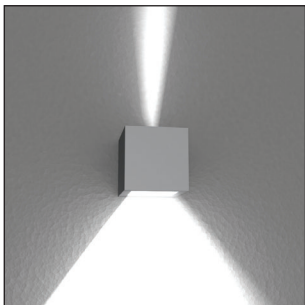
CE	F	IP 20
		Included
OSRAM: HALOPIN PHILIPS: CLICKLINE		
LED		

- For QT 14/G9 lamp.
- Aluminium body.

Code	Description	Kg
85705	G905 1x40W QT 14 / G9	0,300



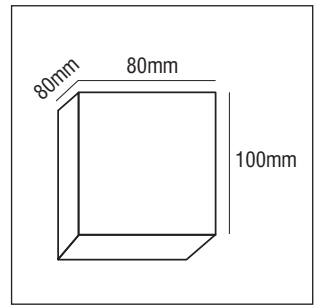
SPOT MINI BEAM - TWO WAY / Narrow / Wide Beam



CE	F	IP 20
		Included
OSRAM: HALOPIN PHILIPS: CLICKLINE		
LED		

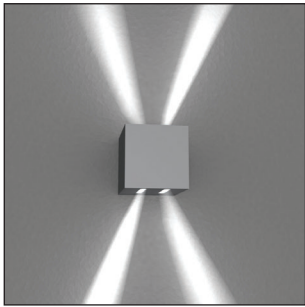
- For QT 14/G9 lamp.
- Aluminium body.
- Tempered protection glass.

Code	Description	Kg
85706	G908 1x40W QT 14 / G9	0,350



MINI BEAM

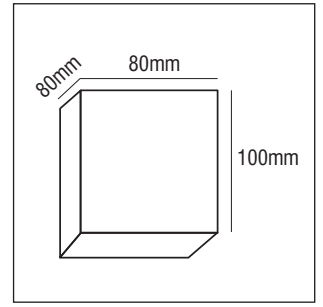
SPOT MINI BEAM - FOUR WAY / Narrow Beam



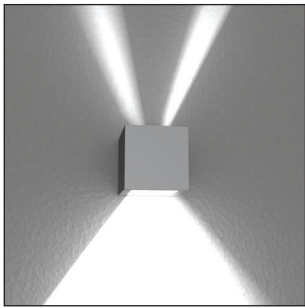
CE	F	IP 20
		Included
OSRAM: HALOPIN PHILIPS: CLICKLINE		
LED		

- For QT 14/G9 lamp.
- Aluminium body.

Code	Description	Kg
85707	G911 1x40W QT 14 / G9	0,300



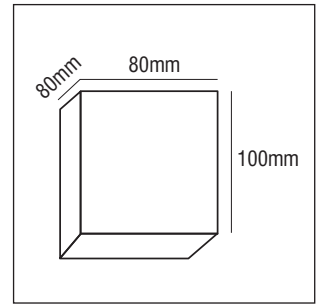
SPOT MINI BEAM - THREE WAY / 2 Narrow Beam - 1 Wide Beam



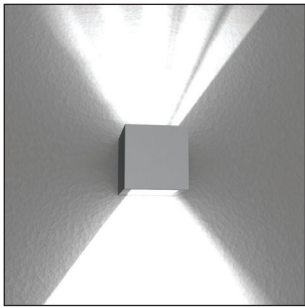
CE	F	IP 20
		Included
OSRAM: HALOPIN PHILIPS: CLICKLINE		
LED		

- For QT 14/G9 lamp.
- Aluminium body.
- Tempered protection glass.

Code	Description	Kg
85708	G912 1x40W QT 14 / G9	0,350



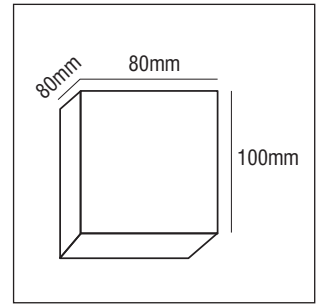
SPOT MINI BEAM - TWO WAY / Carre - Wide Beam



CE	F	IP 20
		Included
OSRAM: HALOPIN PHILIPS: CLICKLINE		
LED		

- For QT 14/G9 lamp.
- Aluminium body.
- Tempered protection glass.

Code	Description	Kg
85709	G912 1x40W QT 14 / G9	0,350



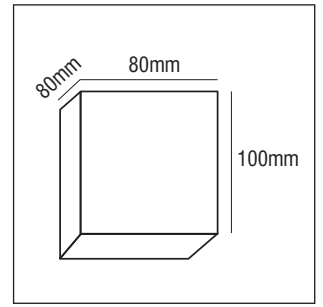
SPOT MINI BEAM - TWO WAY / Carre - Narrow Beam



CE	F	IP 20
		Included
OSRAM: HALOPIN PHILIPS: CLICKLINE		
LED		

- For QT 14/G9 lamp.
- Aluminium body.
- Tempered protection glass.

Code	Description	Kg
85710	G912 1x40W QT 14 / G9	0,350



Colour Codes:

- 0 Colours 1 White 2 Titan 3 Black 4 Chrome

