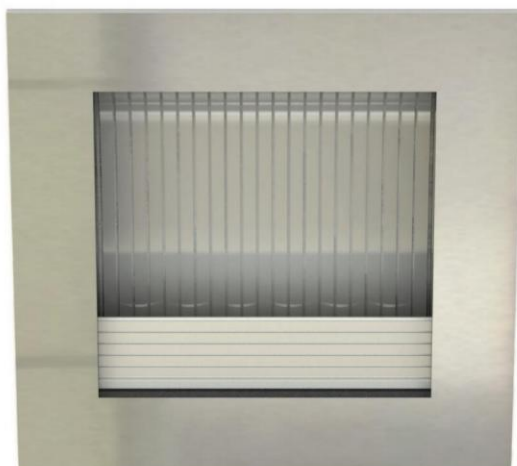


LED IND



LED IND embodies design and elegance. It's clear lines blend effortlessly into any interior design scheme. It breaks up strictly geometric vertical surfaces and creates refreshing lighting effects on floors and ceilings.

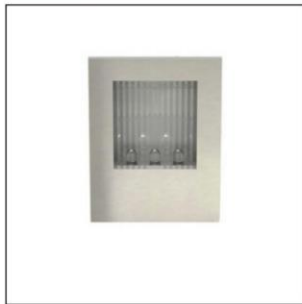
Technical Features

- Frame (flange) made of stainless steel.
- Recessed box from galvanized steel.
- Asymmetric reflector of high purity aluminium.
- Clear protection glass.
- Operation life: 50,000 hours with efficiency > 70% of the initial luminous flux.

- Connection for operation at 12V with conventional or electronic transformer

LED IND

LED IND 3



CE F IP 40

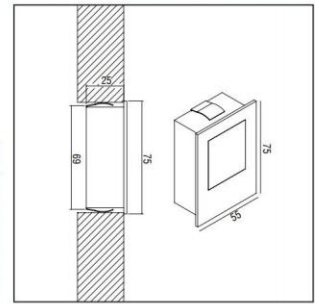
LED

ta 25°C

12V AC

- Steel body.
- Clear protective glass.
- Power consumption 0,5W - LED 3x...
- Body colour inox.

Code	Description	Kg
851315	LED IND 3 White	0,200
851325	LED IND 3 Red	0,200
851335	LED IND 3 Blue	0,200
851345	LED IND 3 Green	0,200
851355	LED IND 3 Yellow	0,200



- Galvanized steel outer casing for wall installation Code: 805203

LED IND 6



CE F IP 40

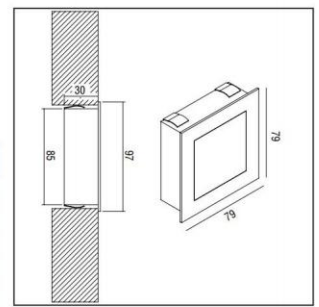
LED

ta 25°C

12V AC

- Steel body.
- Clear protective glass.
- Power consumption 1,2W - LED 6x...
- Body colour inox.

Code	Description	Kg
851365	LED IND 6 White	0,330
851375	LED IND 6 Red	0,330
851385	LED IND 6 Blue	0,330
851395	LED IND 6 Green	0,330
851405	LED IND 6 Yellow	0,330



- Galvanized steel outer casing for wall installation Code: 805204

TRANSFORMER 12V AC		
DESCRIPTION	WATT	CODE
MAGNETIC	1-50W	800001

