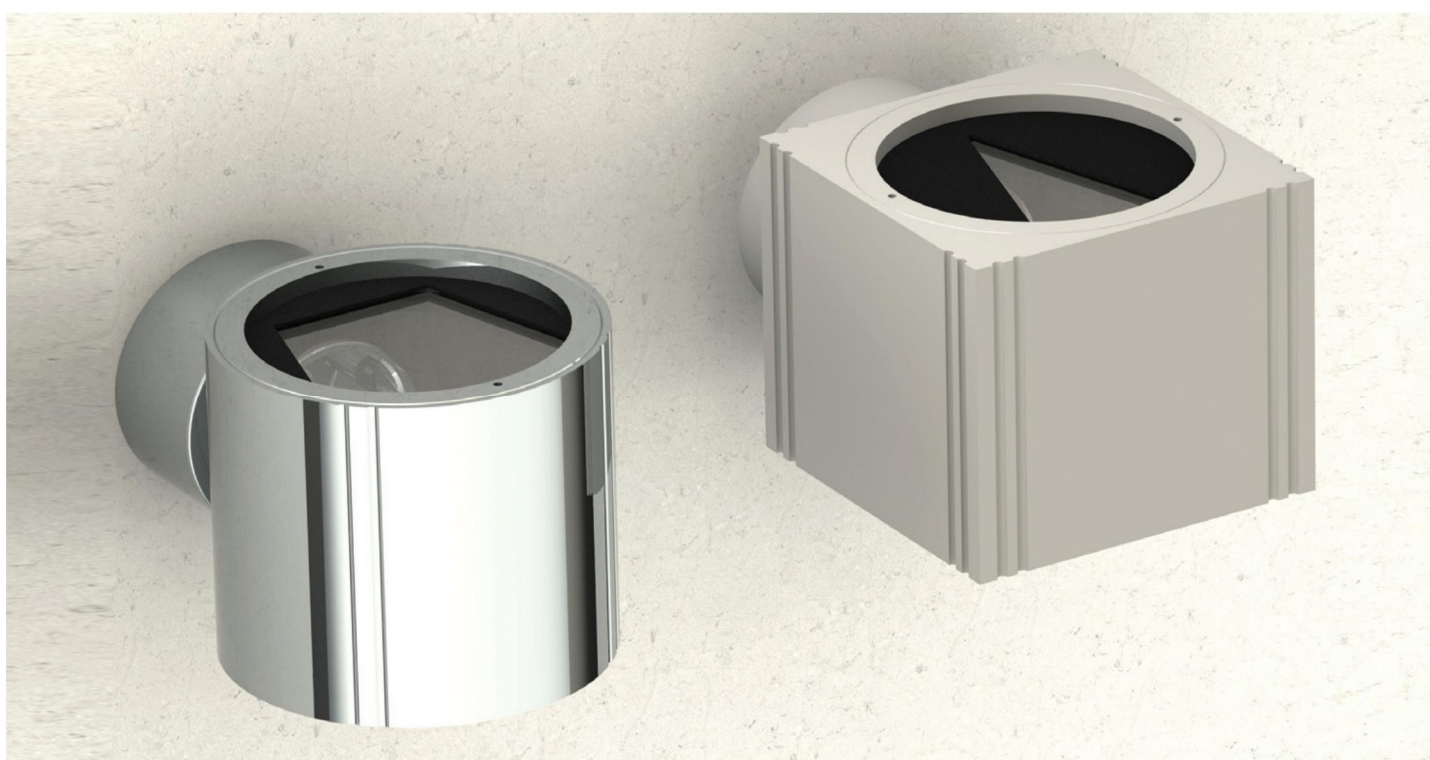


	PAGE
■ BEAM 1 / BEAM 2 IP65.....	442
■ BEAM 3 / BEAM 4 LED.....	446
■ BEAM 5 / BEAM 6 IP65.....	448
■ BEAM 5 / BEAM 6 LED IP65.....	450
■ BEAM7 LED IP65.....	452
■ PICO LED IP54.....	454
■ FOCUS.....	456
■ SLIM 3 - LED.....	460
■ SLIM 5.....	462
■ TUBE.....	464
■ TYCO.....	466
■ LED IND.....	470
■ LED MINI.....	472

BEAM 1 / BEAM 2 IP65

Surface wall mounted luminaire with halogen or fluorescent lamps. It is ideal for a wide range of outdoor applications due to its high protection degree IP65. Available with one or two-way light distribution and with different beam angles.

Technical Features

- Aluminium body, painted electrostatically in selected colour.
- Die-cast aluminium lampholder - mounting base.
- Tempered protection glass.
- Silicone sealant.
- Beam-angle configuration diaphragm made of aluminium.

Upon request

Special beam editions.

BEAM 1 / BEAM 2 IP65



BEAM 1 / BEAM 2 IP65



BEAM 3 / BEAM 4 LED



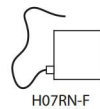
Surface wall mounted luminaire with power LED chip. It is ideal for a wide range of outdoor applications due to its high protection degree IP65. Available with one or two-way light distribution and with different beam angles.

Technical Features

- Aluminium body, painted electrostatically in selected colour.
- Mounting base from die-cast aluminium.
- Tempered protection glass.
- Beam distribution lens.
- Silicone sealant.
- Pure light without IR/UV radiation.
- From 3W with 300 Lumen up to 12W 900 Lumen.
- Operation life: 50,000 hours with efficiency > 70% of the initial luminous flux.

Upon request:

Available with highest colour rendering index (CRI)



To ensure the degree of protection (sealing), the use of flexible power supply cable type H07RN-F is required.

BEAM 3 / BEAM 4 LED

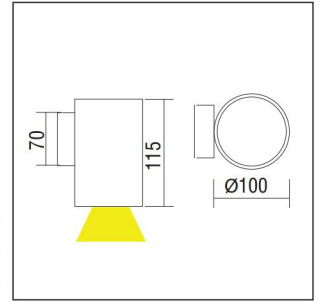
BEAM 3 - ONE WAY



CE	F	850°C	IP 65
LED	350/500mA	ta 25°C	

- Beams: Spot, Medium, Wide.
- 3x1W power consumption driven at 350mA.
- 3x2W power consumption driven at 500mA.
- Efficiency:
 - 3x1W: 4000 K: 321 Lumen, CRI: min. 75
 - 3x1W: 3000 K: 300 Lumen, CRI: min. 80
 - 3x2W: 4000 K: 450 Lumen, CRI: min. 75
 - 3x2W: 3000 K: 420 Lumen, CRI: min. 80
- Maximum: 107 Lm/W

Code	Description	Kg
85731	BEAM3 ONE WAY 3 LED x 1W (Integrated Control Gear)	1,600
85732	BEAM3 ONE WAY 3 LED x 2W (Integrated Control Gear)	1,600



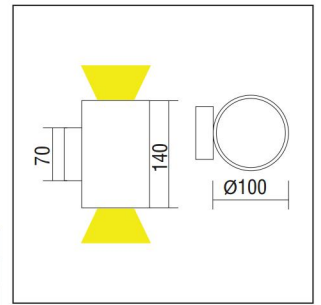
BEAM 3 - TWO WAY



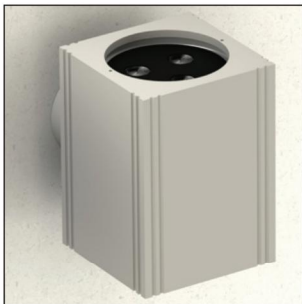
CE	F	850°C	IP 65
LED	350/500mA	ta 25°C	

- Beams: Spot, Medium, Wide.
- 6x1W power consumption driven at 350mA.
- 6x2W power consumption driven at 500mA.
- Efficiency:
 - 3+3x1W: 4000 K: 321+321 Lumen, CRI: min. 75
 - 3+3x1W: 3000 K: 300+300 Lumen, CRI: min. 80
 - 3+3x2W: 4000 K: 450+450 Lumen, CRI: min. 75
 - 3+3x2W: 3000 K: 420+420 Lumen, CRI: min. 80
- Maximum: 107 Lm/W

Code	Description	Kg
85736	BEAM3 3+3 LED x 1W (Integrated Control Gear)	2,000
85737	BEAM3 3+3 LED x 2W (Integrated Control Gear)	2,000



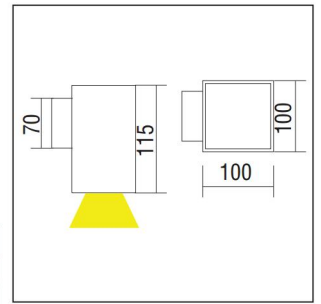
BEAM 4 - ONE WAY



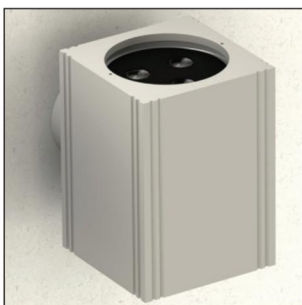
CE	F	850°C	IP 65
LED	350/500mA	ta 25°C	

- Beams: Spot, Medium, Wide.
- 3x1W power consumption driven at 350mA.
- 3x2W power consumption driven at 500mA.
- Efficiency:
 - 3x1W: 4000 K: 321 Lumen, CRI: min. 75
 - 3x1W: 3000 K: 300 Lumen, CRI: min. 80
 - 3x2W: 4000 K: 450 Lumen, CRI: min. 75
 - 3x2W: 3000 K: 420 Lumen, CRI: min. 80
- Maximum: 107 Lm/W

Code	Description	Kg
85741	BEAM4 ONE WAY 3 LED x 1W (Integrated Control Gear)	2,500
85742	BEAM4 ONE WAY 3 LED x 2W (Integrated Control Gear)	2,500



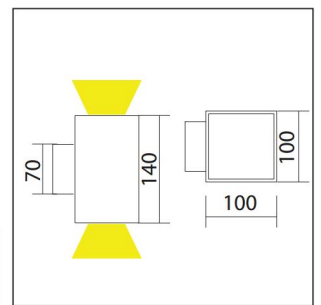
BEAM 4 - TWO WAY



CE	F	850°C	IP 65
LED	350/500mA	ta 25°C	

- Beams: Spot, Medium, Wide.
- 6x1W power consumption driven at 350mA.
- 6x2W power consumption driven at 500mA.
- Efficiency:
 - 3+3x1W: 4000 K: 321+321 Lumen, CRI: min. 75
 - 3+3x1W: 3000 K: 300+300 Lumen, CRI: min. 80
 - 3+3x2W: 4000 K: 450+450 Lumen, CRI: min. 75
 - 3+3x2W: 3000 K: 420+420 Lumen, CRI: min. 80
- Maximum: 107 Lm/W

Code	Description	Kg
85746	BEAM4 3+3 LED x 1W (Integrated Control Gear)	2,900
85747	BEAM4 3+3 LED x 2W (Integrated Control Gear)	2,900



LED COLOUR CODES:

2 Warm 3 Neutral

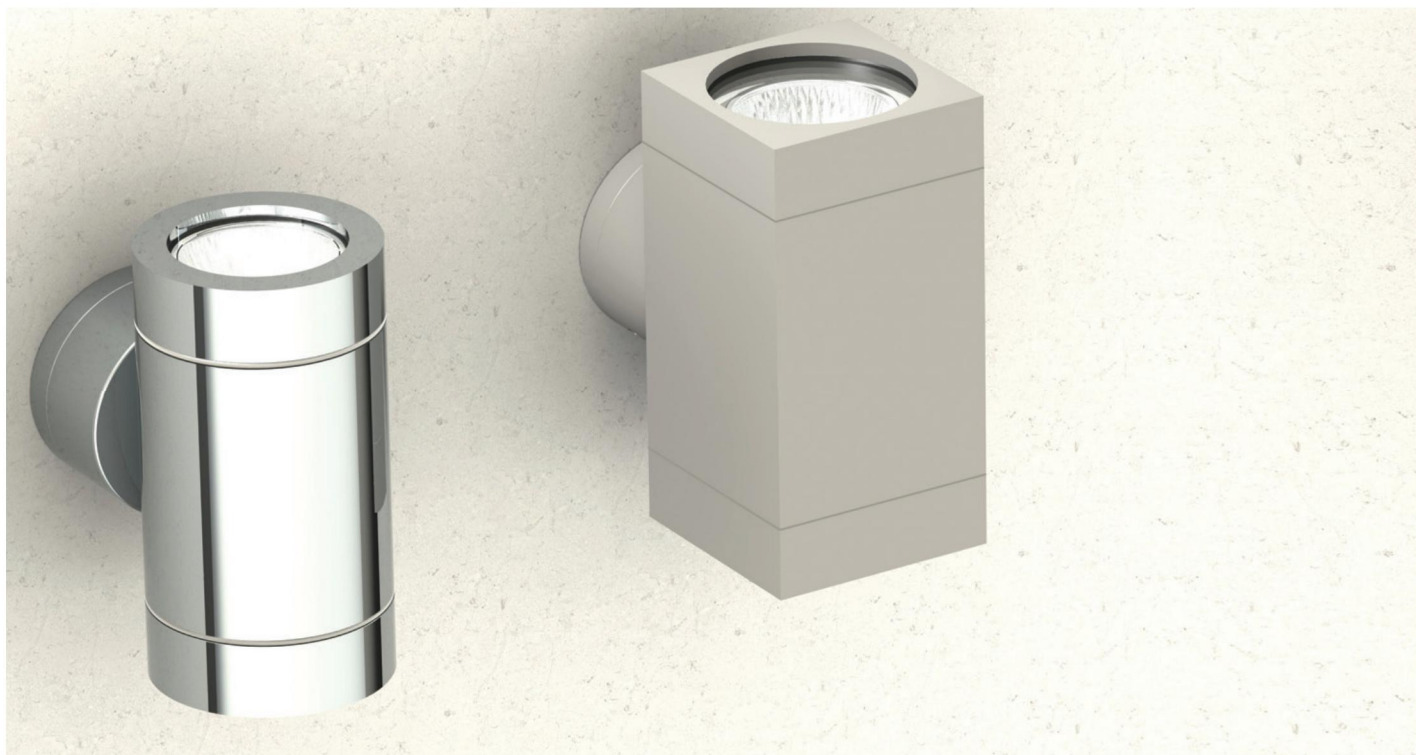
Beams Codes:

10 spot/spot 30 medium/medium 45 wide/wide 90 spot/medium 91 spot/wide 92 medium/wide

Colour Codes:

0 Colours 1 White 2 Titan 3 Black 4 Chrome 5 matt Alum.

BEAM 5 / BEAM 6 IP65



Surface wall mounted luminaire with halogen or led lamp. It is ideal for a wide range of outdoor applications due to it's high protection degree IP65. Available with one or two-way light distribution.

Technical Features

- Aluminium body, painted electrostatically in selected colour.
- Die-cast aluminium lampholder - mounting base.
- Tempered protection glass.
- Silicone sealant.

BEAM 5 / BEAM 6 IP65

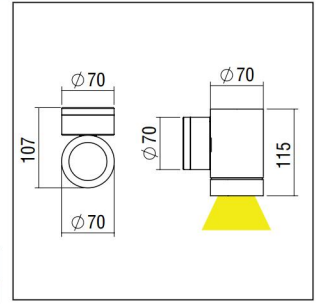
BEAM 5 - ONE WAY



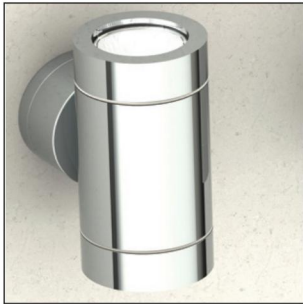
CE	F	850°C	IP 65
PAR 16	LED	FLUO	

- For PAR 16/GU10 lamp.
- Aluminium body.

Code	Description	Kg
85754	BEAM5 1x50W PAR16 (LED, FLUO) / GU10	0,530



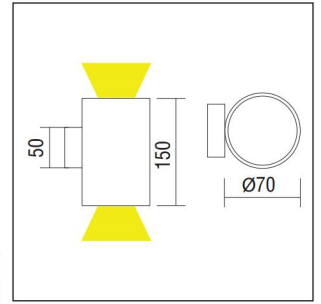
BEAM 5 - TWO WAY



CE	F	850°C	IP 65
PAR 16	LED	FLUO	

- For PAR 16/GU10 lamp.
- Aluminium body.

Code	Description	Kg
85755	BEAM5 2x50W PAR16 (LED, FLUO) / GU10	0,530



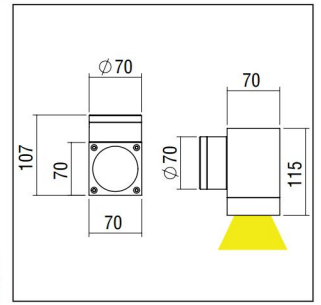
BEAM 6 - ONE WAY



CE	F	850°C	IP 65
PAR 16	LED	FLUO	

- For PAR 16/GU10 lamp.
- Aluminium body.

Code	Description	Kg
85769	BEAM6 1x50W PAR16 (LED, FLUO) / GU10	0,920



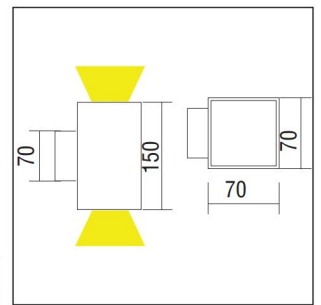
BEAM 6 - TWO WAY



CE	F	850°C	IP 65
PAR 16	LED	FLUO	

- For PAR 16/GU10 lamp.
- Aluminium body.

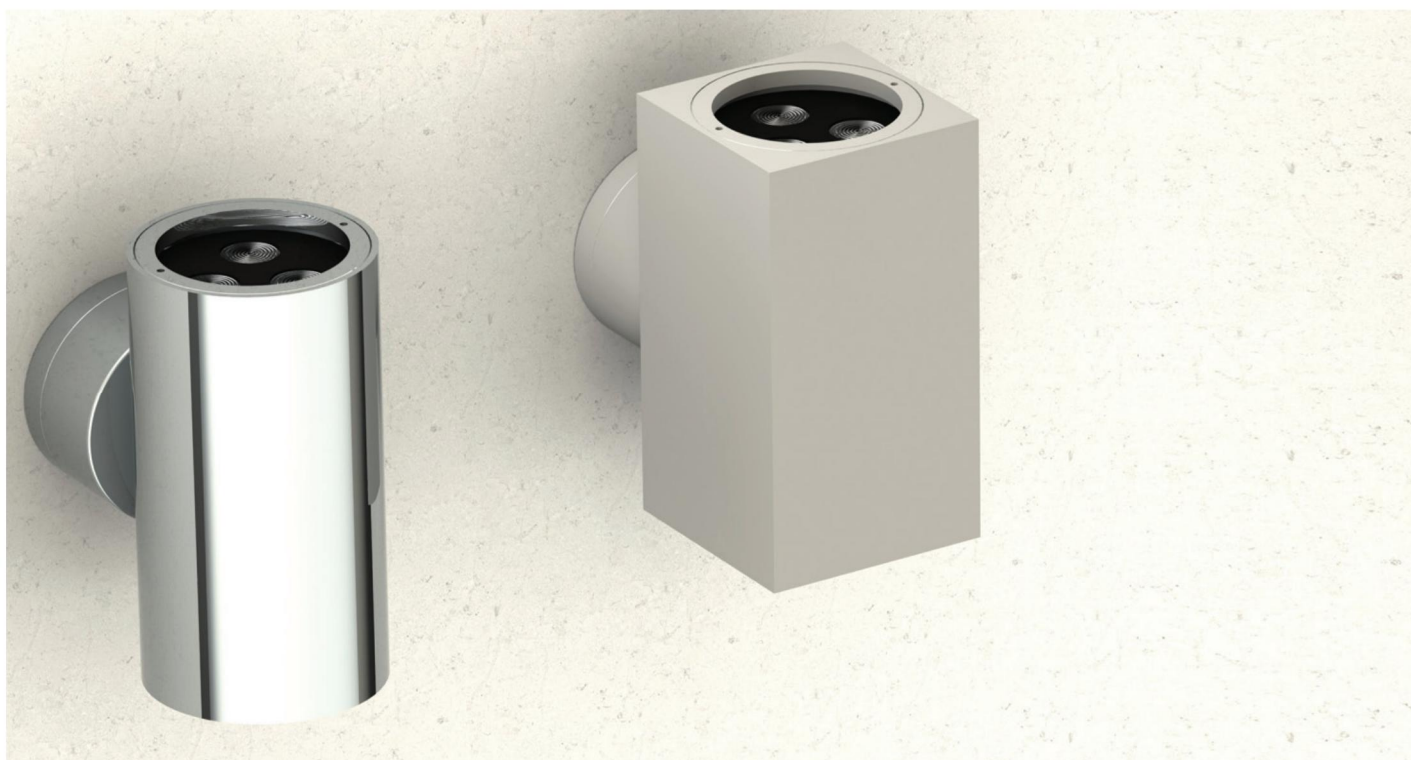
Code	Description	Kg
85768	BEAM6 2x50W PAR16 (LED, FLUO) / GU10	0,920



Colour Codes:

- 0 Colours 1 White 2 Titan 3 Black 4 Chrome

BEAM 5 / BEAM 6 LED IP65



Surface wall mounted luminaire with power LED chip. It is ideal for a wide range of outdoor applications due to its high protection degree IP65. Available with one or two-way light distribution and with different beam angles.

Technical Features

- Aluminium body, painted electrostatically in selected colour.
- Mounting base from die-cast aluminium.
- Tempered protection glass.
- Beam distribution lens.
- Silicone sealant.
- Pure light without IR/UV radiation.
- From 3W with 300 Lumen up to 12W 900 Lumen.
- Operation life: 50,000 hours with efficiency > 70% of the initial luminous flux.

Upon request:

Available with highest colour rendering index (CRI)



To ensure the degree of protection (sealing), the use of flexible power supply cable type H07RN-F is required.

BEAM 5 / BEAM 6 LED IP65

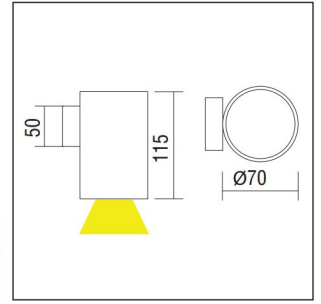
BEAM 5 - ONE WAY



CE	F	850°C	IP 65
LED	350/500mA	ta 25°C	

- Beams: Spot, Medium, Wide.
 - 3x1W power consumption driven at 350mA.
 3x2W power consumption driven at 500mA.
 - Efficiency:
 3x1W: 4000 K: 321 Lumen, CRI: min. 75
 3x1W: 3000 K: 300 Lumen, CRI: min. 80
 3x2W: 4000 K: 450 Lumen, CRI: min. 75
 3x2W: 3000 K: 420 Lumen, CRI: min. 80
 Maximum: 107 Lm/W

Code	Description	Kg
85751	BEAM5 ONE WAY 3 LED x 1W (Integrated Control Gear)	0,700
85752	BEAM5 ONE WAY 3 LED x 2W (Integrated Control Gear)	0,700



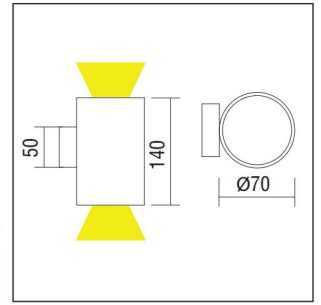
BEAM 5 - TWO WAY



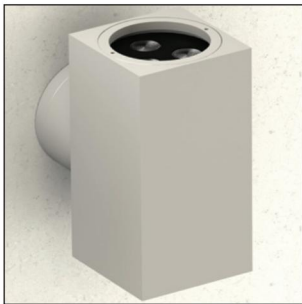
CE	F	850°C	IP 65
LED	350/500mA	ta 25°C	

- Beams: Spot, Medium, Wide.
 - 6x1W power consumption driven at 350mA.
 6x2W power consumption driven at 500mA.
 - Efficiency:
 3+3x1W: 4000 K: 321+321 Lumen, CRI: min. 75
 3+3x1W: 3000 K: 300+300 Lumen, CRI: min. 80
 3+3x2W: 4000 K: 450+450 Lumen, CRI: min. 75
 3+3x2W: 3000 K: 420+420 Lumen, CRI: min. 80
 Maximum: 107 Lm/W

Code	Description	Kg
85756	BEAM5 TWO WAY 3+3LED x1W (Integrated Control Gear)	1,000
85757	BEAM5 TWO WAY 3+3LED x2W (Integrated Control Gear)	1,000



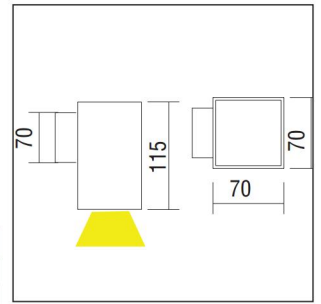
BEAM 6 - ONE WAY



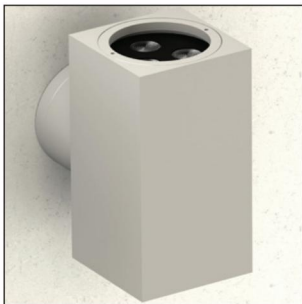
CE	F	850°C	IP 65
LED	350/500mA	ta 25°C	

- Beams: Spot, Medium, Wide.
 - 3x1W power consumption driven at 350mA.
 3x2W power consumption driven at 500mA.
 - Efficiency:
 3x1W: 4000 K: 321 Lumen, CRI: min. 75
 3x1W: 3000 K: 300 Lumen, CRI: min. 80
 3x2W: 4000 K: 450 Lumen, CRI: min. 75
 3x2W: 3000 K: 420 Lumen, CRI: min. 80
 Maximum: 107 Lm/W

Code	Description	Kg
85761	BEAM6 ONE WAY 3 LED x 1W (Integrated Control Gear)	1,200
85762	BEAM6 ONE WAY 3 LED x 2W (Integrated Control Gear)	1,200



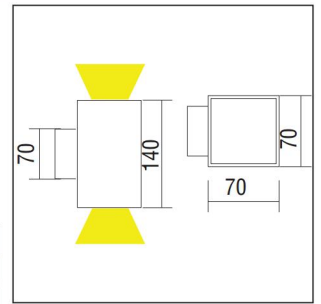
BEAM 6 - TWO WAY



CE	F	850°C	IP 65
LED	350/500mA	ta 25°C	

- Beams: Spot, Medium, Wide.
 - 6x1W power consumption driven at 350mA.
 6x2W power consumption driven at 500mA.
 - Efficiency:
 3+3x1W: 4000 K: 321+321 Lumen, CRI: min. 75
 3+3x1W: 3000 K: 300+300 Lumen, CRI: min. 80
 3+3x2W: 4000 K: 450+450 Lumen, CRI: min. 75
 3+3x2W: 3000 K: 420+420 Lumen, CRI: min. 80
 Maximum: 107 Lm/W

Code	Description	Kg
85766	BEAM6 TWO WAY 3+3LED x1W (Integrated Control Gear)	1,500
85767	BEAM6 TWO WAY 3+3LED x2W (Integrated Control Gear)	1,500



LED COLOUR CODES:

2 Warm 3 Neutral

Beams Codes:

10 spot/spot 30 medium/medium 45 wide/wide 90 spot/medium 91 spot/wide 92 medium/wide

Colour Codes:

0 Colours 1 White 2 Titan 3 Black 4 Chrome 5 matt Alum.

BEAM7 LED IP65

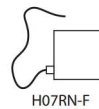
Surface wall mounted luminaire with power LED chip. It is ideal for a wide range of outdoor applications due to its high protection degree IP65. Available with one or two-way light distribution and with different beam angles.

Technical Features

- Aluminium body, painted electrostatically in selected colour.
- Mounting base from die-cast aluminium.
- Tempered protection glass.
- Beam distribution lens.
- Silicone sealant.
- Pure light without IR/UV radiation.
- From 3W with 300 Lumen up to 12W 900 Lumen.
- Operation life: 50,000 hours with efficiency > 70% of the initial luminous flux.

Upon request:

Available with highest colour rendering index (CRI)



To ensure the degree of protection (sealing), the use of flexible power supply cable type H07RN-F is required.

BEAM 7 LED IP65

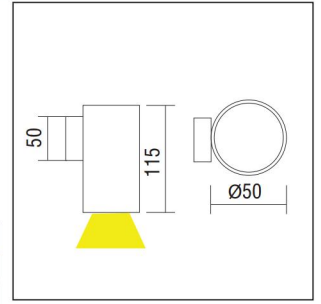
BEAM 7 - ONE WAY



CE	F	850°C	IP 65
LED	350/500mA	ta 25°C	

- Beams: Spot, Medium, Wide.
- 1x1W power consumption driven at 350mA.
- 1x2W power consumption driven at 500mA.
- Efficiency:
 - 1x1W: 4000 K: 321 Lumen, CRI: min. 75
 - 1x1W: 3000 K: 300 Lumen, CRI: min. 80
 - 1x2W: 4000 K: 450 Lumen, CRI: min. 75
 - 1x2W: 3000 K: 420 Lumen, CRI: min. 80
- Maximum: 107 Lm/W

Code	Description	Kg
85770	BEAM7 ONE WAY 1 LED x 1W (Integrated Control Gear)	0,500
85771	BEAM7 ONE WAY 1 LED x 2W (Integrated Control Gear)	0,500



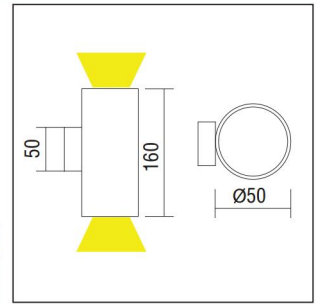
BEAM 7 - TWO WAY



CE	F	850°C	IP 65
LED	350/500mA	ta 25°C	

- Beams: Spot, Medium, Wide.
- 2x1W power consumption driven at 350mA.
- 2x2W power consumption driven at 500mA.
- Efficiency:
 - 1+1x1W: 4000 K: 107+107 Lumen, CRI: min. 75
 - 1+1x1W: 3000 K: 100+100 Lumen, CRI: min. 80
 - 1+1x2W: 4000 K: 150+150 Lumen, CRI: min. 75
 - 1+1x2W: 3000 K: 140+140 Lumen, CRI: min. 80
- Maximum: 107 Lm/W

Code	Description	Kg
85776	BEAM7 TWO WAY 1+1 LED x 1W (Integrated Control Gear)	0,650
85777	BEAM7 TWO WAY 1+1 LED x 2W (Integrated Control Gear)	0,650



LED COLOUR CODES:

2 Warm 3 Neutral

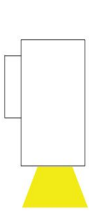
Beams Codes:

10 spot/spot 30 medium/medium 45 wide/wide 90 spot/medium 91 spot/wide 92 medium/wide

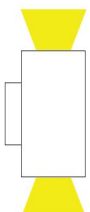
Colour Codes:

0 Colours 1 White 2 Titan 3 Black 4 Chrome 5 matt Alum.

Versions



BEAM 7 - ONE WAY
1/2W
OPTICS
S / M / W



BEAM 7 - TWO WAY
1+1/2+2W
OPTICS
S / M / W

PICO LED IP54



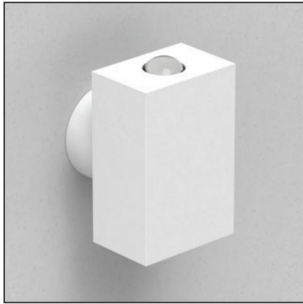
A tiny surface wall mounted luminaire with LED source. It is ideal for home facade lighting and it is available with one or two-way light distribution.

Technical Features

- Aluminium body, painted electrostatically in selected colour.
- Die-cast aluminium mounting base.
- Beam distribution glass lens.
- Pure light without IR/UV radiation.
- Operation life: 50,000 hours with efficiency > 70% of the initial luminous flux.

PICO LED IP54

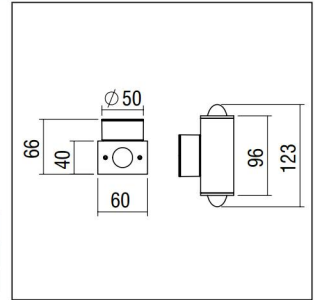
PICO - LED



CE	F	IP 54
LED	ta 25°C	350mA

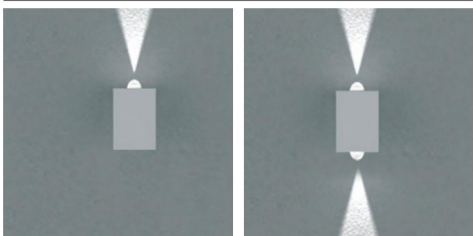
- Beams: Medium.
- Aluminium body.
- Glass lens.

Code	Description	Kg
85820	PICO ONE WAY 1x1W	0,250
85821	PICO TWO WAY 2x1W	0,300



LED COLOUR CODES: 2 Warm 3 Neutral	Beams Codes: 03 Wide	Colour Codes: 0 Colours 1 White 2 Titan 3 Black 4 Chrome 5 matt Alum.
----------------------------------------------	--------------------------------	---------------------------------------------------------------------------------

Versions



PICO LED 1W
ONE WAY
50°

PICO LED 1+1W
TWO WAY
50° / 50°



FOCUS



A floodlight with LED technology and high protection degree (IP67). It is ideal for outdoor lighting and for impressive highlighting of facades.

Technical Features

- Body from die-cast aluminium, painted electrostatically in selected colour.
- Beam distribution polycarbonate reflector.
- Tempered protection glass 5mm.
- Silicone sealant.
- Pure light without IR/UV radiation.
- Operation life: 50,000 hours with efficiency > 70% of the initial luminous flux.
- Supplied with 3x1mm NEOPRENE 1,5m cable.

Upon request:

Available with highest colour rendering index (CRI)

FOCUS

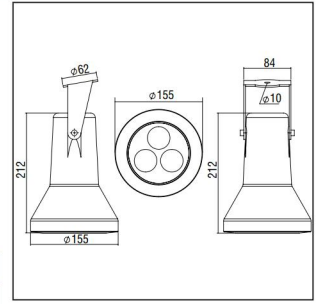
FOCUS



CE	F	850°C	IP 67
LED	3x350mA	ta 25°C	

- Beams: Medium, Wide.
- Aluminium body.
- Polycarbonate reflector.
- Tempered protection glass.
- Efficiency:
 - 50W: 5000 K: 4520 Lumen, CRI: min. 75
 - 50W: 4000 K: 3960 Lumen, CRI: min. 75
 - 50W: 3000 K: 3960 Lumen, CRI: min. 80

Code	Description	Kg
84727	FOCUS LED 50W	2,700



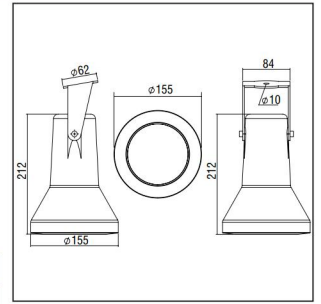
FOCUS



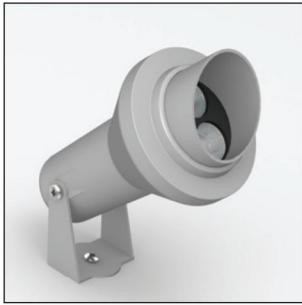
CE	F	850°C	IP 67
			Included

- Version for QR111/G53 and LED QR111/G53.
- Aluminium body.
- Tempered protection glass.

Code	Description	Kg
84703	FOCUS QR111 max.50W	2,700



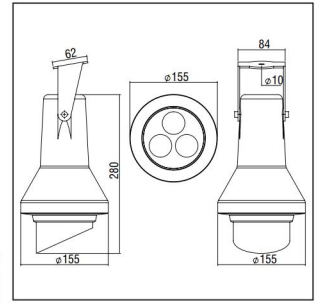
FOCUS - Antiglare



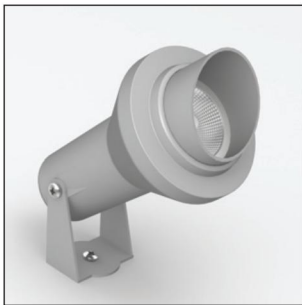
CE	F	850°C	IP 67
LED	3x350mA	ta 25°C	

- Beams: Medium, Wide.
- Aluminium body.
- Polycarbonate reflector.
- Tempered protection glass.
- Efficiency:
 - 50W: 5000 K: 4520 Lumen, CRI: min. 75
 - 50W: 4000 K: 3960 Lumen, CRI: min. 75
 - 50W: 3000 K: 3960 Lumen, CRI: min. 80

Code	Description	Kg
84747	FOCUS LED 50W (Antiglare)	3,200



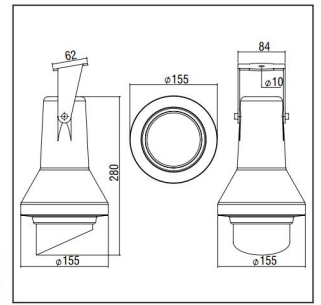
FOCUS - Antiglare



CE	F	850°C	IP 67
			Included

- Version for QR111/G53 and LED QR111/G53.
- Aluminium body.
- Tempered protection glass.

Code	Description	Kg
84704	FOCUS QR111 max.50W	3,200



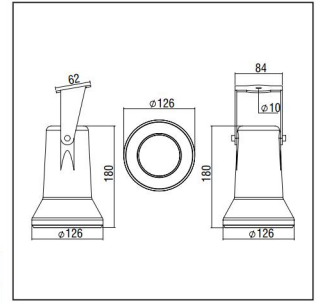
FOCUS

FOCUS MINI



CE	F	850°C	IP 67
LED	50000 HOURS WARRANTY	ta 25°C	350mA

- Beams: Spot, Wide.
 - Aluminium body.
 - Polycarbonate reflector.
 - Tempered protection glass.
 - Efficiency:
- 18W: 5000 K: 1500 Lumen, CRI: min. 75
 18W: 4000 K: 1320 Lumen, CRI: min. 75
 18W: 3000 K: 1320 Lumen, CRI: min. 80



Code	Description	Kg
84712	FOCUS MINI LED 18W	2,300

LED COLOUR CODES:

1 Cold	2 Warm	3 Neutral
--------	--------	-----------

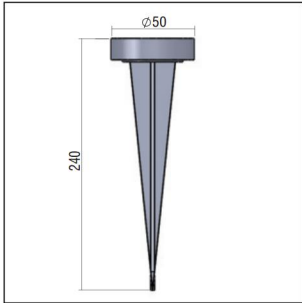
BEAM CODES:

01 spot	02 medium	03 wide
---------	-----------	---------

Colour Codes:

0 Colours	1 White	2 Titan	3 Black	6 Anthracite
-----------	---------	---------	---------	--------------

FOCUS ACCESSORY



CE	F		

- Aluminium picket.

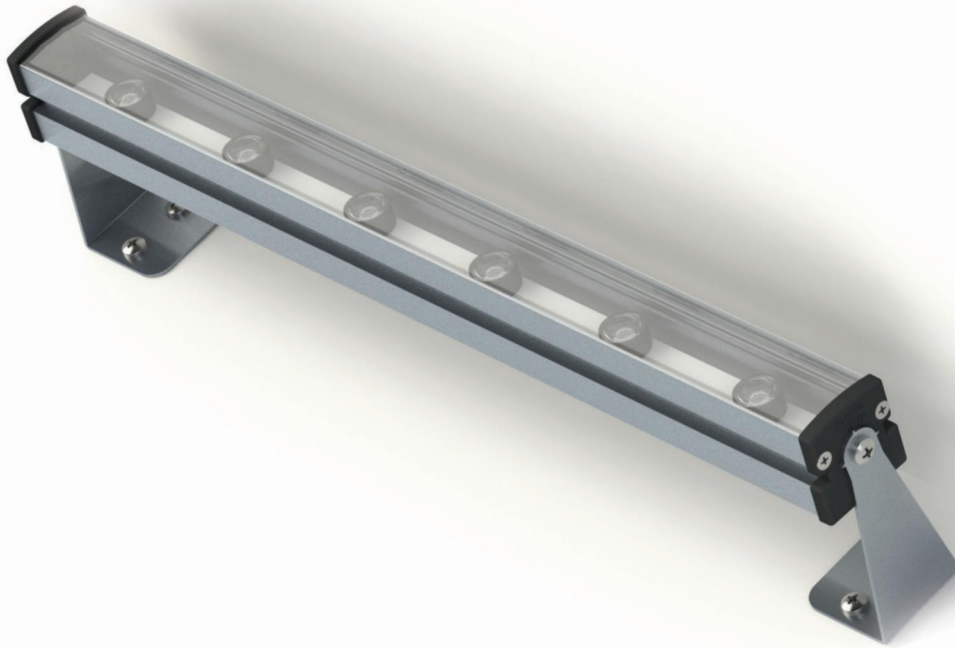
Code	Description	Kg
804605	Picket	0,500



FOCUS



SLIM 3 - LED



A linear LED luminaire which illuminates facades uniformly and emphasises their surfaces. Although buildings fade over time, the proper lighting can add value to them, highlight their uniqueness and make a lasting impression.

Technical Features

- Aluminium body.
- Beam distribution lens.
- Transparent PMMA profile cover.
- Silicone sealant.
- Pure light without IR/UV radiation.
- From 12W with 1285 Lumen up to 39W 4080 Lumen/m.
- Operation life: 50,000 hours with efficiency > 70% of the initial luminous flux.
- Supplied with 3x1mm NEOPRENE 1,5m cable.

Upon request:

Available with highest colour rendering index (CRI)

SLIM 3 - LED

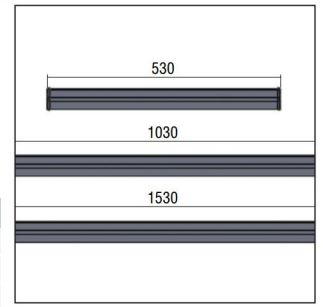
SLIM 3 - LED



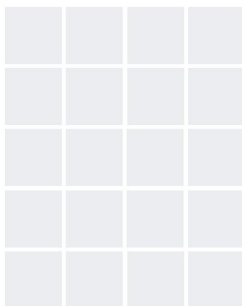
CE	F	850°C	IP 65
LED	350-1050mA	ta 25°C	

- Beams: Spot, Medium, Wide, WW.
- Aluminium body.
- PMMA cover.
- Efficiency:
 - 39W: 6000 K: 4080 Lumen, CRI: min. 75
 - 39W: 4000 K: 3360 Lumen, CRI: min. 75
 - 39W: 3000 K: 3360 Lumen, CRI: min. 80

Code	Description	Kg
812111	SLIM 3 LED 0,53m 21W (9-21W) Adjustable (1 driver required)	1,300
812221	SLIM 3 LED 1,03m 39W (14-39W) Adjustable (1 driver required)	1,800
812331	SLIM 3 LED 1,53m 65W (20-65W) Adjustable (2 drivers required)	2,300

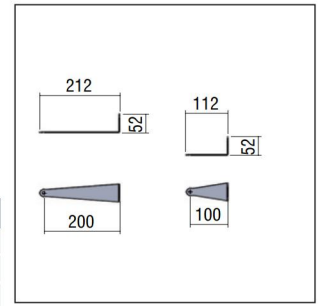


SLIM 3 - ACCESSORIES



- Aluminium brackets.

Code	Description	Kg
800041	DRIVER max. 50W	0,300
801101	Set aluminium brackets 10cm	0,300
801102	Set aluminium brackets 20cm	0,400



Led Colour:

- 1 Cold 2 Warm 3 Neutral

Beams Codes:

- 1 spot 2 medium 3 wide 4 WW

Colour Codes:

- 0 Colours 4 Anodized



SLIM 5



Slim is a professional ceiling luminaire available also in wall and suspension version. It is an efficient instrument which guarantees a minimal visual impact and an excellent soft and uniform luminosity with low energy consumption. It is available with 1 or 2 fluorescent lamps T16. The IP65 protection allows even external use. Applicable to light buildings, residential and industrial areas, internal churches or houses with particular decorative ceilings, adaptable to various architectural geometries.

Technical Features

- Aluminium body.
- High purity aluminium reflector.
- Tempered glass.
- Silicone gaskets.
- Hooks and brackets in stainless steel.
- Double nickel brass IP65 cable gland.
- Long duration in time event in particular sea salt and humidity conditions.

SLIM 5

SLIM 5



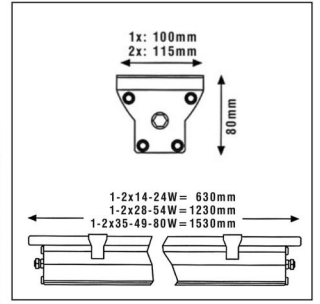
IP 65

OSRAM: T5
 PHILIPS: T15

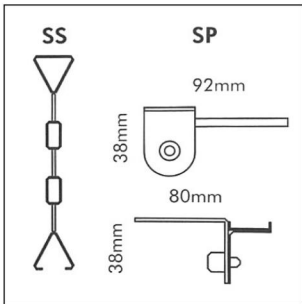
Included

- Aluminium body.
- High purity aluminium reflector.
- Tempered glass.
- Hooks and brackets in stainless steel.

Code	Description	Kg
852635	SLIM 5 1x14W T16	
852645	SLIM 5 2x14W T16	
852655	SLIM 5 1x24W T16	
852665	SLIM 5 2x24W T16	
852675	SLIM 5 1x28W T16	
852685	SLIM 5 2x28W T16	
852735	SLIM 5 1x54W T16	
852745	SLIM 5 2x54W T16	
852695	SLIM 5 1x35W T16	
852705	SLIM 5 2x35W T16	
852715	SLIM 5 1x49W T16	
852725	SLIM 5 2x49W T16	
852755	SLIM 5 1x80W T16	
852765	SLIM 5 2x80W T16	

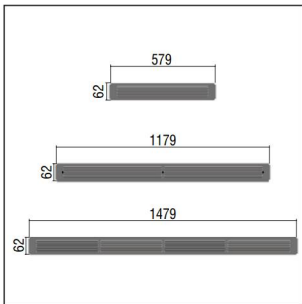


SLIM 3 - ACCESSORIES



- Stainless steel brackets.

Code	Description	Kg
805501	Suspension kit for 1-lamp luminaire SS 1x... (2 pieces set)	
805502	Suspension kit for 2-lamp luminaire SS 2x... (2 pieces set)	
805503	Bracket arm for wall mounting from stainless steel for 1-lamp luminaire SP 1x...	
805504	Bracket arm for wall mounting from stainless steel for 2-lamp luminaire SP 2x...	



- Aluminium blinds.

Code	Description	Kg
805505	Blinds Slim5 14/24W	
805506	Blinds Slim5 28/54W	
805507	Blinds Slim5 35/49/80W	

TUBE



A tubular luminaire with simple design and a wide light distribution. The IP67 protection allows even external use. Applicable to light buildings, residential and industrial areas, and adaptable to various architectural geometries and creative lighting applications.

Technical Features

- Clear or opal tube in polycarbonate, in four different lengths.
- Removable control gear.
- Plastic end caps with cable gland or blind plugs in plastics.
- Through wiring 3x1,5mm².
- Integrated electronic ballast.

For LED Version

- Pure light without IR/UV radiation.
- From 11W to 33W in 3 different lengths.
- 14° or 26° or 120° beam selection.
- Operation life: 50,000 hours with efficiency > 70% of the initial luminous flux.
- Connection for operation with 230V/50Hz.

TYCO



Wall mounted luminaire, with plain and accurate design, for outdoor applications.

Technical Features

- Aluminium body, painted electrostatically in selected colour.
- Sandblasted glass.
- Metal blind.
- Silicone sealant.

For LED Version

- Pure light without IR/UV radiation.
- 4W with 100 lm / Watt efficiency.
- Operation life: 50,000 hours with efficiency > 70% of the initial luminous flux.
- Connection for operation with 220-240V AC 0-50Hz.

TYCO

TYCO



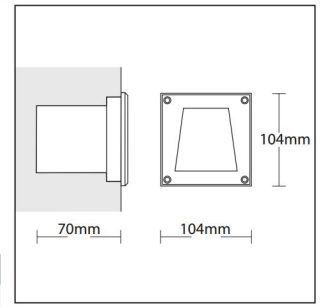
CE F IP 54

OSRAM HALOCTAR PHILIPS CAPSULELINE

12V AC

- Aluminium body.
- Sandblasted glass.
- Silicone sealant.

Code	Description	Kg
85702	Tyco S 1x20W QT-LP 9 / G4	0,400



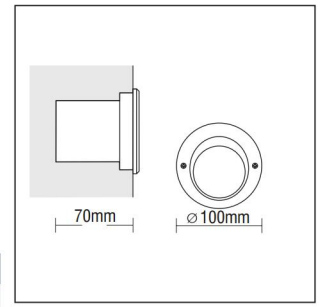
CE F IP 54

OSRAM HALOCTAR PHILIPS CAPSULELINE

12V AC

- Aluminium body.
- Sandblasted glass.
- Silicone sealant.

Code	Description	Kg
85701	Tyco R 1x20W QT-LP 9 / G4	0,400



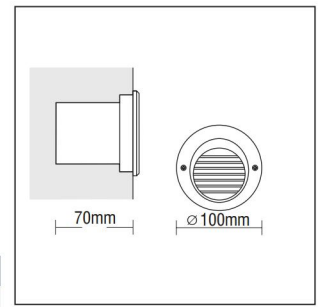
CE F IP 54

OSRAM HALOCTAR PHILIPS CAPSULELINE

12V AC

- Aluminium body.
- Sandblasted glass.
- Metal blind.
- Silicone sealant.

Code	Description	Kg
85799	Tyco RB 1x20W QT-LP 9 / G4	0,400



Colour Codes:

- 1 White 2 Titan 5 matt Alum.

TYCO

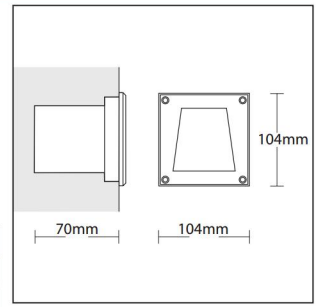
TYCO LED



CE	F	IP 54
D		
LED	ta 25°C	230V AC 50 Hz

- Aluminium body.
- Sandblasted glass.
- Silicone sealant.
- Power LED 230V AC/50Hz.
- Efficiency:
4W: 3000 K: 400 Lumen, CRI: min. 80
4W: 4000 K: 400 Lumen, CRI: min. 80

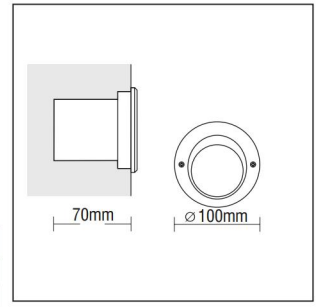
Code	Description	Kg
85795	Tyco S Led 4W 230V AC Warm	0,400
85796	Tyco S Led 4W 230V AC Neutral	0,400



CE	F	IP 54
D		
LED	ta 25°C	230V AC 50 Hz

- Aluminium body.
- Sandblasted glass.
- Silicone sealant.
- Power LED 230V AC/50Hz.
- Efficiency:
4W: 3000 K: 400 Lumen, CRI: min. 80
4W: 4000 K: 400 Lumen, CRI: min. 80

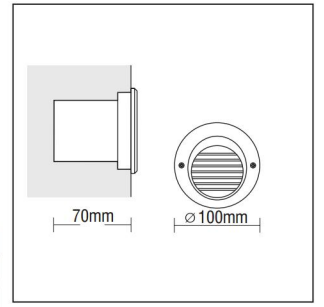
Code	Description	Kg
85797	Tyco R Led 4W 230V AC Warm	0,400
85798	Tyco R Led 4W 230V AC Neutral	0,400



CE	F	IP 54
D		
LED	ta 25°C	230V AC 50 Hz

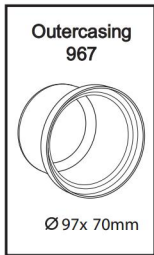
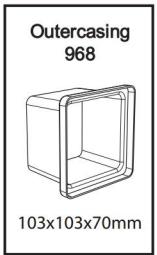
- Aluminium body.
- Sandblasted glass.
- Metal blind.
- Silicone sealant.
- Power LED 230V AC/50Hz.
- Efficiency:
4W: 3000 K: 400 Lumen, CRI: min. 80
4W: 4000 K: 400 Lumen, CRI: min. 80

Code	Description	Kg
85822	Tyco RB Led 4W 230V AC Warm	0,400
85823	Tyco RB Led 4W 230V AC Neutral	0,400



Colour Codes:

- 1 White 2 Titan 5 matt Alum.

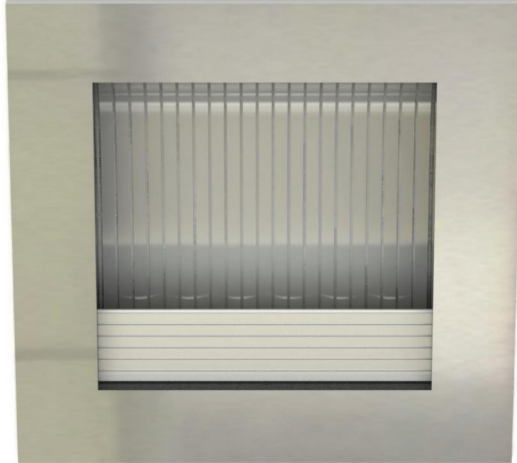


TRANSFORMERS 12V AC		
DESCRIPTION	WATT	CODE
ELECTRONIC	10-60W	800005
ELECTRONIC	10-70W	800006
ELECTRONIC	35-105W	800007

TYCO



LED IND



LED IND embodies design and elegance. It's clear lines blend effortlessly into any interior design scheme. It breaks up strictly geometric vertical surfaces and creates refreshing lighting effects on floors and ceilings.

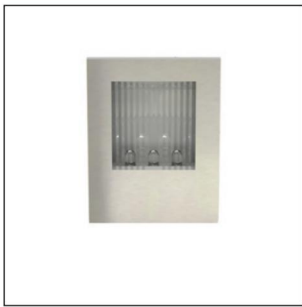
Technical Features

- Frame (flange) made of stainless steel.
- Recessed box from galvanized steel.
- Asymmetric reflector of high purity aluminium.
- Clear protection glass.
- Operation life: 50,000 hours with efficiency > 70% of the initial luminous flux.

- Connection for operation at 12V with conventional or electronic transformer

LED IND

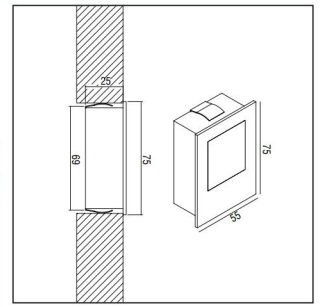
LED IND 3



CE	F	IP 40
LED	100% EEMC WARRANTY	ta 25°C
		12V AC

- Steel body.
- Clear protective glass.
- Power consumption 0,5W - LED 3x...
- Body colour inox.

Code	Description	Kg
851315	LED IND 3 White	0,200
851325	LED IND 3 Red	0,200
851335	LED IND 3 Blue	0,200
851345	LED IND 3 Green	0,200
851355	LED IND 3 Yellow	0,200



- Galvanized steel outer casing for wall installation Code: 805203

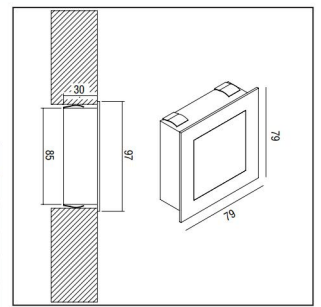
LED IND 6



CE	F	IP 40
LED	100% EEMC WARRANTY	ta 25°C
		12V AC

- Steel body.
- Clear protective glass.
- Power consumption 1,2W - LED 6x...
- Body colour inox.

Code	Description	Kg
851365	LED IND 6 White	0,330
851375	LED IND 6 Red	0,330
851385	LED IND 6 Blue	0,330
851395	LED IND 6 Green	0,330
851405	LED IND 6 Yellow	0,330



- Galvanized steel outer casing for wall installation Code: 805204

TRANSFORMER 12V AC		
DESCRIPTION	WATT	CODE
MAGNETIC	1-50W	800001



LED MINI



LED MINI embodies minimal design and LED technology. It blends effortlessly into any interior design scheme.

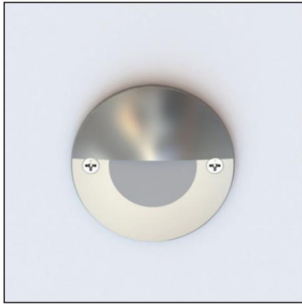
Technical Features

- Die-cast aluminium body.
- Plastic outer casing.
- Long life without maintenance.
- Opal or clear protected glass.
- Operation life: 50,000 hours with efficiency > 70% of the initial luminous flux.

- Connection for operation at 12V with conventional or electronic transformer.

LED MINI

LED MINI SEMI CIRCULAR



CE F IP 65

LED

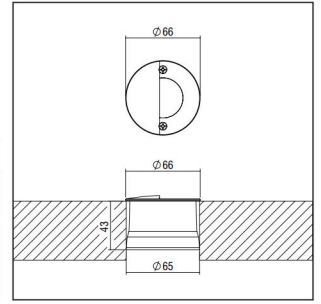
5 YEAR WARRANTY

ta 25°C

12V AC

- Aluminium body.
- Opal protective glass.
- Power consumption 1,6W - LED 5x...
- Body colour inox.

Code	Description	Kg
851115	LED MINI SEMI CIRCULAR White	0,250
851125	LED MINI SEMI CIRCULAR Red	0,250
851135	LED MINI SEMI CIRCULAR Blue	0,250
851145	LED MINI SEMI CIRCULAR Green	0,250
851155	LED MINI SEMI CIRCULAR Yellow	0,250



- For installation in false ceiling, the LED includes hook support Code: 805201

LED MINI CLEAR GLASS



CE F IP 65

LED

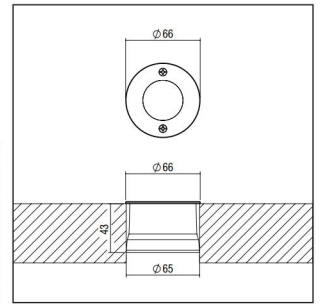
5 YEAR WARRANTY

ta 25°C

12V AC

- Aluminium body.
- Clear protective glass.
- Power consumption 1,6W - LED 9x...
- Body colour inox.

Code	Description	Kg
851265	LED MINI CLEAR GLASS White	0,250
851275	LED MINI CLEAR GLASS Red	0,250
851285	LED MINI CLEAR GLASS Blue	0,250
851295	LED MINI CLEAR GLASS Green	0,250
851305	LED MINI CLEAR GLASS Yellow	0,250



- For installation in false ceiling, the LED includes hook support Code: 805201

LED MINI OPAL GLASS



CE F IP 65

LED

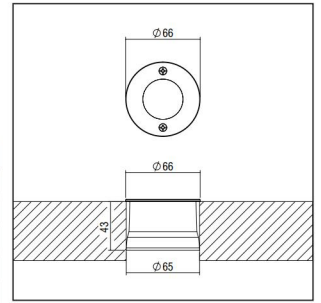
5 YEAR WARRANTY

ta 25°C

12V AC

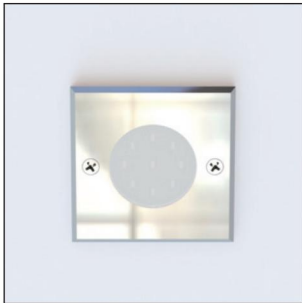
- Aluminium body.
- Opal protective glass.
- Power consumption 1,6W - LED 9x...
- Body colour inox.

Code	Description	Kg
851215	LED MINI OPAL GLASS White	0,250
851225	LED MINI OPAL GLASS Red	0,250
851235	LED MINI OPAL GLASS Blue	0,250
851245	LED MINI OPAL GLASS Green	0,250
851255	LED MINI OPAL GLASS Yellow	0,250



- For installation in false ceiling, the LED includes hook support Code: 805201

LED MINI SQUARE OPAL GLASS



CE F IP 65

LED

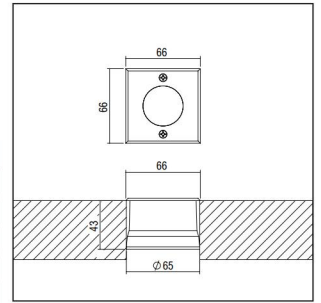
5 YEAR WARRANTY

ta 25°C

12V AC

- Aluminium body.
- Opal protective glass.
- Power consumption 1,6W - LED 9x...
- Body colour inox.

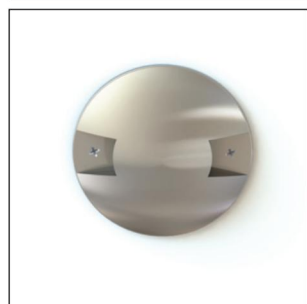
Code	Description	Kg
851015	LED MINI SQUARE OPAL GLASS White	0,250
851025	LED MINI SQUARE OPAL GLASS Red	0,250
851035	LED MINI SQUARE OPAL GLASS Blue	0,250
851045	LED MINI SQUARE OPAL GLASS Green	0,250
851055	LED MINI SQUARE OPAL GLASS Yellow	0,250



- For installation in false ceiling, the LED includes hook support Code: 805201

LED MINI

LED MINI 2 WINDOWS



CE F IP 65

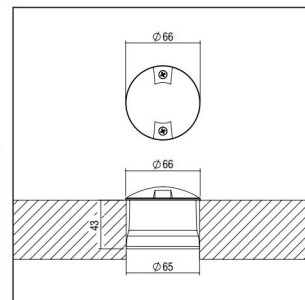
LED

ta 25°C

12V AC

- Aluminium body.
- Power consumption 1,6W - LED 4x...
- Body colour inox.

Code	Description	Kg
851065	LED MINI 2 WINDOWS White	0,250
851075	LED MINI 2 WINDOWS Red	0,250
851085	LED MINI 2 WINDOWS Blue	0,250
851095	LED MINI 2 WINDOWS Green	0,250
851105	LED MINI 2 WINDOWS Yellow	0,250



- For installation in false ceiling, the LED includes hook support Code: 805201

LED MINI 8 WINDOWS



CE F IP 65

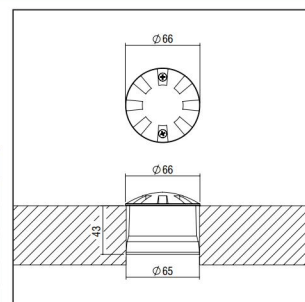
LED

ta 25°C

12V AC

- Aluminium body.
- Power consumption 1,6W - LED 8x...
- Body colour inox.

Code	Description	Kg
851165	LED MINI 8 WINDOWS White	0,250
851175	LED MINI 8 WINDOWS Red	0,250
851185	LED MINI 8 WINDOWS Blue	0,250
851195	LED MINI 8 WINDOWS Green	0,250
851205	LED MINI 8 WINDOWS Yellow	0,250



- For installation in false ceiling, the LED includes hook support Code: 805201

TRANSFORMER 12V AC		
DESCRIPTION	WATT	CODE
MAGNETIC	1-50W	800001