

	PAGE
■ <b>IVI</b> .....	<b>216</b>
■ <b>MINI APPLIQUES</b> .....	<b>218</b>
■ <b>MINI BEAM</b> .....	<b>220</b>
■ <b>BEAM 20</b> .....	<b>224</b>
■ <b>BEAM 1 / BEAM 2 IP40</b> .....	<b>226</b>

**IVI**

---



---

Surface wall mounted luminaire with T16 lamps, ideal for a wide range of indoor applications. Available in three different lengths. It is suitable for areas where soft, mostly indirect, illumination is required.

### Technical Features

---

- Aluminium body, painted electrostatically in selected colour.
- Steel mounting base.
- PMMA cover.

IVI

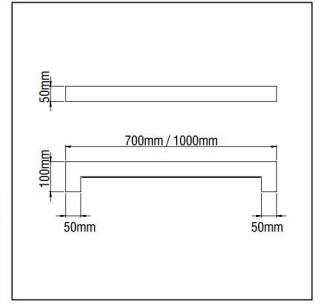
IVI



CE	F	IP 20
T16		Included
G5		

- For T16/G5 lamp.  
- Aluminium body.

Code	Description	Kg
85824	Ivi 1x14W T16 / G5	0,800
85825	Ivi 1x24W T16 / G5	0,800
85826	Ivi 1x21W T16 / G5	1,200



Colour Codes:

0 Colours 1 White 2 Titan 3 Black



## MINI APPLIQUES

---



---

Surface wall mounted luminaire with led chip, ideal for a wide range of indoor applications. Available in four different shapes. It is suitable for areas where soft illumination and more architectural style is required.

### Technical Features

---

- Aluminium body, painted electrostatically in selected colour.
- Steel mounting base.
- PMMA cover.
- Connection for operation with 230V/50Hz.
- 4W with 400 Lumen for each module.
- Operation life: 50,000 hours with efficiency > 70% of the initial luminous flux.

MINI APPLIQUES

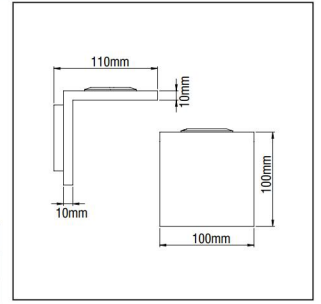
GEA



CE	F	IP 40
LED		

- For Led chip.
- Aluminium body.
- Satin PMMA cover.
- 230V/50Hz.

Code	Description	Kg
85827	Gea 1x4W Warm	
85828	Gea 1x4W Neutral	



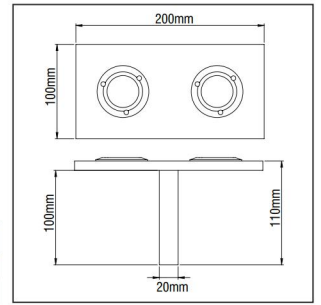
DIONI



CE	F	IP 40
LED		

- For Led chip.
- Aluminium body.
- Satin PMMA cover.
- 230V/50Hz.

Code	Description	Kg
85829	Dioni 2x4W Warm	
85830	Dioni 2x4W Neutral	



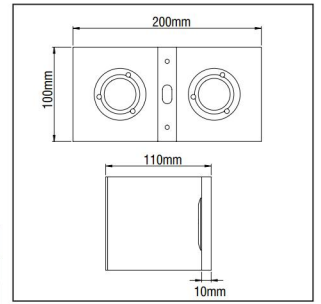
FIVI



CE	F	IP 40
LED		

- For Led chip.
- Aluminium body.
- Satin PMMA cover.
- 230V/50Hz.

Code	Description	Kg
85831	Fivi 2x4W Warm	
85832	Fivi 2x4W Neutral	



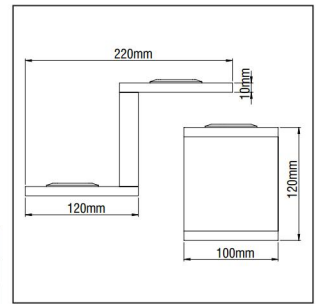
IRO



CE	F	IP 40
LED		

- For Led chip.
- Aluminium body.
- Satin PMMA cover.
- 230V/50Hz.

Code	Description	Kg
85833	Iro 2x4W Warm	
85834	Iro 2x4W Neutral	



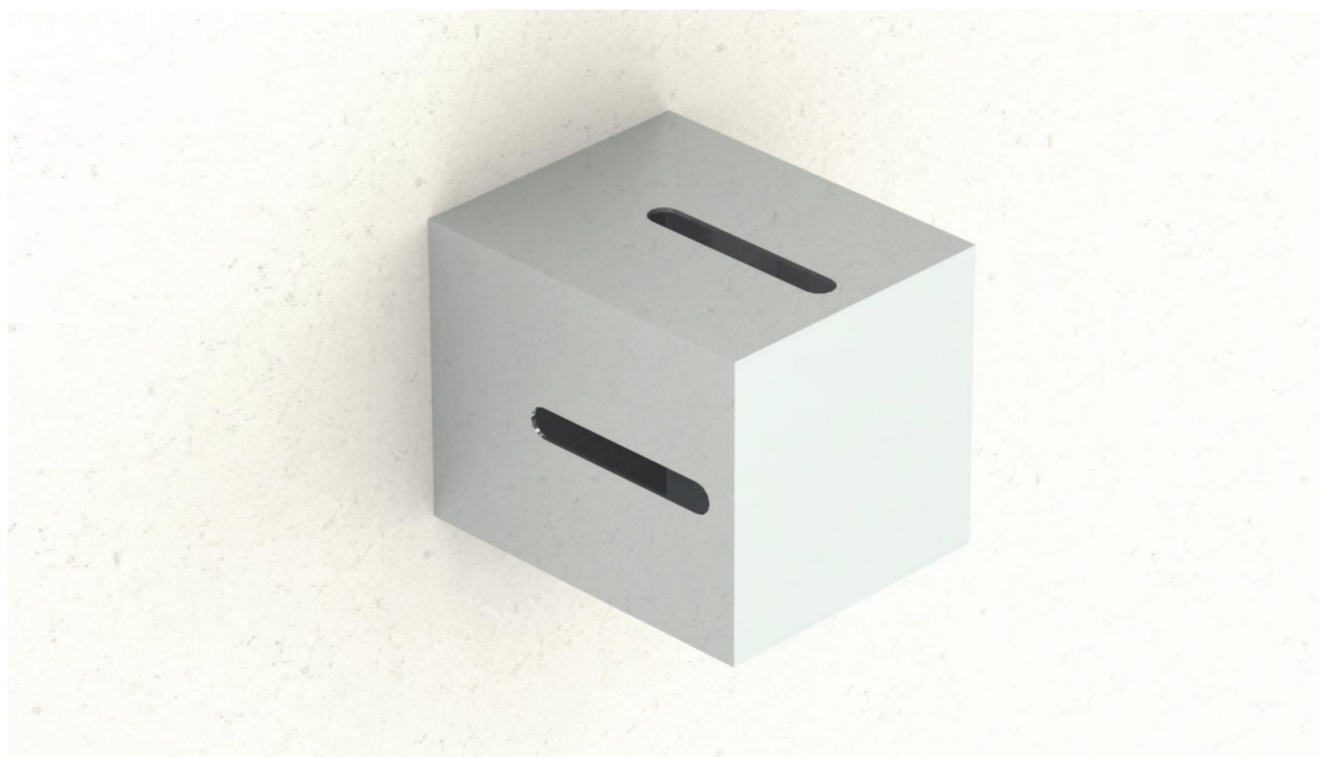
Colour Codes:

0 Colours 1 White 2 Titan 3 Black



**MINI BEAM**

---



---

Surface wall mounted luminaire with halogen lamps, ideal for a wide range of indoor applications. Available with two to four-way light distribution and with different beam angles.

**Technical Features**

---

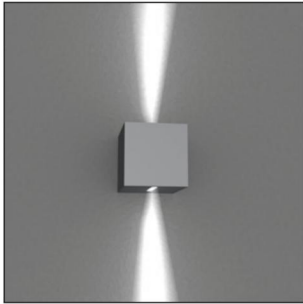
- Aluminium body, painted electrostatically in selected colour.
- Steel lampholder - mounting base.
- Tempered glass for wide beams.
- Easy - no tools - body mounting.
- Wide variety of beams.

**Upon request**

Special beam editions.

MINI BEAM

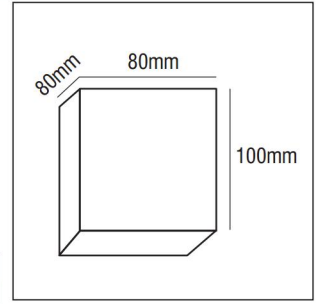
SPOT MINI BEAM - TWO WAY / Narrow Beam



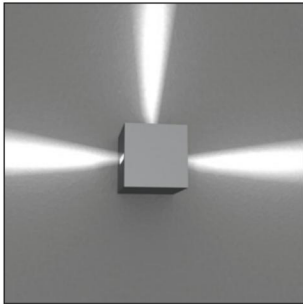
CE	F	IP 20
OSRAM: HALOPIN PHILIPS: CLICKLINE	LED	Included

- For QT 14/G9 lamp.
- Aluminium body.

Code	Description	Kg
85703	G903 1x40W QT 14 / G9	0,300



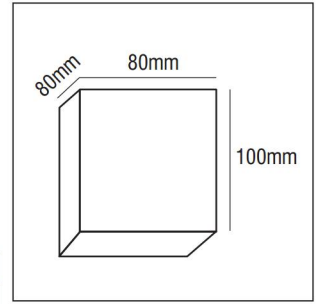
SPOT MINI BEAM - THREE WAY / Narrow Beam



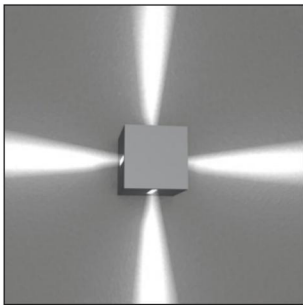
CE	F	IP 20
OSRAM: HALOPIN PHILIPS: CLICKLINE	LED	Included

- For QT 14/G9 lamp.
- Aluminium body.

Code	Description	Kg
85704	G904 1x40W QT 14 / G9	0,300



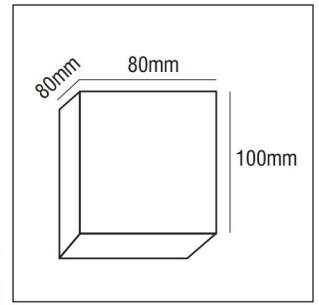
SPOT MINI BEAM - FOUR WAY CROSS / Narrow Beam



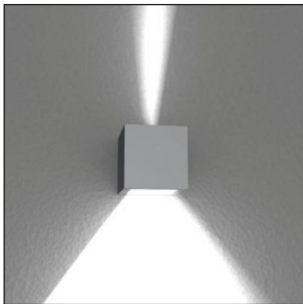
CE	F	IP 20
OSRAM: HALOPIN PHILIPS: CLICKLINE	LED	Included

- For QT 14/G9 lamp.
- Aluminium body.

Code	Description	Kg
85705	G905 1x40W QT 14 / G9	0,300



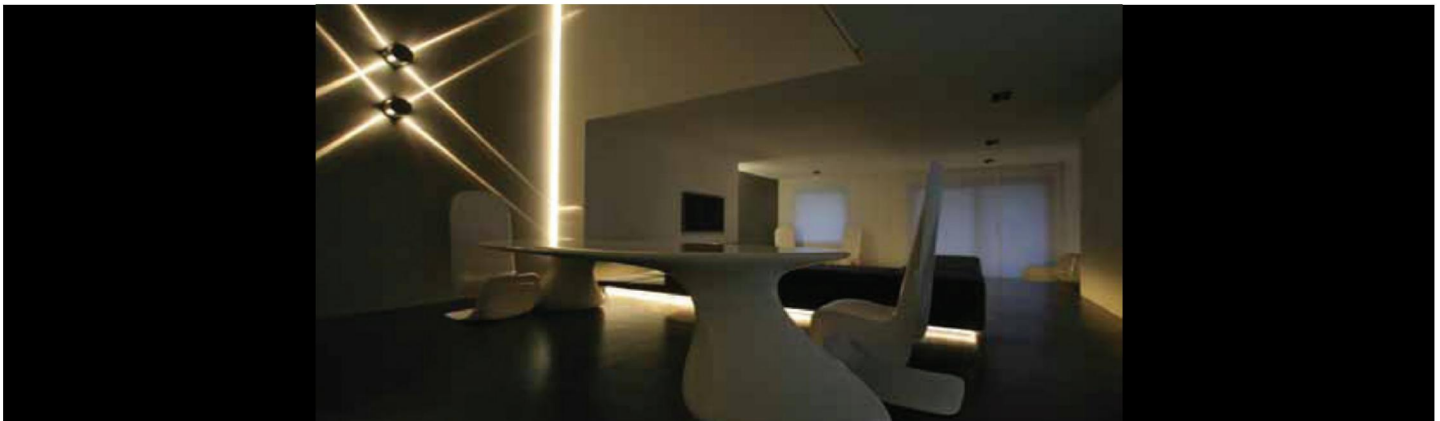
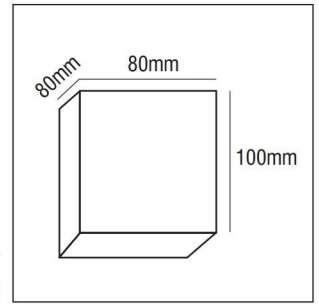
SPOT MINI BEAM - TWO WAY / Narrow / Wide Beam



CE	F	IP 20
OSRAM: HALOPIN PHILIPS: CLICKLINE	LED	Included

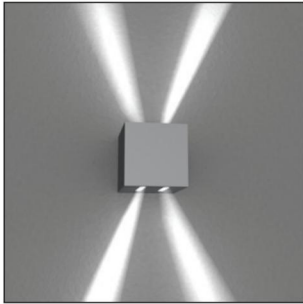
- For QT 14/G9 lamp.
- Aluminium body.
- Tempered protection glass.

Code	Description	Kg
85706	G908 1x40W QT 14 / G9	0,350



MINI BEAM

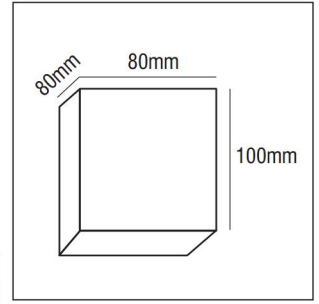
SPOT MINI BEAM - FOUR WAY / Narrow Beam



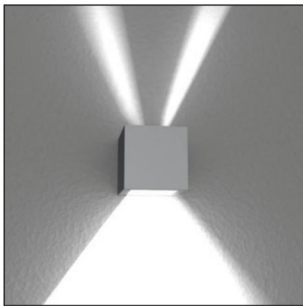
CE	F	IP 20
		Included
OSRAM: HALOPIN PHILIPS: CLICKLINE		
LED		

- For QT 14/G9 lamp.
- Aluminium body.

Code	Description	Kg
85707	G911 1x40W QT 14 / G9	0,300



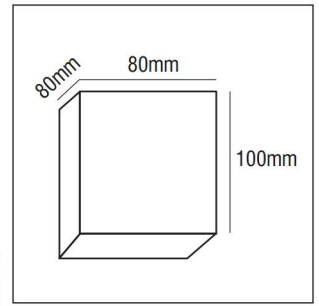
SPOT MINI BEAM - THREE WAY / 2 Narrow Beam - 1 Wide Beam



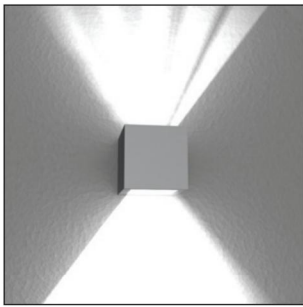
CE	F	IP 20
		Included
OSRAM: HALOPIN PHILIPS: CLICKLINE		
LED		

- For QT 14/G9 lamp.
- Aluminium body.
- Tempered protection glass.

Code	Description	Kg
85708	G912 1x40W QT 14 / G9	0,350



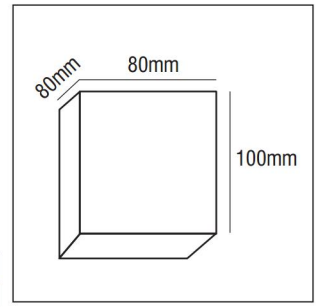
SPOT MINI BEAM - TWO WAY / Carre - Wide Beam



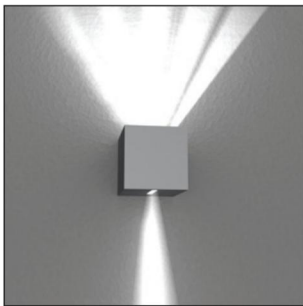
CE	F	IP 20
		Included
OSRAM: HALOPIN PHILIPS: CLICKLINE		
LED		

- For QT 14/G9 lamp.
- Aluminium body.
- Tempered protection glass.

Code	Description	Kg
85709	G912 1x40W QT 14 / G9	0,350



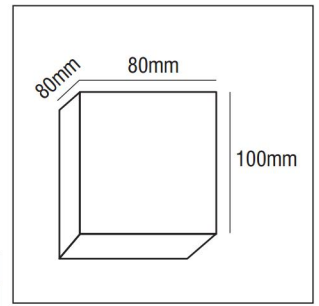
SPOT MINI BEAM - TWO WAY / Carre - Narrow Beam



CE	F	IP 20
		Included
OSRAM: HALOPIN PHILIPS: CLICKLINE		
LED		

- For QT 14/G9 lamp.
- Aluminium body.
- Tempered protection glass.

Code	Description	Kg
85710	G912 1x40W QT 14 / G9	0,350



Colour Codes:

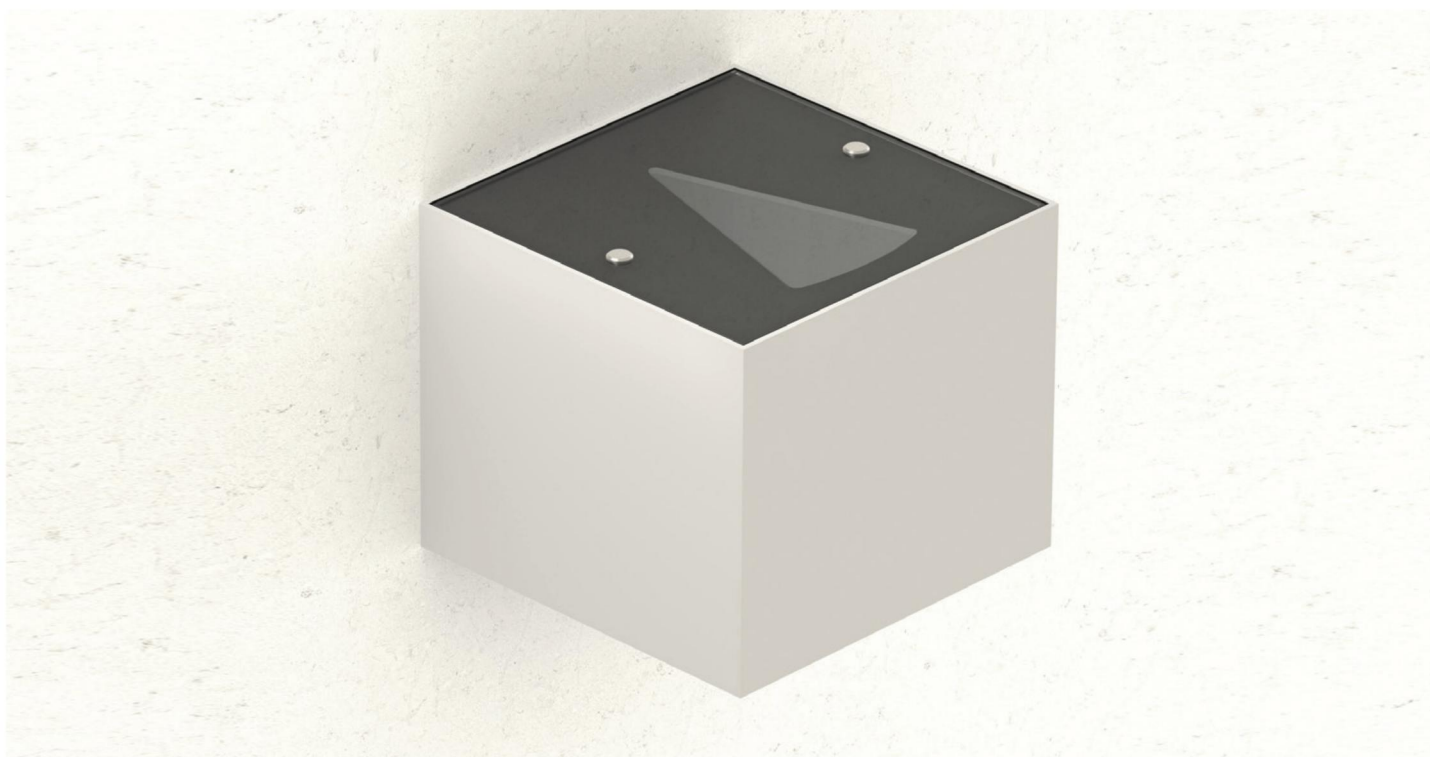
- 0 Colours 1 White 2 Titan 3 Black 4 Chrome





**BEAM 20**

---



---

Surface wall mounted luminaire with halogen or fluorescent lamps, ideal for a wide range of indoor applications. Available with one or two-way light distribution and with different beam angles.

**Technical Features**

---

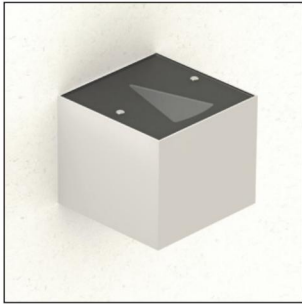
- Aluminium body, painted electrostatically in selected colour.
- Aluminium lampholder - mounting base.
- Tempered protection glass.
- Beam-angle configuration diaphragm made of aluminium.
- Easy - no tools - body mounting.

**Upon request**

Special beam editions.

BEAM 20

BEAM 20 - ONE WAY G9

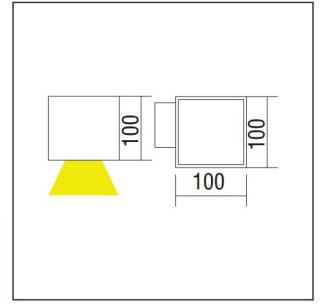


CE	F	850°C	IP 40

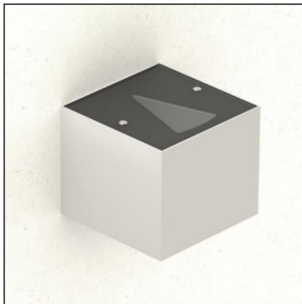
OSRAM: HALOPIN  
PHILIPS: CUCKLINE  
MESAMARK: CFL / G9

- For QT 14/G9 lamp.  
- Aluminium body.

Code	Description	Kg
85793	BEAM 20 - ONE WAY G9 40°	0,520
85794	BEAM 20 - ONE WAY G9 100°	0,520



BEAM 20 - TWO WAY G9

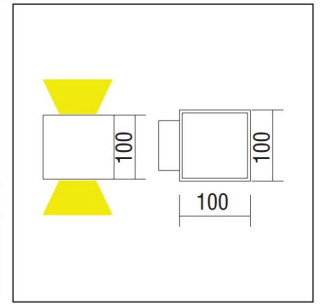


CE	F	850°C	IP 40

OSRAM: HALOPIN  
PHILIPS: CUCKLINE  
MESAMARK: CFL / G9

- For QT 14/G9 lamp.  
- Aluminium body.

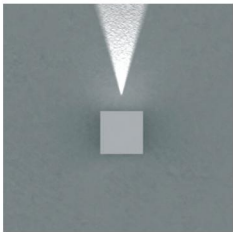
Code	Description	Kg
85790	BEAM 20 - TWO WAY G9 40° / 100°	0,520
85791	BEAM 20 - TWO WAY G9 100° / 100°	0,520
85792	BEAM 20 - TWO WAY G9 40° / 40°	0,520



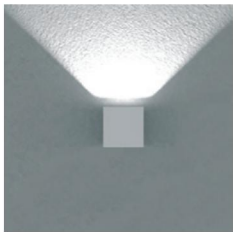
Colour Codes:

0 Colours 1 White 2 Titan 3 Black 4 Chrome

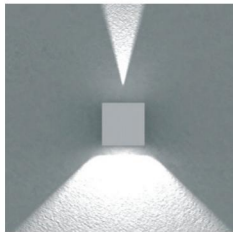
Versions



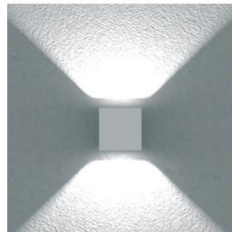
BEAM 20 - ONE WAY  
40°



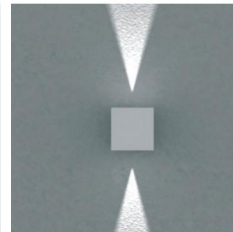
BEAM 20 - ONE WAY  
100°



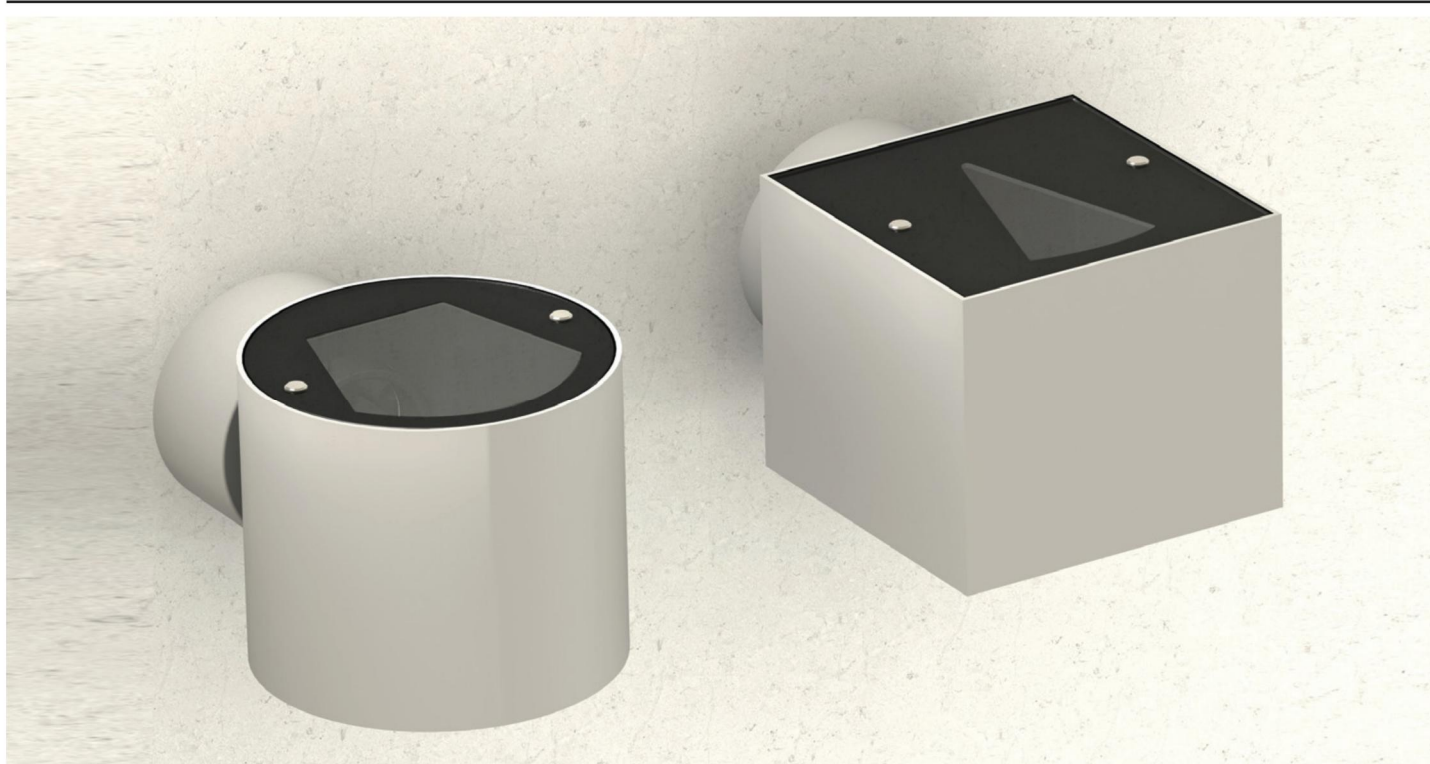
BEAM 20 - TWO WAY  
40° / 100°



BEAM 20 - TWO WAY  
100° / 100°



BEAM 20 - TWO WAY  
40° / 40°

**BEAM 1 / BEAM 2 IP40**

Surface wall mounted luminaire with halogen or fluorescent lamps, ideal for a wide range of indoor applications. Available with one or two-way light distribution and with different beam angles.

**Technical Features**

- Aluminium body, painted electrostatically in selected colour.
- Die-cast aluminium lampholder - mounting base.
- Tempered protection glass.
- Beam-angle configuration diaphragm made of aluminium.

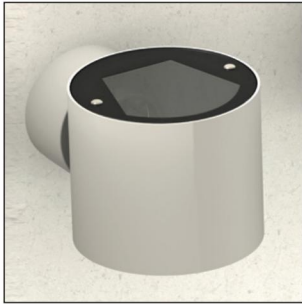
**Upon request**

Special beam editions.



BEAM 1 / BEAM 2 IP40

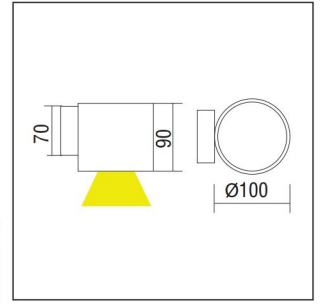
BEAM 1 - ONE WAY



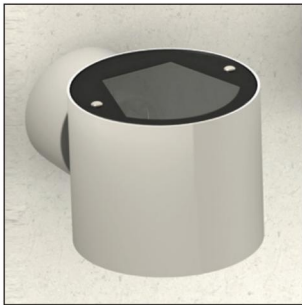
CE	F	850°C	IP 40
OSRAM: HALOPIN PHILIPS: CLICKLINE	MEGAMAN: CFL / G9		

- For QT 14/G9 lamp.  
- Aluminium body.

Code	Description	Kg
85717	BEAM1 - ONE WAY G9 40°	0,540
85718	BEAM1 - ONE WAY G9 100°	0,540



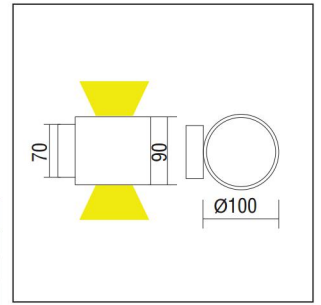
BEAM 1 - TWO WAY



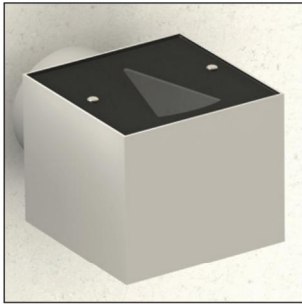
CE	F	850°C	IP 40
OSRAM: HALOPIN PHILIPS: CLICKLINE	MEGAMAN: CFL / G9		

- For QT 14/G9 lamp.  
- Aluminium body.

Code	Description	Kg
85711	BEAM1 - TWO WAY G9 40° / 100°	0,540
85712	BEAM1 - TWO WAY G9 100° / 100°	0,540
85713	BEAM1 - TWO WAY G9 40° / 40°	0,540



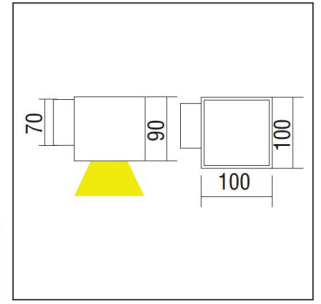
BEAM 2 - ONE WAY



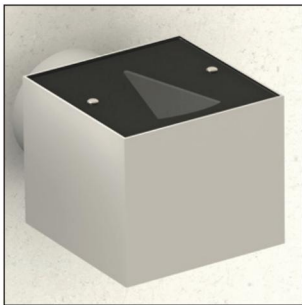
CE	F	850°C	IP 40
OSRAM: HALOPIN PHILIPS: CLICKLINE	MEGAMAN: CFL / G9		

- For QT 14/G9 lamp.  
- Aluminium body.

Code	Description	Kg
85719	BEAM2 - ONE WAY G9 40°	0,625
85720	BEAM2 - ONE WAY G9 100°	0,625



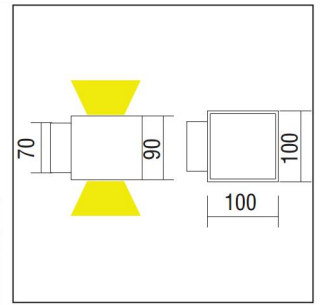
BEAM 2 - TWO WAY



CE	F	850°C	IP 40
OSRAM: HALOPIN PHILIPS: CLICKLINE	MEGAMAN: CFL / G9		

- For QT 14/G9 lamp.  
- Aluminium body.

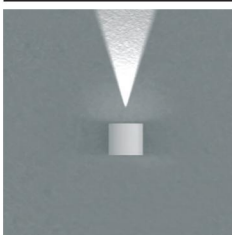
Code	Description	Kg
85714	BEAM2 - TWO WAY G9 40° / 100°	0,625
85715	BEAM2 - TWO WAY G9 100° / 100°	0,625
85716	BEAM2 - TWO WAY G9 40° / 40°	0,625



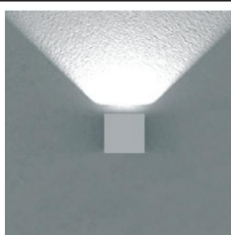
Colour Codes:

0 Colours 1 White 2 Titan 3 Black 4 Chrome

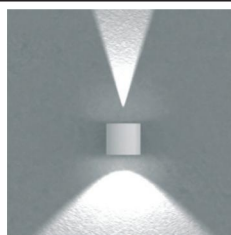
Versions



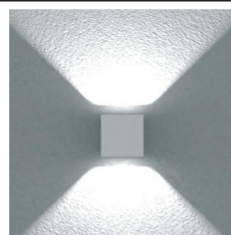
BEAM 1 - ONE WAY  
40°



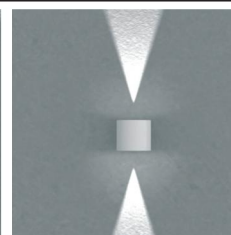
BEAM 2 - ONE WAY  
100°



BEAM 1 - TWO WAY  
40° / 100°



BEAM 2 - TWO WAY  
100° / 100°



BEAM 1 - TWO WAY  
40° / 40°



BEAM 1 / BEAM 2 IP40

