

## ZERO 3F



## Technical Features

- Steel base, electrostatically painted in white colour.
- Diffuser in methacrylate, injection moulded, multilenticular, anti-glare.
- Adjustment of the diffuser at the base with safety polycarbonate clips.
- They supply diffuse symmetric distribution.
- Connection for operation on 230V-50/60Hz with conventional ballast and power factor correction capacitor.
- Connection for operation on 230V-50/60Hz with electronic ballast.
- Connection for operation with electronic ballast dimmable.
- Connection for emergency lighting system.

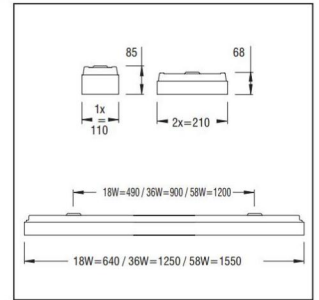
**ZERO 3F**

**ZERO 3F**

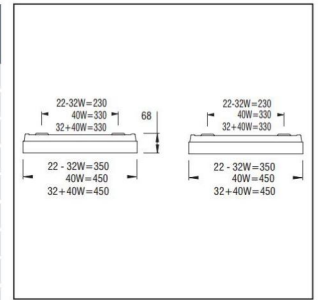


CE	F	IP 40
675° C		
T16 / G5	TR	
OSRAM: T5 PHILIPS: TL5	OSRAM: T5 PHILIPS: TL4	
1xE>75%	2xE>65%	

- Luminaires for fluorescent lamps T26 & T-R.



Description	Dimensions	Conventional Ballast and capacitor Code	Electronic Ballast Code
03F 1x18W T26	110 x 640 x 85	213012	213013
03F 1x36W T26	110 x 1250 x 85	213112	213113
03F 1x58W T26	110 x 1550 x 85	213152	213153
03F 2x18W T26	210 x 640 x 68	213022	213023
03F 2x36W T26	210 x 1250 x 68	213122	213123
03F 2x58W T26	210 x 1550 x 68	213162	213163
03F 4x18W T26	640 x 640 x 68	213042	213043
03F 1x22W T-R	350 x 350 x 68	213572	213573
03F 1x32W T-R	350 x 350 x 68	213582	213583
03F 1x40W T-R	450 x 450 x 68	213592	213593
03F 2x32W+40W T-R	450 x 450 x 68	213602	213603

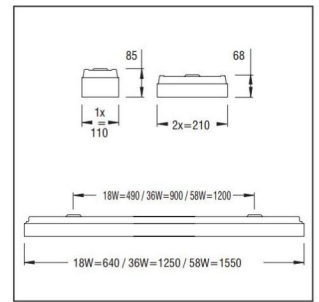


**ZERO 3F**

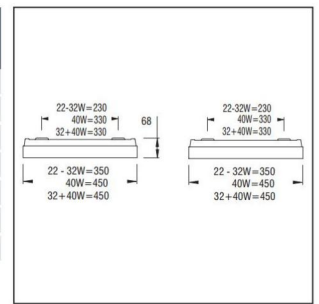


CE	F	IP 54
850° C	6.5 J	
T16 / G5		
OSRAM: T5 PHILIPS: TL5		
1xE>60%	2xE>55%	

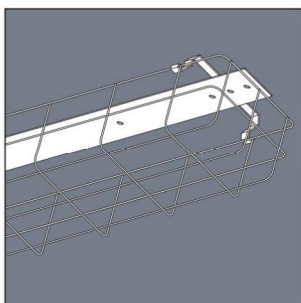
- Luminaires for fluorescent lamps T26.



Description	Dimensions	Conventional Ballast and capacitor Code	Electronic Ballast Code
03F 1x18W T26 IP54	110 x 640 x 85	551012	551013
03F 1x36W T26 IP54	110 x 1250 x 85	551112	551113
03F 1x58W T26 IP54	110 x 1550 x 85	551152	551153
03F 2x18W T26 IP54	210 x 640 x 68	551022	551023
03F 2x36W T26 IP54	210 x 1250 x 68	551122	551123
03F 2x58W T26 IP54	210 x 1550 x 68	551162	551163
03F 4x18W T26 IP54	640 x 640 x 68	551042	551043



**ACCESSORY FOR SURFACE MOUNTED LUMINAIRES**



- Wire-guard for applications in dry environments, against shocks coming from any directions, in galvanized steel rod Ø5mm.

Code	Description	Length
201302	<b>12 AZ</b> (for lum. 36W T26, 28/54W T16)	180 x 1320 x 130
201301	<b>12 BX</b> (for lum. 36W T26, 28/54W T16)	280 x 1330 x 130
201303	<b>12 IA</b> (for lum. 58W T26, 35/49/80W T16)	180 x 1630 x 130
201304	<b>12 LB</b> (for lum. 58W T26, 35/49/80W T16)	280 x 1630 x 130