

WAVE

Wave is especially attractive because of its transparent, minimal design. It is perfect for office lighting and it can be positioned anywhere, regardless of the way workstations are arranged due to its glare free cover.

Technical Features

- Body of aluminum profile, painted electrostatically in selected colour.
- Prismatic protection glass.
- Flow recuperator in white colour.
- Adjustable suspension consisting of stainless steel cable and regulators.
- Connection for operation on 230V-50/60Hz with electronic ballast.

Upon Request

- Connection for operation on 230V-50/60Hz with dimmer dali or 1-10VDC ballast.
- Connection for emergency lighting system.

WAVE

WAVE



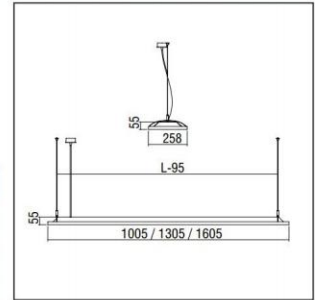
CE F IP 40

T16
G5

Included

- Version for T16/G5.

Code	Description
82602	Wave 2x39W
82604	Wave 2x54W
82607	Wave 2x80W
82608	Wave 4x14W



Colour Codes:

- 0 Colours 1 White 2 Titan 3 Black

