

	PAGE
■ WAVE (PENDANT) .....	398
■ VOLARIS (PENDANT & SURFACE MOUNTED) .....	400
■ FALEA (PENDANT) .....	408
■ MLM (SURFACE MOUNTED) .....	410
■ SLICE (SURFACE MOUNTED) .....	412
■ SOFT LIGHT P 630 (SURFACE MOUNTED) .....	414
■ SOFT LIGHT P 680 (SURFACE MOUNTED) .....	416
■ SOFT LIGHT P 690 (SURFACE MOUNTED) .....	418
■ MLM (RECESSED) .....	420
■ SLICE (RECESSED) .....	422
■ FOGLIO (RECESSED) .....	424
■ SOFT LIGHT L 610 (RECESSED) .....	426
■ SOFT LIGHT L 620 (RECESSED) .....	428
■ SOFT LIGHT L 630 (RECESSED) .....	430
■ SOFT LIGHT L 660 (RECESSED) .....	432
■ SOFT LIGHT L 670 (RECESSED) .....	434
■ SOFT LIGHT L 680 (RECESSED) .....	436
■ WW (RECESSED) .....	438

**WAVE**

Wave is especially attractive because of its transparent, minimal design. It is perfect for office lighting and it can be positioned anywhere, regardless of the way workstations are arranged due to its glare free cover.

**Technical Features**

- Body of aluminum profile, painted electrostatically in selected colour.
- Prismatic protection glass.
- Flow recuperator in white colour.
- Adjustable suspension consisting of stainless steel cable and regulators.
- Connection for operation on 230V-50/60Hz with electronic ballast.

**Upon Request**

- Connection for operation on 230V-50/60Hz with dimmer dali or 1-10VDC ballast.
- Connection for emergency lighting system.

WAVE

WAVE



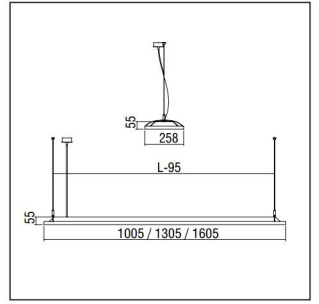
CE F ⊕ IP 40

T16  
G5

Included

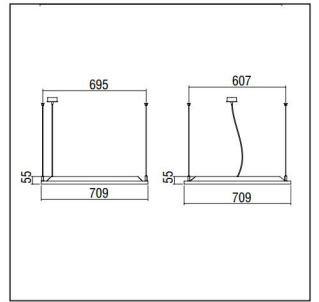
- Version for T16/G5.

Code	Description
82602	Wave 2x39W
82604	Wave 2x54W
82607	Wave 2x80W
82608	Wave 4x14W



Colour Codes:

- 0 Colours 1 White 2 Titan 3 Black



**VOLARIS**

This luminaire is an impressive combination of low investment cost, high efficiency and usability.

The direct/indirect light distribution and the high light output ratios are two advantages that give Volaris a wide range of possible applications, especially in offices, communication rooms and training facilities. The spots, which can be separately switched, give the user maximum design freedom and satisfy the requirement for possible accent lighting on workplace.

The VOLARIS surface-mounted luminaire provides perfect lighting comfort and uniform, glare-free lighting. The luminaire unit impresses with its low profile, while slim-line design is emphasised by its curved soft contours.

**VOLARIS LED**

This luminaire is an impressive combination of low investment cost, low power consumption, high efficiency and usability.

The direct/indirect light distribution and the high light output ratios are two advantages that give Volaris a wide range of possible applications, especially in offices, communication rooms and training facilities.

**Technical Features**

- Body of aluminum profile, painted electrostatically in selected colour.
- High efficient microprismatic PMMA cover or louvre selection.
- PMMA upside transparent cover.
- With or without spot selection for pendant version.
- Adjustable suspension consisting of stainless steel cable and regulators.
- Connection for operation on 230V-50/60Hz with electronic ballast.

**Upon Request**

- Connection for operation on 230V-50/60Hz with dimmer dali or 1-10VDC ballast.
- Connection for emergency lighting system (only for T16 edition).

**For LED Version**

- High efficient satin PMMA cover.
- Pure light without IR/UV radiation.
- Operation life: 50,000 hours with efficiency > 70% of the initial luminous flux.

VOLARIS

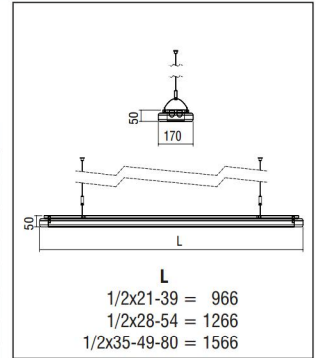
VOLARIS PLEXI 170



CE	F	⊕	IP 40
T16			
G5			
			Included

- Version for T16/G5.
- High efficient microprismatic PMMA cover.
- Suspensions and power supply with cable 1,5m, included.

Code	Description
8251051	Volaris Plexi 170 1x21W
8251151	Volaris Plexi 170 1x39W
8251071	Volaris Plexi 170 1x28W
8251191	Volaris Plexi 170 1x54W
8251091	Volaris Plexi 170 1x35W
8251171	Volaris Plexi 170 1x49W
8251231	Volaris Plexi 170 1x80W
8251061	Volaris Plexi 170 2x21W
8251161	Volaris Plexi 170 2x39W
8251081	Volaris Plexi 170 2x28W
8251201	Volaris Plexi 170 2x54W
8251101	Volaris Plexi 170 2x35W
8251181	Volaris Plexi 170 2x49W
8251241	Volaris Plexi 170 2x80W



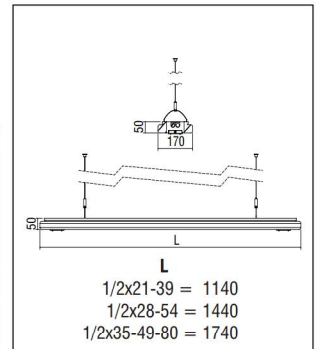
VOLARIS PLEXI 170 SPOTS



CE	F	⊕	IP 20
T16	PAR 16	LED	FLUO
G5			
			Included

- Version for T16/G5 and PAR16/GU10.
- High efficient microprismatic PMMA cover.
- Suspensions and power supply with cable 1,5m, included.

Code	Description
8252051	Volaris Plexi 170 Spots 1x21W+2xPAR16/GU10
8252151	Volaris Plexi 170 Spots 1x39W+2xPAR16/GU10
8252071	Volaris Plexi 170 Spots 1x28W+2xPAR16/GU10
8252191	Volaris Plexi 170 Spots 1x54W+2xPAR16/GU10
8252091	Volaris Plexi 170 Spots 1x35W+2xPAR16/GU10
8252171	Volaris Plexi 170 Spots 1x49W+2xPAR16/GU10
8252231	Volaris Plexi 170 Spots 1x80W+2xPAR16/GU10
8252061	Volaris Plexi 170 Spots 2x21W+2xPAR16/GU10
8252161	Volaris Plexi 170 Spots 2x39W+2xPAR16/GU10
8252081	Volaris Plexi 170 Spots 2x28W+2xPAR16/GU10
8252201	Volaris Plexi 170 Spots 2x54W+2xPAR16/GU10
8252101	Volaris Plexi 170 Spots 2x35W+2xPAR16/GU10
8252181	Volaris Plexi 170 Spots 2x49W+2xPAR16/GU10
8252241	Volaris Plexi 170 Spots 2x80W+2xPAR16/GU10



Colour Codes:

- 0 Colours   1 White   2 Titan   3 Black   5\* matt Alum.

\* Excluded: Volaris with spots

VOLARIS

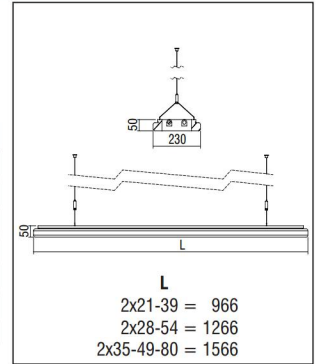
VOLARIS PLEXI 230



CE	F	⊕	IP 40
T16			
G5			
			Included

- Version for T16/G5.
- High efficient microprismatic PMMA cover.
- Suspensions and power supply with cable 1,5m, included.

Code	Description
8255061	Volaris Plexi 230 2x21W
8255161	Volaris Plexi 230 2x39W
8255081	Volaris Plexi 230 2x28W
8255201	Volaris Plexi 230 2x54W
8255101	Volaris Plexi 230 2x35W
8255181	Volaris Plexi 230 2x49W
8255241	Volaris Plexi 230 2x80W



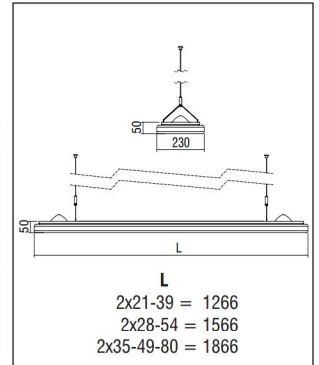
VOLARIS PLEXI 230 SPOTS



CE	F	⊕	IP 20
T16			
G5	OSRAM HALOSPOT 111 PHILIPS ALULINE 111		
			Included

- Version for T16/G5 and QR111/G53 max. 50W.
- High efficient microprismatic PMMA cover.
- Suspensions and power supply with cable 1,5m, included.

Code	Description
8256061	Volaris Plexi 230 Spots 2x21W+2xQR111/G53
8256161	Volaris Plexi 230 Spots 2x39W+2xQR111/G53
8256081	Volaris Plexi 230 Spots 2x28W+2xQR111/G53
8256201	Volaris Plexi 230 Spots 2x54W+2xQR111/G53
8256101	Volaris Plexi 230 Spots 2x35W+2xQR111/G53
8256181	Volaris Plexi 230 Spots 2x49W+2xQR111/G53
8256241	Volaris Plexi 230 Spots 2x80W+2xQR111/G53



Colour Codes:

- 0 Colours 1 White 2 Titan 3 Black 5\* matt Alum.

\* Excluded: Volaris with spots

VOLARIS

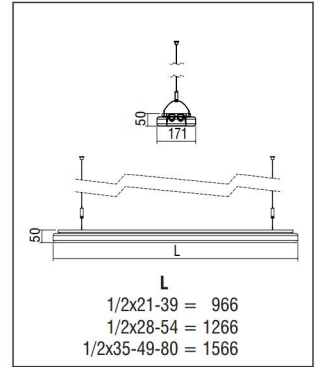
VOLARIS LOUVRE 170



CE	F	⊕	IP 20
T16			
G5			
			Included

- Version for T16/G5.
- Louvre from high purity specular aluminium.
- Suspensions and power supply with cable 1,5m, included.

Code	Description
8253051	Volaris Louvre 170 1x21W
8253151	Volaris Louvre 170 1x39W
8253071	Volaris Louvre 170 1x28W
8253191	Volaris Louvre 170 1x54W
8253091	Volaris Louvre 170 1x35W
8253171	Volaris Louvre 170 1x49W
8253231	Volaris Louvre 170 1x80W
8253061	Volaris Louvre 170 2x21W
8253161	Volaris Louvre 170 2x39W
8253081	Volaris Louvre 170 2x28W
8253201	Volaris Louvre 170 2x54W
8253101	Volaris Louvre 170 2x35W
8253181	Volaris Louvre 170 2x49W
8253241	Volaris Louvre 170 2x80W



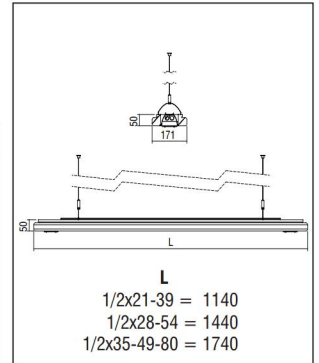
VOLARIS LOUVRE 170 SPOTS



CE	F	⊕	IP 20
T16	PAR 16	LED	FLUO
G5			
			Included

- Version for T16/G5 and PAR16/GU10.
- Louvre from high purity specular aluminium.
- Suspensions and power supply with cable 1,5m, included.

Code	Description
8254051	Volaris Louvre 170 Spots 1x21W+2xPAR16/GU10
8254151	Volaris Louvre 170 Spots 1x39W+2xPAR16/GU10
8254071	Volaris Louvre 170 Spots 1x28W+2xPAR16/GU10
8254191	Volaris Louvre 170 Spots 1x54W+2xPAR16/GU10
8254091	Volaris Louvre 170 Spots 1x35W+2xPAR16/GU10
8254171	Volaris Louvre 170 Spots 1x49W+2xPAR16/GU10
8254231	Volaris Louvre 170 Spots 1x80W+2xPAR16/GU10
8254061	Volaris Louvre 170 Spots 2x21W+2xPAR16/GU10
8254161	Volaris Louvre 170 Spots 2x39W+2xPAR16/GU10
8254081	Volaris Louvre 170 Spots 2x28W+2xPAR16/GU10
8254201	Volaris Louvre 170 Spots 2x54W+2xPAR16/GU10
8254101	Volaris Louvre 170 Spots 2x35W+2xPAR16/GU10
8254181	Volaris Louvre 170 Spots 2x49W+2xPAR16/GU10
8254241	Volaris Louvre 170 Spots 2x80W+2xPAR16/GU10



Colour Codes:

- 0 Colours 1 White 2 Titan 3 Black 5\* matt Alum.

\* Excluded: Volaris with spots

VOLARIS

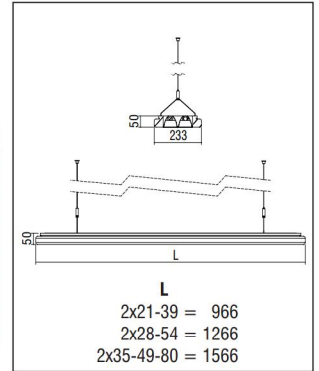
VOLARIS LOUVRE 230



CE	F	⊕	IP 40
T16			
G5			
			Included

- Version for T16/G5.
- Louvre from high purity specular aluminium.
- Suspensions and power supply with cable 1,5m, included.

Code	Description
8257061	Volaris Louvre 230 2x21W
8257161	Volaris Louvre 230 2x39W
8257081	Volaris Louvre 230 2x28W
8257201	Volaris Louvre 230 2x54W
8257101	Volaris Louvre 230 2x35W
8257181	Volaris Louvre 230 2x49W
8257241	Volaris Louvre 230 2x80W



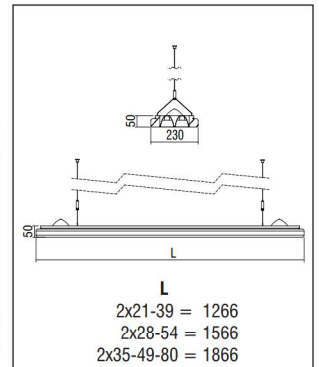
VOLARIS LOUVRE 230 SPOTS



CE	F	⊕	IP 20
T16			
G5	OSRAM HALOSPOT 111 PHILIPS ALU LINE 111		
			Included

- Version for T16/G5 and QR111/G53 max. 50W.
- Louvre from high purity specular aluminium.
- Suspensions and power supply with cable 1,5m, included.

Code	Description
8258061	Volaris Louvre 230 Spots 2x21W+2xQR111/G53
8258161	Volaris Louvre 230 Spots 2x39W+2xQR111/G53
8258081	Volaris Louvre 230 Spots 2x28W+2xQR111/G53
8258201	Volaris Louvre 230 Spots 2x54W+2xQR111/G53
8258101	Volaris Louvre 230 Spots 2x35W+2xQR111/G53
8258181	Volaris Louvre 230 Spots 2x49W+2xQR111/G53
8258241	Volaris Louvre 230 Spots 2x80W+2xQR111/G53



Colour Codes:

- 0 Colours 1 White 2 Titan 3 Black 5\* matt Alum.

\* Excluded: Volaris with spots



VOLARIS

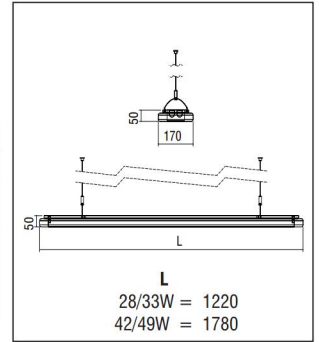
VOLARIS PLEXI LED 170



CE	F	⊕	IP 40
LED		ta 25°C	Included

- Version for LED CHIP.
- High efficient satin PMMA cover.
- Efficiency: max.138 Lumen / Watt.
- Suspensions and power supply with cable 1,5m, included.

Code	Description
8251803	Volaris Plexi Led 170 28W 3100 lm Neutral
8251804	Volaris Plexi Led 170 33W 4400 lm Neutral
8251805	Volaris Plexi Led 170 42W 4650 lm Neutral
8251806	Volaris Plexi Led 170 49W 6600 lm Neutral
8251810	Volaris Plexi Led 170 33W 4400 lm Warm
8251812	Volaris Plexi Led 170 49W 6600 lm Warm



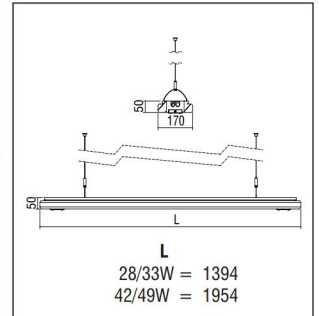
VOLARIS PLEXI LED 170 SPOTS



CE	F	⊕	IP 20
LED		ta 25°C	Included

- Version for LED CHIP and PAR16/GU10.
- High efficient satin PMMA cover.
- Efficiency: max.138 Lumen / Watt.
- Suspensions and power supply with cable 1,5m, included.

Code	Description
8252803	Volaris Plexi Led 170 28W 3100 lm Neutral+2xPAR16/GU10
8252804	Volaris Plexi Led 170 33W 4400 lm Neutral+2xPAR16/GU10
8252805	Volaris Plexi Led 170 42W 4650 lm Neutral+2xPAR16/GU10
8252806	Volaris Plexi Led 170 49W 6600 lm Neutral+2xPAR16/GU10
8252810	Volaris Plexi Led 170 33W 4400 lm Warm+2xPAR16/GU10
8252812	Volaris Plexi Led 170 49W 6600 lm Warm+2xPAR16/GU10



Colour Codes:

- 0 Colours 1 White 2 Titan 3 Black 5\* matt Alum.

\* Excluded: Volaris with spots

VOLARIS

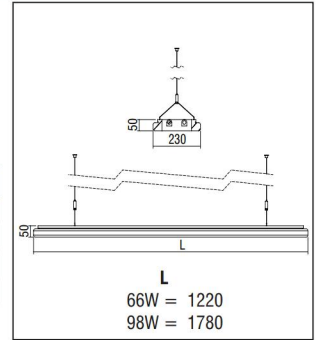
VOLARIS PLEXI LED 230



CE	F	⊕	IP 40
LED		ta 25°C	Included

- Version for LED CHIP.
- High efficient satin PMMA cover.
- Efficiency: max.138 Lumen / Watt.
- Suspensions and power supply with cable 1,5m, included.

Code	Description
8255804	Volaris Plexi Led 230 66W 8800 lm Neutral
8255806	Volaris Plexi Led 230 98W 13200 lm Neutral
8255810	Volaris Plexi Led 230 66W 8800 lm Warm
8255812	Volaris Plexi Led 230 98W 13200 lm Warm



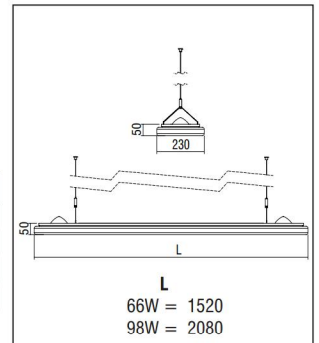
VOLARIS PLEXI LED 230 SPOTS



CE	F	⊕	IP 20
LED		ta 25°C	Included

- Version for LED CHIP and QR111/G53.
- High efficient satin PMMA cover.
- Efficiency: max.138 Lumen / Watt.
- Suspensions and power supply with cable 1,5m, included.

Code	Description
8256804	Volaris Plexi Led 230 66W 8800 lm Neutral+2xQR111/G53
8256806	Volaris Plexi Led 230 98W 13200 lm Neutral+2xQR111/G53
8256810	Volaris Plexi Led 230 66W 8800 lm Warm+2xQR111/G53
8256812	Volaris Plexi Led 230 98W 13200 lm Warm+2xQR111/G53



Colour Codes:

- 0 Colours 1 White 2 Titan 3 Black 5\* matt Alum.

\* Excluded: Volaris with spots

**VOLARIS**

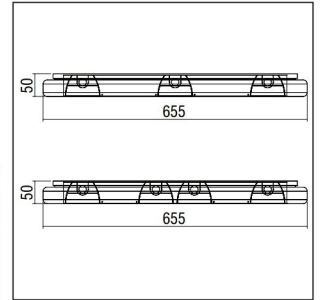
**VOLARIS QUADRO**



CE	F	⊕	IP 20
T16			
G5			
		Included	

- Version for T16/G5.
- Louvre from high purity specular aluminium.

Code	Description
82556	Volaris Quadro 3x14W
82557	Volaris Quadro 4x14W
82558	Volaris Quadro 3x24W
82559	Volaris Quadro 4x24W



**Colour Codes:**

- 0 Colours   1 White   2 Titan   3 Black   5 matt Alum.



**FALEA**

This luminaire is an impressive combination of low investment cost, high efficiency and usability.

The direct/indirect light distribution and the high light output ratios are two advantages that give FALEA a wide range of possible applications, especially in offices, communication rooms and training facilities.

The FALEA luminaire provides perfect lighting comfort and uniform, glare-free lighting. The luminaire unit impresses with its low profile, while slim-line design is emphasised by its shape.

**Technical Features**

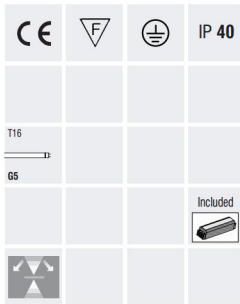
- Body of steel, painted electrostatically in selected colour.
- High efficient microprismatic PMMA cover or louvre for direct lighting.
- PMMA upside transparent cover for indirect lighting, or steel cover for only direct distribution.
- Adjustable suspension consisting of stainless steel cable and regulators.
- Connection for operation on 230V-50/60Hz with electronic ballast.

**Upon Request**

- Connection for operation on 230V-50/60Hz with dimmer dali or 1-10VDC ballast.
- Connection for emergency lighting system (only for T16 edition).

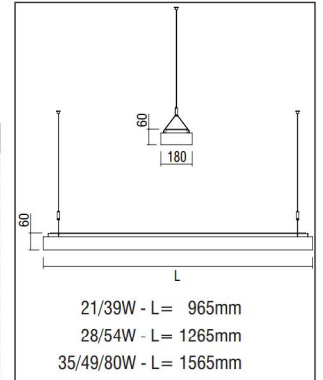
## FALEA

## FALEA PLEXI UP / DOWN

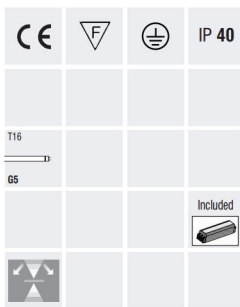


- Version for T16/G5.
- High efficient microprismatic PMMA cover for direct lighting.
- PMMA transparent or steel upside cover selection.
- Suspensions and power supply with cable 2m, included.

Code	Description
8291051	Falea Plexi Up / Down 1x21W
8291151	Falea Plexi Up / Down 1x39W
8291071	Falea Plexi Up / Down 1x28W
8291191	Falea Plexi Up / Down 1x54W
8291091	Falea Plexi Up / Down 1x35W
8291171	Falea Plexi Up / Down 1x49W
8291231	Falea Plexi Up / Down 1x80W
8291061	Falea Plexi Up / Down 2x21W
8291161	Falea Plexi Up / Down 2x39W
8291081	Falea Plexi Up / Down 2x28W
8291201	Falea Plexi Up / Down 2x54W
8291101	Falea Plexi Up / Down 2x35W
8291181	Falea Plexi Up / Down 2x49W
8291241	Falea Plexi Up / Down 2x80W

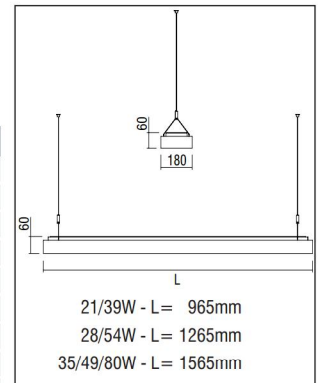


## FALEA LOUVRE UP / DOWN



- Version for T16/G5.
- Aluminium louvre for direct lighting.
- PMMA transparent or steel upside cover selection.
- Suspensions and power supply with cable 2m, included.

Code	Description
8292051	Falea Louvre Up / Down 1x21W
8292151	Falea Louvre Up / Down 1x39W
8292071	Falea Louvre Up / Down 1x28W
8292191	Falea Louvre Up / Down 1x54W
8292091	Falea Louvre Up / Down 1x35W
8292171	Falea Louvre Up / Down 1x49W
8292231	Falea Louvre Up / Down 1x80W
8292061	Falea Louvre Up / Down 2x21W
8292161	Falea Louvre Up / Down 2x39W
8292081	Falea Louvre Up / Down 2x28W
8292201	Falea Louvre Up / Down 2x54W
8292101	Falea Louvre Up / Down 2x35W
8292181	Falea Louvre Up / Down 2x49W
8292241	Falea Louvre Up / Down 2x80W



## FALEA ACCESSORIES

- Cover for indirect lighting.
- Transparent for direct / indirect lighting.
- Steel for only direct lighting.

Code	Description
802900	Transparent Cover PMMA 21/39W
802910	Transparent Cover PMMA 28/54W
802920	Transparent Cover PMMA 35/49/80W
80293	Steel Cover 21/39W
80294	Steel Cover 28/54W
80295	Steel Cover 35/49/80W

## Colour Codes:

0 Colours 1 White 2 Titan 3 Black

**MLM**

The MLM surface-mounted luminaire provides perfect lighting comfort and uniform, glare-free lighting. The luminaire unit impresses with its low profile, while slim-line design is emphasised by its linear contours.

**Technical Features**

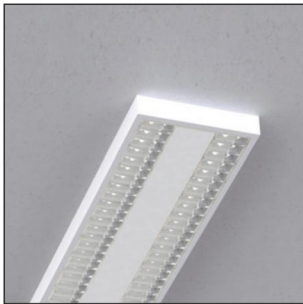
- Steel body painted electrostatically.
- High efficient parabolic louvre from specular aluminium.
- Connection for operation on 230V-50/60Hz with electronic ballast.





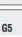

**Upon Request**

- Connection for operation on 230V-50/60Hz with dimmer dali or 1-10VDC ballast.
- Connection for emergency lighting system.

**MLM**

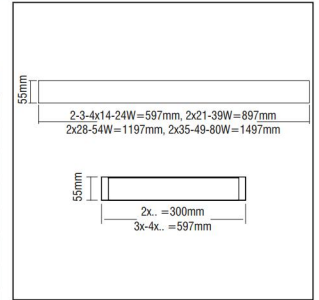
**MLM**






 IP 20  




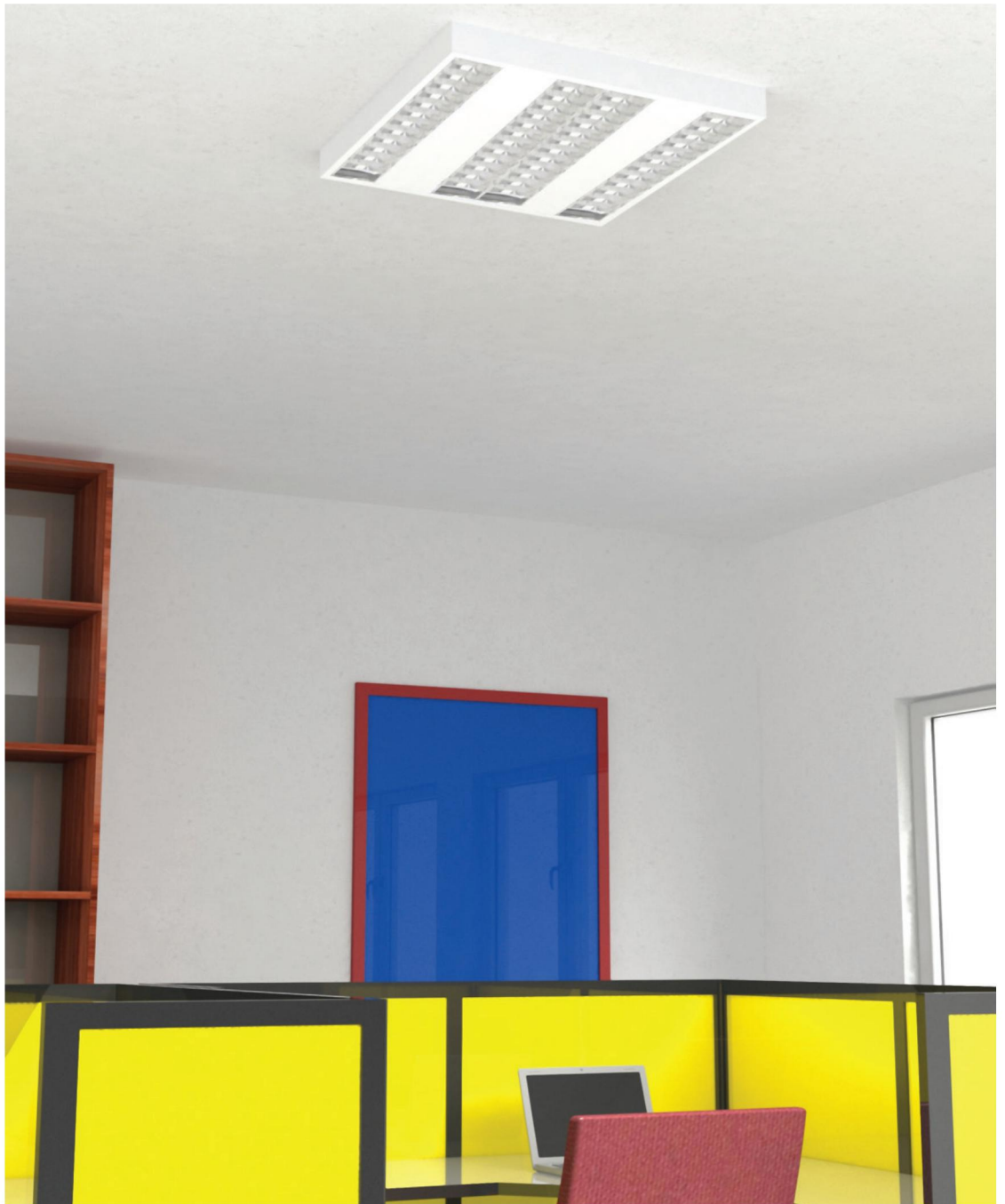
- Version for T16/G5.  
 - Louvre from high purity specular aluminium.

Code	Description
29118	MLM 112x14W
29119	MLM 113x14W
29120	MLM 114x14W
29122	MLM 112x21W
29128	MLM 112x24W
29129	MLM 113x24W
29130	MLM 114x24W
29124	MLM 112x28W
29126	MLM 112x35W
29132	MLM 112x39W
29134	MLM 112x49W
29136	MLM 112x54W
29140	MLM 112x80W



**Colour Codes:**

- Colours
  1 White
  2 Titan



**SLICE**

The SLICE surface-mounted luminaire with its opal cover provides perfect lighting comfort and uniform, glare-free lighting. The luminaire unit impresses with its low profile, while slim-line design is emphasised by its linear contours.

**Technical Features**

- Steel body painted electrostatically.
- High efficient satin PMMA cover.
- Last generation high efficient LED CHIP.
- Pure light without IR/UV radiation.
- Operation life: 50,000 hours with efficiency > 70% of the initial luminous flux.
- Connection for operation on 230V-50/60Hz with electronic ballast.

**Upon Request**

- Connection for operation on 230V-50/60Hz with dimmer dali or 1-10VDC ballast.



SLICE

SLICE

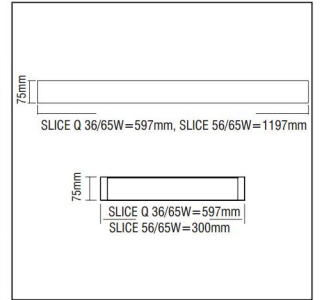


**Colour Codes:**  
 0 Colours  1 White  2 Titan

CE	F	⊕	IP 20
LED	ta 25°C	Included	

- Version for LED CHIP.  
 - High efficient satin PMMA cover.

Code	Description
29301	Slice Q Led 36W 5000 lm Neutral
29302	Slice Q Led 36W 5000 lm Warm
29303	Slice Q Led 65W 8750 lm Neutral
29304	Slice Q Led 65W 8750 lm Warm
29305	Slice Led 56W 6200 lm Neutral
29306	Slice Led 56W 6200 lm Warm
29307	Slice Led 65W 8800 lm Neutral
29308	Slice Led 65W 8800 lm Warm



**SOFT LIGHT P 630**

This professional surface mounted luminaire meets the increasingly exacting requirements placed on workplace lighting. It combines perfect direct/indirect light distribution with modern styling and high light output ratios.

**Technical Features**

- Steel body painted electrostatically.
- Parabolic louvre from anodized non iridescent specular aluminium.
- Steel parabolic recuperator with high reflectivity in white colour.
- Connection for operation on 230V-50/60Hz with electronic ballast.

**Upon Request**

- Connection for operation on 230V-50/60Hz with dimmer dali or 1-10VDC ballast.
- Connection for emergency lighting system.

**SOFT LIGHT P 630**

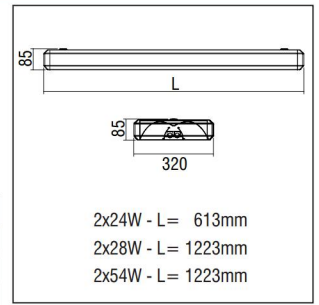
**SOFT LIGHT P 630**



CE	F	⊕	IP 20
T16			
G5			
		Included	

- Version for T16/G5.
- Parabolic louvre from anodized non iridescent specular aluminium.
- Steel parabolic recuperator with high reflectivity in white colour.

Code	Description
282283	Soft Light P 632x24W
282243	Soft Light P 632x28W
282363	Soft Light P 632x54W



**SOFT LIGHT P 680**

A surface mounted luminaire with unique architectural identity. Due to the combination of the reflective recuperator and the micro-perforated reflector it is suitable for areas where soft, mostly indirect, illumination is required.

**Technical Features**

- Steel body painted electrostatically.
- Steel parabolic recuperator with high reflectivity in white colour.
- Micro-perforated reflector from steel, painted in white colour, covered with reflection film.
- Connection for operation on 230V-50/60Hz with electronic ballast.

**Upon Request**

- Connection for operation on 230V-50/60Hz with dimmer dali or 1-10VDC ballast.
- Connection for emergency lighting system.

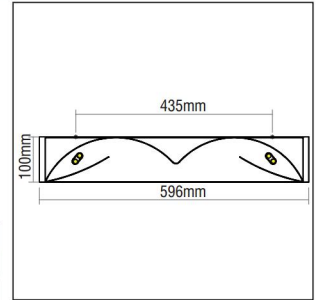
**SOFT LIGHT P 680**

**SOFT LIGHT P 680**



CE	F	⊕	IP 20
TC-L			
2G11			
		Included	

- Version for TC-L/2G11.
- Steel parabolic recuperator with high reflectivity in white colour.
- Micro-perforated reflector from steel, painted in white colour covered with reflection film.



Code	Description
281493	Soft Light P 682x40W
281523	Soft Light P 682x55W



**SOFT LIGHT P 690**

A surface mounted luminaire with unique architectural identity. Due to the combination of the reflective recuperator and the micro-perforated reflector it is suitable for areas where soft, mostly indirect, illumination is required.

**Technical Features**

- Steel body painted electrostatically.
- Steel parabolic recuperator with high reflectivity in white colour.
- Reflector from steel, painted in white colour.
- Connection for operation on 230V-50/60Hz with electronic ballast.

**Upon Request**

- Connection for operation on 230V-50/60Hz with dimmer dali or 1-10VDC ballast.
- Connection for emergency lighting system.

**SOFT LIGHT P 690**

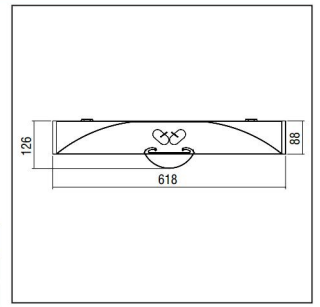
**SOFT LIGHT P 690**

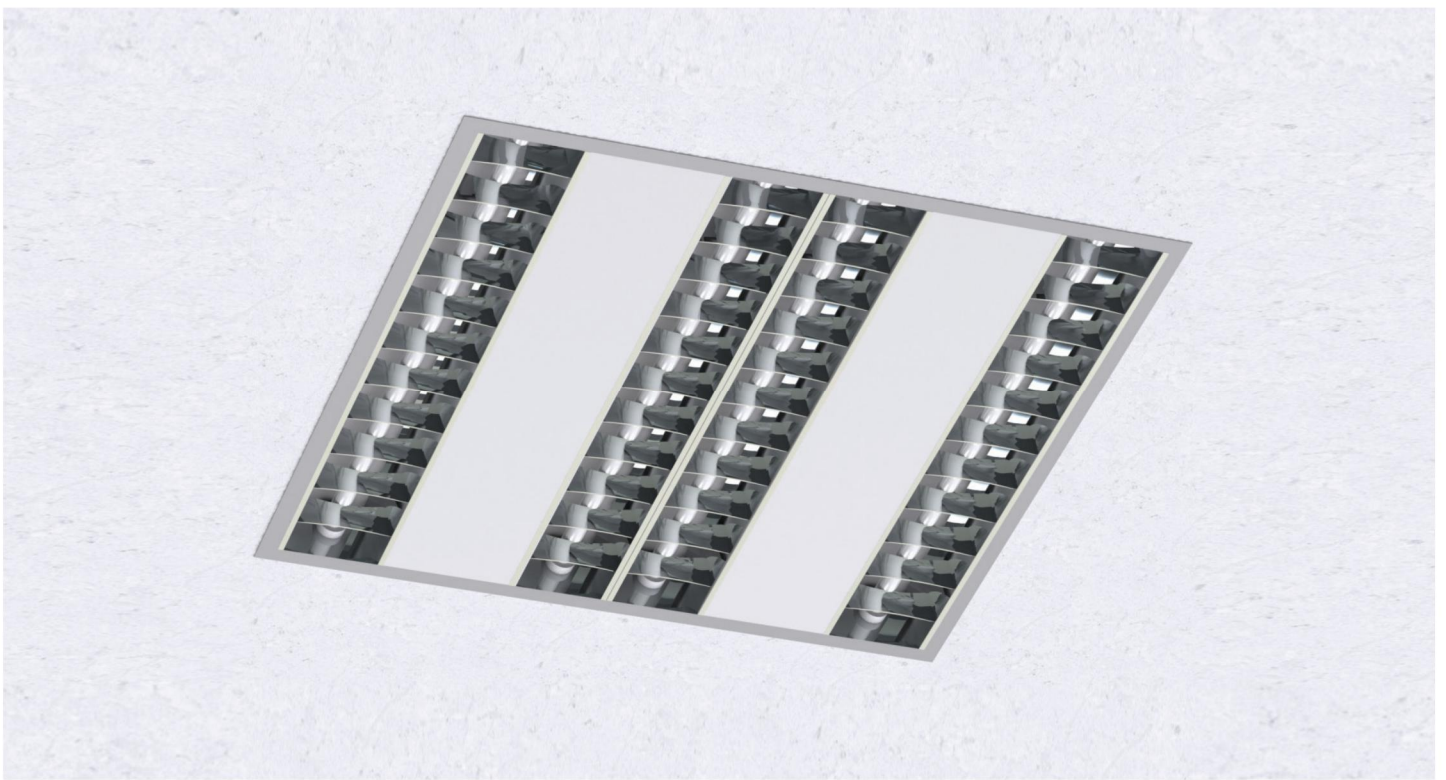


CE	F	⊕	IP 20
TC-L			
2G11			
		Included	

- Version for TC-L/2G11.
- White steel reflector.
- White steel recuperator.

Code	Description
283493	Soft Light P 692x40W
283523	Soft Light P 692x55W



**MLM**

The MLM recessed-mounted luminaire provides perfect lighting comfort and uniform, glare-free lighting. The luminaire unit impresses with its low profile, while slim-line design is emphasised by its linear contours.

**Technical Features**

- Recessed luminaire for panels in mineral fibre with expose structure or plasterboard ceiling 600x600mm.
- Steel body painted electrostatically.
- High efficient parabolic louvre from specular aluminium.
- Connection for operation on 230V-50/60Hz with electronic ballast.

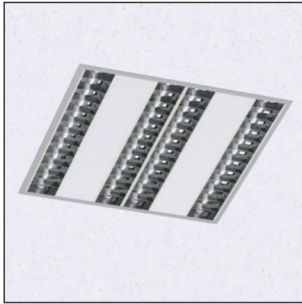
**Upon Request**

- Connection for operation on 230V-50/60Hz with dimmer dali or 1-10VDC ballast.
- Connection for emergency lighting system.



MLM

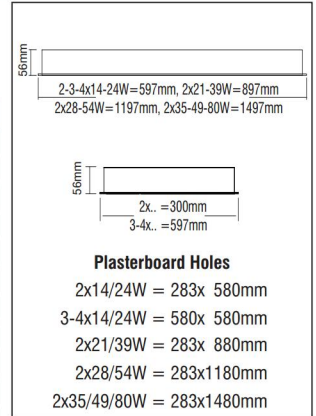
MLM



CE	F	⊕	IP 20
T16			
G5			
		Included	

- Version for T16/G5.
- Parabolic louvre from specular aluminium.
- Suspension brackets not included.

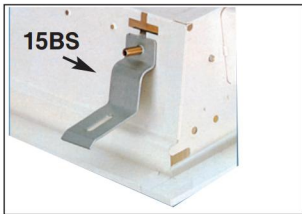
Code	Description
36118	MLM 352x14W
36119	MLM 353x14W
36120	MLM 354x14W
36128	MLM 352x24W
36129	MLM 353x24W
36130	MLM 354x24W
36122	MLM 352x21W
36132	MLM 352x39W
36124	MLM 352x28W
36136	MLM 352x54W
36126	MLM 352x35W
36134	MLM 352x49W
36140	MLM 352x80W



Colour Codes:

- 0 Colours 1 White 2 Titan

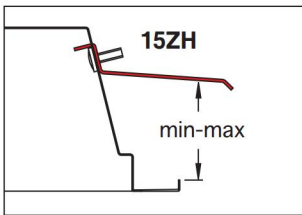
ACCESSORIES - SUSPENSION BRACKETS

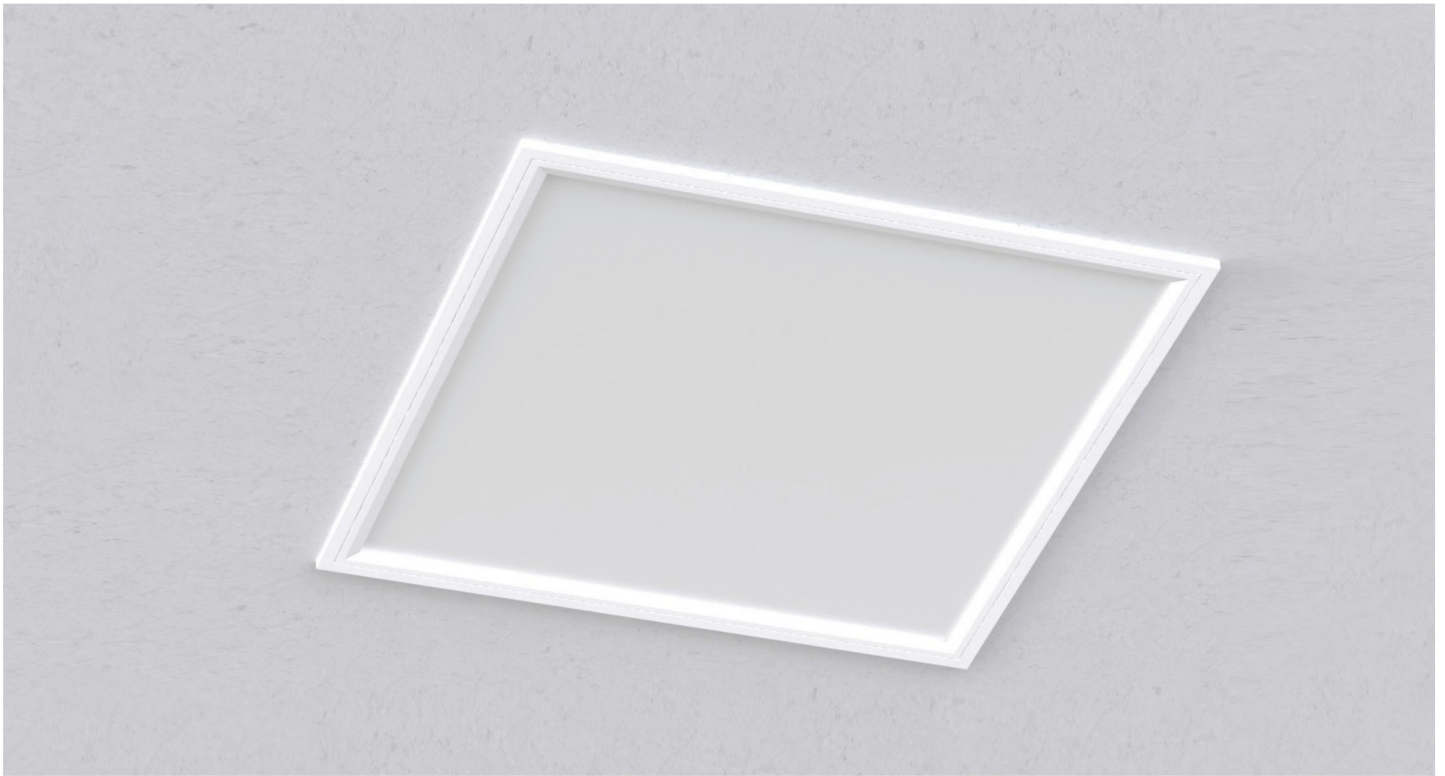


CE			

- Suspension brackets from galvanized steel thickness 1,5mm, necessary for the installation in plasterboard.
- 15 BS min.18mm, max. 45mm
- 15 ZH min.45mm, max. 72mm

Code	Description
303001	15 BS (4 pieces)
303005	15 ZH (4 pieces)



**SLICE**

The SLICE recessed-mounted luminaire with its opal cover provides perfect lighting comfort and glare-free lighting. The luminaire unit impresses with its design and unique uniform.

**Technical Features**

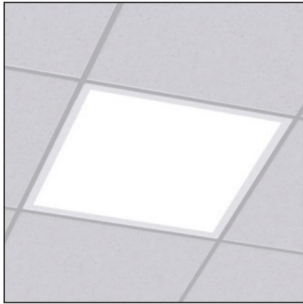
- Recessed luminaire for panels in mineral fibre with exposed structure or plasterboard ceiling 600x600mm.
- Steel body painted electrostatically.
- High efficient satin PMMA cover.
- Last generation high efficient LED CHIP.
- Pure light without IR/UV radiation.
- Operation life: 50,000 hours with efficiency > 70% of the initial luminous flux.
- Connection for operation on 230V-50/60Hz with electronic ballast.

**Upon Request**

- Connection for operation on 230V-50/60Hz with dimmer dali or 1-10VDC ballast.

SLICE

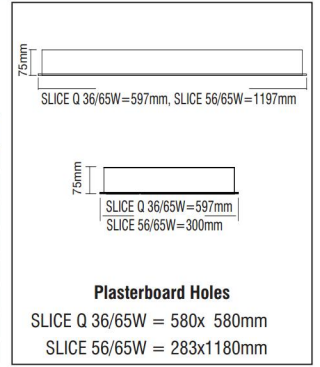
SLICE



CE	F	⊕	IP 20
LED	ta 25°C	Included	

- Version for LED CHIP.
- High efficient satin PMMA cover.
- Suspension brackets not included.

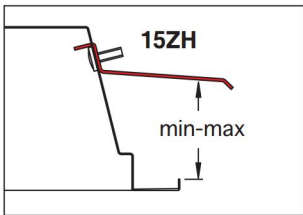
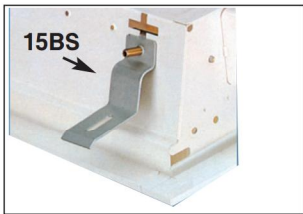
Code	Description
36301	Slice Q Led 36W 5000 lm Neutral
36302	Slice Q Led 36W 5000 lm Warm
36303	Slice Q Led 65W 8750 lm Neutral
36304	Slice Q Led 65W 8750 lm Warm
36305	Slice Led 56W 6200 lm Neutral
36306	Slice Led 56W 6200 lm Warm
36307	Slice Led 65W 8800 lm Neutral
36308	Slice Led 65W 8800 lm Warm



Colour Codes:

- 0 Colours 1 White 2 Titan

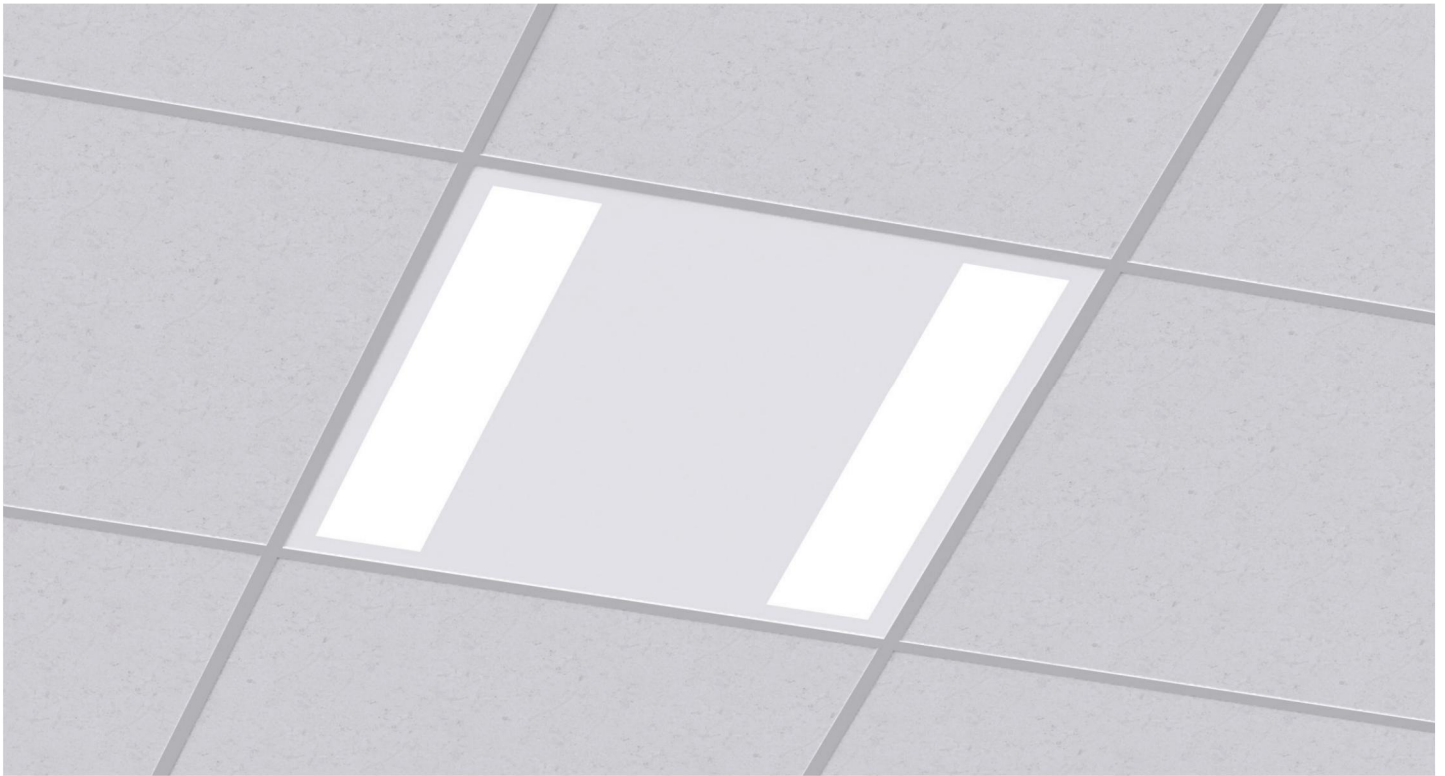
ACCESSORIES - SUSPENSION BRACKETS



CE			

- Suspension brackets from galvanized steel thickness 1,5mm, necessary for the installation in plasterboard.
- **15 BS** min.18mm, max. 45mm
- **15 ZH** min.45mm, max. 72mm

Code	Description
303001	15 BS (4 pieces)
303005	15 ZH (4 pieces)

**FOGLIO**

The FOGLIO recessed-mounted luminaire with its opal cover provides perfect lighting comfort and glare-free lighting. The luminaire unit impresses with its design and unique uniform.

**Technical Features**

- Recessed luminaire for panels in mineral fibre with exposed structure 600x600mm & 300x1200mm.
- Steel body painted electrostatically.
- High efficient satin PMMA cover.
- Last generation high efficient LED CHIP.
- Pure light without IR/UV radiation.
- Operation life: 50,000 hours with efficiency > 70% of the initial luminous flux.
- Connection for operation on 230V-50/60Hz with electronic ballast.

**Upon Request**

- Connection for operation on 230V-50/60Hz with dimmer dali or 1-10VDC ballast.
- Connection for emergency lighting system, for one or three hours.

FOGLIO

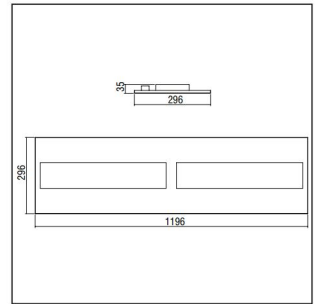
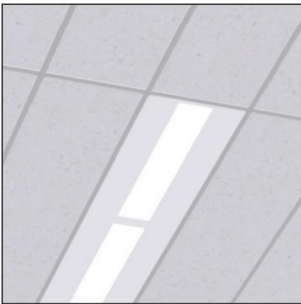
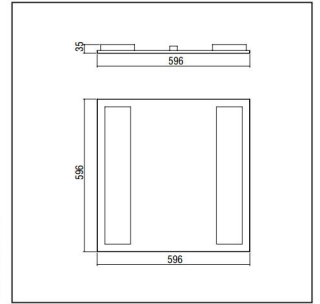
FOGLIO



CE	F	⊕	IP 20
LED	ta 25°C	Included	

- Version for LED CHIP.  
- High efficient satin PMMA cover.

Code	Description
36401	Foglio Q Led 28W 3100 lm Neutral
36402	Foglio Led 28W 3100 lm Neutral



Colour Codes:

- 0 Colours 1 White 2 Titan



**SOFT LIGHT L 610**

A recessed 600x600mm luminaire with special geometrical structure. The combination of the reflective recuperator and the micro-perforated lamp cover gives a direct-indirect light distribution, suitable for areas where soft, mostly indirect, illumination is required.

**Technical Features**

- Recessed luminaire for panels in mineral fibre with expose structure or plasterboard ceiling 600x600mm.
- Steel body painted electrostatically.
- Steel parabolic recuperator with high reflectivity in white colour.
- Micro-perforated reflector from steel, painted in white colour, covered with reflection film.
- Connection for operation on 230V-50/60Hz with electronic ballast.

**Upon Request**

- Connection for operation on 230V-50/60Hz with dimmer dali or 1-10VDC ballast.
- Connection for emergency lighting system.

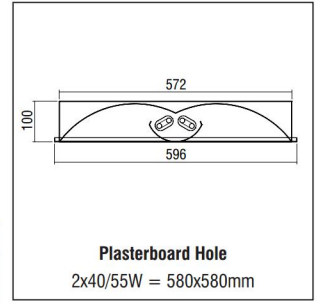
SOFT LIGHT L 610

SOFT LIGHT L 610



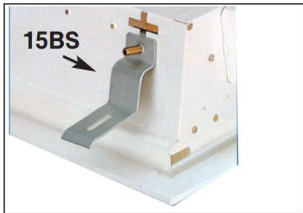
CE	F	⊕	IP 20
TC-L			
2G11			
		Included	

- Version for TC-L/2G11.
- Steel parabolic recuperator with high reflectivity in white colour.
- Micro-perforated reflector from steel, painted in white colour covered with reflection film.
- Suspension brackets not included.



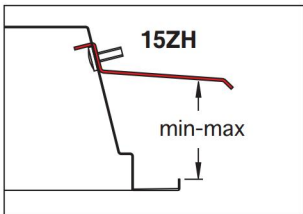
Code	Description
351493	Soft Light L 612x40W
351523	Soft Light L 612x55W

ACCESSORIES - SUSPENSION BRACKETS



CE			

- Suspension brackets from galvanized steel thickness 1,5mm, necessary for the installation in plasterboard.
- **15 BS** min.18mm, max. 45mm
- **15 ZH** min.45mm, max. 72mm



Code	Description
303001	15 BS (4 pieces)
303005	15 ZH (4 pieces)



**SOFT LIGHT L 620**

A recessed 600x600mm luminaire with special geometrical structure. The indirect light distribution makes it suitable for areas where soft light is required, like waiting rooms, transit areas and halls.

**Technical Features**

- Recessed luminaire for panels in mineral fibre with expose structure or plasterboard ceiling 600x600mm.
- Steel body painted electrostatically.
- Steel parabolic recuperator with high reflectivity in white colour.
- Steel reflector in white colour.
- Connection for operation on 230V-50/60Hz with electronic ballast.

**Upon Request**

- Connection for operation on 230V-50/60Hz with dimmer dali or 1-10VDC ballast.
- Connection for emergency lighting system.



SOFT LIGHT L 620

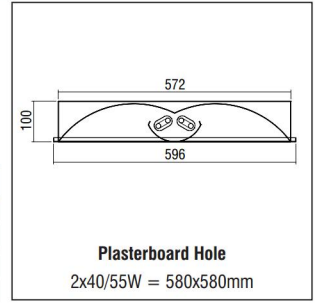
SOFT LIGHT L 620



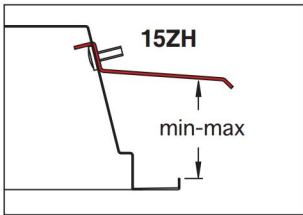
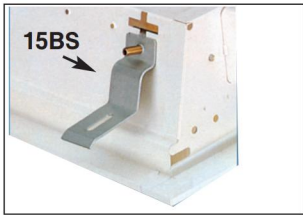
CE	F	⊕	IP 20
TC-L			
2611			
		Included	

- Version for TC-L/2G11.
- Steel parabolic recuperator with high reflectivity in white colour.
- Steel reflector in white colour.
- Suspension brackets not included.

Code	Description
352483	Soft Light L 621x40W
352533	Soft Light L 621x55W
352493	Soft Light L 622x40W
352523	Soft Light L 622x55W



ACCESSORIES - SUSPENSION BRACKETS



CE			

- Suspension brackets from galvanized steel thickness 1,5mm, necessary for the installation in plasterboard.
- **15 BS** min.18mm, max. 45mm
- **15 ZH** min.45mm, max. 72mm

Code	Description
303001	15 BS (4 pieces)
303005	15 ZH (4 pieces)



**SOFT LIGHT L 630**

This professional recessed luminaire meets the increasingly exacting requirements placed on workplace lighting. It combines perfect direct/indirect light distribution with modern styling and high light output ratios.

**Technical Features**

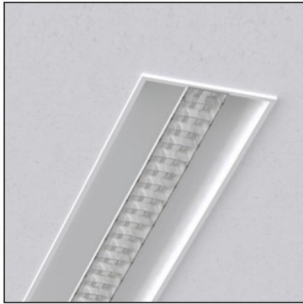
- Recessed luminaire for panels in mineral fibre with expose structure or plasterboard ceiling 1200x600mm.
- Steel body painted electrostatically.
- Parabolic louvre from anodized non iridescent specular aluminium.
- Steel parabolic recuperator with high reflectivity in white colour.
- Connection for operation on 230V-50/60Hz with electronic ballast.

**Upon Request**

- Connection for operation on 230V-50/60Hz with dimmer dali or 1-10VDC ballast.
- Connection for emergency lighting system.

SOFT LIGHT L 630

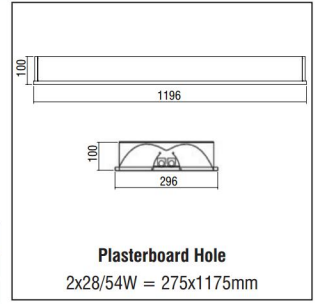
SOFT LIGHT L 630



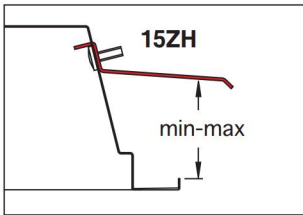
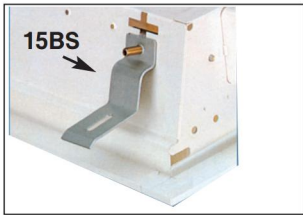
CE	F	⊕	IP 20
T16			
G5			
		Included	

- Version for T16/G5.
- Parabolic louvre from anodized non iridescent specular aluminium.
- Steel parabolic recuperator with high reflectivity in white colour.
- Suspension brackets not included.

Code	Description
353243	Soft Light L 632x28W
353363	Soft Light L 632x54W



ACCESSORIES - SUSPENSION BRACKETS

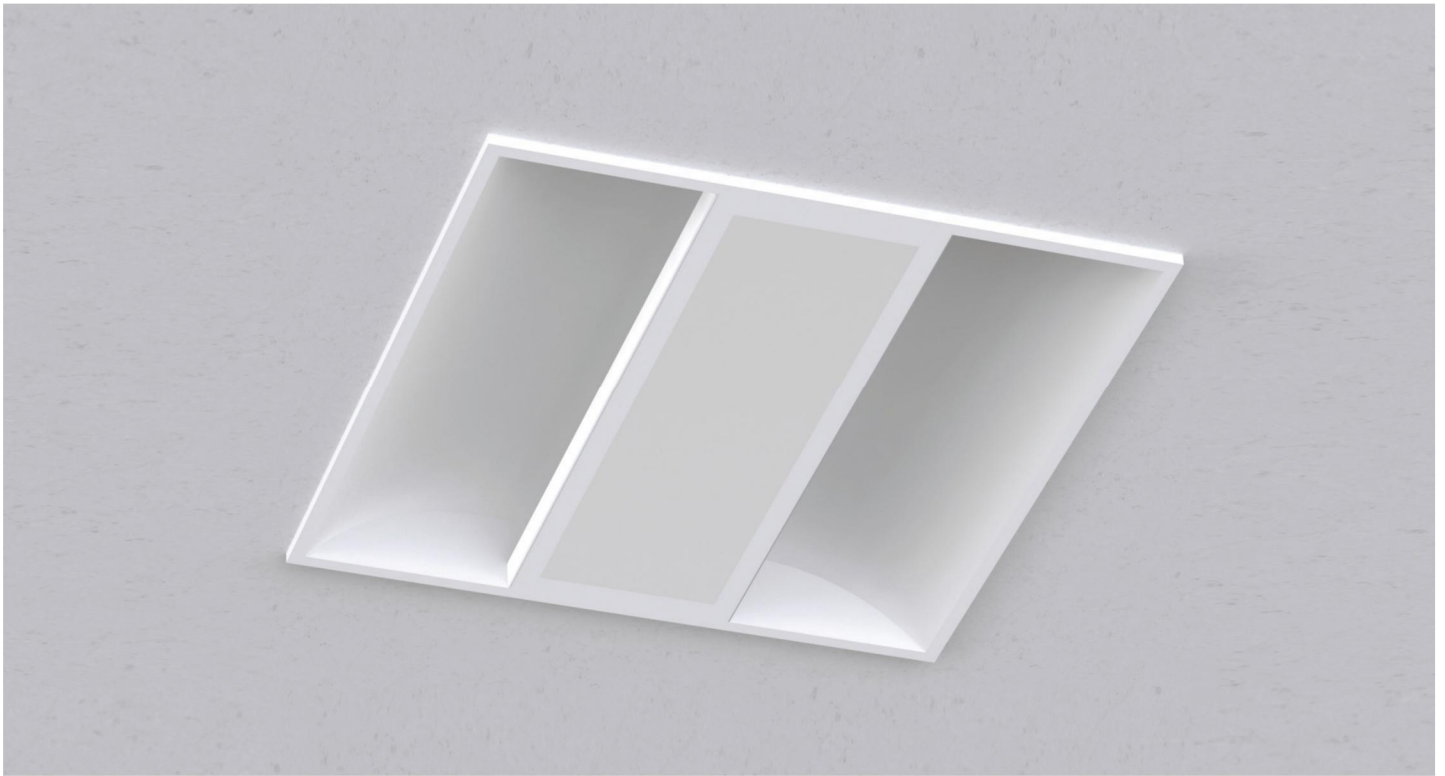


CE			

- Suspension brackets from galvanized steel thickness 1,5mm, necessary for the installation in plasterboard.
- **15 BS** min.18mm, max. 45mm
- **15 ZH** min.45mm, max. 72mm

Code	Description
303001	15 BS (4 pieces)
303005	15 ZH (4 pieces)



**SOFT LIGHT L 660**

A recessed 600x600mm luminaire with unique architectural identity. The opal glare-free lamp cover and the direct-indirect light distribution make L660 suitable for offices, waiting rooms, transit areas and halls.

**Technical Features**

- Recessed luminaire for panels in mineral fibre with expose structure or plasterboard ceiling 600x600mm.
- Steel body painted electrostatically.
- Steel parabolic recuperator with high reflectivity in white colour.
- Lamps cover from opal methacrylate.
- Connection for operation on 230V-50/60Hz with electronic ballast.

**Upon Request**

- Connection for operation on 230V-50/60Hz with dimmer dali or 1-10VDC ballast.
- Connection for emergency lighting system.

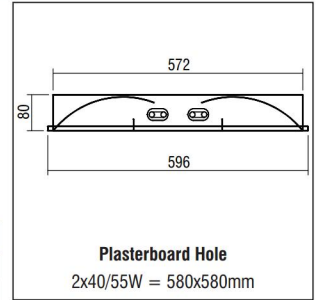
SOFT LIGHT L 660

SOFT LIGHT L 660



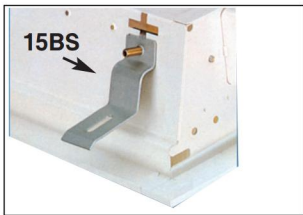
CE	F	⊕	IP 20
TC-L			
2611			
		Included	

- Version for TC-L/2G11.
- Steel parabolic recuperator with high reflectivity in white colour.
- Lamps cover from opal methacrylate.
- Suspension brackets not included.



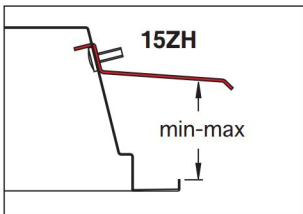
Code	Description
357493	Soft Light L 662x40W
357523	Soft Light L 662x55W

ACCESSORIES - SUSPENSION BRACKETS



CE			

- Suspension brackets from galvanized steel thickness 1,5mm, necessary for the installation in plasterboard.
- **15 BS** min.18mm, max. 45mm
- **15 ZH** min.45mm, max. 72mm



Code	Description
303001	15 BS (4 pieces)
303005	15 ZH (4 pieces)



**SOFT LIGHT L 670**

A recessed 600x600mm luminaire with special geometrical structure. The combination of the parabolic louvre and the micro-perforated reflector gives a direct-indirect light distribution, suitable for environments where diffuse and soft light is required for optimal visual comfort.

**Technical Features**

- Recessed luminaire for panels in mineral fibre with expose structure or plasterboard ceiling 600x600mm.
- Steel body painted electrostatically.
- Steel parabolic recuperator with high reflectivity in white colour.
- Micro-perforated reflector, from steel, painted in white colour, covered with reflection film.
- Parabolic louvre from specular aluminium.
- Connection for operation on 230V-50/60Hz with electronic ballast.

**Upon Request**

- Connection for operation on 230V-50/60Hz with dimmer dali or 1-10VDC ballast.
- Connection for emergency lighting system.

SOFT LIGHT L 670

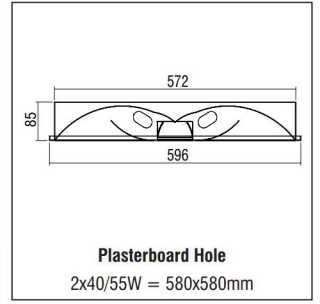
SOFT LIGHT L 670



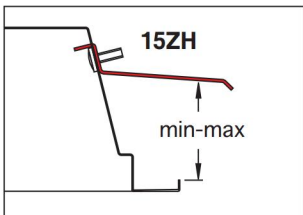
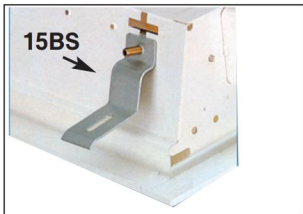
CE	F	⊕	IP 20
TC-L			
2611			
		Included	

- Version for TC-L/2G11.
- Steel parabolic recuperator with high reflectivity in white colour.
- Micro-perforated reflector.
- Parabolic louvre.
- Suspension brackets not included.

Code	Description
354493	Soft Light L 672x40W
354523	Soft Light L 672x55W



ACCESSORIES - SUSPENSION BRACKETS



CE			

- Suspension brackets from galvanized steel thickness 1,5mm, necessary for the installation in plasterboard.
- **15 BS** min.18mm, max. 45mm
- **15 ZH** min.45mm, max. 72mm

Code	Description
303001	15 BS (4 pieces)
303005	15 ZH (4 pieces)



**SOFT LIGHT L 680**

A recessed 600x600mm luminaire with unique architectural identity. Due to the combination of the reflective recuperator and the micro-perforated reflector it is suitable for areas where soft, mostly indirect, illumination is required.

**Technical Features**

- Recessed luminaire for panels in mineral fibre with expose structure or plasterboard ceiling 600x600mm.
- Steel body painted electrostatically.
- Steel parabolic recuperator with high reflectivity in white colour.
- Micro-perforated reflector, from steel, painted in white colour, covered with reflection film.
- Connection for operation on 230V-50/60Hz with electronic ballast.

**Upon Request**

- Connection for operation on 230V-50/60Hz with dimmer dali or 1-10VDC ballast.
- Connection for emergency lighting system.



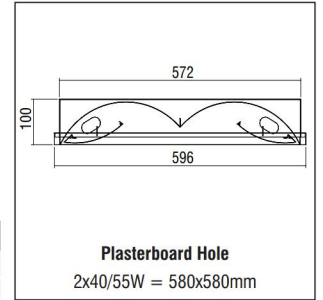
SOFT LIGHT L 680

SOFT LIGHT L 680



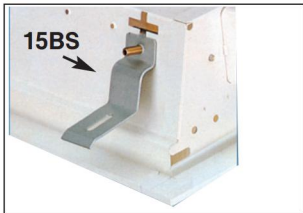
CE	F	⊕	IP 20
TC-L			
2611			
		Included	

- Version for TC-L/2G11.
- Steel parabolic recuperator with high reflectivity in white colour.
- Micro-perforated reflector.
- Suspension brackets not included.



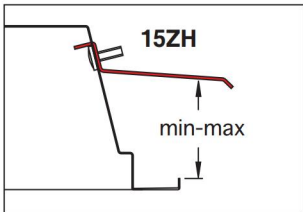
Code	Description
356493	Soft Light L 682x40W
356523	Soft Light L 682x55W

ACCESSORIES - SUSPENSION BRACKETS



CE			

- Suspension brackets from galvanized steel thickness 1,5mm, necessary for the installation in plasterboard.
- **15 BS** min.18mm, max. 45mm
- **15 ZH** min.45mm, max. 72mm



Code	Description
303001	15 BS (4 pieces)
303005	15 ZH (4 pieces)



WW



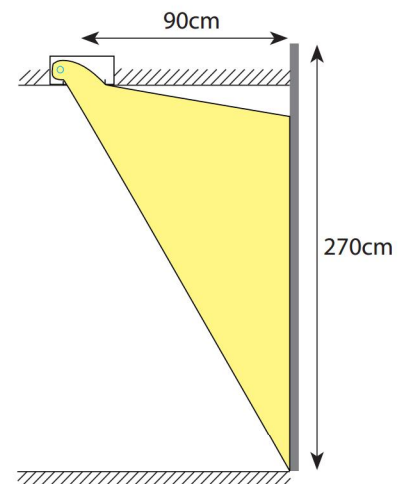
This recessed wallwasher luminaire performs its function: the uniform illumination of vertical surfaces, while being in compliance with all lighting requirements.

### Technical Features

- Recessed luminaire for panels in mineral fibre with expose structure or plasterboard ceiling 600x600mm.
- Steel body painted electrostatically.
- Wallwasher recuperator from anodized matt aluminium, for uniform vertical illumination of walls, panels, selves, blackboards and exhibition cases.
- Connection for operation on 230V-50/60Hz with electronic ballast.

#### Upon Request

- Connection for operation on 230V-50/60Hz with dimmer dali or 1-10VDC ballast.
- Connection for emergency lighting system.



WW

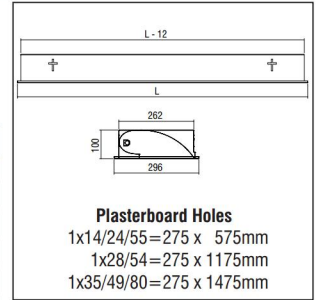
WW



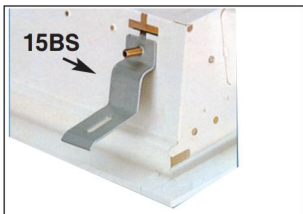
CE	F	⊕	IP 20
T16	TC-L		
G5	2611		
		Included	

- Version for T16/G5, TC-L/2G11.
- Wallwasher recuperator from anodized matt aluminium.
- Suspension brackets not included.

Code	Description
371173	WW 1x14W
371273	WW 1x24W
371513	WW 1x55W
371233	WW 1x28W
371353	WW 1x54W
371253	WW 1x35W
371333	WW 1x49W
371393	WW 1x80W



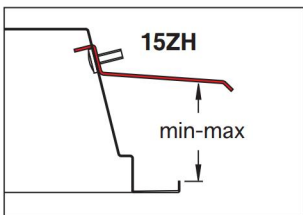
ACCESSORIES - SUSPENSION BRACKETS



CE			

- Suspension brackets from galvanized steel thickness 1,5mm, necessary for the installation in plasterboard.
- **15 BS** min.18mm, max. 45mm
- **15 ZH** min.45mm, max. 72mm

Code	Description
303001	15 BS (4 pieces)
303005	15 ZH (4 pieces)



WW

