

PRISMA



Technical Features

- Luminaires for fluorescent lamps T16, T26 and fluorescent compact lamps TC-S (G23), TC-SEL(2G7), TC-L (2G11).
- Steel body with polygonal form, electrostatically painted in white color.
- Connection for operation on 230V-50/60Hz with conventional ballast and power factor correction capacitor (lamps T26, TC-S, TC-L).
- Connection for operation on 230V-50/60Hz with electronic ballast (lamps T26, T16, TC-SEL, TC-L).
- Connection for operation with electronic ballast dimmable (lamps T26, T16, TC-SEL, TC-L).
- Connection for emergency lighting system (lamps T26, T16, TC-L [36W]).

Upon request:

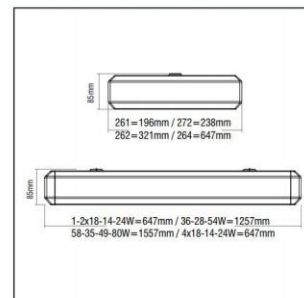
- Body and accessories in various colours (RAL)

PRISMA

PRISMA P2M



- Screen 2M with parabolic transverse louvers and double parabolic longitudinal components (reflectors) from anodized non iridescent specular aluminium. 2M louvres have illuminance <math><200\text{cd/m}^2</math> for radial angles >math>65^\circ</math> at the luminaires PRISMA 261 & 262, while at the luminaires PRISMA 272 they have illuminance <math><1000\text{cd/m}^2</math> for radial angles >math>65^\circ</math>.
- At the luminaires PRISMA 272, the screens do not have longitudinal central elements V.



Description	Dimensions	Conventional Ballast and capacitor Code	Electronic Ballast Code
P2M 261x18W T26	196x 647x 85	221012	221013
P2M 261x36W T26	196x1257x85	221112	221113
P2M 261x58W T26	196x1557x85	221152	221153
P2M 262x18W T26	321x 647x85	241022	241023
P2M 262x36W T26	321x1257x85	241122	241123
P2M 262x58W T26	321x1557x85	241162	241163
P2M 264x18W T26	647x 647x 85	241042	241043
P2M 272x18W T26	238x 647x 85	231022	231023
P2M 272x36W T26	238x1257x85	231122	231123
P2M 272x58W T26	238x1557x85	231162	231163
P2M 261x13/14W T16	196x 647x 85		221173
P2M 261x20/24W T16	196x 647x 85		221273
P2M 261x25/28W T16	196x1257x85		221233
P2M 261x50/54W T16	196x1257x85		221353
P2M 261x32/35W T16	196x1557x85		221253
P2M 261x45/49W T16	196x1557x85		221333
P2M 261x73/80W T16	196x1557x85		221393
P2M 262x13/14W T16	321x 647x85		241183
P2M 262x20/24W T16	321x 647x85		241283
P2M 262x25/28W T16	321x1257x85		241243
P2M 262x50/54W T16	321x1257x85		241363
P2M 262x32/35W T16	321x1557x85		241263
P2M 262x45/49W T16	321x1557x85		241343
P2M 262x73/80W T16	321x1557x85		241403
P2M 264x13/14W T16	647x 647x 85		241203
P2M 264x20/24W T16	647x 647x 85		241303
P2M 272x13/14W T16	238x 647x 85		231183
P2M 272x20/24W T16	238x 647x 85		231283
P2M 272x25/28W T16	238x1257x85		231243
P2M 272x50/54W T16	238x1257x85		231363
P2M 272x32/35W T16	238x1557x85		231263
P2M 272x45/49W T16	238x1557x85		231343
P2M 262x11W TC-S / TC-SEL	321x321x85	241782	
P2M 262x18W TC-L	321x321x85	241422	241423
P2M 262x36W TC-L	321x518x85	241462	241463

Number of the luminaire's lamps: the third digit of the first number (at the description) corresponds to the number of lamps eg 261x18W = 1x18W.

PRISMA

PRISMA P2S



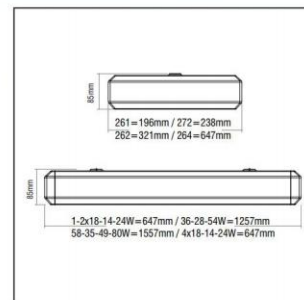





T16 / GS	T26	TC-S	TC-L
OSRAM: T16 PHILIPS: TL5	OSRAM: T26 PHILIPS: TL-D	OSRAM: DULUX S PHILIPS: PL-S	OSRAM: DULUX L PHILIPS: PL-L
TC-SEL			
OSRAM: DULUX SE PHILIPS: PL-SHP			



- Screen 2S with parabolic transverse louvers and double parabolic longitudinal components (reflectors), from anodized non iridescent semi-glossy aluminium. 2S louvres have illuminance <math><200\text{cd/m}^2</math> for radial angles >math>65^\circ</math> at the luminaires PRISMA 261 & 262, while at the luminaires PRISMA 272 they have illuminance <math><1000\text{cd/m}^2</math> for radial angles >math>65^\circ</math>.
- At the luminaires PRISMA 272, the screens do not have longitudinal central elements V.



Description	Dimensions	Conventional Ballast and capacitor Code	Electronic Ballast Code
P2S 261x18W T26	196x 647x 85	222012	222013
P2S 261x36W T26	196x1257x85	222112	222113
P2S 261x58W T26	196x1557x85	222152	222153
P2S 262x18W T26	321x 647x85	242022	242023
P2S 262x36W T26	321x1257x85	242122	242123
P2S 262x58W T26	321x1557x85	242162	242163
P2S 264x18W T26	647x 647x 85	242042	242043
P2S 272x18W T26	238x 647x 85	232022	232023
P2S 272x36W T26	238x1257x85	232122	232123
P2S 272x58W T26	238x1557x85	232162	232163
P2S 261x13/14W T16	196x 647x 85		222173
P2S 261x20/24W T16	196x 647x 85		222273
P2S 261x25/28W T16	196x1257x85		222233
P2S 261x50/54W T16	196x1257x85		222353
P2S 261x32/35W T16	196x1557x85		222253
P2S 261x45/49W T16	196x1557x85		222333
P2S 261x73/80W T16	196x1557x85		222393
P2S 262x13/14W T16	321x 647x85		242183
P2S 262x20/24W T16	321x 647x85		242283
P2S 262x25/28W T16	321x1257x85		242243
P2S 262x50/54W T16	321x1257x85		242363
P2S 262x32/35W T16	321x1557x85		242263
P2S 262x45/49W T16	321x1557x85		242343
P2S 262x73/80W T16	321x1557x85		242403
P2S 264x13/14W T16	647x 647x 85		242203
P2S 264x20/24W T16	647x 647x 85		242303
P2S 272x13/14W T16	238x 647x 85		232183
P2S 272x20/24W T16	238x 647x 85		232283
P2S 272x25/28W T16	238x1257x85		232243
P2S 272x50/54W T16	238x1257x85		232363
P2S 272x32/35W T16	238x1557x85		232263
P2S 272x45/49W T16	238x1557x85		232343
P2S 262x11W TC-S / TC-SEL	321x321x85	242782	
P2S 262x18W TC-L	321x321x85	242422	242423
P2S 262x36W TC-L	321x518x85	242462	242463

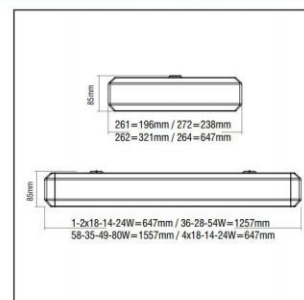
Number of the luminaire's lamps: the third digit of the first number (at the description) corresponds to the number of lamps eg 261x18W = 1x18W.

PRISMA

PRISMA P3M



- Screen 3M with square cell section, parabolic transverse louvers and double parabolic longitudinal components (reflectors), from anodized non iridescent specular aluminium.
- At the luminaires PRISMA 272, the screens do not have longitudinal central elements V.

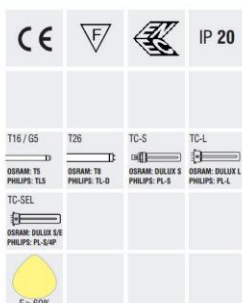


Description	Dimensions	Conventional Ballast and capacitor Code	Electronic Ballast Code
P3M 261x18W T26	196x 647x 85	223012	223013
P3M 261x36W T26	196x1257x85	223112	223113
P3M 261x58W T26	196x1557x85	223152	223153
P3M 262x18W T26	321x 647x85	243022	243023
P3M 262x36W T26	321x1257x85	243122	243123
P3M 262x58W T26	321x1557x85	243162	243163
P3M 264x18W T26	647x 647x 85	243042	243043
P3M 272x18W T26	238x 647x 85	233022	233023
P3M 272x36W T26	238x1257x85	233122	233123
P3M 272x58W T26	238x1557x85	233162	233163
P3M 261x13/14W T16	196x 647x 85		223173
P3M 261x20/24W T16	196x 647x 85		223273
P3M 261x25/28W T16	196x1257x85		223233
P3M 261x50/54W T16	196x1257x85		223353
P3M 261x32/35W T16	196x1557x85		223253
P3M 261x45/49W T16	196x1557x85		223333
P3M 261x73/80W T16	196x1557x85		223393
P3M 262x13/14W T16	321x 647x85		243183
P3M 262x20/24W T16	321x 647x85		243283
P3M 262x25/28W T16	321x1257x85		243243
P3M 262x50/54W T16	321x1257x85		243363
P3M 262x32/35W T16	321x1557x85		243263
P3M 262x45/49W T16	321x1557x85		243343
P3M 262x73/80W T16	321x1557x85		243403
P3M 264x13/14W T16	647x 647x 85		243203
P3M 264x20/24W T16	647x 647x 85		243303
P3M 272x13/14W T16	238x 647x 85		233183
P3M 272x20/24W T16	238x 647x 85		233283
P3M 272x25/28W T16	238x1257x85		233243
P3M 272x50/54W T16	238x1257x85		233363
P3M 272x32/35W T16	238x1557x85		233263
P3M 272x45/49W T16	238x1557x85		233343
P3M 262x11W TC-S / TC-SEL	321x321x85	243782	
P3M 262x18W TC-L	321x321x85	243422	243423
P3M 262x36W TC-L	321x518x85	243462	243463

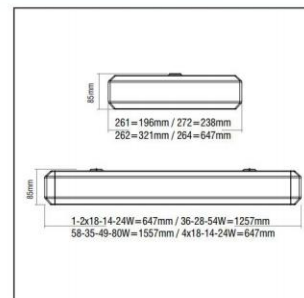
Number of the luminaire's lamps: the third digit of the first number (at the description) corresponds to the number of lamps eg 261x18W = 1x18W.

PRISMA

PRISMA P3V



- Screen 3V with square cell section, with parabolic transverse louvers and double parabolic longitudinal components (reflectors), in white painted aluminium.
- At the luminaires PRISMA 272, the screens do not have longitudinal central elements V.



Description	Dimensions	Conventional Ballast and capacitor Code	Electronic Ballast Code
P3V 261x18W T26	196x 647x 85	224012	224013
P3V 261x36W T26	196x1257x85	224112	224113
P3V 261x58W T26	196x1557x85	224152	224153
P3V 262x18W T26	321x 647x85	244022	244023
P3V 262x36W T26	321x1257x85	244122	244123
P3V 262x58W T26	321x1557x85	244162	244163
P3V 264x18W T26	647x 647x 85	244042	244043
P3V 272x18W T26	238x 647x 85	234022	234023
P3V 272x36W T26	238x1257x85	234122	234123
P3V 272x58W T26	238x1557x85	234162	234163
P3V 261x13/14W T16	196x 647x 85		224173
P3V 261x20/24W T16	196x 647x 85		224273
P3V 261x25/28W T16	196x1257x85		224233
P3V 261x50/54W T16	196x1257x85		224353
P3V 261x32/35W T16	196x1557x85		224253
P3V 261x45/49W T16	196x1557x85		224333
P3V 261x73/80W T16	196x1557x85		224393
P3V 262x13/14W T16	321x 647x85		244183
P3V 262x20/24W T16	321x 647x85		244283
P3V 262x25/28W T16	321x1257x85		244243
P3V 262x50/54W T16	321x1257x85		244363
P3V 262x32/35W T16	321x1557x85		244263
P3V 262x45/49W T16	321x1557x85		244343
P3V 262x73/80W T16	321x1557x85		244403
P3V 264x13/14W T16	647x 647x 85		244203
P3V 264x20/24W T16	647x 647x 85		244303
P3V 272x13/14W T16	238x 647x 85		234183
P3V 272x20/24W T16	238x 647x 85		234283
P3V 272x25/28W T16	238x1257x85		234243
P3V 272x50/54W T16	238x1257x85		234363
P3V 272x32/35W T16	238x1557x85		234263
P3V 272x45/49W T16	238x1557x85		234343
P3V 262x11W TC-S / TC-SEL	321x321x85	244782	
P3V 262x18W TC-L	321x321x85	244422	244423
P3V 262x36W TC-L	321x518x85	244462	244463

Number of the luminaire's lamps: the third digit of the first number (at the description) corresponds to the number of lamps eg 261x18W = 1x18W.

PRISMA

PRISMA PSP



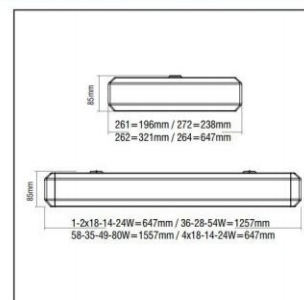
650° C

T16 / G5 T26 TC-S TC-L
OSRAM: T16 PHILIPS: T16 OSRAM: T26 PHILIPS: T26 OSRAM: DULUX S PHILIPS: PL-S OSRAM: DULUX L PHILIPS: PL-L

TC-SEL
OSRAM: DULUX S PHILIPS: PL-S-SP

E>50%

- Flat diffuser from transparent prismatic.
- Frame made of white painted steel, with steel springs for adjusting the cover to the body of the luminaire.



Description	Dimensions	Conventional Ballast and capacitor Code	Electronic Ballast Code
PSP 261x18W T26	196x 647x 85	229012	229013
PSP 261x36W T26	196x1257x85	229112	229113
PSP 261x58W T26	196x1557x85	229152	229153
PSP 262x18W T26	321x 647x85	249022	249023
PSP 262x36W T26	321x1257x85	249122	249123
PSP 262x58W T26	321x1557x85	249162	249163
PSP 264x18W T26	647x 647x 85	249042	249043
PSP 272x18W T26	238x 647x 85	239022	239023
PSP 272x36W T26	238x1257x85	239122	239123
PSP 272x58W T26	238x1557x85	239162	239163
PSP 261x13/14W T16	196x 647x 85		229173
PSP 261x20/24W T16	196x 647x 85		229273
PSP 261x25/28W T16	196x1257x85		229233
PSP 261x50/54W T16	196x1257x85		229353
PSP 261x32/35W T16	196x1557x85		229253
PSP 261x45/49W T16	196x1557x85		229333
PSP 261x73/80W T16	196x1557x85		229393
PSP 262x13/14W T16	321x 647x85		249183
PSP 262x20/24W T16	321x 647x85		249283
PSP 262x25/28W T16	321x1257x85		249243
PSP 262x50/54W T16	321x1257x85		249363
PSP 262x32/35W T16	321x1557x85		249263
PSP 262x45/49W T16	321x1557x85		249343
PSP 262x73/80W T16	321x1557x85		249403
PSP 264x13/14W T16	647x 647x 85		249203
PSP 264x20/24W T16	647x 647x 85		249303
PSP 272x13/14W T16	238x 647x 85		239183
PSP 272x20/24W T16	238x 647x 85		239283
PSP 272x25/28W T16	238x1257x85		239243
PSP 272x50/54W T16	238x1257x85		239363
PSP 272x32/35W T16	238x1557x85		239263
PSP 272x45/49W T16	238x1557x85		239343
PSP 262x11W TC-S / TC-SEL	321x321x85	249782	
PSP 262x18W TC-L	321x321x85	249422	249423
PSP 262x36W TC-L	321x518x85	249462	249463

Number of the luminaire's lamps: the third digit of the first number (at the description) corresponds to the number of lamps eg 261x18W = 1x18W.

PRISMA

PRISMA PSPO








650° C

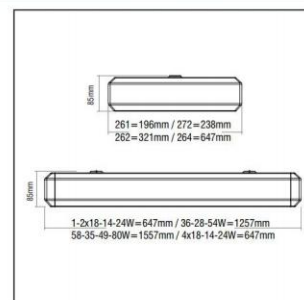
 T16 / GS
 T26
 TC-S
 TC-L

 OSRAM T16 PHILIPS TL5
 OSRAM T26 PHILIPS TL-D
 OSRAM DULUX S PHILIPS PL-S
 OSRAM DULUX L PHILIPS PL-L

 TC-SEL
 OSRAM DULUX S/E PHILIPS PL-S/EP

 E>40%

- Flat diffuser from opal methacrylate.
- Frame made of white painted steel, with steel springs for adjusting the cover to the body of the luminaire.

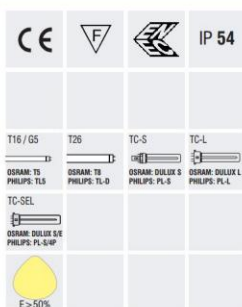
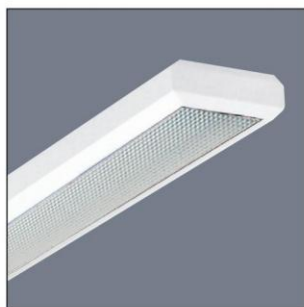


Description	Dimensions	Conventional Ballast and capacitor Code	Electronic Ballast Code
PSPO 261x18W T26	196x 647x 85	220012	220013
PSPO 261x36W T26	196x1257x85	220112	220113
PSPO 261x58W T26	196x1557x85	220152	220153
PSPO 262x18W T26	321x 647x85	240022	240023
PSPO 262x36W T26	321x1257x85	240122	240123
PSPO 262x58W T26	321x1557x85	240162	240163
PSPO 264x18W T26	647x 647x 85	240042	240043
PSPO 272x18W T26	238x 647x 85	230022	230023
PSPO 272x36W T26	238x1257x85	230122	230123
PSPO 272x58W T26	238x1557x85	230162	230163
PSPO 261x13/14W T16	196x 647x 85		220173
PSPO 261x20/24W T16	196x 647x 85		220273
PSPO 261x25/28W T16	196x1257x85		220233
PSPO 261x50/54W T16	196x1257x85		220353
PSPO 261x32/35W T16	196x1557x85		220253
PSPO 261x45/49W T16	196x1557x85		220333
PSPO 261x73/80W T16	196x1557x85		220393
PSPO 262x13/14W T16	321x 647x85		240183
PSPO 262x20/24W T16	321x 647x85		240283
PSPO 262x25/28W T16	321x1257x85		240243
PSPO 262x50/54W T16	321x1257x85		240363
PSPO 262x32/35W T16	321x1557x85		240263
PSPO 262x45/49W T16	321x1557x85		240343
PSPO 262x73/80W T16	321x1557x85		240403
PSPO 264x13/14W T16	647x 647x 85		240203
PSPO 264x20/24W T16	647x 647x 85		240303
PSPO 272x13/14W T16	238x 647x 85		230183
PSPO 272x20/24W T16	238x 647x 85		230283
PSPO 272x25/28W T16	238x1257x85		230243
PSPO 272x50/54W T16	238x1257x85		230363
PSPO 272x32/35W T16	238x1557x85		230263
PSPO 272x45/49W T16	238x1557x85		230343
PSPO 262x11W TC-S / TC-SEL	321x321x85	240782	
PSPO 262x18W TC-L	321x321x85	240422	240423
PSPO 262x36W TC-L	321x518x85	240462	240463

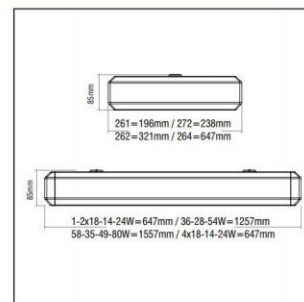
Number of the luminaire's lamps: the third digit of the first number (at the description) corresponds to the number of lamps eg 261x18W = 1x18W.

PRISMA

PRISMA PSP IP54



- Flat diffuser from transparent prismatic.
- Frame made of white painted steel, with sealing gasket and steel springs for adjusting the cover to the body of the luminaire.



Description	Dimensions	Conventional Ballast and capacitor Code	Electronic Ballast Code
PSP 261x18W T26 IP54	196x 647x 85	592012	592013
PSP 261x36W T26 IP54	196x1257x85	592112	592113
PSP 261x58W T26 IP54	196x1557x85	592152	592153
PSP 262x18W T26 IP54	321x 647x85	592022	592023
PSP 262x36W T26 IP54	321x1257x85	592122	592123
PSP 262x58W T26 IP54	321x1557x85	592162	592163
PSP 264x18W T26 IP54	647x 647x 85	592042	592043
PSP 272x18W T26 IP54	238x 647x 85	591022	591023
PSP 272x36W T26 IP54	238x1257x85	591122	591123
PSP 272x58W T26 IP54	238x1557x85	591162	591163
PSP 261x13/14W T16 IP54	196x 647x 85		592173
PSP 261x20/24W T16 IP54	196x 647x 85		592273
PSP 261x25/28W T16 IP54	196x1257x85		592233
PSP 261x50/54W T16 IP54	196x1257x85		592353
PSP 261x32/35W T16 IP54	196x1557x85		592253
PSP 261x45/49W T16 IP54	196x1557x85		592333
PSP 261x73/80W T16 IP54	196x1557x85		592393
PSP 262x13/14W T16 IP54	321x 647x85		592183
PSP 262x20/24W T16 IP54	321x 647x85		592283
PSP 262x25/28W T16 IP54	321x1257x85		592243
PSP 262x50/54W T16 IP54	321x1257x85		592363
PSP 262x32/35W T16 IP5.1	321x1557x85		592263
PSP 262x45/49W T16 IP54	321x1557x85		592343
PSP 262x73/80W T16 IP54	321x1557x85		592403
PSP 264x13/14W T16 IP54	647x 647x 85		592203
PSP 264x20/24W T16 IP54	647x 647x 85		592303
PSP 272x13/14W T16 IP54	238x 647x 85		591183
PSP 272x20/24W T16 IP54	238x 647x 85		591283
PSP 272x25/28W T16 IP54	238x1257x85		591243
PSP 272x50/54W T16 IP54	238x1257x85		591363
PSP 272x32/35W T16 IP54	238x1557x85		591263
PSP 272x45/49W T16 IP54	238x1557x85		591343
PSP 262x11W TC-S / TC-SEL IP54	321x321x85	592782	
PSP 262x18W TC-L IP54	321x321x85	592422	592423
PSP 262x36W TC-L IP54	321x518x85	592462	592463

Number of the luminaire's lamps: the third digit of the first number (at the description) corresponds to the number of lamps eg 261x18W = 1x18W.

PRISMA

PRISMA PSPO IP54



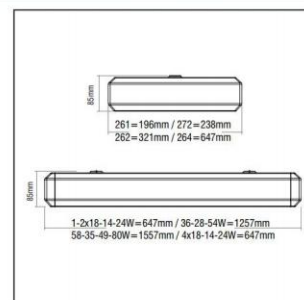
650° C

T16 / GS T26 TC-S TC-L

OSRAM: T16 PHILIPS: T16
 OSRAM: T26 PHILIPS: T26
 OSRAM: DULUX S PHILIPS: PL-S
 OSRAM: DULUX L PHILIPS: PL-L
 OSRAM: DULUX E PHILIPS: PL-E

TC-SEL

- Flat diffuser from opal methacrylate.
- Frame made of white painted steel, with sealing gasket and steel springs for adjusting the cover to the body of the luminaire.



Description	Dimensions	Conventional Ballast and capacitor Code	Electronic Ballast Code
PSP0 261x18W T26 IP54	196x 647x 85	595012	595013
PSP0 261x36W T26 IP54	196x1257x85	595112	595113
PSP0 261x58W T26 IP54	196x1557x85	595152	595153
PSP0 262x18W T26 IP54	321x 647x85	595022	595023
PSP0 262x36W T26 IP54	321x1257x85	595122	595123
PSP0 262x58W T26 IP54	321x1557x85	595162	595163
PSP0 264x18W T26 IP54	647x 647x 85	595042	595043
PSP0 272x18W T26 IP54	238x 647x 85	594022	594023
PSP0 272x36W T26 IP54	238x1257x85	594122	594123
PSP0 272x58W T26 IP54	238x1557x85	594162	594163
PSP0 261x13/14W T16 IP54	196x 647x 85		595173
PSP0 261x20/24W T16 IP54	196x 647x 85		595273
PSP0 261x25/28W T16 IP54	196x1257x85		595233
PSP0 261x50/54W T16 IP54	196x1257x85		595353
PSP0 261x32/35W T16 IP54	196x1557x85		595253
PSP0 261x45/49W T16 IP54	196x1557x85		595333
PSP0 261x73/80W T16 IP54	196x1557x85		595393
PSP0 262x13/14W T16 IP54	321x 647x85		595183
PSP0 262x20/24W T16 IP54	321x 647x85		595283
PSP0 262x25/28W T16 IP54	321x1257x85		595243
PSP0 262x50/54W T16 IP54	321x1257x85		595363
PSP0 262x32/35W T16 IP54	321x1557x85		595263
PSP0 262x45/49W T16 IP54	321x1557x85		595343
PSP0 262x73/80W T16 IP54	321x1557x85		595403
PSP0 264x13/14W T16 IP54	647x 647x 85		595203
PSP0 264x20/24W T16 IP54	647x 647x 85		595303
PSP0 272x13/14W T16 IP54	238x 647x 85		594183
PSP0 272x20/24W T16 IP54	238x 647x 85		594283
PSP0 272x25/28W T16 IP54	238x1257x85		594243
PSP0 272x50/54W T16 IP54	238x1257x85		594363
PSP0 272x32/35W T16 IP54	238x1557x85		594263
PSP0 272x45/49W T16 IP54	238x1557x85		594343
PSP0 262x11W TC-S / TC-SEL IP54	321x321x85	595782	
PSP0 262x18W TC-L IP54	321x321x85	595422	595423
PSP0 262x36W TC-L IP54	321x518x85	595462	595463

Number of the luminaire's lamps: the third digit of the first number (at the description) corresponds to the number of lamps eg 261x18W = 1x18W.

PRISMA

SINGLE ADJUSTABLE SUSPENSION

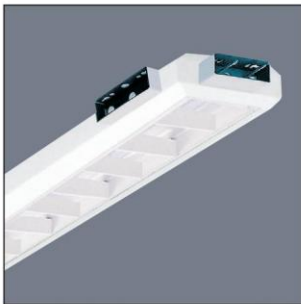


CE

- Single adjustable suspension (only for the luminaires with width 321mm), consisting of stainless steel cable and regulators, length max. 1m.
- Two packs of suspensions are required for every luminaire (each package contains 2 items).

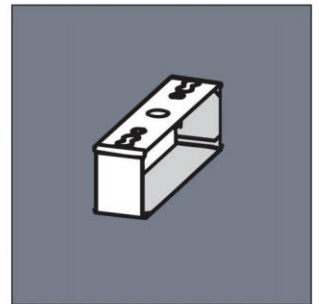
Code	Description	Length
202201	SINGLE ADJUSTABLE SUSPENSION	max. 1m

CONNECTING ELEMENT



CE

- Connecting element to form luminous channels, in white polycarbonate, with internal bracket in galvanized steel, upper holes for suspensions and horizontal holes for the passage of power-supply lines. The connecting element is supplied with mounted tension screws and connected earth cable, and spaces the luminaires of 32mm.



Code	Description	Length
202201	SINGLE ADJUSTABLE SUSPENSION	max. 1m

