

WW



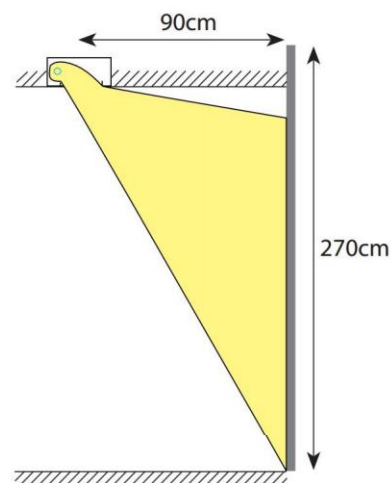
This recessed wallwasher luminaire performs its function: the uniform illumination of vertical surfaces, while being in compliance with all lighting requirements.

Technical Features

- Recessed luminaire for panels in mineral fibre with expose structure or plasterboard ceiling 600x600mm.
- Steel body painted electrostatically.
- Wallwasher recuperator from anodized matt aluminium, for uniform vertical illumination of walls, panels, selves, blackboards and exhibition cases.
- Connection for operation on 230V-50/60Hz with electronic ballast.

Upon Request

- Connection for operation on 230V-50/60Hz with dimmer dali or 1-10VDC ballast.
- Connection for emergency lighting system.



WW

WW

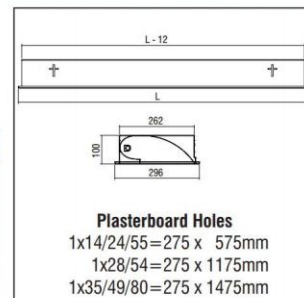


| | |
|-----|------|
| T16 | TC-L |
| G5 | 2G11 |

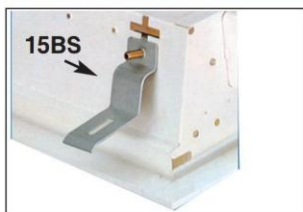
Included

- Version for T16/G5, TC-L/2G11.
- Wallwasher recuperator from anodized matt aluminium.
- Suspension brackets not included.

| Code | Description |
|--------|-------------|
| 371173 | WW 1x14W |
| 371273 | WW 1x24W |
| 371513 | WW 1x55W |
| 371233 | WW 1x28W |
| 371353 | WW 1x54W |
| 371253 | WW 1x35W |
| 371333 | WW 1x49W |
| 371393 | WW 1x80W |



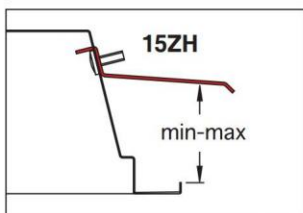
ACCESSORIES - SUSPENSION BRACKETS



| | | | |
|--|--|--|--|
| | | | |
| | | | |
| | | | |
| | | | |

- Suspension brackets from galvanized steel thickness 1,5mm, necessary for the installation in plasterboard.
- **15 BS** min.18mm, max. 45mm
- **15 ZH** min.45mm, max. 72mm

| Code | Description |
|--------|------------------|
| 303001 | 15 BS (4 pieces) |
| 303005 | 15 ZH (4 pieces) |



WW

