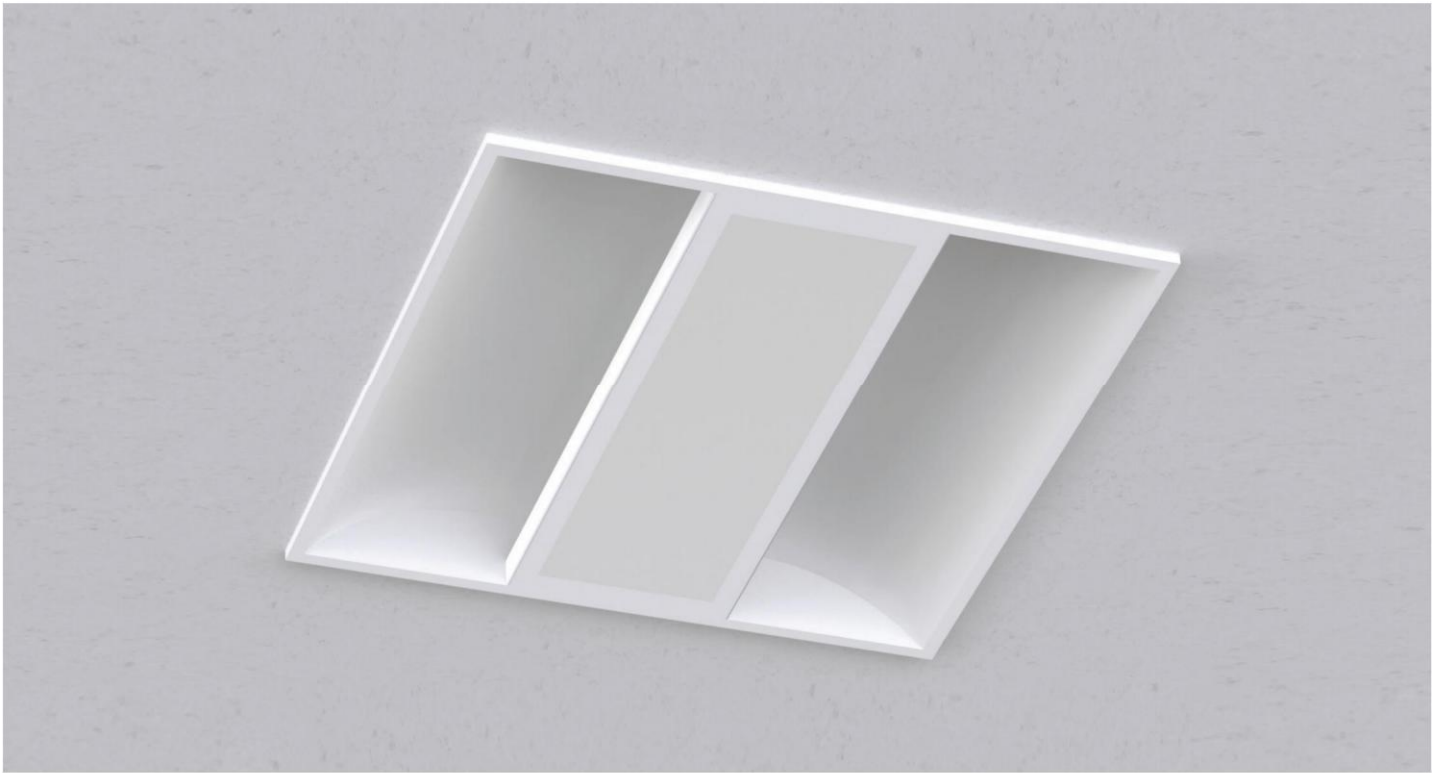


SOFT LIGHT L 660

A recessed 600x600mm luminaire with unique architectural identity. The opal glare-free lamp cover and the direct-indirect light distribution make L660 suitable for offices, waiting rooms, transit areas and halls.

Technical Features

- Recessed luminaire for panels in mineral fibre with expose structure or plasterboard ceiling 600x600mm.
- Steel body painted electrostatically.
- Steel parabolic recuperator with high reflectivity in white colour.
- Lamps cover from opal methacrylate.
- Connection for operation on 230V-50/60Hz with electronic ballast.

Upon Request

- Connection for operation on 230V-50/60Hz with dimmer dali or 1-10VDC ballast.
- Connection for emergency lighting system.

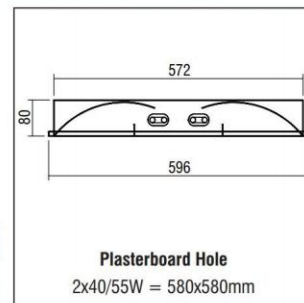
SOFT LIGHT L 660

SOFT LIGHT L 660



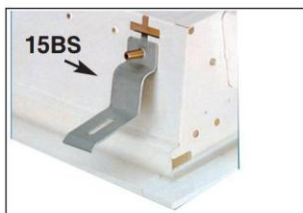
CE	F	⊕	IP 20
TC-L			
2G11			
		Included	

- Version for TC-L/2G11.
- Steel parabolic recuperator with high reflectivity in white colour.
- Lamps cover from opal methacrylate.
- Suspension brackets not included.



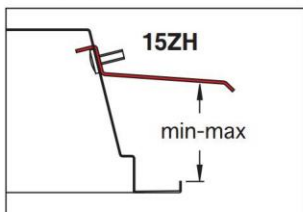
Code	Description
357493	Soft Light L 662x40W
357523	Soft Light L 662x55W

ACCESSORIES - SUSPENSION BRACKETS



CE			

- Suspension brackets from galvanized steel thickness 1,5mm, necessary for the installation in plasterboard.
- **15 BS** min.18mm, max. 45mm
- **15 ZH** min.45mm, max. 72mm



Code	Description
303001	15 BS (4 pieces)
303005	15 ZH (4 pieces)

