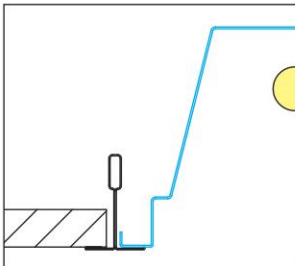


	PAGE
■ L 320.....	60
■ L 320 CLIP IN .....	70
■ L 400.....	78
■ L 550 - 560 .....	84
■ LSV / OVS.....	94
■ L 590 RVS / L 590 OVS .....	96

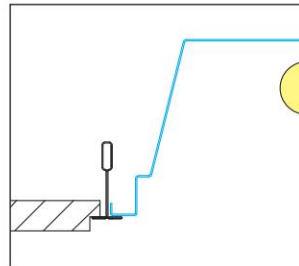
L 320



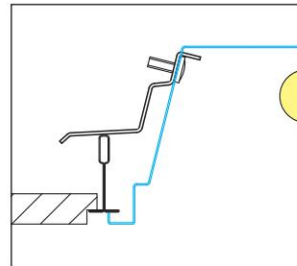
Recessed luminaires for panels in mineral fibre ceilings 600x600, 600x1200 with **exposed structure**.



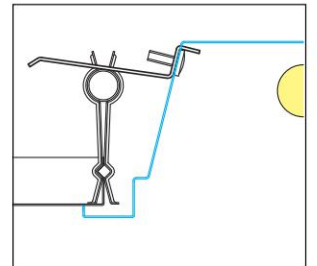
Mineral fiber panels 600x600, 600x1200 with exposed structure. Mounted by fitting on structure.



Mineral fiber panels with frame 600x600, 600x1200 with decoration in relief. Mounted by fitting on structure.



Mineral fiber panels 600x600, 600x1200 with decoration in relief. Mounting with exposed edge, using fixing brackets 15BS.



Metal panels 600x600. Mounting with exposed edge, using fixing brackets 15ZH.

Technical Features

- Luminaires for fluorescent lamps T26, T16 and compact TC-L (2G11).
- Steel body, electrostatically painted in white color.
- Connection for operation on 230V-50Hz with conventional ballast and power factor correction capacitor (lamps T26, TC-L).
- Connection for operation with electronic ballast (lamps T26, T16, TC-L).
- Connection for operation with electronic dimmable ballast (lamps T26, T16, TC-L).
- Connection for emergency lighting system (lamps T26, T16, TC-L).

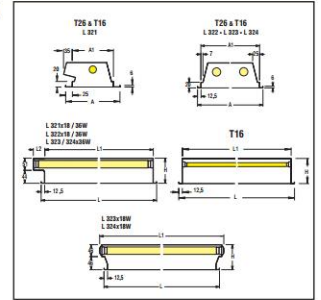
# RECESSED LUMINAIRES - PROFESSIONAL

## L 320

### L 320 LP2M

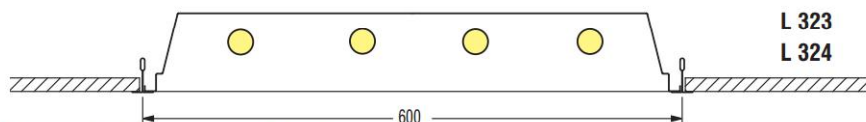
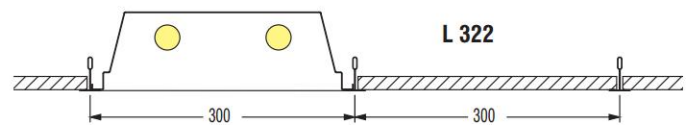
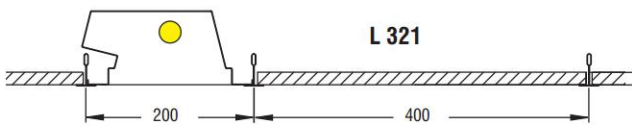


- Louvre 2M with transverse parabolic blades and longitudinal double-parabolic elements (reflectors), from anodized non iridescent specular aluminium.
- 2M louvre have illuminance <math><200\text{cd/m}^2</math> for radial angles >math>65^\circ</math>.



Description	For panels with structure	Dimensions							Conventional Ballast and capacitor Code	Electronic Ballast Code
		A	L	H	A1	L1	L2			
LP2M 321x18W T26	<b>200 x 600</b>	196	596	95	148	587	40	311012	311013	
LP2M 322x18W T26	<b>300 x 600</b>	296	596	95	273	573	40	311022	311023	
LP2M 323x18W T26	<b>600 x 600</b>	596	596	92	573	626		311032	311033	
LP2M 324x18W T26	<b>600 x 600</b>	596	596	92	573	626		311042	311043	
LP2M 321x36W T26	<b>200 x 1200</b>	196	1196	95	148	1187	50	311112	311113	
LP2M 322x36W T26	<b>300 x 1200</b>	296	1196	95	273	1173	50	311122	311123	
LP2M 323x36W T26	<b>600 x 1200</b>	596	1196	95	573	1173	50	311132	311133	
LP2M 324x36W T26	<b>600 x 1200</b>	596	1196	95	573	1173	50	311142	311143	
LP2M 321x13/14W T16	<b>200 x 600</b>	196	596	95	148	587			311173	
LP2M 321x20/24W T16	<b>200 x 600</b>	196	596	95	148	587			311293	
LP2M 322x13/14W T16	<b>300 x 600</b>	296	596	95	273	573			311183	
LP2M 322x20/24W T16	<b>300 x 600</b>	296	596	95	273	573			311303	
LP2M 323x13/14W T16	<b>600 x 600</b>	596	596	95	573	573			311193	
LP2M 323x20/24W T16	<b>600 x 600</b>	596	596	95	573	573			311313	
LP2M 324x13/14W T16	<b>600 x 600</b>	596	596	95	573	573			311203	
LP2M 324x20/24W T16	<b>600 x 600</b>	596	596	95	573	573			311323	
LP2M 321x25/28W T16	<b>200 x 1200</b>	196	1196	95	148	1187			311233	
LP2M 321x50/54W T16	<b>200 x 1200</b>	196	1196	95	148	1187			311373	
LP2M 322x25/28W T16	<b>300 x 1200</b>	296	1196	95	273	1173			311243	
LP2M 322x50/54W T16	<b>300 x 1200</b>	296	1196	95	273	1173			311383	
LP2M 323x25/28W T16	<b>600 x 1200</b>	596	1196	95	573	1173			311253	
LP2M 323x50/54W T16	<b>600 x 1200</b>	596	1196	95	573	1173			311393	
LP2M 324x25/28W T16	<b>600 x 1200</b>	596	1196	95	573	1173			311263	
LP2M 324x50/54W T16	<b>600 x 1200</b>	596	1196	95	573	1173			311403	
LP2M 324x36W TC-L	<b>600 x 600</b>	596	596	95	573	626		311492	311493	
LP2M 324x55W TC-L	<b>600 x 600</b>	596	596	95	573	626			311553	

**Number of the luminaire's lamps:** the third digit of the first number (at the description) corresponds to the number of lamps eg 321x18W = 1x18W.



For the luminaires **L321** & **L322** an extra T profile is required in the ceiling panel.

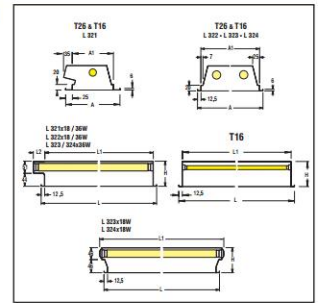
# RECESSED LUMINAIRES - PROFESSIONAL

## L 320

### L 320 LP2S

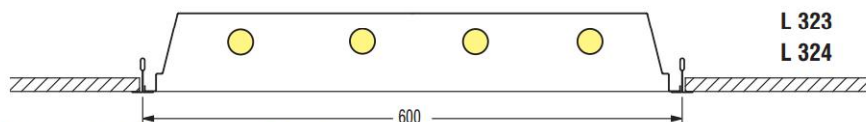
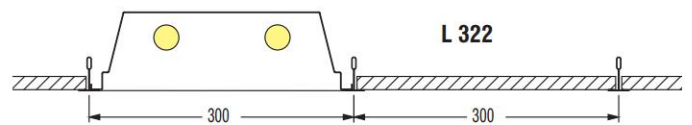
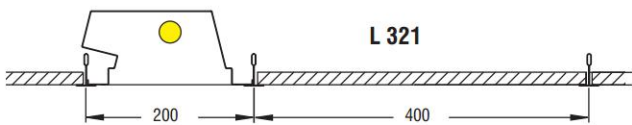


- Louvre 2S with transverse parabolic blades and longitudinal double-parabolic elements (reflectors), from anodized non iridescent semi-glossy aluminium.
- 2S louvre have illuminance <math>< 200\text{cd/m}^2</math> for radial angles >math>65^\circ</math>.



Description	For panels with structure	Dimensions							Conventional Ballast and capacitor Code	Electronic Ballast Code
		A	L	H	A1	L1	L2			
LP2S 321x18W T26	<b>200 x 600</b>	196	596	95	148	587	40	312012	312013	
LP2S 322x18W T26	<b>300 x 600</b>	296	596	95	273	573	40	312022	312023	
LP2S 323x18W T26	<b>600 x 600</b>	596	596	92	573	626		312032	312033	
LP2S 324x18W T26	<b>600 x 600</b>	596	596	92	573	626		312042	312043	
LP2S 321x36W T26	<b>200 x 1200</b>	196	1196	95	148	1187	50	312112	312113	
LP2S 322x36W T26	<b>300 x 1200</b>	296	1196	95	273	1173	50	312122	312123	
LP2S 323x36W T26	<b>600 x 1200</b>	596	1196	95	573	1173	50	312132	312133	
LP2S 324x36W T26	<b>600 x 1200</b>	596	1196	95	573	1173	50	312142	312143	
LP2S 321x13/14W T16	<b>200 x 600</b>	196	596	95	148	587			312173	
LP2S 321x20/24W T16	<b>200 x 600</b>	196	596	95	148	587			312293	
LP2S 322x13/14W T16	<b>300 x 600</b>	296	596	95	273	573			312183	
LP2S 322x20/24W T16	<b>300 x 600</b>	296	596	95	273	573			312303	
LP2S 323x13/14W T16	<b>600 x 600</b>	596	596	95	573	573			312193	
LP2S 323x20/24W T16	<b>600 x 600</b>	596	596	95	573	573			312313	
LP2S 324x13/14W T16	<b>600 x 600</b>	596	596	95	573	573			312203	
LP2S 324x20/24W T16	<b>600 x 600</b>	596	596	95	573	573			312323	
LP2S 321x25/28W T16	<b>200 x 1200</b>	196	1196	95	148	1187			312233	
LP2S 321x50/54W T16	<b>200 x 1200</b>	196	1196	95	148	1187			312373	
LP2S 322x25/28W T16	<b>300 x 1200</b>	296	1196	95	273	1173			312243	
LP2S 322x50/54W T16	<b>300 x 1200</b>	296	1196	95	273	1173			312383	
LP2S 323x25/28W T16	<b>600 x 1200</b>	596	1196	95	573	1173			312253	
LP2S 323x50/54W T16	<b>600 x 1200</b>	596	1196	95	573	1173			312393	
LP2S 324x25/28W T16	<b>600 x 1200</b>	596	1196	95	573	1173			312263	
LP2S 324x50/54W T16	<b>600 x 1200</b>	596	1196	95	573	1173			312403	
LP2S 324x36W TC-L	<b>600 x 600</b>	596	596	95	573	626		312492	312493	
LP2S 324x55W TC-L	<b>600 x 600</b>	596	596	95	573	626			312553	

**Number of the luminaire's lamps:** the third digit of the first number (at the description) corresponds to the number of lamps eg 321x18W = 1x18W.



For the luminaires **L321** & **L322** an extra T profile is required in the ceiling panel.

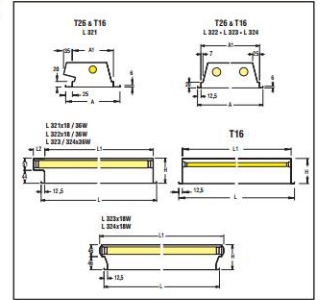
# RECESSED LUMINAIRES - PROFESSIONAL

## L 320

### L 320 LP3M

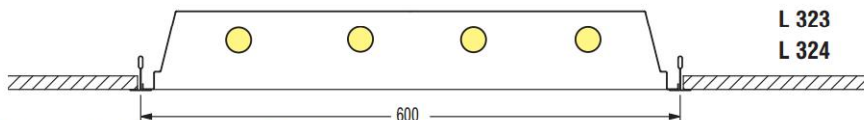
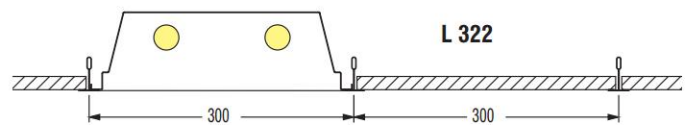
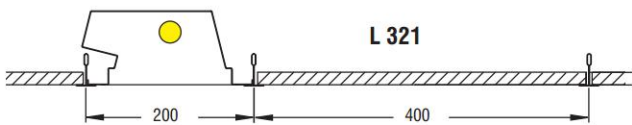


- Louvre 3M with transverse parabolic blades and longitudinal double-parabolic elements (reflectors), with square cell section, from anodized non iridescent specular aluminium.



Description	For panels with structure	Dimensions							Conventional Ballast and capacitor Code	Electronic Ballast Code
		A	L	H	A1	L1	L2			
LP3M 321x18W T26	<b>200 x 600</b>	196	596	95	148	587	40	313012	313013	
LP3M 322x18W T26	<b>300 x 600</b>	296	596	95	273	573	40	313022	313023	
LP3M 323x18W T26	<b>600 x 600</b>	596	596	92	573	626		313032	313033	
LP3M 324x18W T26	<b>600 x 600</b>	596	596	92	573	626		313042	313043	
LP3M 321x36W T26	<b>200 x 1200</b>	196	1196	95	148	1187	50	313112	313113	
LP3M 322x36W T26	<b>300 x 1200</b>	296	1196	95	273	1173	50	313122	313123	
LP3M 323x36W T26	<b>600 x 1200</b>	596	1196	95	573	1173	50	313132	313133	
LP3M 324x36W T26	<b>600 x 1200</b>	596	1196	95	573	1173	50	313142	313143	
LP3M 321x13/14W T16	<b>200 x 600</b>	196	596	95	148	587			313173	
LP3M 321x20/24W T16	<b>200 x 600</b>	196	596	95	148	587			313293	
LP3M 322x13/14W T16	<b>300 x 600</b>	296	596	95	273	573			313183	
LP3M 322x20/24W T16	<b>300 x 600</b>	296	596	95	273	573			313303	
LP3M 323x13/14W T16	<b>600 x 600</b>	596	596	95	573	573			313193	
LP3M 323x20/24W T16	<b>600 x 600</b>	596	596	95	573	573			313313	
LP3M 324x13/14W T16	<b>600 x 600</b>	596	596	95	573	573			313203	
LP3M 324x20/24W T16	<b>600 x 600</b>	596	596	95	573	573			313323	
LP3M 321x25/28W T16	<b>200 x 1200</b>	196	1196	95	148	1187			313233	
LP3M 321x50/54W T16	<b>200 x 1200</b>	196	1196	95	148	1187			313373	
LP3M 322x25/28W T16	<b>300 x 1200</b>	296	1196	95	273	1173			313243	
LP3M 322x50/54W T16	<b>300 x 1200</b>	296	1196	95	273	1173			313383	
LP3M 323x25/28W T16	<b>600 x 1200</b>	596	1196	95	573	1173			313253	
LP3M 323x50/54W T16	<b>600 x 1200</b>	596	1196	95	573	1173			313393	
LP3M 324x25/28W T16	<b>600 x 1200</b>	596	1196	95	573	1173			313263	
LP3M 324x50/54W T16	<b>600 x 1200</b>	596	1196	95	573	1173			313403	
LP3M 324x36W TC-L	<b>600 x 600</b>	596	596	95	573	626		313492	313493	
LP3M 324x55W TC-L	<b>600 x 600</b>	596	596	95	573	626			313553	

**Number of the luminaire's lamps:** the third digit of the first number (at the description) corresponds to the number of lamps eg 321x18W = 1x18W.



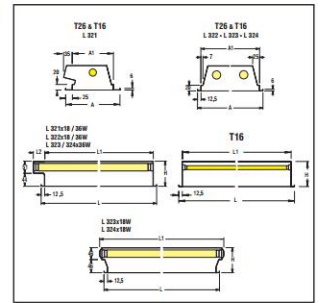
For the luminaires **L321** & **L322** an extra T profile is required in the ceiling panel.

L 320

L 320 LP3V

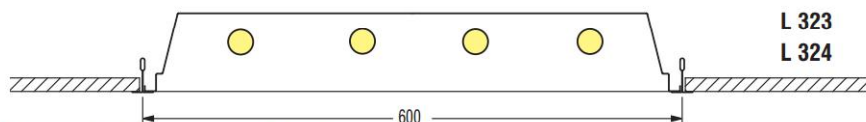
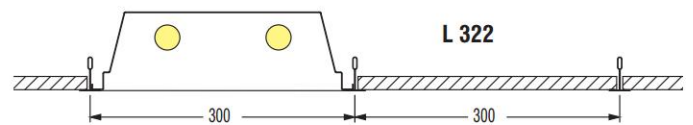
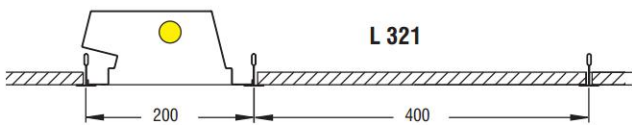


- Louvre 3V with transverse parabolic blades and longitudinal double-parabolic elements (reflectors), with square cell section in white painted steel.



Description	For panels with structure	Dimensions						Conventional Ballast and capacitor Code	Electronic Ballast Code
		A	L	H	A1	L1	L2		
LP3V 321x18W T26	<b>200 x 600</b>	196	596	95	148	587	40	314012	314013
LP3V 322x18W T26	<b>300 x 600</b>	296	596	95	273	573	40	314022	314023
LP3V 323x18W T26	<b>600 x 600</b>	596	596	92	573	626		314032	314033
LP3V 324x18W T26	<b>600 x 600</b>	596	596	92	573	626		314042	314043
LP3V 321x36W T26	<b>200 x 1200</b>	196	1196	95	148	1187	50	314112	314113
LP3V 322x36W T26	<b>300 x 1200</b>	296	1196	95	273	1173	50	314122	314123
LP3V 323x36W T26	<b>600 x 1200</b>	596	1196	95	573	1173	50	314132	314133
LP3V 324x36W T26	<b>600 x 1200</b>	596	1196	95	573	1173	50	314142	314143
LP3V 321x13/14W T16	<b>200 x 600</b>	196	596	95	148	587			314173
LP3V 321x20/24W T16	<b>200 x 600</b>	196	596	95	148	587			314293
LP3V 322x13/14W T16	<b>300 x 600</b>	296	596	95	273	573			314183
LP3V 322x20/24W T16	<b>300 x 600</b>	296	596	95	273	573			314303
LP3V 323x13/14W T16	<b>600 x 600</b>	596	596	95	573	573			314193
LP3V 323x20/24W T16	<b>600 x 600</b>	596	596	95	573	573			314313
LP3V 324x13/14W T16	<b>600 x 600</b>	596	596	95	573	573			314203
LP3V 324x20/24W T16	<b>600 x 600</b>	596	596	95	573	573			314323
LP3V 321x25/28W T16	<b>200 x 1200</b>	196	1196	95	148	1187			314233
LP3V 321x50/54W T16	<b>200 x 1200</b>	196	1196	95	148	1187			314373
LP3V 322x25/28W T16	<b>300 x 1200</b>	296	1196	95	273	1173			314243
LP3V 322x50/54W T16	<b>300 x 1200</b>	296	1196	95	273	1173			314383
LP3V 323x25/28W T16	<b>600 x 1200</b>	596	1196	95	573	1173			314253
LP3V 323x50/54W T16	<b>600 x 1200</b>	596	1196	95	573	1173			314393
LP3V 324x25/28W T16	<b>600 x 1200</b>	596	1196	95	573	1173			314263
LP3V 324x50/54W T16	<b>600 x 1200</b>	596	1196	95	573	1173			314403
LP3V 324x36W TC-L	<b>600 x 600</b>	596	596	95	573	626		314492	314493
LP3V 324x55W TC-L	<b>600 x 600</b>	596	596	95	573	626			314553

Number of the luminaire's lamps: the third digit of the first number (at the description) corresponds to the number of lamps eg 321x18W = 1x18W.

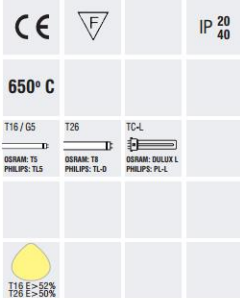


For the luminaires L321 & L322 an extra T profile is required in the ceiling panel.

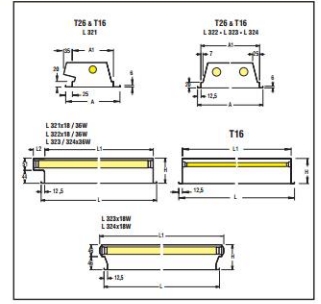
# RECESSED LUMINAIRES - PROFESSIONAL

## L 320

### L 320 LSP

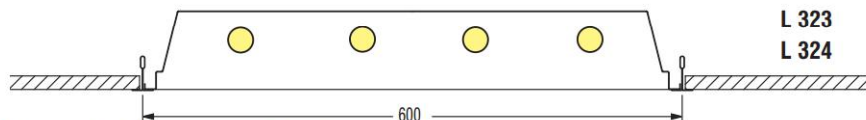
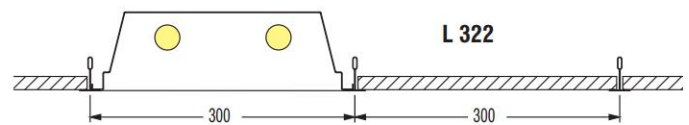
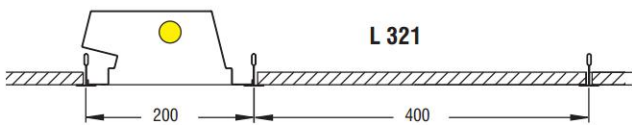


- Flat cover made of transparent prismatic methacrylate, anti-glare.
- Steel frame painted in white colour, with steel springs to adapt the cover to the body of the luminaire.



Description	For panels with structure	Dimensions							Conventional Ballast and capacitor Code	Electronic Ballast Code
		A	L	H	A1	L1	L2			
LSP 321x18W T26	<b>200 x 600</b>	196	596	95	148	587	40	319012	319013	
LSP 322x18W T26	<b>300 x 600</b>	296	596	95	273	573	40	319022	319023	
LSP 323x18W T26	<b>600 x 600</b>	596	596	92	573	626		319032	319033	
LSP 324x18W T26	<b>600 x 600</b>	596	596	92	573	626		319042	319043	
LSP 321x36W T26	<b>200 x 1200</b>	196	1196	95	148	1187	50	319112	319113	
LSP 322x36W T26	<b>300 x 1200</b>	296	1196	95	273	1173	50	319122	319123	
LSP 323x36W T26	<b>600 x 1200</b>	596	1196	95	573	1173	50	319132	319133	
LSP 324x36W T26	<b>600 x 1200</b>	596	1196	95	573	1173	50	319142	319143	
LSP 321x13/14W T16	<b>200 x 600</b>	196	596	95	148	587			319173	
LSP 321x20/24W T16	<b>200 x 600</b>	196	596	95	148	587			319293	
LSP 322x13/14W T16	<b>300 x 600</b>	296	596	95	273	573			319183	
LSP 322x20/24W T16	<b>300 x 600</b>	296	596	95	273	573			319303	
LSP 323x13/14W T16	<b>600 x 600</b>	596	596	95	573	573			319193	
LSP 323x20/24W T16	<b>600 x 600</b>	596	596	95	573	573			319313	
LSP 324x13/14W T16	<b>600 x 600</b>	596	596	95	573	573			319203	
LSP 324x20/24W T16	<b>600 x 600</b>	596	596	95	573	573			319323	
LSP 321x25/28W T16	<b>200 x 1200</b>	196	1196	95	148	1187			319233	
LSP 321x50/54W T16	<b>200 x 1200</b>	196	1196	95	148	1187			319373	
LSP 322x25/28W T16	<b>300 x 1200</b>	296	1196	95	273	1173			319243	
LSP 322x50/54W T16	<b>300 x 1200</b>	296	1196	95	273	1173			319383	
LSP 323x25/28W T16	<b>600 x 1200</b>	596	1196	95	573	1173			319253	
LSP 323x50/54W T16	<b>600 x 1200</b>	596	1196	95	573	1173			319393	
LSP 324x25/28W T16	<b>600 x 1200</b>	596	1196	95	573	1173			319263	
LSP 324x50/54W T16	<b>600 x 1200</b>	596	1196	95	573	1173			319403	
LSP 324x36W TC-L	<b>600 x 600</b>	596	596	95	573	626		319492	319493	
LSP 324x55W TC-L	<b>600 x 600</b>	596	596	95	573	626			319553	

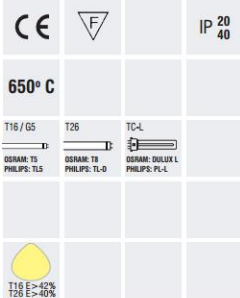
**Number of the luminaire's lamps:** the third digit of the first number (at the description) corresponds to the number of lamps eg 321x18W = 1x18W.



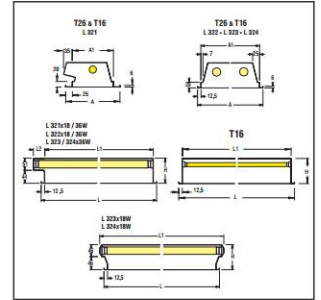
For the luminaires **L321** & **L322** an extra T profile is required in the ceiling panel.

L 320

L 320 LSP0

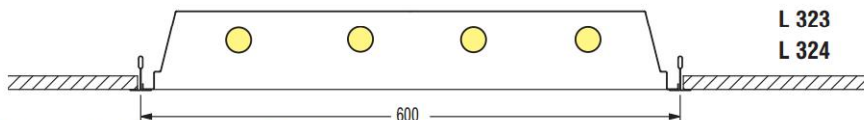
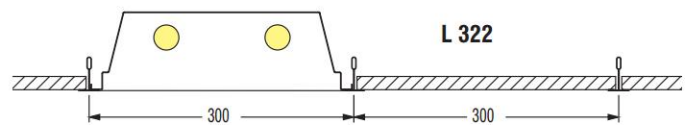
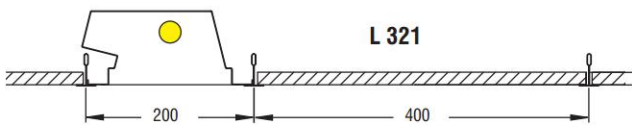


- Flat cover made of opal methacrylate.
- Steel frame painted in white colour, with steel springs to adapt the cover to the body of the luminaire.



Description	For panels with structure	Dimensions						Conventional Ballast and capacitor Code	Electronic Ballast Code
		A	L	H	A1	L1	L2		
LSP0 321x18W T26	200 x 600	196	596	95	148	587	40	310012	310013
LSP0 322x18W T26	300 x 600	296	596	95	273	573	40	310022	310023
LSP0 323x18W T26	600 x 600	596	596	92	573	626		310032	310033
LSP0 324x18W T26	600 x 600	596	596	92	573	626		310042	310043
LSP0 321x36W T26	200 x 1200	196	1196	95	148	1187	50	310112	310113
LSP0 322x36W T26	300 x 1200	296	1196	95	273	1173	50	310122	310123
LSP0 323x36W T26	600 x 1200	596	1196	95	573	1173	50	310132	310133
LSP0 324x36W T26	600 x 1200	596	1196	95	573	1173	50	310142	310143
LSP0 321x13/14W T16	200 x 600	196	596	95	148	587			310173
LSP0 321x20/24W T16	200 x 600	196	596	95	148	587			310293
LSP0 322x13/14W T16	300 x 600	296	596	95	273	573			310183
LSP0 322x20/24W T16	300 x 600	296	596	95	273	573			310303
LSP0 323x13/14W T16	600 x 600	596	596	95	573	573			310193
LSP0 323x20/24W T16	600 x 600	596	596	95	573	573			310313
LSP0 324x13/14W T16	600 x 600	596	596	95	573	573			310203
LSP0 324x20/24W T16	600 x 600	596	596	95	573	573			310323
LSP0 321x25/28W T16	200 x 1200	196	1196	95	148	1187			310233
LSP0 321x50/54W T16	200 x 1200	196	1196	95	148	1187			310373
LSP0 322x25/28W T16	300 x 1200	296	1196	95	273	1173			310243
LSP0 322x50/54W T16	300 x 1200	296	1196	95	273	1173			310383
LSP0 323x25/28W T16	600 x 1200	596	1196	95	573	1173			310253
LSP0 323x50/54W T16	600 x 1200	596	1196	95	573	1173			310393
LSP0 324x25/28W T16	600 x 1200	596	1196	95	573	1173			310263
LSP0 324x50/54W T16	600 x 1200	596	1196	95	573	1173			310403
LSP0 324x36W TC-L	600 x 600	596	596	95	573	626		310492	310493
LSP0 324x55W TC-L	600 x 600	596	596	95	573	626			310553

Number of the luminaire's lamps: the third digit of the first number (at the description) corresponds to the number of lamps eg 321x18W = 1x18W.



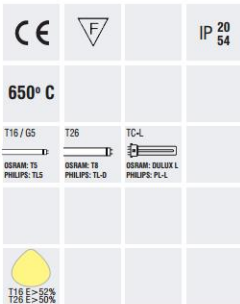
For the luminaires L321 & L322 an extra T profile is required in the ceiling panel.



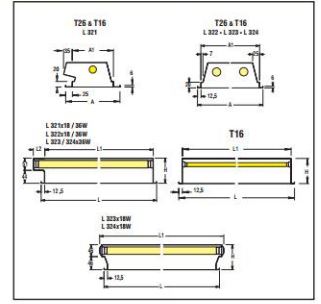
# RECESSED LUMINAIRES - PROFESSIONAL

## L 320

### L 320 LSP IP54

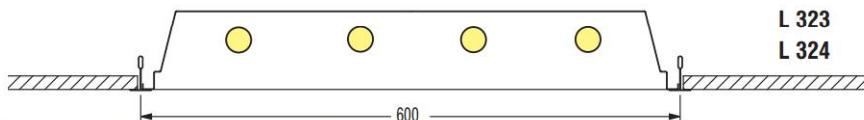
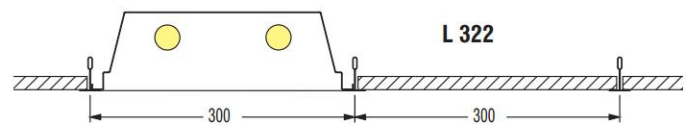
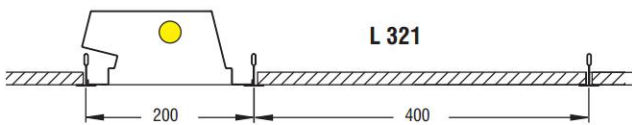


- Flat cover made of transparent prismatic methacrylate, anti-glare.
- Steel frame painted in white colour, with steel springs to adapt the cover to the body of the luminaire.
- Protection degree IP54, IP20 in the ceiling.



Description	For panels with structure	Dimensions							Conventional Ballast and capacitor Code	Electronic Ballast Code
		A	L	H	A1	L1	L2			
LSP 321x18W T26 IP54	200 x 600	196	596	95	148	587	40	581012	581013	
LSP 322x18W T26 IP54	300 x 600	296	596	95	273	573	40	581022	581023	
LSP 323x18W T26 IP54	600 x 600	596	596	92	573	626		581032	581033	
LSP 324x18W T26 IP54	600 x 600	596	596	92	573	626		581042	581043	
LSP 321x36W T26 IP54	200 x 1200	196	1196	95	148	1187	50	581112	581113	
LSP 322x36W T26 IP54	300 x 1200	296	1196	95	273	1173	50	581122	581123	
LSP 323x36W T26 IP54	600 x 1200	596	1196	95	573	1173	50	581132	581133	
LSP 324x36W T26 IP54	600 x 1200	596	1196	95	573	1173	50	581142	581143	
LSP 321x13/14W T16 IP54	200 x 600	196	596	95	148	587			581173	
LSP 321x20/24W T16 IP54	200 x 600	196	596	95	148	587			581293	
LSP 322x13/14W T16 IP54	300 x 600	296	596	95	273	573			581183	
LSP 322x20/24W T16 IP54	300 x 600	296	596	95	273	573			581303	
LSP 323x13/14W T16 IP54	600 x 600	596	596	95	573	573			581193	
LSP 323x20/24W T16 IP54	600 x 600	596	596	95	573	573			581313	
LSP 324x13/14W T16 IP54	600 x 600	596	596	95	573	573			581203	
LSP 324x20/24W T16 IP54	600 x 600	596	596	95	573	573			581323	
LSP 321x25/28W T16 IP54	200 x 1200	196	1196	95	148	1187			581233	
LSP 321x50/54W T16 IP54	200 x 1200	196	1196	95	148	1187			581373	
LSP 322x25/28W T16 IP54	300 x 1200	296	1196	95	273	1173			581243	
LSP 322x50/54W T16 IP54	300 x 1200	296	1196	95	273	1173			581383	
LSP 323x25/28W T16 IP54	600 x 1200	596	1196	95	573	1173			581253	
LSP 323x50/54W T16 IP54	600 x 1200	596	1196	95	573	1173			581393	
LSP 324x25/28W T16 IP54	600 x 1200	596	1196	95	573	1173			581263	
LSP 324x50/54W T16 IP54	600 x 1200	596	1196	95	573	1173			581403	
LSP 324x36W TC-L IP54	600 x 600	596	596	95	573	626		581492	581493	
LSP 324x55W TC-L IP54	600 x 600	596	596	95	573	626			581553	

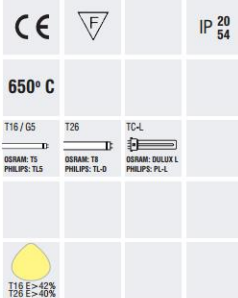
**Number of the luminaire's lamps:** the third digit of the first number (at the description) corresponds to the number of lamps eg 321x18W = 1x18W.



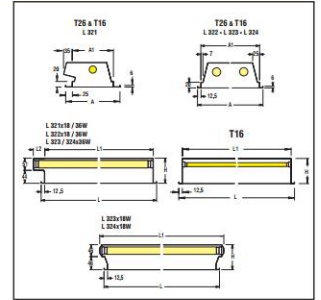
For the luminaires **L321** & **L322** an extra T profile is required in the ceiling panel.

L 320

L 320 LSPO IP54

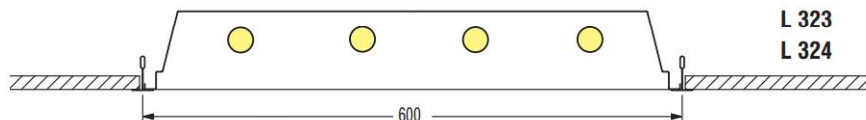
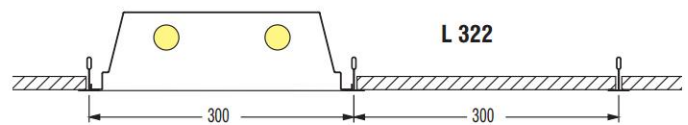
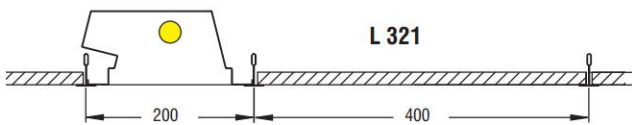


- Flat cover made of opal methacrylate.
- Steel frame painted in white colour, with steel springs to adapt the cover to the body of the luminaire.
- Protection degree IP54, IP20 in the ceiling.



Description	For panels with structure	Dimensions							Conventional Ballast and capacitor Code	Electronic Ballast Code
		A	L	H	A1	L1	L2			
LSP0 321x18W T26 IP54	200 x 600	196	596	95	148	587	40	585012	585013	
LSP0 322x18W T26 IP54	300 x 600	296	596	95	273	573	40	585022	585023	
LSP0 323x18W T26 IP54	600 x 600	596	596	92	573	626		585032	585033	
LSP0 324x18W T26 IP54	600 x 600	596	596	92	573	626		585042	585043	
LSP0 321x36W T26 IP54	200 x 1200	196	1196	95	148	1187	50	585112	585113	
LSP0 322x36W T26 IP54	300 x 1200	296	1196	95	273	1173	50	585122	585123	
LSP0 323x36W T26 IP54	600 x 1200	596	1196	95	573	1173	50	585132	585133	
LSP0 324x36W T26 IP54	600 x 1200	596	1196	95	573	1173	50	585142	585143	
LSP0 321x13/14W T16 IP54	200 x 600	196	596	95	148	587			585173	
LSP0 321x20/24W T16 IP54	200 x 600	196	596	95	148	587			585293	
LSP0 322x13/14W T16 IP54	300 x 600	296	596	95	273	573			585183	
LSP0 322x20/24W T16 IP54	300 x 600	296	596	95	273	573			585303	
LSP0 323x13/14W T16 IP54	600 x 600	596	596	95	573	573			585193	
LSP0 323x20/24W T16 IP54	600 x 600	596	596	95	573	573			585313	
LSP0 324x13/14W T16 IP54	600 x 600	596	596	95	573	573			585203	
LSP0 324x20/24W T16 IP54	600 x 600	596	596	95	573	573			585323	
LSP0 321x25/28W T16 IP54	200 x 1200	196	1196	95	148	1187			585233	
LSP0 321x50/54W T16 IP54	200 x 1200	196	1196	95	148	1187			585373	
LSP0 322x25/28W T16 IP54	300 x 1200	296	1196	95	273	1173			585243	
LSP0 322x50/54W T16 IP54	300 x 1200	296	1196	95	273	1173			585383	
LSP0 323x25/28W T16 IP54	600 x 1200	596	1196	95	573	1173			585253	
LSP0 323x50/54W T16 IP54	600 x 1200	596	1196	95	573	1173			585393	
LSP0 324x25/28W T16 IP54	600 x 1200	596	1196	95	573	1173			585263	
LSP0 324x50/54W T16 IP54	600 x 1200	596	1196	95	573	1173			585403	
LSP0 324x36W TC-L IP54	600 x 600	596	596	95	573	626		585492	585493	
LSP0 324x55W TC-L IP54	600 x 600	596	596	95	573	626			585553	

Number of the luminaire's lamps: the third digit of the first number (at the description) corresponds to the number of lamps eg 321x18W = 1x18W.

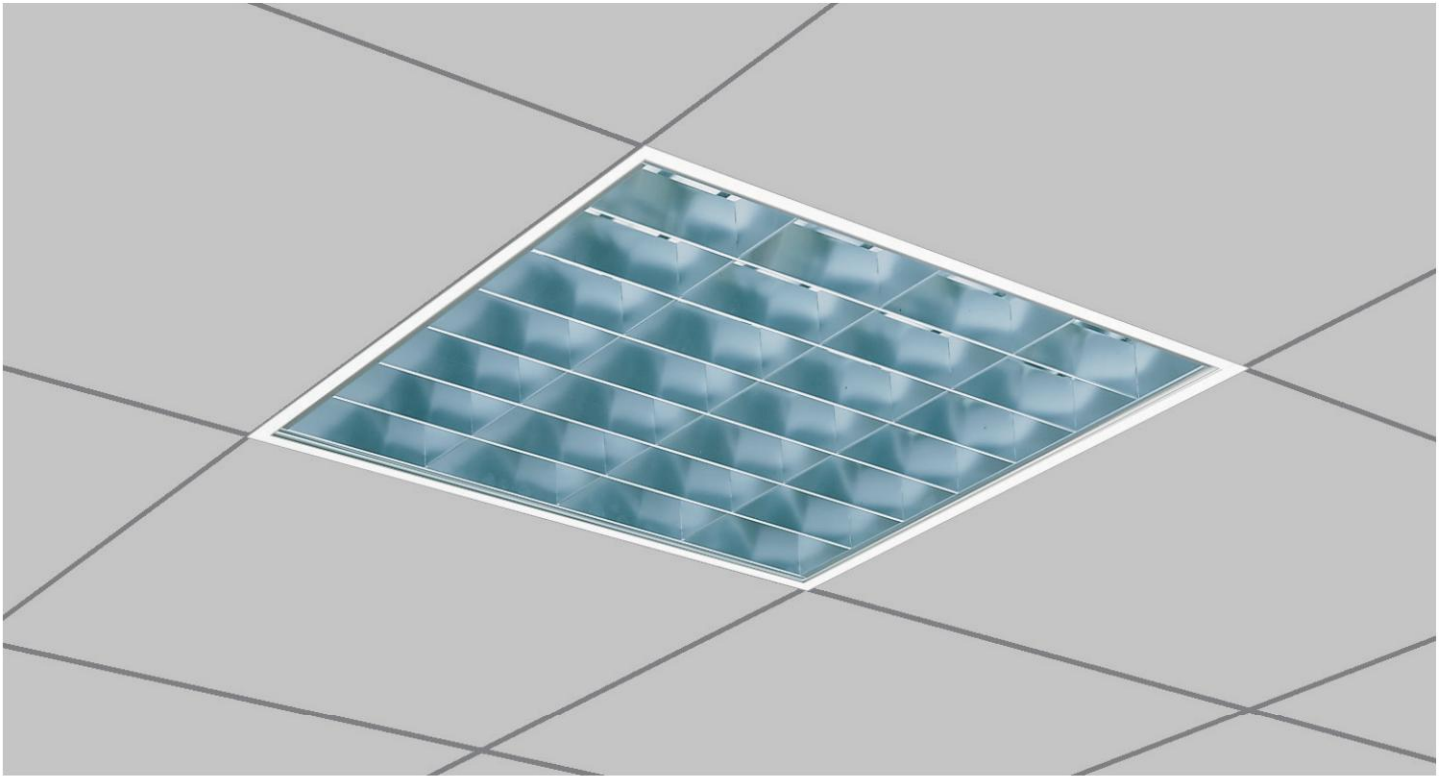


For the luminaires L321 & L322 an extra T profile is required in the ceiling panel.

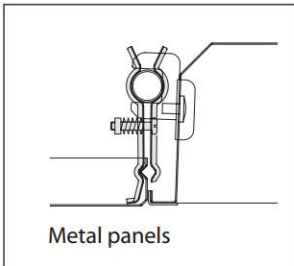
L 320



L 320 CLIP IN

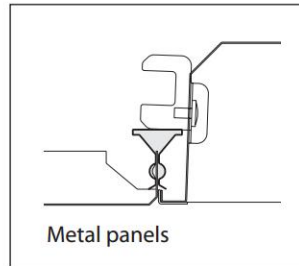


Recessed luminaires for panels in mineral fibre ceilings 600x600, 600x1200 with **exposed structure**.



Metal panels

Metal panels 600x600. Mounting with exposed edge, using fixing brackets 15LB.



Metal panels

Metal panels 600x600. Mounting with exposed edge, using fixing brackets 15LB.

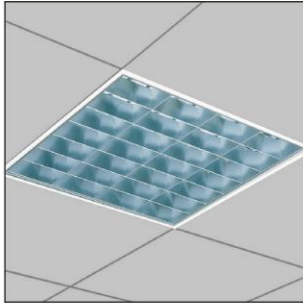
Technical Features

- Luminaires for fluorescent lamps T26, T16 and compact TC-L (2G11).
- Steel body, electrostatically painted in white color.
- Connection for operation on 230V-50Hz with conventional ballast and power factor correction capacitor (lamps T26, TC-L).
- Connection for operation with electronic ballast (lamps T26, T16, TC-L).
- Connection for operation with electronic dimmable ballast (lamps T26, T16, TC-L).
- Connection for emergency lighting system (lamps T26, T16, TC-L).

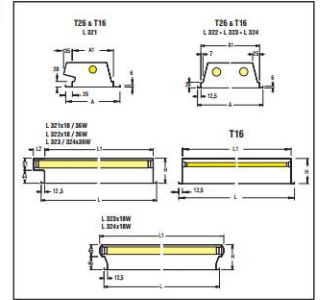
# RECESSED LUMINAIRES - PROFESSIONAL

## L 320 CLIP IN

### L 320 CI LP2M



- Louvre 2M with transverse parabolic blades and longitudinal double-parabolic elements (reflectors), from anodized non iridescent specular aluminium.
- 2M louvre have illuminance <math><200\text{cd/m}^2</math> for radial angles >math>65^\circ</math>.

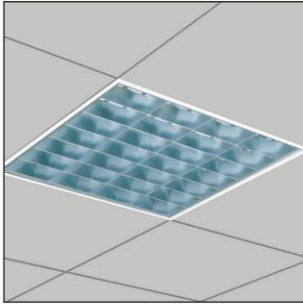


Description	For panels with structure	Dimensions						Conventional Ballast and capacitor Code	Electronic Ballast Code
		A	L	H	A1	L1	L2		
LP2M CI 322x18W T26	<b>300 x 600</b>	299	599	95	273	573	40	311022CI	311023CI
LP2M CI 323x18W T26	<b>600 x 600</b>	599	599	92	573	626		311032CI	311033CI
LP2M CI 324x18W T26	<b>600 x 600</b>	599	599	92	573	626		311042CI	311043CI
LP2M CI 322x36W T26	<b>300 x 1200</b>	299	1199	95	273	1173	50	311122CI	311123CI
LP2M CI 323x36W T26	<b>600 x 1200</b>	599	1199	95	573	1173	50	311132CI	311133CI
LP2M CI 324x36W T26	<b>600 x 1200</b>	599	1199	95	573	1173	50	311142CI	311143CI
LP2M CI 322x13/14W T16	<b>300 x 600</b>	299	599	95	273	573			311183CI
LP2M CI 322x20/24W T16	<b>300 x 600</b>	299	599	95	273	573			311303CI
LP2M CI 323x13/14W T16	<b>600 x 600</b>	599	599	95	573	573			311193CI
LP2M CI 323x20/24W T16	<b>600 x 600</b>	599	599	95	573	573			311313CI
LP2M CI 324x13/14W T16	<b>600 x 600</b>	599	599	95	573	573			311203CI
LP2M CI 324x20/24W T16	<b>600 x 600</b>	599	599	95	573	573			311323CI
LP2M CI 322x25/28W T16	<b>300 x 1200</b>	299	1199	95	273	1173			311243CI
LP2M CI 322x50/54W T16	<b>300 x 1200</b>	299	1199	95	273	1173			311383CI
LP2M CI 323x25/28W T16	<b>600 x 1200</b>	599	1199	95	573	1173			311253CI
LP2M CI 323x50/54W T16	<b>600 x 1200</b>	599	1199	95	573	1173			311393CI
LP2M CI 324x25/28W T16	<b>600 x 1200</b>	599	1199	95	573	1173			311263CI
LP2M CI 324x50/54W T16	<b>600 x 1200</b>	599	1199	95	573	1173			311403CI
LP2M CI 324x36W TC-L	<b>600 x 600</b>	599	599	95	573	626		311492CI	311493CI
LP2M CI 324x55W TC-L	<b>600 x 600</b>	599	599	95	573	626			311553CI

**Number of the luminaire's lamps:** the third digit of the first number (at the description) corresponds to the number of lamps eg 322x18W = 2x18W.

**L 320 CLIP IN**

**L 320 CI LP2S**



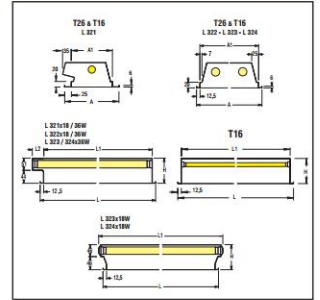
CE F IP 20

T16 / G5 T26 TC-L

OSRAM: T5 PHILIPS: TL5 OSRAM: T8 PHILIPS: TL8 OSRAM: DULUX L PHILIPS: PL-L

T16 E>=71%  
T26 E>=66%

- Louvre 2S with transverse parabolic blades and longitudinal double-parabolic elements (reflectors), from anodized non iridescent semi-glossy aluminium.
- 2S louvre have illuminance <200cd/m<sup>2</sup> for radial angles >65°.

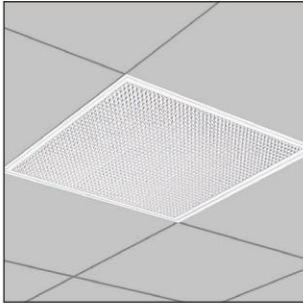


Description	For panels with structure	Dimensions						Conventional Ballast and capacitor Code	Electronic Ballast Code
		A	L	H	A1	L1	L2		
LP2S CI 322x18W T26	<b>300 x 600</b>	299	599	95	273	573	40	312022CI	312023CI
LP2S CI 323x18W T26	<b>600 x 600</b>	599	599	92	573	626		312032CI	312033CI
LP2S CI 324x18W T26	<b>600 x 600</b>	599	599	92	573	626		312042CI	312043CI
LP2S CI 322x36W T26	<b>300 x 1200</b>	299	1199	95	273	1173	50	312122CI	312123CI
LP2S CI 323x36W T26	<b>600 x 1200</b>	599	1199	95	573	1173	50	312132CI	312133CI
LP2S CI 324x36W T26	<b>600 x 1200</b>	599	1199	95	573	1173	50	312142CI	312143CI
LP2S CI 322x13/14W T16	<b>300 x 600</b>	299	599	95	273	573			312183CI
LP2S CI 322x20/24W T16	<b>300 x 600</b>	299	599	95	273	573			312303CI
LP2S CI 323x13/14W T16	<b>600 x 600</b>	599	599	95	573	573			312193CI
LP2S CI 323x20/24W T16	<b>600 x 600</b>	599	599	95	573	573			312313CI
LP2S CI 324x13/14W T16	<b>600 x 600</b>	599	599	95	573	573			312203CI
LP2S CI 324x20/24W T16	<b>600 x 600</b>	599	599	95	573	573			312323CI
LP2S CI 322x25/28W T16	<b>300 x 1200</b>	299	1199	95	273	1173			312243CI
LP2S CI 322x50/54W T16	<b>300 x 1200</b>	299	1199	95	273	1173			312383CI
LP2S CI 323x25/28W T16	<b>600 x 1200</b>	599	1199	95	573	1173			312253CI
LP2S CI 323x50/54W T16	<b>600 x 1200</b>	599	1199	95	573	1173			312393CI
LP2S CI 324x25/28W T16	<b>600 x 1200</b>	599	1199	95	573	1173			312263CI
LP2S CI 324x50/54W T16	<b>600 x 1200</b>	599	1199	95	573	1173			312403CI
LP2S CI 324x36W TC-L	<b>600 x 600</b>	599	599	95	573	626		312492CI	312493CI
LP2S CI 324x55W TC-L	<b>600 x 600</b>	599	599	95	573	626			312553CI

**Number of the luminaire's lamps:** the third digit of the first number (at the description) corresponds to the number of lamps eg 322x18W = 2x18W.

**L 320 CLIP IN**

**L 320 CI LSP**



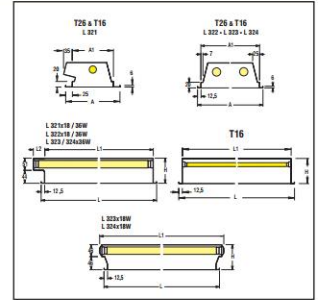
**650° C**

T16/G5  
 T26  
 TC-L

OSRAM T5 PHILIPS T5  
 OSRAM T8 PHILIPS T8  
 OSRAM DULUX L PHILIPS PL-L

T16 E=52%  
T26 E>50%

- Flat cover made of transparent prismatic methacrylate, anti-glare.
- Steel frame painted in white colour, with steel springs to adapt the cover to the body of the luminaire.

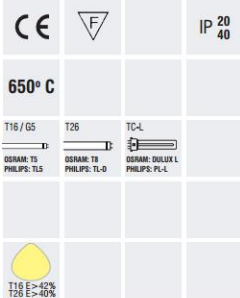
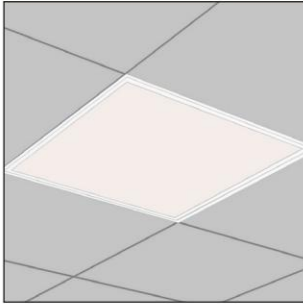


Description	For panels with structure	Dimensions						Conventional Ballast and capacitor Code	Electronic Ballast Code
		A	L	H	A1	L1	L2		
LSP CI 322x18W T26	<b>300 x 600</b>	299	599	95	273	573	40	319022CI	319023CI
LSP CI 323x18W T26	<b>600 x 600</b>	599	599	92	573	626		319032CI	319033CI
LSP CI 324x18W T26	<b>600 x 600</b>	599	599	92	573	626		319042CI	319043CI
LSP CI 322x36W T26	<b>300 x 1200</b>	299	1199	95	273	1173	50	319122CI	319123CI
LSP CI 323x36W T26	<b>600 x 1200</b>	599	1199	95	573	1173	50	319132CI	319133CI
LSP CI 324x36W T26	<b>600 x 1200</b>	599	1199	95	573	1173	50	319142CI	319143CI
LSP CI 322x13/14W T16	<b>300 x 600</b>	299	599	95	273	573			319183CI
LSP CI 322x20/24W T16	<b>300 x 600</b>	299	599	95	273	573			319303CI
LSP CI 323x13/14W T16	<b>600 x 600</b>	599	599	95	573	573			319193CI
LSP CI 323x20/24W T16	<b>600 x 600</b>	599	599	95	573	573			319313CI
LSP CI 324x13/14W T16	<b>600 x 600</b>	599	599	95	573	573			319203CI
LSP CI 324x20/24W T16	<b>600 x 600</b>	599	599	95	573	573			319323CI
LSP CI 322x25/28W T16	<b>300 x 1200</b>	299	1199	95	273	1173			319243CI
LSP CI 322x50/54W T16	<b>300 x 1200</b>	299	1199	95	273	1173			319383CI
LSP CI 323x25/28W T16	<b>600 x 1200</b>	599	1199	95	573	1173			319253CI
LSP CI 323x50/54W T16	<b>600 x 1200</b>	599	1199	95	573	1173			319393CI
LSP CI 324x25/28W T16	<b>600 x 1200</b>	599	1199	95	573	1173			319263CI
LSP CI 324x50/54W T16	<b>600 x 1200</b>	599	1199	95	573	1173			319403CI
LSP CI 324x36W TC-L	<b>600 x 600</b>	599	599	95	573	626		319492CI	319493CI
LSP CI 324x55W TC-L	<b>600 x 600</b>	599	599	95	573	626			319553CI

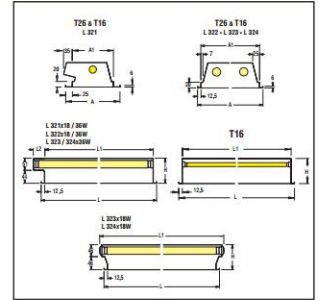
**Number of the luminaire's lamps:** the third digit of the first number (at the description) corresponds to the number of lamps eg 322x18W = 2x18W.

**L 320 CLIP IN**

**L 320 CI LSPO**



- Flat cover made of opal methacrylate.
- Steel frame painted in white colour, with steel springs to adapt the cover to the body of the luminaire.



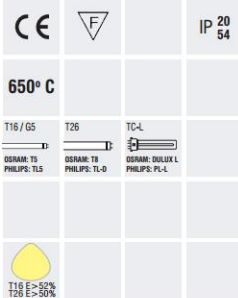
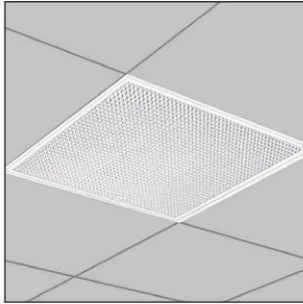
Description	For panels with structure	Dimensions						Conventional Ballast and capacitor Code	Electronic Ballast Code
		A	L	H	A1	L1	L2		
LSPO CI 322x18W T26	<b>300 x 600</b>	299	599	95	273	573	40	310022CI	310023CI
LSPO CI 323x18W T26	<b>600 x 600</b>	599	599	92	573	626		310032CI	310033CI
LSPO CI 324x18W T26	<b>600 x 600</b>	599	599	92	573	626		310042CI	310043CI
LSPO CI 322x36W T26	<b>300 x 1200</b>	299	1199	95	273	1173	50	310122CI	310123CI
LSPO CI 323x36W T26	<b>600 x 1200</b>	599	1199	95	573	1173	50	310132CI	310133CI
LSPO CI 324x36W T26	<b>600 x 1200</b>	599	1199	95	573	1173	50	310142CI	310143CI
LSPO CI 322x13/14W T16	<b>300 x 600</b>	299	599	95	273	573			310183CI
LSPO CI 322x20/24W T16	<b>300 x 600</b>	299	599	95	273	573			310303CI
LSPO CI 323x13/14W T16	<b>600 x 600</b>	599	599	95	573	573			310193CI
LSPO CI 323x20/24W T16	<b>600 x 600</b>	599	599	95	573	573			310313CI
LSPO CI 324x13/14W T16	<b>600 x 600</b>	599	599	95	573	573			310203CI
LSPO CI 324x20/24W T16	<b>600 x 600</b>	599	599	95	573	573			310323CI
LSPO CI 322x25/28W T16	<b>300 x 1200</b>	299	1199	95	273	1173			310243CI
LSPO CI 322x50/54W T16	<b>300 x 1200</b>	299	1199	95	273	1173			310383CI
LSPO CI 323x25/28W T16	<b>600 x 1200</b>	599	1199	95	573	1173			310253CI
LSPO CI 323x50/54W T16	<b>600 x 1200</b>	599	1199	95	573	1173			310393CI
LSPO CI 324x25/28W T16	<b>600 x 1200</b>	599	1199	95	573	1173			310263CI
LSPO CI 324x50/54W T16	<b>600 x 1200</b>	599	1199	95	573	1173			310403CI
LSPO CI 324x36W TC-L	<b>600 x 600</b>	599	599	95	573	626		310492CI	310493CI
LSPO CI 324x55W TC-L	<b>600 x 600</b>	599	599	95	573	626			310553CI

**Number of the luminaire's lamps:** the third digit of the first number (at the description) corresponds to the number of lamps eg 322x18W = 2x18W.

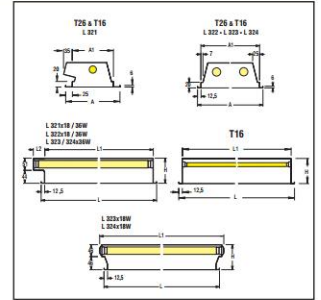


**L 320 CLIP IN**

**L 320 CI LSP IP54**



- Flat cover made of transparent prismatic methacrylate, anti-glare.
- Steel frame painted in white colour, with steel springs to adapt the cover to the body of the luminaire.
- Protection degree IP54, IP20 in the ceiling.

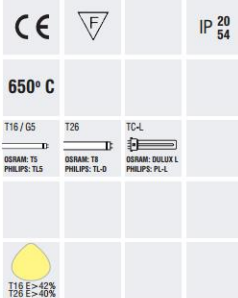
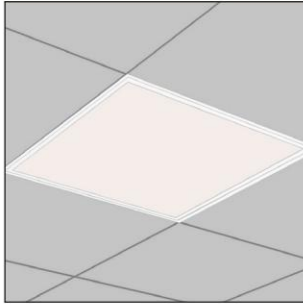


Description	For panels with structure	Dimensions							Conventional Ballast and capacitor		Electronic Ballast	
		A	L	H	A1	L1	L2	Code	Code	Code	Code	
LSP CI 322x18W T26 IP54	<b>300 x 600</b>	299	599	95	273	573	40	581022CI			581023CI	
LSP CI 323x18W T26 IP54	<b>600 x 600</b>	599	599	92	573	626		581032CI			581033CI	
LSP CI 324x18W T26 IP54	<b>600 x 600</b>	599	599	92	573	626		581112CI			581113CI	
LSP CI 322x36W T26 IP54	<b>300 x 1200</b>	299	1199	95	273	1173	50	581122CI			581123CI	
LSP CI 323x36W T26 IP54	<b>600 x 1200</b>	599	1199	95	573	1173	50	581132CI			581133CI	
LSP CI 324x36W T26 IP54	<b>600 x 1200</b>	599	1199	95	573	1173	50	581142CI			581143CI	
LSP CI 322x13/14W T16 IP54	<b>300 x 600</b>	299	599	95	273	573					581183CI	
LSP CI 322x20/24W T16 IP54	<b>300 x 600</b>	299	599	95	273	573					581303CI	
LSP CI 323x13/14W T16 IP54	<b>600 x 600</b>	599	599	95	573	573					581193CI	
LSP CI 323x20/24W T16 IP54	<b>600 x 600</b>	599	599	95	573	573					581313CI	
LSP CI 324x13/14W T16 IP54	<b>600 x 600</b>	599	599	95	573	573					581203CI	
LSP CI 324x20/24W T16 IP54	<b>600 x 600</b>	599	599	95	573	573					581323CI	
LSP CI 322x25/28W T16 IP54	<b>300 x 1200</b>	299	1199	95	273	1173					581243CI	
LSP CI 322x50/54W T16 IP54	<b>300 x 1200</b>	299	1199	95	273	1173					581383CI	
LSP CI 323x25/28W T16 IP54	<b>600 x 1200</b>	599	1199	95	573	1173					581253CI	
LSP CI 323x50/54W T16 IP54	<b>600 x 1200</b>	599	1199	95	573	1173					581393CI	
LSP CI 324x25/28W T16 IP54	<b>600 x 1200</b>	599	1199	95	573	1173					581263CI	
LSP CI 324x50/54W T16 IP54	<b>600 x 1200</b>	599	1199	95	573	1173					581403CI	
LSP CI 324x36W TC-L IP54	<b>600 x 600</b>	599	599	95	573	626		581492CI			581493CI	
LSP CI 324x55W TC-L IP54	<b>600 x 600</b>	599	599	95	573	626					581553CI	

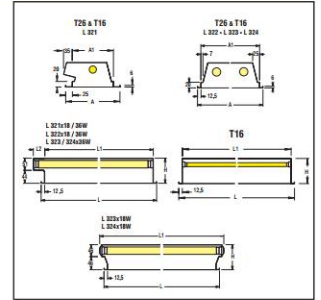
**Number of the luminaire's lamps:** the third digit of the first number (at the description) corresponds to the number of lamps eg 322x18W = 2x18W.

**L 320 CLIP IN**

**L 320 CI LSPO IP54**



- Flat cover made of opal methacrylate.
- Steel frame painted in white colour, with steel springs to adapt the cover to the body of the luminaire.
- Protection degree IP54, IP20 in the ceiling.



Description	For panels with structure	Dimensions							Conventional Ballast and capacitor Code	Electronic Ballast Code
		A	L	H	A1	L1	L2			
LSPO CI 322x18W T26 IP54	<b>300 x 600</b>	299	599	95	273	573	40	585022CI	585023CI	
LSPO CI 323x18W T26 IP54	<b>600 x 600</b>	599	599	92	573	626		585032CI	585033CI	
LSPO CI 324x18W T26 IP54	<b>600 x 600</b>	599	599	92	573	626		585042CI	585043CI	
LSPO CI 322x36W T26 IP54	<b>300 x 1200</b>	299	1199	95	273	1173	50	585122CI	585123CI	
LSPO CI 323x36W T26 IP54	<b>600 x 1200</b>	599	1199	95	573	1173	50	585132CI	585133CI	
LSPO CI 324x36W T26 IP54	<b>600 x 1200</b>	599	1199	95	573	1173	50	585142CI	585143CI	
LSPO CI 322x13/14W T16 IP54	<b>300 x 600</b>	299	599	95	273	573			585183CI	
LSPO CI 322x20/24W T16 IP54	<b>300 x 600</b>	299	599	95	273	573			585303CI	
LSPO CI 323x13/14W T16 IP54	<b>600 x 600</b>	599	599	95	573	573			585193CI	
LSPO CI 323x20/24W T16 IP54	<b>600 x 600</b>	599	599	95	573	573			585313CI	
LSPO CI 324x13/14W T16 IP54	<b>600 x 600</b>	599	599	95	573	573			585203CI	
LSPO CI 324x20/24W T16 IP54	<b>600 x 600</b>	599	599	95	573	573			585323CI	
LSPO CI 322x25/28W T16 IP54	<b>300 x 1200</b>	299	1199	95	273	1173			585243CI	
LSPO CI 322x50/54W T16 IP54	<b>300 x 1200</b>	299	1199	95	273	1173			585383CI	
LSPO CI 323x25/28W T16 IP54	<b>600 x 1200</b>	599	1199	95	573	1173			585253CI	
LSPO CI 323x50/54W T16 IP54	<b>600 x 1200</b>	599	1199	95	573	1173			585393CI	
LSPO CI 324x25/28W T16 IP54	<b>600 x 1200</b>	599	1199	95	573	1173			585263CI	
LSPO CI 324x50/54W T16 IP54	<b>600 x 1200</b>	599	1199	95	573	1173			585403CI	
LSPO CI 324x36W TC-L IP54	<b>600 x 600</b>	599	599	95	573	626		585492CI	585493CI	
LSPO CI 324x55W TC-L IP54	<b>600 x 600</b>	599	599	95	573	626			585553CI	

**Number of the luminaire's lamps:** the third digit of the first number (at the description) corresponds to the number of lamps eg 322x18W = 2x18W.

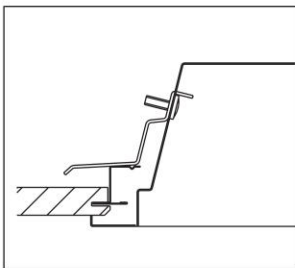
**L 320 CLIP IN**

---

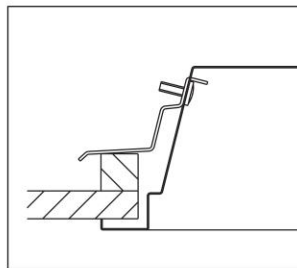
L 400



Recessed luminaires for panels in mineral fibre with **concealed structure or plasterboard ceiling**, 600x600 & 600x1200mm.



Mineral fibre panels 600x600,  
600x1200, with concealed  
structure.  
Fixing bracket item 15BS.



Plasterboard ceiling.  
Fixing bracket item 15BS.

Technical Features

- Luminaires for fluorescent lamps T26, T16.
- Steel body, electrostatically painted in white color.
- Connection for operation on 230V-50Hz with conventional ballast and power factor correction capacitor (lamps T26, TC-L).
- Connection for operation with electronic ballast (lamps T26, T16, TC-L).
- Connection for operation with electronic dimmable ballast (lamps T26, T16, TC-L).
- Connection for emergency lighting system (lamps T26, T16, TC-L).

**Upon request**

- Frame (flange) in various colours (RAL).

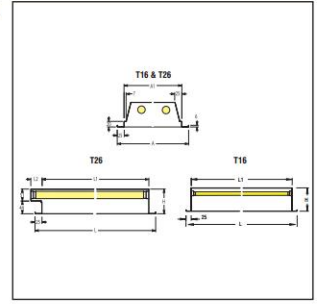
## RECESSED LUMINAIRES - PROFESSIONAL

### L 400

#### L 400 LP2M



- Louvre 2M with transverse parabolic blades and longitudinal double-parabolic elements (reflectors), from anodized non iridescent specular aluminium.
- 2M louvre have illuminance  $< 200\text{cd/m}^2$  for radial angles  $> 65^\circ$ .

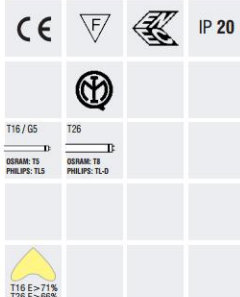


Description	Dimensions						Conventional Ballast and capacitor Code	Electronic Ballast Code
	A	L	H	A1	L1	L2		
LP2M 403x18W T26	621	621	95	573	573	40	321032	321033
LP2M 404x18W T26	621	621	95	573	573	40	321042	321043
LP2M 403x36W T26	621	1221	95	573	1173	50	321132	321133
LP2M 404x36W T26	621	1221	95	573	1173	50	321142	321143
LP2M 403x13/14W T16	621	621	95	573	573			321193
LP2M 403x20/24W T16	621	621	95	573	573			321313
LP2M 404x13/14W T16	621	621	95	573	573			321203
LP2M 404x20/24W T16	621	621	95	573	573			321323
LP2M 403x25/28W T16	621	1221	95	573	1173			321253
LP2M 403x50/54W T16	621	1221	95	573	1173			321393
LP2M 404x25/28W T16	621	1221	95	573	1173			321263
LP2M 404x50/54W T16	621	1221	95	573	1173			321403

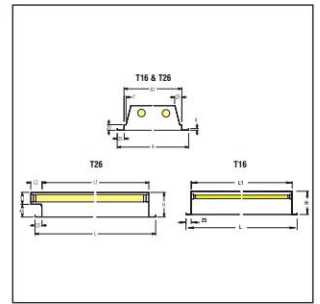
**Number of the luminaire's lamps:** the third digit of the first number (at the description) corresponds to the number of lamps eg 404x18W = 4x18W.

Note: For installing of the luminaires in plasterboard the hole dimension is represented by **A1 x L1**.

#### L 400 LP2S



- Louvre 2S with transverse parabolic blades and longitudinal double-parabolic elements (reflectors), from anodized non iridescent semi-glossy aluminium.
- 2S louvre have illuminance  $< 200\text{cd/m}^2$  for radial angles  $> 65^\circ$ .



Description	Dimensions						Conventional Ballast and capacitor Code	Electronic Ballast Code
	A	L	H	A1	L1	L2		
LP2S 403x18W T26	621	621	95	573	573	40	322032	322033
LP2S 404x18W T26	621	621	95	573	573	40	322042	322043
LP2S 403x36W T26	621	1221	95	573	1173	50	322132	322133
LP2S 404x36W T26	621	1221	95	573	1173	50	322142	322143
LP2S 403x13/14W T16	621	621	95	573	573			322193
LP2S 403x20/24W T16	621	621	95	573	573			322313
LP2S 404x13/14W T16	621	621	95	573	573			322203
LP2S 404x20/24W T16	621	621	95	573	573			322323
LP2S 403x25/28W T16	621	1221	95	573	1173			322253
LP2S 403x50/54W T16	621	1221	95	573	1173			322393
LP2S 404x25/28W T16	621	1221	95	573	1173			322263
LP2S 404x50/54W T16	621	1221	95	573	1173			322403

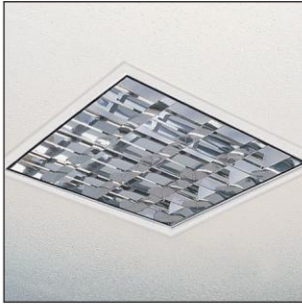
**Number of the luminaire's lamps:** the third digit of the first number (at the description) corresponds to the number of lamps eg 404x18W = 4x18W.

Note: For installing of the luminaires in plasterboard the hole dimension is represented by **A1 x L1**.

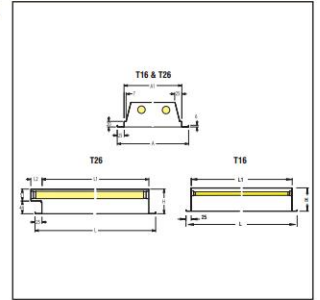
## RECESSED LUMINAIRES - PROFESSIONAL

### L 400

#### L 400 LP3M



- Louvre 3M with transverse parabolic blades and longitudinal double-parabolic elements (reflectors), with square cell section from anodized non iridescent specular aluminium.



Description	Dimensions						Conventional Ballast and capacitor Code	Electronic Ballast Code
	A	L	H	A1	L1	L2		
LP3M 403x18W T26	621	621	95	573	573	40	323032	323033
LP3M 404x18W T26	621	621	95	573	573	40	323042	323043
LP3M 403x36W T26	621	1221	95	573	1173	50	323132	323133
LP3M 404x36W T26	621	1221	95	573	1173	50	323142	323143
LP3M 403x13/14W T16	621	621	95	573	573			323193
LP3M 403x20/24W T16	621	621	95	573	573			323313
LP3M 404x13/14W T16	621	621	95	573	573			323203
LP3M 404x20/24W T16	621	621	95	573	573			323323
LP3M 403x25/28W T16	621	1221	95	573	1173			323253
LP3M 403x50/54W T16	621	1221	95	573	1173			323393
LP3M 404x25/28W T16	621	1221	95	573	1173			323263
LP3M 404x50/54W T16	621	1221	95	573	1173			323403

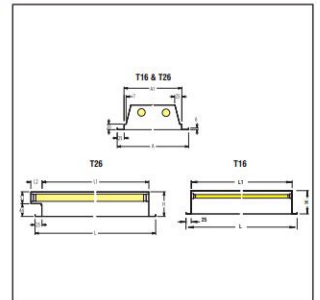
**Number of the luminaire's lamps:** the third digit of the first number (at the description) corresponds to the number of lamps eg 404x18W = 4x18W.

Note: For installing of the luminaires in plasterboard the hole dimension is represented by **A1 x L1**.

#### L 400 LP3V



- Louvre 3V with transverse parabolic blades and longitudinal double-parabolic elements (reflectors), in white painted steel.



Description	Dimensions						Conventional Ballast and capacitor Code	Electronic Ballast Code
	A	L	H	A1	L1	L2		
LP3V 403x18W T26	621	621	95	573	573	40	324032	324033
LP3V 404x18W T26	621	621	95	573	573	40	324042	324043
LP3V 403x36W T26	621	1221	95	573	1173	50	324132	324133
LP3V 404x36W T26	621	1221	95	573	1173	50	324142	324143
LP3V 403x13/14W T16	621	621	95	573	573			324193
LP3V 403x20/24W T16	621	621	95	573	573			324313
LP3V 404x13/14W T16	621	621	95	573	573			324203
LP3V 404x20/24W T16	621	621	95	573	573			324323
LP3V 403x25/28W T16	621	1221	95	573	1173			324253
LP3V 403x50/54W T16	621	1221	95	573	1173			324393
LP3V 404x25/28W T16	621	1221	95	573	1173			324263
LP3V 404x50/54W T16	621	1221	95	573	1173			324403

**Number of the luminaire's lamps:** the third digit of the first number (at the description) corresponds to the number of lamps eg 404x18W = 4x18W.

Note: For installing of the luminaires in plasterboard the hole dimension is represented by **A1 x L1**.

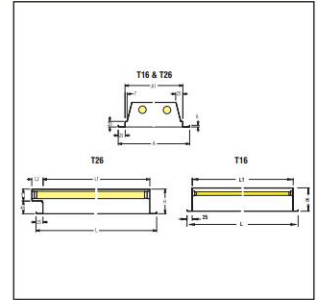
## RECESSED LUMINAIRES - PROFESSIONAL

### L 400

#### L 400 LSP



- Flat cover made of transparent prismatic methacrylate, anti-glare.
- Steel frame painted in white colour, with steel springs to adapt the cover to the body of the luminaire.
- Protection degree IP40, IP20 in the ceiling.

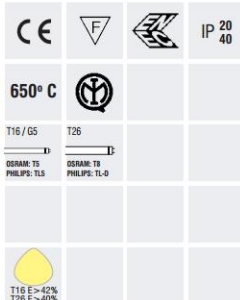


Description	Dimensions						Conventional Ballast and capacitor Code	Electronic Ballast Code
	A	L	H	A1	L1	L2		
LSP 403x18W T26	621	621	95	573	573	40	329032	329033
LSP 404x18W T26	621	621	95	573	573	40	329042	329043
LSP 403x36W T26	621	1221	95	573	1173	50	329132	329133
LSP 404x36W T26	621	1221	95	573	1173	50	329142	329143
LSP 403x13/14W T16	621	621	95	573	573			329193
LSP 403x20/24W T16	621	621	95	573	573			329313
LSP 404x13/14W T16	621	621	95	573	573			329203
LSP 404x20/24W T16	621	621	95	573	573			329323
LSP 403x25/28W T16	621	1221	95	573	1173			329253
LSP 403x50/54W T16	621	1221	95	573	1173			329393
LSP 404x25/28W T16	621	1221	95	573	1173			329263
LSP 404x50/54W T16	621	1221	95	573	1173			329403

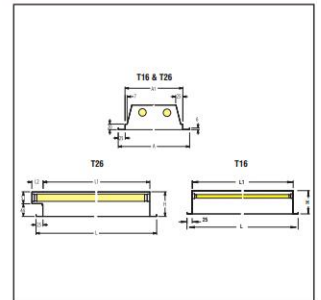
**Number of the luminaire's lamps:** the third digit of the first number (at the description) corresponds to the number of lamps eg 404x18W = 4x18W.

Note: For installing of the luminaires in plasterboard the hole dimension is represented by **A1 x L1**.

#### L 400 LSP0



- Flat cover made of opal methacrylate.
- Steel frame painted in white colour, with steel springs to adapt the cover to the body of the luminaire.
- Protection degree IP40, IP20 in the ceiling.



Description	Dimensions						Conventional Ballast and capacitor Code	Electronic Ballast Code
	A	L	H	A1	L1	L2		
LSP0 403x18W T26	621	621	95	573	573	40	320032	320033
LSP0 404x18W T26	621	621	95	573	573	40	320042	320043
LSP0 403x36W T26	621	1221	95	573	1173	50	320132	320133
LSP0 404x36W T26	621	1221	95	573	1173	50	320142	320143
LSP0 403x13/14W T16	621	621	95	573	573			320193
LSP0 403x20/24W T16	621	621	95	573	573			320313
LSP0 404x13/14W T16	621	621	95	573	573			320203
LSP0 404x20/24W T16	621	621	95	573	573			320323
LSP0 403x25/28W T16	621	1221	95	573	1173			320253
LSP0 403x50/54W T16	621	1221	95	573	1173			320393
LSP0 404x25/28W T16	621	1221	95	573	1173			320263
LSP0 404x50/54W T16	621	1221	95	573	1173			320403

**Number of the luminaire's lamps:** the third digit of the first number (at the description) corresponds to the number of lamps eg 404x18W = 4x18W.

Note: For installing of the luminaires in plasterboard the hole dimension is represented by **A1 x L1**.

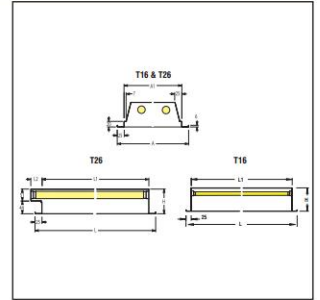
## RECESSED LUMINAIRES - PROFESSIONAL

### L 400

#### L 400 LSP IP54



- Flat cover made of transparent prismatic methacrylate, anti-glare.
- Steel frame painted in white colour, with steel springs to adapt the cover to the body of the luminaire.
- Protection degree IP54, IP20 in the ceiling.

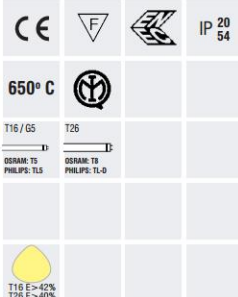


Description	Dimensions						Conventional Ballast and capacitor Code	Electronic Ballast Code
	A	L	H	A1	L1	L2		
LSP 403x18W T26 IP54	621	621	95	573	573	40	582032	582033
LSP 404x18W T26 IP54	621	621	95	573	573	40	582042	582043
LSP 403x36W T26 IP54	621	1221	95	573	1173	50	582132	582133
LSP 404x36W T26 IP54	621	1221	95	573	1173	50	582142	582143
LSP 403x13/14W T16 IP54	621	621	95	573	573			582193
LSP 403x20/24W T16 IP54	621	621	95	573	573			582313
LSP 404x13/14W T16 IP54	621	621	95	573	573			582203
LSP 404x20/24W T16 IP54	621	621	95	573	573			582323
LSP 403x25/28W T16 IP54	621	1221	95	573	1173			582253
LSP 403x50/54W T16 IP54	621	1221	95	573	1173			582393
LSP 404x25/28W T16 IP54	621	1221	95	573	1173			582263
LSP 404x50/54W T16 IP54	621	1221	95	573	1173			582403

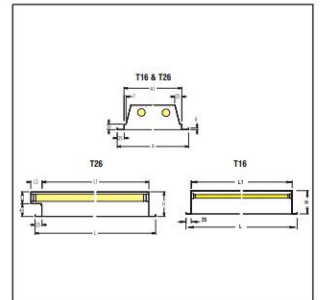
**Number of the luminaire's lamps:** the third digit of the first number (at the description) corresponds to the number of lamps eg 404x18W = 4x18W.

Note: For installing of the luminaires in plasterboard the hole dimension is represented by **A1 x L1**.

#### L 400 LSPO IP54



- Flat cover made of opal methacrylate.
- Steel frame painted in white colour, with steel springs to adapt the cover to the body of the luminaire.
- Protection degree IP54, IP20 in the ceiling.



Description	Dimensions						Conventional Ballast and capacitor Code	Electronic Ballast Code
	A	L	H	A1	L1	L2		
LSPO 403x18W T26 IP54	621	621	95	573	573	40	586032	586033
LSPO 404x18W T26 IP54	621	621	95	573	573	40	586042	586043
LSPO 403x36W T26 IP54	621	1221	95	573	1173	50	586132	586133
LSPO 404x36W T26 IP54	621	1221	95	573	1173	50	586142	586143
LSPO 403x13/14W T16 IP54	621	621	95	573	573			586193
LSPO 403x20/24W T16 IP54	621	621	95	573	573			586313
LSPO 404x13/14W T16 IP54	621	621	95	573	573			586203
LSPO 404x20/24W T16 IP54	621	621	95	573	573			586323
LSPO 403x25/28W T16 IP54	621	1221	95	573	1173			586253
LSPO 403x50/54W T16 IP54	621	1221	95	573	1173			586393
LSPO 404x25/28W T16 IP54	621	1221	95	573	1173			586263
LSPO 404x50/54W T16 IP54	621	1221	95	573	1173			586403

**Number of the luminaire's lamps:** the third digit of the first number (at the description) corresponds to the number of lamps eg 404x18W = 4x18W.

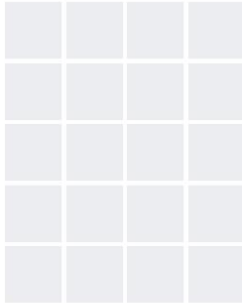
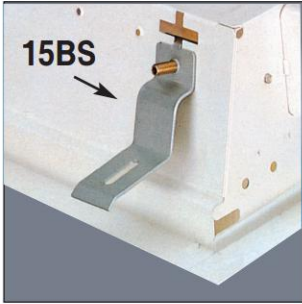
Note: For installing of the luminaires in plasterboard the hole dimension is represented by **A1 x L1**.



## RECESSED LUMINAIRES - PROFESSIONAL

### L 400

#### L 400 ACCESSORY - SUSPENSION BRACKETS

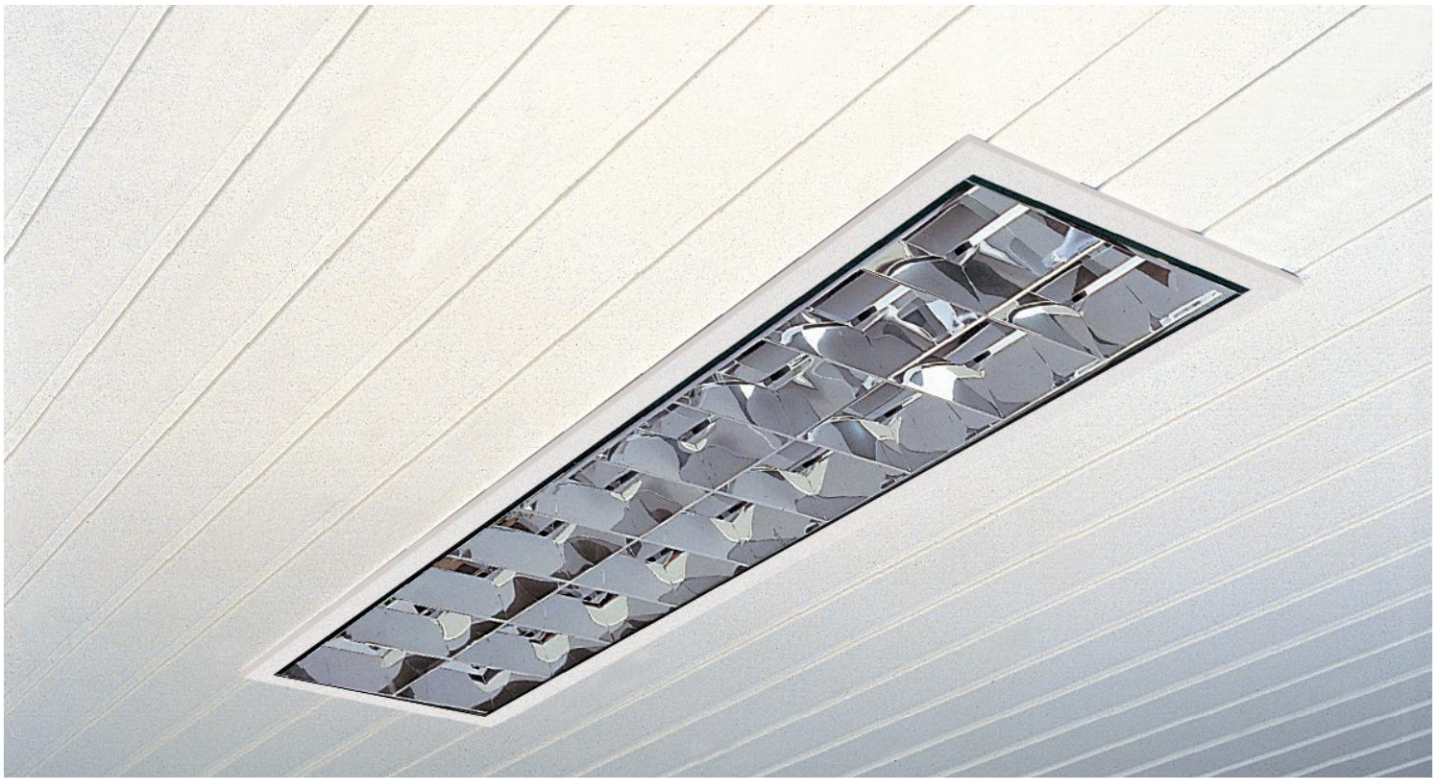


- Suspension brackets from galvanized steel thickness 1,5mm, necessary for the installation in plasterboard.

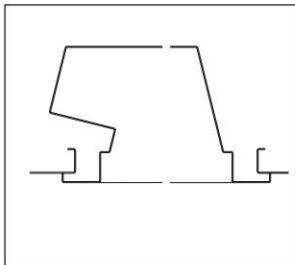
Code	Description
303001	15 BS (4 pieces) 0170



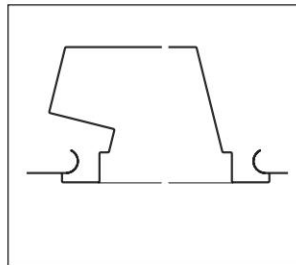
L 550 - 560



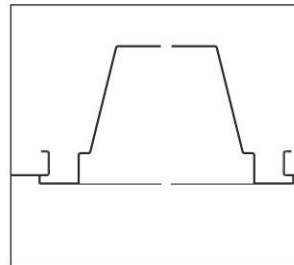
Recessed luminaires in **staves pitch width** 100, 150, 200, 300mm, or **plasterboard** ceiling.



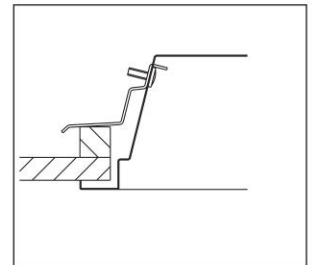
Staves pitch with width 100-200mm, luminaires LP 560.  
Fixing brackets item 15 DP, 15 GF.



Staves pitch with width 100mm, luminaires LP 560.  
Fixing brackets item 15 DP, 15 GF.



Staves pitch with width 100-150-300mm, luminaires LP 550.  
Fixing brackets item 15 DP, 15 GF.



Plasterboard ceiling.  
Fixing bracket item 15BS.

Technical Features

- Luminaires for fluorescent lamps T26, T16 and compact TC-S (G23), TC-SEL (2G7), TC-D (G24d), TC-DEL (G24q), TC-L (2G11).
- Steel body, electrostatically painted in white color.
- At the luminaires LP 562, the louvers do not have longitudinal central element V.
- Connection for operation on 230V-50Hz with conventional ballast and power factor correction capacitor (lamps T26, TC-S, TC-D, TC-L).
- Connection for operation with electronic ballast (lamps T26, T16, TC-SEL, TC-L, TC-DEL).
- Connection for operation with electronic dimmable ballast (lamps T26, T16, TC-SEL, TC-L, TC-DEL).
- Connection for emergency lighting system (lamps T26, T16, TC-SEL, TC-L, TC-DEL).

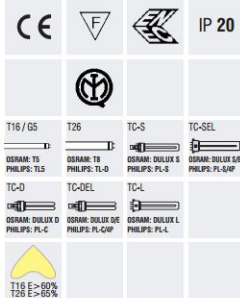
**Upon request**

- Frame (flange) in various colours (RAL).

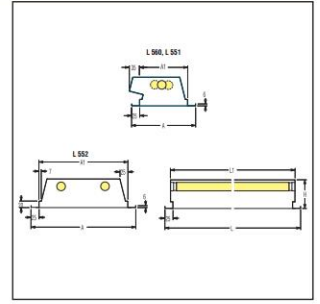
# RECESSED LUMINAIRES - PROFESSIONAL

## L 550 - 560

### L 550 - 560 LP2M



- Louvre 2M with transverse parabolic louvers and double parabolic longitudinal elements (reflectors), from anodized non iridescent specular aluminium.
- 2M louvre of the luminaires LP 551, LP 552 & LP 561 have illuminance <math>< 200\text{cd/m}^2</math> for radial angles > 65°, while those of the luminaire LP 562 have illuminance <math>< 1000\text{cd/m}^2</math> for radial angles > 65°.



Description	Staves pitch width	Dimensions					Conventional Ballast and capacitor Code	Electronic Ballast Code
		A	L	H	A1	L1		
LP2M 551x18W T26	150	196	647	95	148	613	331012	331013
LP2M 551x36W T26	150	196	1256	95	148	1222	331112	331113
LP2M 551x58W T26	150	196	1556	95	148	1522	331152	331153
LP2M 552x18W T26	100, 150, 300	321	647	95	273	613	331022	331023
LP2M 552x36W T26	100, 150, 300	321	1256	95	273	1222	331122	331123
LP2M 552x58W T26	100, 150, 300	321	1556	95	273	1522	331162	331163
LP2M 561x18W T26	100, 200	238	647	95	190	613	341012	341013
LP2M 561x36W T26	100, 200	238	1256	95	190	1222	341112	341113
LP2M 561x58W T26	100, 200	238	1556	95	190	1522	341152	341153
LP2M 562x18W T26	100, 200	238	647	95	190	613	341022	341023
LP2M 562x36W T26	100, 200	238	1256	95	190	1222	341122	341123
LP2M 562x58W T26	100, 200	238	1556	95	190	1522	341162	341163
LP2M 551x13/14W T16	150	196	647	95	148	613		331173
LP2M 551x20/24W T16	150	196	647	95	148	613		331273
LP2M 551x25/28W T16	150	196	1256	95	148	1222		331233
LP2M 551x50/54W T16	150	196	1256	95	148	1222		331353
LP2M 551x32/35W T16	150	196	1556	95	148	1522		331253
LP2M 551x45/49W T16	150	196	1556	95	148	1522		331333
LP2M 552x13/14W T16	100, 150, 300	321	647	95	273	613		331183
LP2M 552x20/24W T16	100, 150, 300	321	647	95	273	613		331283
LP2M 552x25/28W T16	100, 150, 300	321	1256	95	273	1222		331243
LP2M 552x50/54W T16	100, 150, 300	321	1256	95	273	1222		331363
LP2M 552x32/35W T16	100, 150, 300	321	1556	95	273	1522		331263
LP2M 552x45/49W T16	100, 150, 300	321	1556	95	273	1522		331343
LP2M 552x73/80W T16	100, 150, 300	321	1556	95	273	1522		331403
LP2M 561x13/14W T16	100, 200	238	647	95	190	613		341173
LP2M 561x20/24W T16	100, 200	238	647	95	190	613		341273
LP2M 561x25/28W T16	100, 200	238	1256	95	190	1222		341233
LP2M 561x50/54W T16	100, 200	238	1256	95	190	1222		341353
LP2M 561x32/35W T16	100, 200	238	1556	95	190	1522		341253
LP2M 561x45/49W T16	100, 200	238	1556	95	190	1522		341333
LP2M 561x73/80W T16	100, 200	238	1556	95	190	1522		341393
LP2M 562x13/14W T16	100, 200	238	647	95	190	613		341183
LP2M 562x20/24W T16	100, 200	238	647	95	190	613		341283
LP2M 562x25/28W T16	100, 200	238	1256	95	190	1222		341243
LP2M 562x50/54W T16	100, 200	238	1256	95	190	1222		341363
LP2M 562x32/35W T16	100, 200	238	1556	95	190	1522		341263
LP2M 562x45/49W T16	100, 200	238	1556	95	190	1522		341343
LP2M 552x11W TC-S/TC-SEL	100, 150, 300	321	321	95	273	273	331782	
LP2M 552x18W TC-L	100, 150, 300	321	321	95	273	273	331422	331423
LP2M 552x26W TC-D /TC-DEL	100, 150, 300	321	321	95	273	273	331662	331663
LP2M 552x36W TC-L	100, 150, 300	321	518	95	273	484	331462	331463

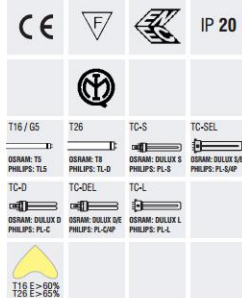
**Number of the luminaire's lamps:** the third digit of the first number (at the description) corresponds to the number of lamps eg 551x18W = 1x18W.

Note: For installing of the luminaires in plasterboard the hole dimension is represented by **A1 x L1**.

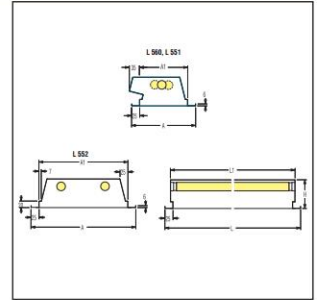
# RECESSED LUMINAIRES - PROFESSIONAL

## L 550 - 560

### L 550 - 560 LP2S



- Louvre 2S with transverse parabolic louvers and double parabolic longitudinal elements (reflectors), from anodized non iridescent semi-glossy aluminium (non-reflecting).
- 2S louvre of the luminaires LP 551, LP 552 & LP 561 have illuminance <math><200\text{cd/m}^2</math> for radial angles >math>65^\circ</math>, while those of the luminaire LP 562 have illuminance <math><1000\text{cd/m}^2</math> for radial angles >math>65^\circ</math>.



Description	Staves pitch width	Dimensions					Conventional Ballast and capacitor Code	Electronic Ballast Code
		A	L	H	A1	L1		
LP2S 551x18W T26	150	196	647	95	148	613	332012	332013
LP2S 551x36W T26	150	196	1256	95	148	1222	332112	332113
LP2S 551x58W T26	150	196	1556	95	148	1522	332152	332153
LP2S 552x18W T26	100, 150, 300	321	647	95	273	613	332022	332023
LP2S 552x36W T26	100, 150, 300	321	1256	95	273	1222	332122	332123
LP2S 552x58W T26	100, 150, 300	321	1556	95	273	1522	332162	332163
LP2S 561x18W T26	100, 200	238	647	95	190	613	342012	342013
LP2S 561x36W T26	100, 200	238	1256	95	190	1222	342112	342113
LP2S 561x58W T26	100, 200	238	1556	95	190	1522	342152	342153
LP2S 562x18W T26	100, 200	238	647	95	190	613	342022	342023
LP2S 562x36W T26	100, 200	238	1256	95	190	1222	342122	342123
LP2S 562x58W T26	100, 200	238	1556	95	190	1522	342162	342163
LP2S 551x13/14W T16	150	196	647	95	148	613		332173
LP2S 551x20/24W T16	150	196	647	95	148	613		332273
LP2S 551x25/28W T16	150	196	1256	95	148	1222		332233
LP2S 551x50/54W T16	150	196	1256	95	148	1222		332353
LP2S 551x32/35W T16	150	196	1556	95	148	1522		332253
LP2S 551x45/49W T16	150	196	1556	95	148	1522		332333
LP2S 552x13/14W T16	100, 150, 300	321	647	95	273	613		332183
LP2S 552x20/24W T16	100, 150, 300	321	647	95	273	613		332283
LP2S 552x25/28W T16	100, 150, 300	321	1256	95	273	1222		332243
LP2S 552x50/54W T16	100, 150, 300	321	1256	95	273	1222		332363
LP2S 552x32/35W T16	100, 150, 300	321	1556	95	273	1522		332263
LP2S 552x45/49W T16	100, 150, 300	321	1556	95	273	1522		332343
LP2S 552x73/80W T16	100, 150, 300	321	1556	95	273	1522		332403
LP2S 561x13/14W T16	100, 200	238	647	95	190	613		342173
LP2S 561x20/24W T16	100, 200	238	647	95	190	613		342273
LP2S 561x25/28W T16	100, 200	238	1256	95	190	1222		342233
LP2S 561x50/54W T16	100, 200	238	1256	95	190	1222		342353
LP2S 561x32/35W T16	100, 200	238	1556	95	190	1522		342253
LP2S 561x45/49W T16	100, 200	238	1556	95	190	1522		342333
LP2S 561x73/80W T16	100, 200	238	1556	95	190	1522		342393
LP2S 562x13/14W T16	100, 200	238	647	95	190	613		342183
LP2S 562x20/24W T16	100, 200	238	647	95	190	613		342283
LP2S 562x25/28W T16	100, 200	238	1256	95	190	1222		342243
LP2S 562x50/54W T16	100, 200	238	1256	95	190	1222		342363
LP2S 562x32/35W T16	100, 200	238	1556	95	190	1522		342263
LP2S 562x45/49W T16	100, 200	238	1556	95	190	1522		342343
LP2S 552x11W TC-S/TC-SEL	100, 150, 300	321	321	95	273	273	332782	
LP2S 552x18W TC-L	100, 150, 300	321	321	95	273	273	332422	332423
LP2S 552x26W TC-D /TC-DEL	100, 150, 300	321	321	95	273	273	332662	332663
LP2S 552x36W TC-L	100, 150, 300	321	518	95	273	484	332462	332463

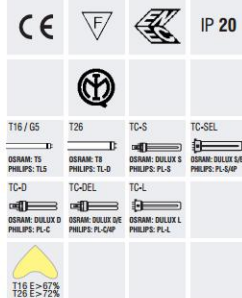
**Number of the luminaire's lamps:** the third digit of the first number (at the description) corresponds to the number of lamps eg 551x18W = 1x18W.

Note: For installing of the luminaires in plasterboard the hole dimension is represented by **A1 x L1**.

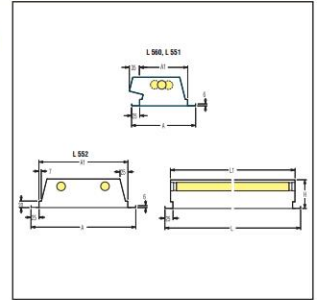
# RECESSED LUMINAIRES - PROFESSIONAL

## L 550 - 560

### L 550 - 560 LP3M



- Louvres 3M with transverse parabolic louvers and double parabolic longitudinal elements (reflectors), with square cell section from anodized non iridescent specular aluminium.



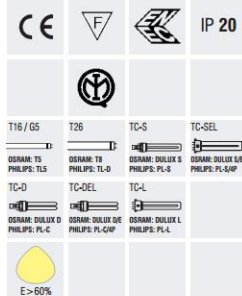
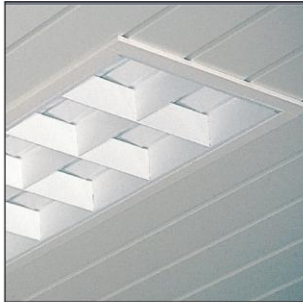
Description	Staves pitch width	Dimensions					Conventional Ballast and capacitor Code	Electronic Ballast Code
		A	L	H	A1	L1		
LP3M 551x18W T26	150	196	647	95	148	613	333012	333013
LP3M 551x36W T26	150	196	1256	95	148	1222	333112	333113
LP3M 551x58W T26	150	196	1556	95	148	1522	333152	333153
LP3M 552x18W T26	100, 150, 300	321	647	95	273	613	333022	333023
LP3M 552x36W T26	100, 150, 300	321	1256	95	273	1222	333122	333123
LP3M 552x58W T26	100, 150, 300	321	1556	95	273	1522	333162	333163
LP3M 561x18W T26	100, 200	238	647	95	190	613	343012	343013
LP3M 561x36W T26	100, 200	238	1256	95	190	1222	343112	343113
LP3M 561x58W T26	100, 200	238	1556	95	190	1522	343152	343153
LP3M 562x18W T26	100, 200	238	647	95	190	613	343022	343023
LP3M 562x36W T26	100, 200	238	1256	95	190	1222	343122	343123
LP3M 562x58W T26	100, 200	238	1556	95	190	1522	343162	343163
LP3M 551x13/14W T16	150	196	647	95	148	613		333173
LP3M 551x20/24W T16	150	196	647	95	148	613		333273
LP3M 551x25/28W T16	150	196	1256	95	148	1222		333233
LP3M 551x50/54W T16	150	196	1256	95	148	1222		333353
LP3M 551x32/35W T16	150	196	1556	95	148	1522		333253
LP3M 551x45/49W T16	150	196	1556	95	148	1522		333333
LP3M 552x13/14W T16	100, 150, 300	321	647	95	273	613		333183
LP3M 552x20/24W T16	100, 150, 300	321	647	95	273	613		333283
LP3M 552x25/28W T16	100, 150, 300	321	1256	95	273	1222		333243
LP3M 552x50/54W T16	100, 150, 300	321	1256	95	273	1222		333363
LP3M 552x32/35W T16	100, 150, 300	321	1556	95	273	1522		333263
LP3M 552x45/49W T16	100, 150, 300	321	1556	95	273	1522		333343
LP3M 552x73/80W T16	100, 150, 300	321	1556	95	273	1522		333403
LP3M 561x13/14W T16	100, 200	238	647	95	190	613		343173
LP3M 561x20/24W T16	100, 200	238	647	95	190	613		343273
LP3M 561x25/28W T16	100, 200	238	1256	95	190	1222		343233
LP3M 561x50/54W T16	100, 200	238	1256	95	190	1222		343353
LP3M 561x32/35W T16	100, 200	238	1556	95	190	1522		343253
LP3M 561x45/49W T16	100, 200	238	1556	95	190	1522		343333
LP3M 561x73/80W T16	100, 200	238	1556	95	190	1522		343393
LP3M 562x13/14W T16	100, 200	238	647	95	190	613		343183
LP3M 562x20/24W T16	100, 200	238	647	95	190	613		343283
LP3M 562x25/28W T16	100, 200	238	1256	95	190	1222		343243
LP3M 562x50/54W T16	100, 200	238	1256	95	190	1222		343363
LP3M 562x32/35W T16	100, 200	238	1556	95	190	1522		343263
LP3M 562x45/49W T16	100, 200	238	1556	95	190	1522		343343
LP3M 552x11W TC-S/TC-SEL	100, 150, 300	321	321	95	273	273	333782	333783
LP3M 552x18W TC-L	100, 150, 300	321	321	95	273	273	333422	333423
LP3M 552x26W TC-D/TC-DEL	100, 150, 300	321	321	95	273	273	333662	333663
LP3M 552x36W TC-L	100, 150, 300	321	518	95	273	484	333462	333463

**Number of the luminaire's lamps:** the third digit of the first number (at the description) corresponds to the number of lamps eg 551x18W = 1x18W.

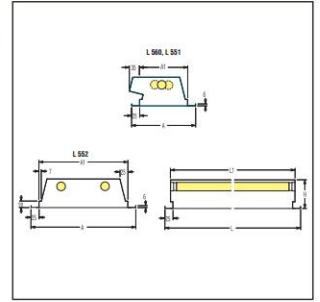
Note: For installing of the luminaires in plasterboard the hole dimension is represented by **A1 x L1**.

**L 550 - 560**

**L 550 - 560 LP3V**



- Louvre 3V with transverse parabolic louvers and double parabolic longitudinal elements (reflectors), with square cell section in white painted steel.



Description	Staves pitch width	Dimensions					Conventional Ballast and capacitor		Electronic Ballast	
		A	L	H	A1	L1	Code	Code	Code	Code
LP3V 551x18W T26	150	196	647	95	148	613	334012			334013
LP3V 551x36W T26	150	196	1256	95	148	1222	334112			334113
LP3V 551x58W T26	150	196	1556	95	148	1522	334152			334153
LP3V 552x18W T26	100, 150, 300	321	647	95	273	613	334022			334023
LP3V 552x36W T26	100, 150, 300	321	1256	95	273	1222	334122			334123
LP3V 552x58W T26	100, 150, 300	321	1556	95	273	1522	334162			334163
LP3V 561x18W T26	100, 200	238	647	95	190	613	344012			344013
LP3V 561x36W T26	100, 200	238	1256	95	190	1222	344112			344113
LP3V 561x58W T26	100, 200	238	1556	95	190	1522	344152			344153
LP3V 562x18W T26	100, 200	238	647	95	190	613	344022			344023
LP3V 562x36W T26	100, 200	238	1256	95	190	1222	344122			344123
LP3V 562x58W T26	100, 200	238	1556	95	190	1522	344162			344163
LP3V 551x13/14W T16	150	196	647	95	148	613				334173
LP3V 551x20/24W T16	150	196	647	95	148	613				334273
LP3V 551x25/28W T16	150	196	1256	95	148	1222				334233
LP3V 551x50/54W T16	150	196	1256	95	148	1222				334353
LP3V 551x32/35W T16	150	196	1556	95	148	1522				334253
LP3V 551x45/49W T16	150	196	1556	95	148	1522				334333
LP3V 552x13/14W T16	100, 150, 300	321	647	95	273	613				334183
LP3V 552x20/24W T16	100, 150, 300	321	647	95	273	613				334283
LP3V 552x25/28W T16	100, 150, 300	321	1256	95	273	1222				334243
LP3V 552x50/54W T16	100, 150, 300	321	1256	95	273	1222				334363
LP3V 552x32/35W T16	100, 150, 300	321	1556	95	273	1522				334263
LP3V 552x45/49W T16	100, 150, 300	321	1556	95	273	1522				334343
LP3V 552x73/80W T16	100, 150, 300	321	1556	95	273	1522				334403
LP3V 561x13/14W T16	100, 200	238	647	95	190	613				344173
LP3V 561x20/24W T16	100, 200	238	647	95	190	613				344273
LP3V 561x25/28W T16	100, 200	238	1256	95	190	1222				344233
LP3V 561x50/54W T16	100, 200	238	1256	95	190	1222				344353
LP3V 561x32/35W T16	100, 200	238	1556	95	190	1522				344253
LP3V 561x45/49W T16	100, 200	238	1556	95	190	1522				344333
LP3V 561x73/80W T16	100, 200	238	1556	95	190	1522				344393
LP3V 562x13/14W T16	100, 200	238	647	95	190	613				344183
LP3V 562x20/24W T16	100, 200	238	647	95	190	613				344283
LP3V 562x25/28W T16	100, 200	238	1256	95	190	1222				344243
LP3V 562x50/54W T16	100, 200	238	1256	95	190	1222				344363
LP3V 562x32/35W T16	100, 200	238	1556	95	190	1522				344263
LP3V 562x45/49W T16	100, 200	238	1556	95	190	1522				344343
LP3V 552x11W TC-S/TC-SEL	100, 150, 300	321	321	95	273	273	334782			
LP3V 552x18W TC-L	100, 150, 300	321	321	95	273	273	334422			334423
LP3V 552x26W TC-D /TC-DEL	100, 150, 300	321	321	95	273	273	334662			334663
LP3V 552x36W TC-L	100, 150, 300	321	518	95	273	484	334462			334463

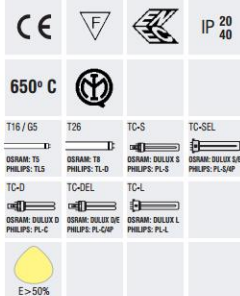
**Number of the luminaire's lamps:** the third digit of the first number (at the description) corresponds to the number of lamps eg 551x18W = 1x18W.

Note: For installing of the luminaires in plasterboard the hole dimension is represented by **A1 x L1**.

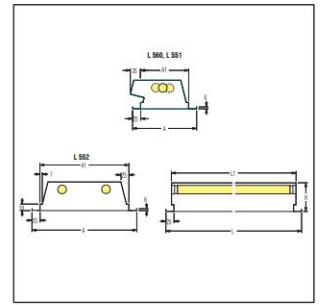
# RECESSED LUMINAIRES - PROFESSIONAL

## L 550 - 560

## L 550 - 560 LSP



- Flat cover made of transparent prismatic methacrylate, anti-glare.
- Steel frame painted in white colour, with steel springs to adapt the cover to the body of the luminaire.
- Protection degree IP40, IP20 in the ceiling.



Description	Staves pitch width	Dimensions					Conventional Ballast and capacitor		Electronic Ballast	
		A	L	H	A1	L1	Code	Code	Code	Code
LSP 551x18W T26	150	196	647	95	148	613	339012			339013
LSP 551x36W T26	150	196	1256	95	148	1222	339112			339113
LSP 551x58W T26	150	196	1556	95	148	1522	339152			339153
LSP 552x18W T26	100, 150, 300	321	647	95	273	613	339022			339023
LSP 552x36W T26	100, 150, 300	321	1256	95	273	1222	339122			339123
LSP 552x58W T26	100, 150, 300	321	1556	95	273	1522	339162			339163
LSP 561x18W T26	100, 200	238	647	95	190	613	349012			349013
LSP 561x36W T26	100, 200	238	1256	95	190	1222	349112			349113
LSP 561x58W T26	100, 200	238	1556	95	190	1522	349152			349153
LSP 562x18W T26	100, 200	238	647	95	190	613	349022			349023
LSP 562x36W T26	100, 200	238	1256	95	190	1222	349122			349123
LSP 562x58W T26	100, 200	238	1556	95	190	1522	349162			349163
LSP 551x13/14W T16	150	196	647	95	148	613				339173
LSP 551x20/24W T16	150	196	647	95	148	613				339273
LSP 551x25/28W T16	150	196	1256	95	148	1222				339233
LSP 551x50/54W T16	150	196	1256	95	148	1222				339353
LSP 551x32/35W T16	150	196	1556	95	148	1522				339253
LSP 551x45/49W T16	150	196	1556	95	148	1522				339333
LSP 552x13/14W T16	100, 150, 300	321	647	95	273	613				339183
LSP 552x20/24W T16	100, 150, 300	321	647	95	273	613				339283
LSP 552x25/28W T16	100, 150, 300	321	1256	95	273	1222				339243
LSP 552x50/54W T16	100, 150, 300	321	1256	95	273	1222				339363
LSP 552x32/35W T16	100, 150, 300	321	1556	95	273	1522				339263
LSP 552x45/49W T16	100, 150, 300	321	1556	95	273	1522				339343
LSP 552x73/80W T16	100, 150, 300	321	1556	95	273	1522				339403
LSP 561x13/14W T16	100, 200	238	647	95	190	613				349173
LSP 561x20/24W T16	100, 200	238	647	95	190	613				349273
LSP 561x25/28W T16	100, 200	238	1256	95	190	1222				349233
LSP 561x50/54W T16	100, 200	238	1256	95	190	1222				349353
LSP 561x32/35W T16	100, 200	238	1556	95	190	1522				349253
LSP 561x45/49W T16	100, 200	238	1556	95	190	1522				349333
LSP 561x73/80W T16	100, 200	238	1556	95	190	1522				349393
LSP 562x13/14W T16	100, 200	238	647	95	190	613				349183
LSP 562x20/24W T16	100, 200	238	647	95	190	613				349283
LSP 562x25/28W T16	100, 200	238	1256	95	190	1222				349243
LSP 562x50/54W T16	100, 200	238	1256	95	190	1222				349363
LSP 562x32/35W T16	100, 200	238	1556	95	190	1522				349263
LSP 562x45/49W T16	100, 200	238	1556	95	190	1522				349343
LSP 552x11W TC-S/TC-SEL	100, 150, 300	321	321	95	273	273	339782			
LSP 552x18W TC-L	100, 150, 300	321	321	95	273	273	339422			339423
LSP 552x26W TC-D/TC-DEL	100, 150, 300	321	321	95	273	273	339662			
LSP 552x36W TC-L	100, 150, 300	321	518	95	273	484	339462			339463

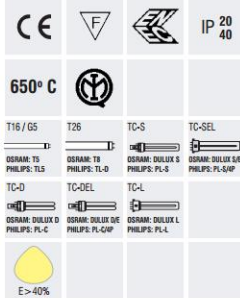
**Number of the luminaire's lamps:** the third digit of the first number (at the description) corresponds to the number of lamps eg 551x18W = 1x18W.

Note: For installing of the luminaires in plasterboard the hole dimension is represented by **A1 x L1**.

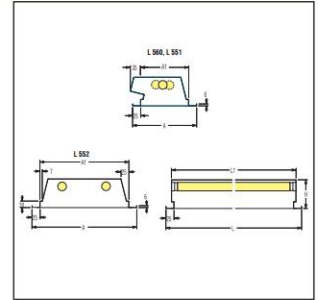
# RECESSED LUMINAIRES - PROFESSIONAL

## L 550 - 560

### L 550 - 560 LSP0



- Flat cover made of opal methacrylate.
- Steel frame painted in white colour, with steel springs to adapt the cover to the body of the luminaire.
- Protection degree IP40, IP20 in the ceiling.



Description	Staves pitch width	Dimensions					Conventional Ballast and capacitor Code	Electronic Ballast Code
		A	L	H	A1	L1		
LSP0 551x18W T26	150	196	647	95	148	613	330012	330013
LSP0 551x36W T26	150	196	1256	95	148	1222	330112	330113
LSP0 551x58W T26	150	196	1556	95	148	1522	330152	330153
LSP0 552x18W T26	100, 150, 300	321	647	95	273	613	330022	330023
LSP0 552x36W T26	100, 150, 300	321	1256	95	273	1222	330122	330123
LSP0 552x58W T26	100, 150, 300	321	1556	95	273	1522	330162	330163
LSP0 561x18W T26	100, 200	238	647	95	190	613	340012	340013
LSP0 561x36W T26	100, 200	238	1256	95	190	1222	340112	340113
LSP0 561x58W T26	100, 200	238	1556	95	190	1522	340152	340153
LSP0 562x18W T26	100, 200	238	647	95	190	613	340022	340023
LSP0 562x36W T26	100, 200	238	1256	95	190	1222	340122	340123
LSP0 562x58W T26	100, 200	238	1556	95	190	1522	340162	340163
LSP0 551x13/14W T16	150	196	647	95	148	613		330173
LSP0 551x20/24W T16	150	196	647	95	148	613		330273
LSP0 551x25/28W T16	150	196	1256	95	148	1222		330233
LSP0 551x50/54W T16	150	196	1256	95	148	1222		330353
LSP0 551x32/35W T16	150	196	1556	95	148	1522		330253
LSP0 551x45/49W T16	150	196	1556	95	148	1522		330333
LSP0 552x13/14W T16	100, 150, 300	321	647	95	273	613		330183
LSP0 552x20/24W T16	100, 150, 300	321	647	95	273	613		330283
LSP0 552x25/28W T16	100, 150, 300	321	1256	95	273	1222		330243
LSP0 552x50/54W T16	100, 150, 300	321	1256	95	273	1222		330363
LSP0 552x32/35W T16	100, 150, 300	321	1556	95	273	1522		330263
LSP0 552x45/49W T16	100, 150, 300	321	1556	95	273	1522		330343
LSP0 552x73/80W T16	100, 150, 300	321	1556	95	273	1522		330403
LSP0 561x13/14W T16	100, 200	238	647	95	190	613		340173
LSP0 561x20/24W T16	100, 200	238	647	95	190	613		340273
LSP0 561x25/28W T16	100, 200	238	1256	95	190	1222		340233
LSP0 561x50/54W T16	100, 200	238	1256	95	190	1222		340353
LSP0 561x32/35W T16	100, 200	238	1556	95	190	1522		340253
LSP0 561x45/49W T16	100, 200	238	1556	95	190	1522		340333
LSP0 561x73/80W T16	100, 200	238	1556	95	190	1522		340393
LSP0 562x13/14W T16	100, 200	238	647	95	190	613		340183
LSP0 562x20/24W T16	100, 200	238	647	95	190	613		340283
LSP0 562x25/28W T16	100, 200	238	1256	95	190	1222		340243
LSP0 562x50/54W T16	100, 200	238	1256	95	190	1222		340363
LSP0 562x32/35W T16	100, 200	238	1556	95	190	1522		340263
LSP0 562x45/49W T16	100, 200	238	1556	95	190	1522		340343
LSP0 552x11W TC-S/TC-SEL	100, 150, 300	321	321	95	273	273	330782	
LSP0 552x18W TC-L	100, 150, 300	321	321	95	273	273	330422	330423
LSP0 552x26W TC-D /TC-DEL	100, 150, 300	321	321	95	273	273	330662	
LSP0 552x36W TC-L	100, 150, 300	321	518	95	273	484	330462	330463

**Number of the luminaire's lamps:** the third digit of the first number (at the description) corresponds to the number of lamps eg 551x18W = 1x18W.

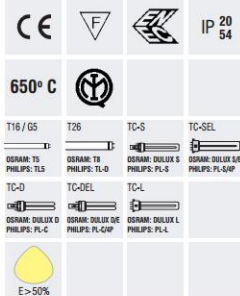
Note: For installing of the luminaires in plasterboard the hole dimension is represented by **A1 x L1**.



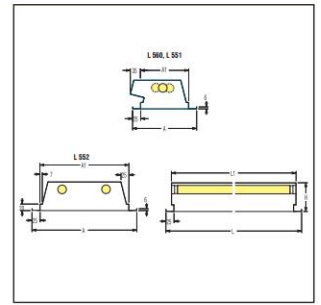
# RECESSED LUMINAIRES - PROFESSIONAL

## L 550 - 560

### L 550 - 560 LSP IP54



- Flat cover made of transparent prismatic methacrylate, anti-glare.
- Steel frame painted in white colour, with steel springs to adapt the cover to the body of the luminaire.
- Protection degree IP54, IP20 in the ceiling.



Description	Staves pitch width	Dimensions					Conventional Ballast and capacitor		Electronic Ballast	
		A	L	H	A1	L1	Code	Code	Code	Code
LSP 551x18W T26 IP54	150	196	647	95	148	613	583012			583013
LSP 551x36W T26 IP54	150	196	1256	95	148	1222	583112			583113
LSP 551x58W T26 IP54	150	196	1556	95	148	1522	583152			583153
LSP 552x18W T26 IP54	100, 150, 300	321	647	95	273	613	583022			583023
LSP 552x36W T26 IP54	100, 150, 300	321	1256	95	273	1222	583122			583123
LSP 552x58W T26 IP54	100, 150, 300	321	1556	95	273	1522	583162			583163
LSP 561x18W T26 IP54	100, 200	238	647	95	190	613	584012			584013
LSP 561x36W T26 IP54	100, 200	238	1256	95	190	1222	584112			584113
LSP 561x58W T26 IP54	100, 200	238	1556	95	190	1522	584152			584153
LSP 562x18W T26 IP54	100, 200	238	647	95	190	613	584022			584023
LSP 562x36W T26 IP54	100, 200	238	1256	95	190	1222	584122			584123
LSP 562x58W T26 IP54	100, 200	238	1556	95	190	1522	584162			584163
LSP 551x13/14W T16 IP54	150	196	647	95	148	613				583173
LSP 551x20/24W T16 IP54	150	196	647	95	148	613				583273
LSP 551x25/28W T16 IP54	150	196	1256	95	148	1222				583233
LSP 551x50/54W T16 IP54	150	196	1256	95	148	1222				583353
LSP 551x32/35W T16 IP54	150	196	1556	95	148	1522				583253
LSP 551x45/49W T16 IP54	150	196	1556	95	148	1522				583333
LSP 552x13/14W T16 IP54	100, 150, 300	321	647	95	273	613				583183
LSP 552x20/24W T16 IP54	100, 150, 300	321	647	95	273	613				583283
LSP 552x25/28W T16 IP54	100, 150, 300	321	1256	95	273	1222				583243
LSP 552x50/54W T16 IP54	100, 150, 300	321	1256	95	273	1222				583363
LSP 552x32/35W T16 IP54	100, 150, 300	321	1556	95	273	1522				583263
LSP 552x45/49W T16 IP54	100, 150, 300	321	1556	95	273	1522				583343
LSP 552x73/80W T16 IP54	100, 150, 300	321	1556	95	273	1522				583403
LSP 561x13/14W T16 IP54	100, 200	238	647	95	190	613				584173
LSP 561x20/24W T16 IP54	100, 200	238	647	95	190	613				584273
LSP 561x25/28W T16 IP54	100, 200	238	1256	95	190	1222				584233
LSP 561x50/54W T16 IP54	100, 200	238	1256	95	190	1222				584353
LSP 561x32/35W T16 IP54	100, 200	238	1556	95	190	1522				584253
LSP 561x45/49W T16 IP54	100, 200	238	1556	95	190	1522				584333
LSP 561x73/80W T16 IP54	100, 200	238	1556	95	190	1522				584393
LSP 562x13/14W T16 IP54	100, 200	238	647	95	190	613				584183
LSP 562x20/24W T16 IP54	100, 200	238	647	95	190	613				584283
LSP 562x25/28W T16 IP54	100, 200	238	1256	95	190	1222				584243
LSP 562x50/54W T16 IP54	100, 200	238	1256	95	190	1222				584363
LSP 562x32/35W T16 IP54	100, 200	238	1556	95	190	1522				584263
LSP 562x45/49W T16 IP54	100, 200	238	1556	95	190	1522				584343
LSP 552x11W IP54 TC-S/TC-SEL	100, 150, 300	321	321	95	273	273	583782			
LSP 552x18W IP54 TC-L	100, 150, 300	321	321	95	273	273	583422			583423
LSP 552x26W IP54 TC-D/TC-DEL	100, 150, 300	321	321	95	273	273	583662			
LSP 552x36W IP54 TC-L	100, 150, 300	321	518	95	273	484	583462			583463

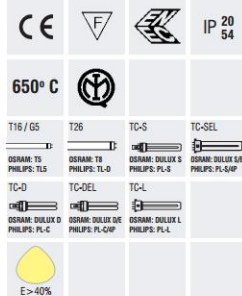
**Number of the luminaire's lamps:** the third digit of the first number (at the description) corresponds to the number of lamps eg 551x18W = 1x18W.

Note: For installing of the luminaires in plasterboard the hole dimension is represented by **A1 x L1**.

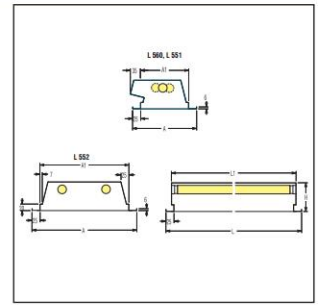
# RECESSED LUMINAIRES - PROFESSIONAL

## L 550 - 560

### L 550 - 560 LSPO IP54



- Flat cover made of opal methacrylate.
- Steel frame painted in white colour, with steel springs to adapt the cover to the body of the luminaire.
- Protection degree IP54, IP20 in the ceiling.



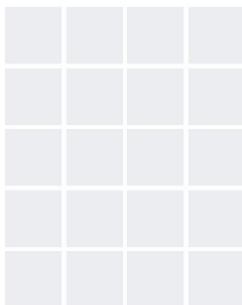
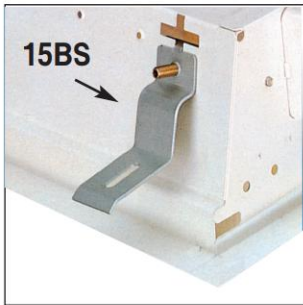
Description	Staves pitch width	Dimensions					Conventional Ballast and capacitor Code	Electronic Ballast Code
		A	L	H	A1	L1		
LSPO 551x18W T26 IP54	150	196	647	95	148	613	587012	587013
LSPO 551x36W T26 IP54	150	196	1256	95	148	1222	587112	587113
LSPO 551x58W T26 IP54	150	196	1556	95	148	1522	587152	587153
LSPO 552x18W T26 IP54	100, 150, 300	321	647	95	273	613	587022	587023
LSPO 552x36W T26 IP54	100, 150, 300	321	1256	95	273	1222	587122	587123
LSPO 552x58W T26 IP54	100, 150, 300	321	1556	95	273	1522	587162	587163
LSPO 561x18W T26 IP54	100, 200	238	647	95	190	613	588012	588013
LSPO 561x36W T26 IP54	100, 200	238	1256	95	190	1222	588112	588113
LSPO 561x58W T26 IP54	100, 200	238	1556	95	190	1522	588152	588153
LSPO 562x18W T26 IP54	100, 200	238	647	95	190	613	588022	588023
LSPO 562x36W T26 IP54	100, 200	238	1256	95	190	1222	588122	588123
LSPO 562x58W T26 IP54	100, 200	238	1556	95	190	1522	588162	588163
LSPO 551x13/14W T16 IP54	150	196	647	95	148	613		587173
LSPO 551x20/24W T16 IP54	150	196	647	95	148	613		587273
LSPO 551x25/28W T16 IP54	150	196	1256	95	148	1222		587233
LSPO 551x50/54W T16 IP54	150	196	1256	95	148	1222		587353
LSPO 551x32/35W T16 IP54	150	196	1556	95	148	1522		587253
LSPO 551x45/49W T16 IP54	150	196	1556	95	148	1522		587333
LSPO 552x13/14W T16 IP54	100, 150, 300	321	647	95	273	613		587183
LSPO 552x20/24W T16 IP54	100, 150, 300	321	647	95	273	613		587283
LSPO 552x25/28W T16 IP54	100, 150, 300	321	1256	95	273	1222		587243
LSPO 552x50/54W T16 IP54	100, 150, 300	321	1256	95	273	1222		587363
LSPO 552x32/35W T16 IP54	100, 150, 300	321	1556	95	273	1522		587263
LSPO 552x45/49W T16 IP54	100, 150, 300	321	1556	95	273	1522		587343
LSPO 552x73/80W T16 IP54	100, 150, 300	321	1556	95	273	1522		587403
LSPO 561x13/14W T16 IP54	100, 200	238	647	95	190	613		588173
LSPO 561x20/24W T16 IP54	100, 200	238	647	95	190	613		588273
LSPO 561x25/28W T16 IP54	100, 200	238	1256	95	190	1222		588233
LSPO 561x50/54W T16 IP54	100, 200	238	1256	95	190	1222		588353
LSPO 561x32/35W T16 IP54	100, 200	238	1556	95	190	1522		588253
LSPO 561x45/49W T16 IP54	100, 200	238	1556	95	190	1522		588333
LSPO 561x73/80W T16 IP54	100, 200	238	1556	95	190	1522		588393
LSPO 562x13/14W T16 IP54	100, 200	238	647	95	190	613		588183
LSPO 562x20/24W T16 IP54	100, 200	238	647	95	190	613		588283
LSPO 562x25/28W T16 IP54	100, 200	238	1256	95	190	1222		588243
LSPO 562x50/54W T16 IP54	100, 200	238	1256	95	190	1222		588363
LSPO 562x32/35W T16 IP54	100, 200	238	1556	95	190	1522		588263
LSPO 562x45/49W T16 IP54	100, 200	238	1556	95	190	1522		588343
LSPO 552x11W IP54 TC-S/TC-SEL	100, 150, 300	321	321	95	273	273	587782	
LSPO 552x18W IP54 TC-L	100, 150, 300	321	321	95	273	273	587422	587423
LSPO 552x26W IP54 TC-D/TC-DEL	100, 150, 300	321	321	95	273	273	587662	
LSPO 552x36W IP54 TC-L	100, 150, 300	321	518	95	273	484	587462	587463

**Number of the luminaire's lamps:** the third digit of the first number (at the description) corresponds to the number of lamps eg 551x18W = 1x18W.

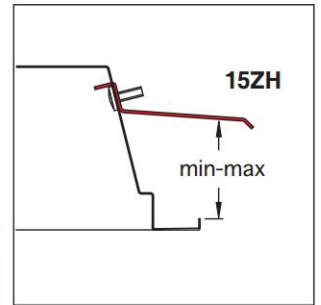
Note: For installing of the luminaires in plasterboard the hole dimension is represented by **A1 x L1**.

L 550 - 560

L 550 - 560 ACCESSORY - SUSPENSION BRACKETS

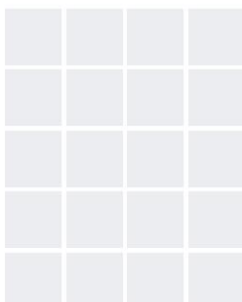
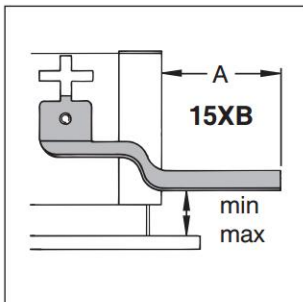


- Suspension brackets from galvanized steel thickness 1,5mm, necessary for the installation in plasterboard or in staves pitch (width 100, 150, 200, 300mm) placed parallel to the luminaires.



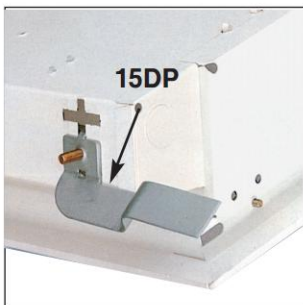
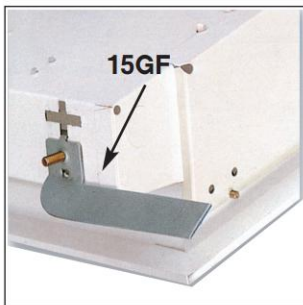
Code	Description
303001	15 BS 15 BS min.18mm, max. 45mm (4 pieces) 0170
303005	15 ZH 15 ZH min.45mm, max. 72mm (4 pieces) 0177

L 550 - 560 ACCESSORY - SUSPENSION BRACKETS



- Suspension brackets from galvanized steel thickness 1,5mm, necessary for the installation of L550, L560 luminaires in staves pitch (width 100, 150, 200, 300mm), placed transverse to the luminaires.

Code	Description
303004	15 XB 15 XB min.20mm, max. 40mm A=55mm (4 pieces) 0176
303003	15 GF 15 GF min.40mm, max. 60mm A=60mm (4 pieces) 0175
303002	15 DP 15 DP min.60mm, max. 80mm A=55mm (4 pieces) 0174

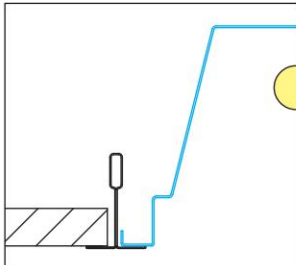




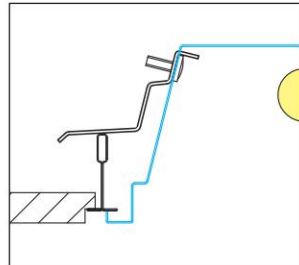
**LSV 320:** Recessed luminaires for panels in mineral fibre with exposed structure 600x600, 600x1200mm.

**LSV 404:** Recessed luminaires for panels in mineral fibre with concealed structure or plasterboard ceiling, 600x600mm.

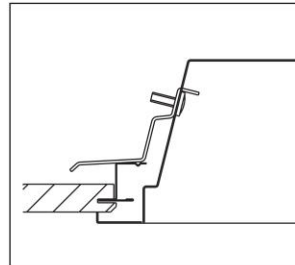
**LSV 551 - 552:** Recessed luminaires in staves pitch, or plasterboard ceiling.



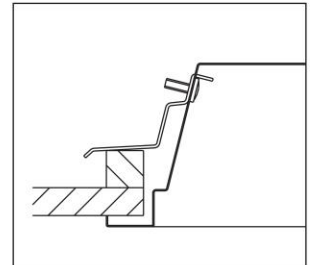
Mineral fiber panels 600x600, 600x1200 with exposed structure. Mounted by fitting on structure.



Mineral fiber panels 600x600, 600x1200 with decoration in relief. Mounting with exposed edge, using fixing brackets 15BS.



Mineral fibre panels 600x600, 600x1200, with concealed structure. Fixing bracket item 15BS.



Plasterboard ceiling. Fixing bracket item 15BS.

### Technical Features

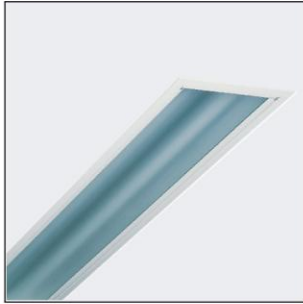
- Luminaires for fluorescent lamps T26 & T16.
- Steel body, electrostatically painted in white color.
- Mislite protection glass, anti-glare. Steel, white painted frame with seal rubber and steel springs to adjust the cover to the body of the luminaire.

- Connection for operation on 230V-50Hz with conventional ballast and power factor correction capacitor (lamp T26).
- Connection for operation on 230V-50Hz with electronic ballast (lamps T26, T16).
- Connection for operation with electronic dimmable ballast (lamps T26, T16).
- Connection for emergency lighting system (lamps T26, T16).

# RECESSED LUMINAIRES - PROFESSIONAL

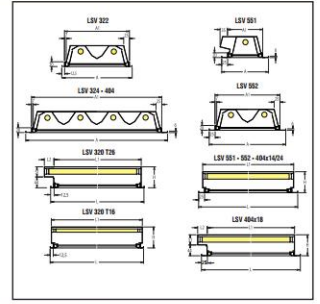
## LSV / OVS

### LSV



CE	F	IP 54
950° C	6,5 J	
T16 / G5	T26	
OSRAM: T5 PHILIPS: TL5	OSRAM: T8 PHILIPS: TL8	

- Reflector from semi-specular anodized aluminium.



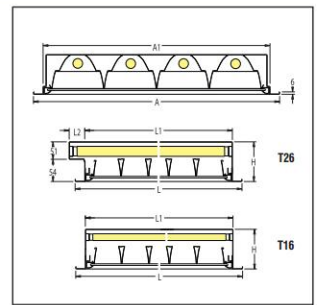
Description	For panels with structure	Dimensions						Conventional Ballast and capacitor Code	Electronic Ballast Code
		A	L	H	A1	L1	L2		
LSV 324x18W T26 IP54	<b>600 x 600</b>	596	596	95	573	573	40	383042	383043
LSV 322x36W T26 IP54	<b>300 x 1200</b>	296	1196	95	273	1173		383122	383123
LSV 324x13/14W T16 IP54	<b>600 x 600</b>	596	596	95	573	573	40		383203
LSV 324x20/24W T16 IP54	<b>600 x 600</b>	596	596	95	573	573	40		383303
LSV 322x25/28W T16 IP54	<b>300 x 1200</b>	296	1196	95	273	1173			383243
LSV 322x50/54W T16 IP54	<b>300 x 1200</b>	296	1196	95	273	1173			383363
LSV 404x18W T26 IP54		621	621	95	<b>573</b>	<b>573</b>	40	384042	384043
LSV 404x13/14W T16 IP54		621	621	95	<b>573</b>	<b>573</b>	40		384203
LSV 404x20/24W T16 IP54		621	621	95	<b>573</b>	<b>573</b>	40		384303
	Staves pitch width								
LSV 551x36W T26 IP54	<b>150</b>	196	1256	95	<b>148</b>	<b>1222</b>		385112	385113
LSV 551x58W T26 IP54	<b>150</b>	196	1556	95	<b>148</b>	<b>1522</b>		385152	385153
LSV 552x36W T26 IP54	<b>100, 150, 300</b>	321	1256	95	<b>273</b>	<b>1222</b>		385122	385123
LSV 552x58W T26 IP54	<b>100, 150, 300</b>	321	1556	95	<b>273</b>	<b>1522</b>		385162	385163
LSV 551x25/28W T16 IP54	<b>150</b>	196	1256	95	<b>148</b>	<b>1222</b>			385233
LSV 551x50/54W T16 IP54	<b>150</b>	196	1256	95	<b>148</b>	<b>1222</b>			385353
LSV 551x45/49W T16 IP54	<b>150</b>	196	1556	95	<b>148</b>	<b>1522</b>			385333
LSV 551x73/80W T16 IP54	<b>150</b>	196	1556	95	<b>148</b>	<b>1522</b>			385393
LSV 552x25/28W T16 IP54	<b>100, 150, 300</b>	321	1256	95	<b>273</b>	<b>1222</b>			385243
LSV 552x50/54W T16 IP54	<b>100, 150, 300</b>	321	1256	95	<b>273</b>	<b>1222</b>			385363
LSV 552x45/49W T16 IP54	<b>100, 150, 300</b>	321	1556	95	<b>273</b>	<b>1522</b>			385343
LSV 552x73/80W T16 IP54	<b>100, 150, 300</b>	321	1556	95	<b>273</b>	<b>1522</b>			385403

### OVS



CE	F	IP 54
950° C	6,5 J	
T16 / G5	T26	
OSRAM: T5 PHILIPS: TL5	OSRAM: T8 PHILIPS: TL8	

- Louvre with transverse parabolic blades and longitudinal double-parabolic elements (reflectors), from anodized non-iridescent semi-specular aluminium (non-reflecting).



Description	For panels with structure	Dimensions						Conventional Ballast and capacitor Code	Electronic Ballast Code
		A	L	H	A1	L1	L2		
OVS 324x18W T26 IP54	<b>600 x 600</b>	596	596	95	573	573	40	381042	381043
OVS 324x13/14W T16 IP54	<b>600 x 600</b>	596	596	95	573	573			381203
OVS 324x20/24W T16 IP54	<b>600 x 600</b>	596	596	95	573	573			381303
OVS 404x18W T26 IP54		621	621	95	<b>573</b>	<b>573</b>	40	382042	382043
OVS 404x13/14W T16 IP54		621	621	95	<b>573</b>	<b>573</b>			382203
OVS 404x20/24W T16 IP54		621	621	95	<b>573</b>	<b>573</b>			382303

**Number of the luminaire's lamps:** the third digit of the first number (at the description) corresponds to the number of lamps eg 324x18W = 4x18W.  
Note: For installing of the luminaires in plasterboard the hole dimension is represented by **A1 x L1**.

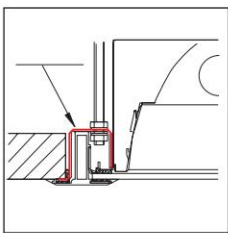
L 590 RVS / L 590 OVS



Luminaires suitable for **surgeries, pharmaceutical, chemical laboratories, aseptic rooms, sterilized rooms, platform-roof, underpasses.**

**Recommended mounting for luminaires with T26 lamps:**

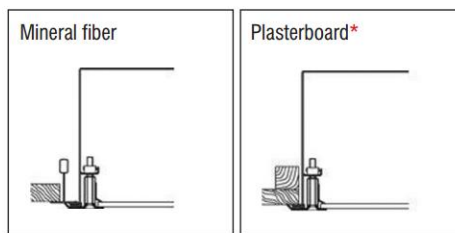
Mounting of the frame (independently of the body) with suspension rails from the standard ceiling.



**Recommended mounting for luminaires with T16 lamps:**

Mounting of the inner body (independently of the frame) with suspension rails from the standard ceiling.

Ability to mount also at mineral fiber 600x600, 1200x600.



\* For Plasterboard mounting please advice our Sales Department

Technical Features

- Luminaires for fluorescent lamps T26 & T16.
- Steel body, electrostatically painted in white color.
- Mistlite protection glass, thickness 6mm, mounted on perimeter frame, from white colour aluminium, with high-strength seal rubber. The frame is secured to the body with stainless steel screws.
- Connection for operation on 230V-50Hz with conventional ballast and power factor correction capacitor (lamp T26).
- Connection for operation on 230V-50Hz with electronic ballast (lamps T26, T16).
- Connection for operation with electronic dimmable ballast (lamps T26, T16).
- Connection for emergency lighting system (lamps T26, T16).

## RECESSED LUMINAIRES - PROFESSIONAL

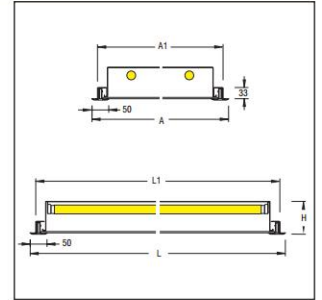
### L 590 RVS / L 590 OVS

#### LSV



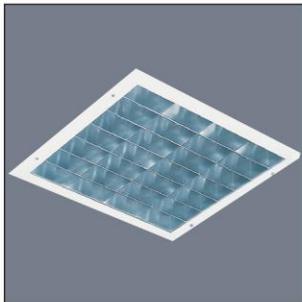
CE	F	IP 65
950° C	6,5 J	
T16/G5	T26	
OSRAM: T5 PHILIPS: T5	OSRAM: T5 PHILIPS: TL-D	

- Reflector from anodized semi-specular aluminium.



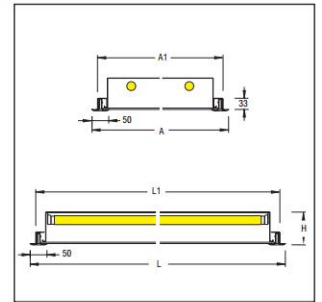
Description	Dimensions					Conventional Ballast and capacitor Code	Electronic Ballast Code
	A	L	H	A1	L1		
L 594x18W T26 RVS	665	698	100	631	665	391042	391043
L 592x36W T26 RVS	355	1324	100	321	1290	391122	391123
L 592x58W T26 RVS	355	1624	100	321	1590	391162	391163
L 593x36W T26 RVS	355	1324	100	321	1290	391132	391133
L 594x13/14W T16 RVS	599	599	94	568	568		391203
L 594x20/24W T16 RVS	599	599	94	568	568		391323
L 592x25/28W T16 RVS	299	1199	94	268	1168		391243
L 592x50/54W T16 RVS	299	1199	94	268	1168		391393
L 592x45/49W T16 RVS	299	1499	94	268	1468		391363
L 592x73/80W T16 RVS	299	1499	94	268	1468		391433
L 593x25/28W T16 RVS	299	1199	94	268	1168		391253
L 593x50/54W T16 RVS	299	1199	94	268	1168		391403
L 593x45/49W T16 RVS	299	1499	94	268	1468		391373
L 593x73/80W T16 RVS	299	1499	94	268	1468		391443
L 594x25/28W T16 RVS	599	1199	94	568	1168		391263
L 594x50/54W T16 RVS	599	1199	94	568	1168		391413

#### OVS



CE	F	IP 65
950° C	6,5 J	
T16/G5	T26	
OSRAM: T5 PHILIPS: T5	OSRAM: T5 PHILIPS: TL-D	

- Louvre with transverse parabolic blades and longitudinal double-parabolic elements (reflectors), from anodized non-iridescent semi-specular aluminium (non-reflecting).



Description	Dimensions					Conventional Ballast and capacitor Code	Electronic Ballast Code
	A	L	H	A1	L1		
L 594x18W T26 OVS	665	698	100	631	665	392042	392043
L 592x36W T26 OVS	355	1324	100	321	1290	392122	392123
L 592x58W T26 OVS	355	1624	100	321	1590	392162	392163
L 594x13/14W T16 OVS	599	599	94	568	568		392203
L 594x20/24W T16 OVS	599	599	94	568	568		392303
L 592x25/28W T16 OVS	299	1199	94	268	1168		392243
L 592x50/54W T16 OVS	299	1199	94	268	1168		392363
L 592x45/49W T16 OVS	299	1499	94	268	1468		392343
L 592x73/80W T16 OVS	299	1499	94	268	1468		392403

**Number of the luminaire's lamps:** the third digit of the first number (at the description) corresponds to the number of lamps eg 324x18W = 4x18W.

Note: For installing of the luminaires in plasterboard the hole dimension is represented by **A1 x L1**.

L 590 RVS / L 590 OVS

