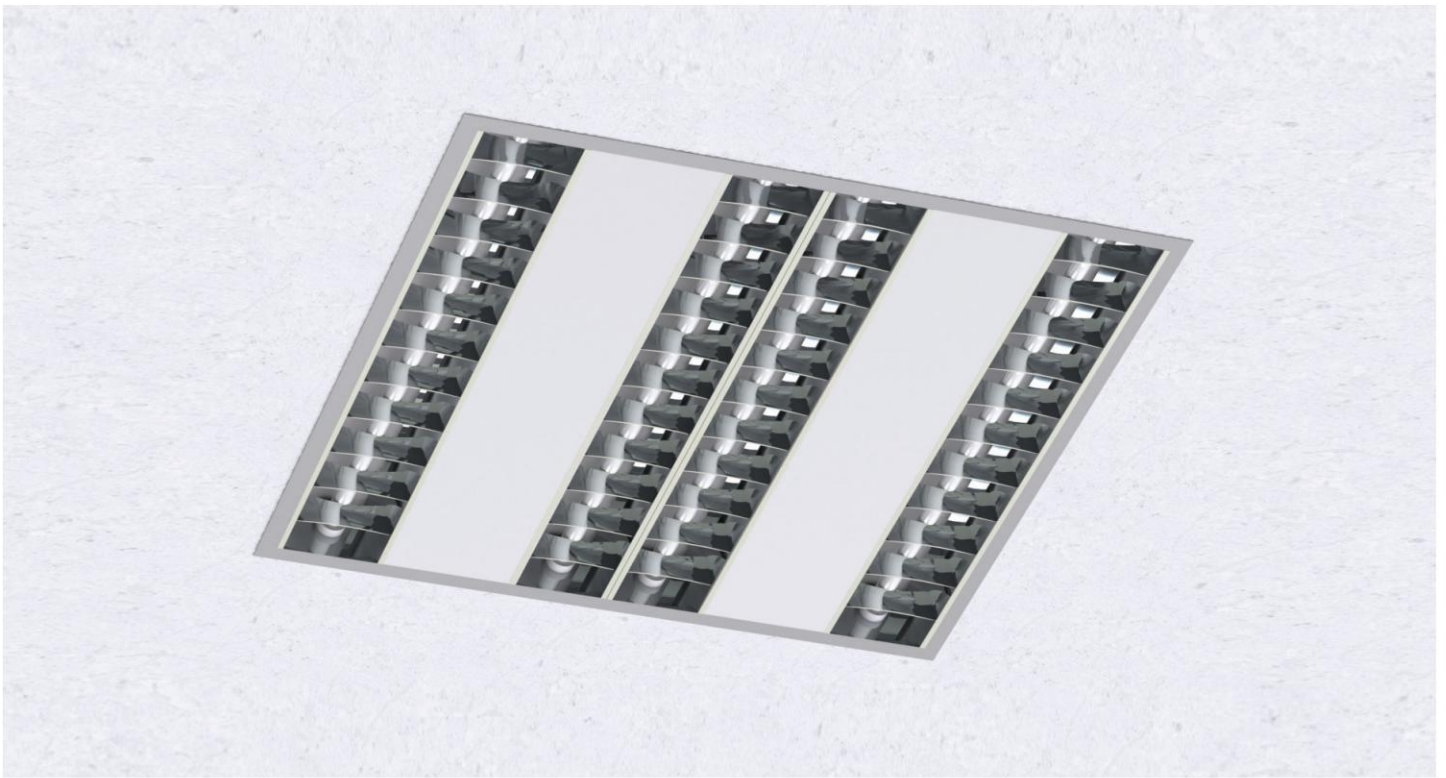


## MLM



The MLM recessed-mounted luminaire provides perfect lighting comfort and uniform, glare-free lighting. The luminaire unit impresses with its low profile, while slim-line design is emphasised by its linear contours.

### Technical Features

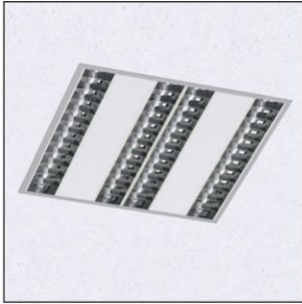
- Recessed luminaire for panels in mineral fibre with expose structure or plasterboard ceiling 600x600mm.
- Steel body painted electrostatically.
- High efficient parabolic louvre from specular aluminium.
- Connection for operation on 230V-50/60Hz with electronic ballast.

### Upon Request

- Connection for operation on 230V-50/60Hz with dimmer dali or 1-10VDC ballast.
- Connection for emergency lighting system.

MLM

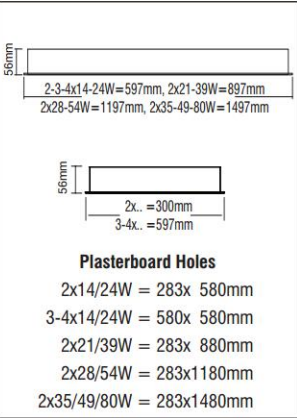
MLM



CE	F	⊕	IP 20
T16			
65			
		Included	

- Version for T16/G5.
- Parabolic louvre from specular aluminium.
- Suspension brackets not included.

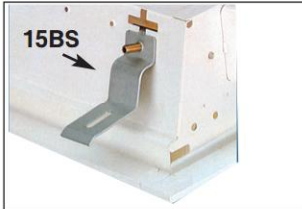
Code	Description
36118	MLM 352x14W
36119	MLM 353x14W
36120	MLM 354x14W
36128	MLM 352x24W
36129	MLM 353x24W
36130	MLM 354x24W
36122	MLM 352x21W
36132	MLM 352x39W
36124	MLM 352x28W
36136	MLM 352x54W
36126	MLM 352x35W
36134	MLM 352x49W
36140	MLM 352x80W



**Colour Codes:**

0 Colours   1 White   2 Titan

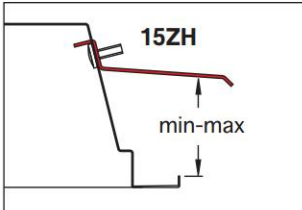
ACCESSORIES - SUSPENSION BRACKETS

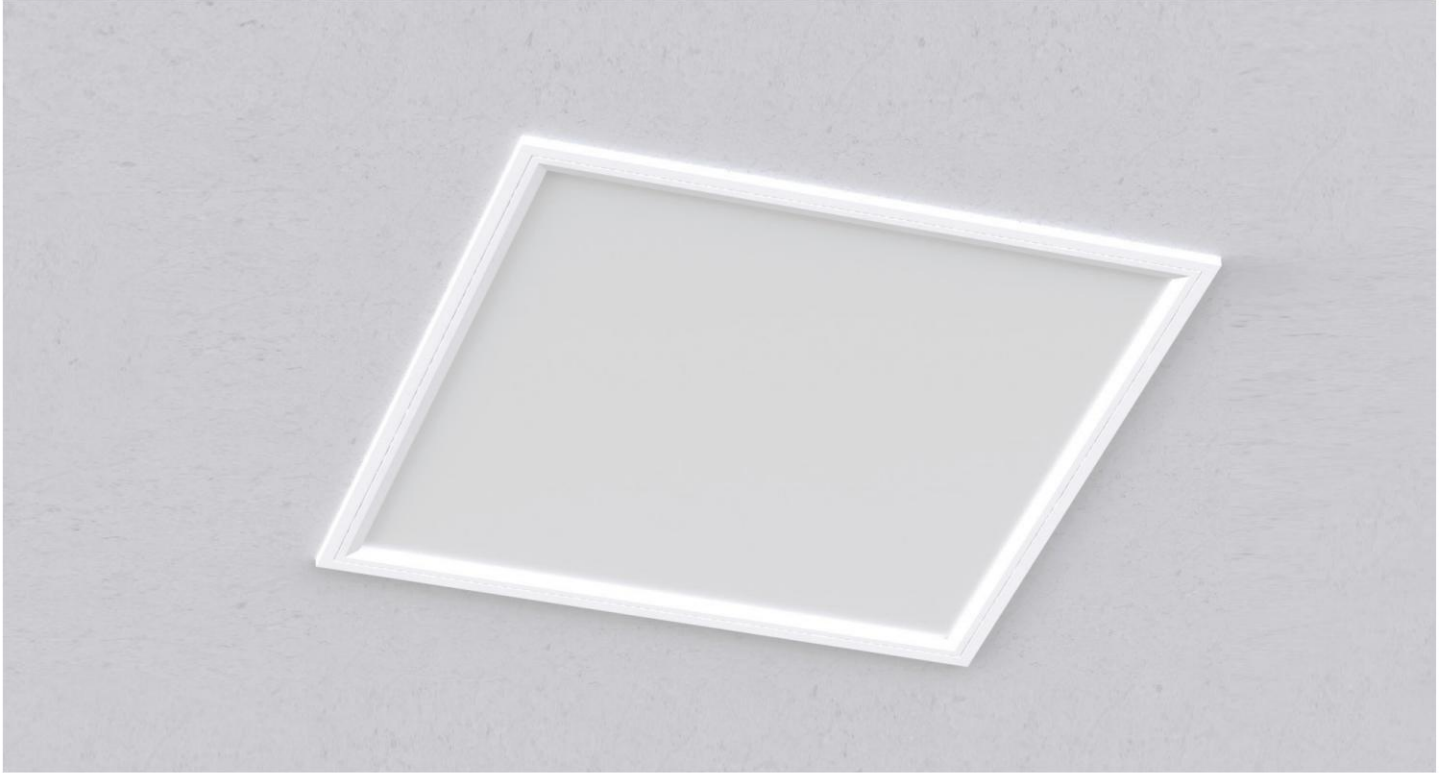


CE			

- Suspension brackets from galvanized steel thickness 1,5mm, necessary for the installation in plasterboard.
- 15 BS min.18mm, max. 45mm
- 15 ZH min.45mm, max. 72mm

Code	Description
303001	15 BS (4 pieces)
303005	15 ZH (4 pieces)



**SLICE**

The SLICE recessed-mounted luminaire with its opal cover provides perfect lighting comfort and glare-free lighting. The luminaire unit impresses with its design and unique uniform.

**Technical Features**

- Recessed luminaire for panels in mineral fibre with exposed structure or plasterboard ceiling 600x600mm.
- Steel body painted electrostatically.
- High efficient satin PMMA cover.
- Last generation high efficient LED CHIP.
- Pure light without IR/UV radiation.
- Operation life: 50,000 hours with efficiency > 70% of the initial luminous flux.
- Connection for operation on 230V-50/60Hz with electronic ballast.

**Upon Request**

- Connection for operation on 230V-50/60Hz with dimmer dali or 1-10VDC ballast.

SLICE

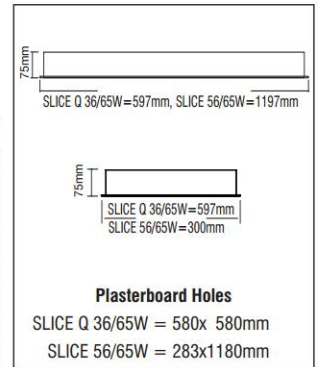
SLICE



CE	F	⊕	IP 20
LED	SLICE Q LED 36W/65W	ta 25°C	Included

- Version for LED CHIP.
- High efficient satin PMMA cover.
- Suspension brackets not included.

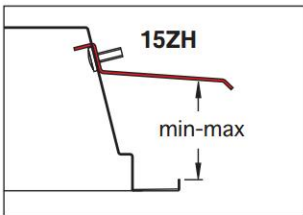
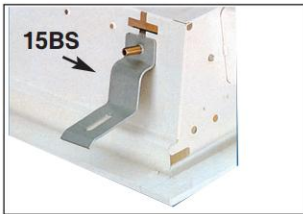
Code	Description
36301	Slice Q Led 36W 5000 lm Neutral
36302	Slice Q Led 36W 5000 lm Warm
36303	Slice Q Led 65W 8750 lm Neutral
36304	Slice Q Led 65W 8750 lm Warm
36305	Slice Led 56W 6200 lm Neutral
36306	Slice Led 56W 6200 lm Warm
36307	Slice Led 65W 8800 lm Neutral
36308	Slice Led 65W 8800 lm Warm



Colour Codes:

- 0 Colours 1 White 2 Titan

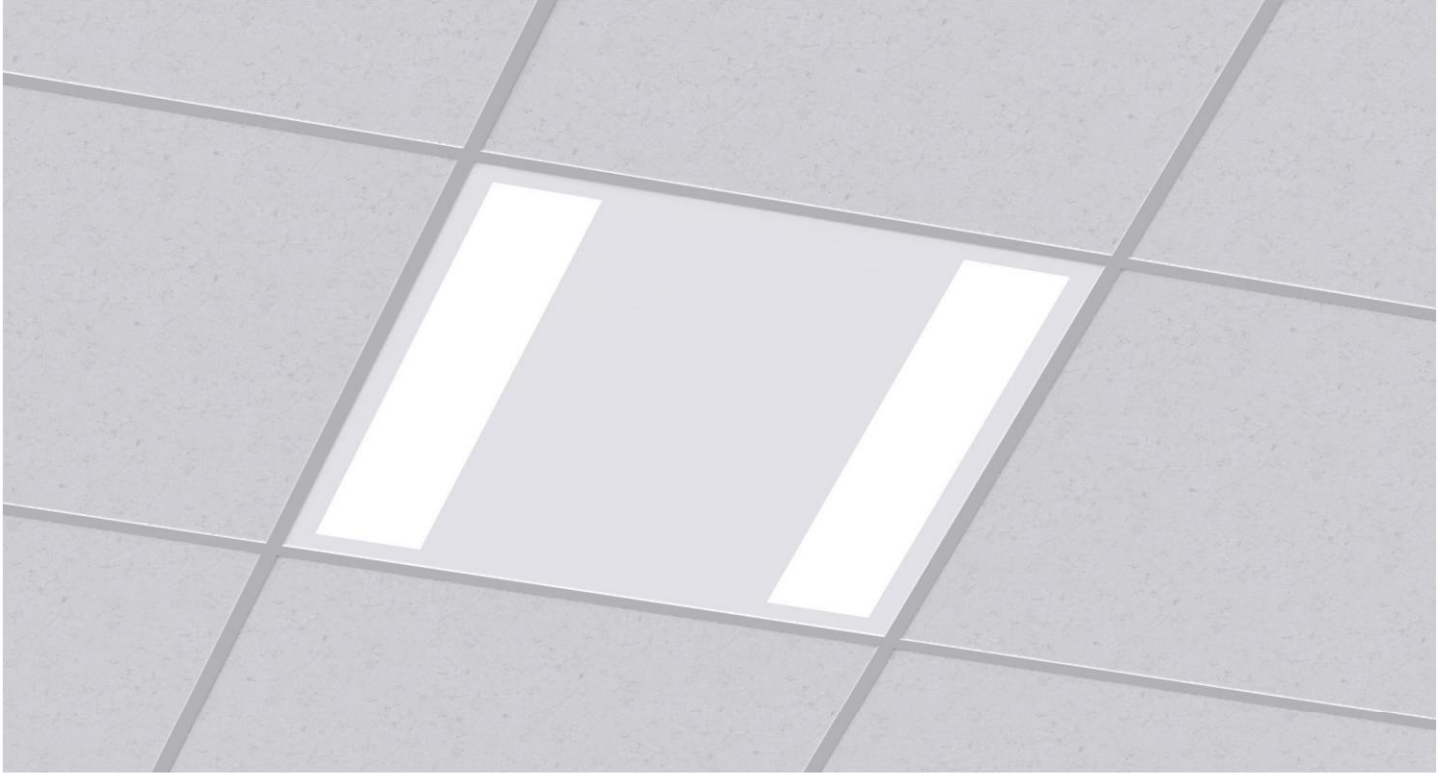
ACCESSORIES - SUSPENSION BRACKETS



CE			

- Suspension brackets from galvanized steel thickness 1,5mm, necessary for the installation in plasterboard.
- **15 BS** min.18mm, max. 45mm
- **15 ZH** min.45mm, max. 72mm

Code	Description
303001	15 BS (4 pieces)
303005	15 ZH (4 pieces)

**FOGLIO**

The FOGLIO recessed-mounted luminaire with its opal cover provides perfect lighting comfort and glare-free lighting. The luminaire unit impresses with its design and unique uniform.

**Technical Features**

- Recessed luminaire for panels in mineral fibre with exposed structure 600x600mm & 300x1200mm.
- Steel body painted electrostatically.
- High efficient satin PMMA cover.
- Last generation high efficient LED CHIP.
- Pure light without IR/UV radiation.
- Operation life: 50,000 hours with efficiency > 70% of the initial luminous flux.
- Connection for operation on 230V-50/60Hz with electronic ballast.

**Upon Request**

- Connection for operation on 230V-50/60Hz with dimmer dali or 1-10VDC ballast.
- Connection for emergency lighting system, for one or three hours.

FOGLIO

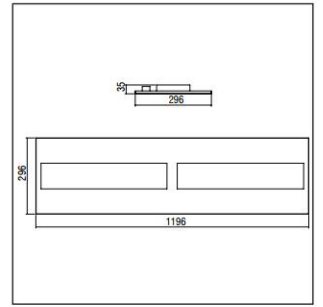
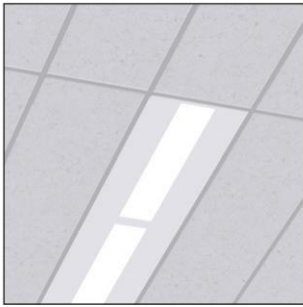
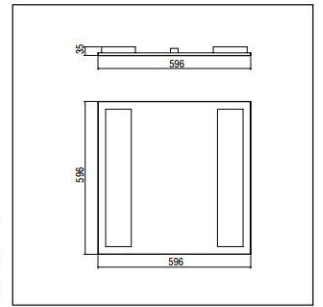
FOGLIO



CE	F	⊕	IP 20
LED	LED CHIP	ta 25°C	Included

- Version for LED CHIP.
- High efficient satin PMMA cover.

Code	Description
36401	Foglio Q Led 28W 3100 lm Neutral
36402	Foglio Led 28W 3100 lm Neutral



Colour Codes:

- 0 Colours 1 White 2 Titan



**SOFT LIGHT L 610**

A recessed 600x600mm luminaire with special geometrical structure. The combination of the reflective recuperator and the micro-perforated lamp cover gives a direct-indirect light distribution, suitable for areas where soft, mostly indirect, illumination is required.

**Technical Features**

- Recessed luminaire for panels in mineral fibre with expose structure or plasterboard ceiling 600x600mm.
- Steel body painted electrostatically.
- Steel parabolic recuperator with high reflectivity in white colour.
- Micro-perforated reflector from steel, painted in white colour, covered with reflection film.
- Connection for operation on 230V-50/60Hz with electronic ballast.

**Upon Request**

- Connection for operation on 230V-50/60Hz with dimmer dali or 1-10VDC ballast.
- Connection for emergency lighting system.

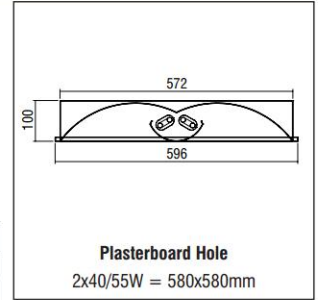
**SOFT LIGHT L 610**

**SOFT LIGHT L 610**



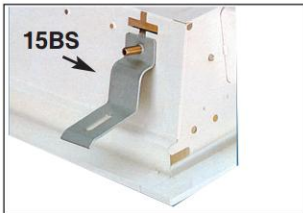
CE	F	⊕	IP 20
TC-L			
2611			
		Included	

- Version for TC-L/2G11.
- Steel parabolic recuperator with high reflectivity in white colour.
- Micro-perforated reflector from steel, painted in white colour covered with reflection film.
- Suspension brackets not included.



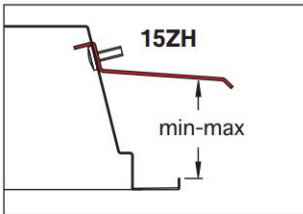
Code	Description
351493	Soft Light L 612x40W
351523	Soft Light L 612x55W

**ACCESSORIES - SUSPENSION BRACKETS**



CE			

- Suspension brackets from galvanized steel thickness 1,5mm, necessary for the installation in plasterboard.
- **15 BS** min.18mm, max. 45mm
- **15 ZH** min.45mm, max. 72mm



Code	Description
303001	15 BS (4 pieces)
303005	15 ZH (4 pieces)





**SOFT LIGHT L 620**

A recessed 600x600mm luminaire with special geometrical structure. The indirect light distribution makes it suitable for areas where soft light is required, like waiting rooms, transit areas and halls.

**Technical Features**

- Recessed luminaire for panels in mineral fibre with expose structure or plasterboard ceiling 600x600mm.
- Steel body painted electrostatically.
- Steel parabolic recuperator with high reflectivity in white colour.
- Steel reflector in white colour.
- Connection for operation on 230V-50/60Hz with electronic ballast.

**Upon Request**

- Connection for operation on 230V-50/60Hz with dimmer dali or 1-10VDC ballast.
- Connection for emergency lighting system.

SOFT LIGHT L 620

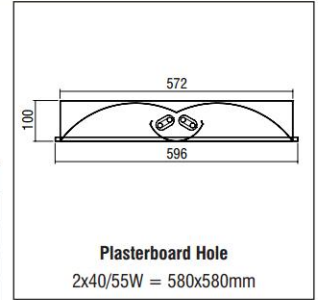
SOFT LIGHT L 620



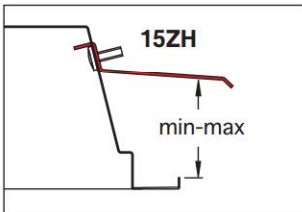
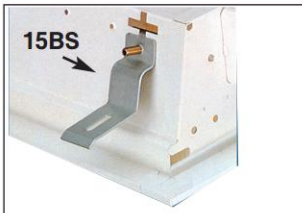
CE	F	⊕	IP 20
TCL			
2611			
		Included	

- Version for TC-L/2G11.
- Steel parabolic recuperator with high reflectivity in white colour.
- Steel reflector in white colour.
- Suspension brackets not included.

Code	Description
352483	Soft Light L 621x40W
352533	Soft Light L 621x55W
352493	Soft Light L 622x40W
352523	Soft Light L 622x55W



ACCESSORIES - SUSPENSION BRACKETS

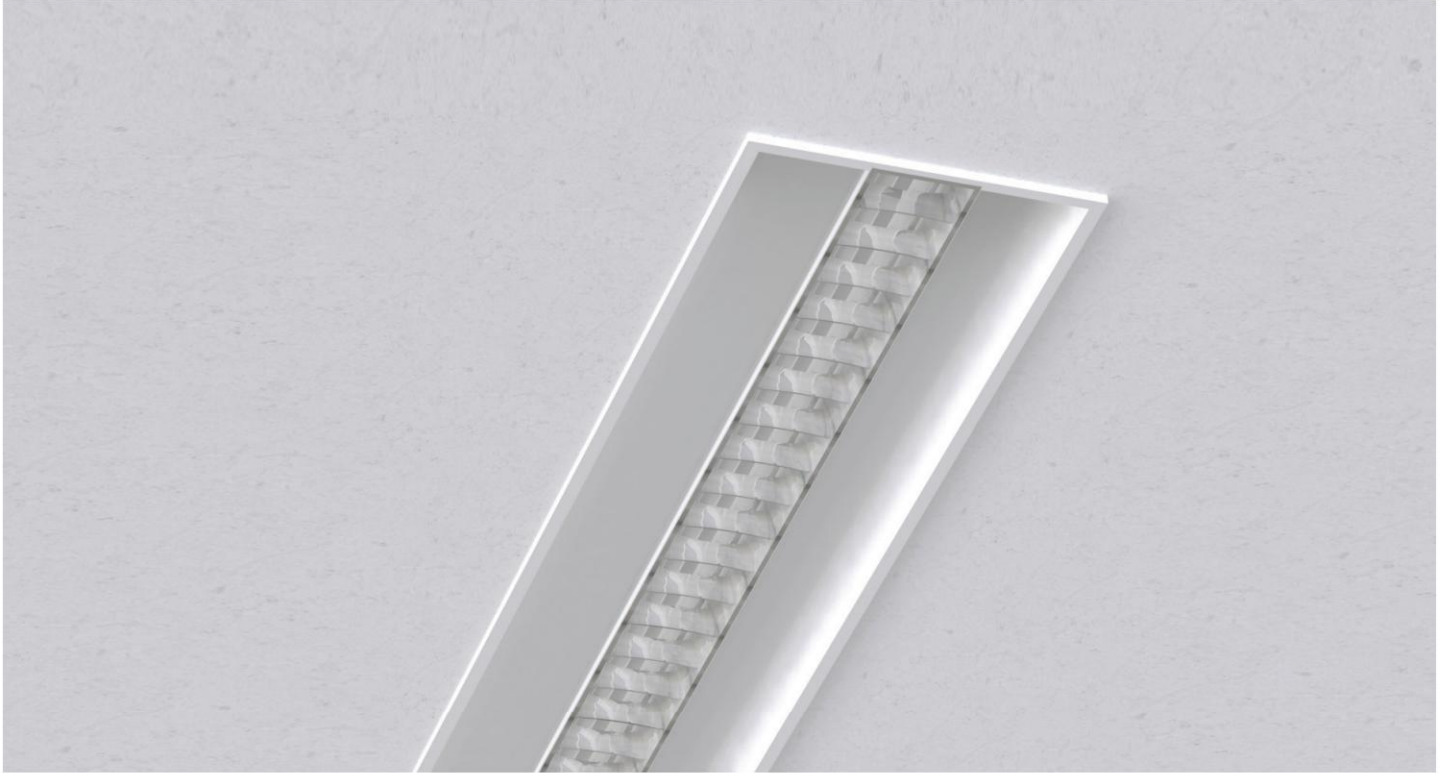


CE			

- Suspension brackets from galvanized steel thickness 1,5mm, necessary for the installation in plasterboard.
- **15 BS** min.18mm, max. 45mm
- **15 ZH** min.45mm, max. 72mm

Code	Description
303001	15 BS (4 pieces)
303005	15 ZH (4 pieces)



**SOFT LIGHT L 630**

This professional recessed luminaire meets the increasingly exacting requirements placed on workplace lighting. It combines perfect direct/indirect light distribution with modern styling and high light output ratios.

**Technical Features**

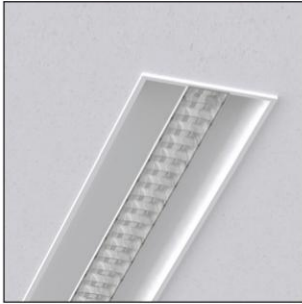
- Recessed luminaire for panels in mineral fibre with expose structure or plasterboard ceiling 1200x600mm.
- Steel body painted electrostatically.
- Parabolic louvre from anodized non iridescent specular aluminium.
- Steel parabolic recuperator with high reflectivity in white colour.
- Connection for operation on 230V-50/60Hz with electronic ballast.

**Upon Request**

- Connection for operation on 230V-50/60Hz with dimmer dali or 1-10VDC ballast.
- Connection for emergency lighting system.

SOFT LIGHT L 630

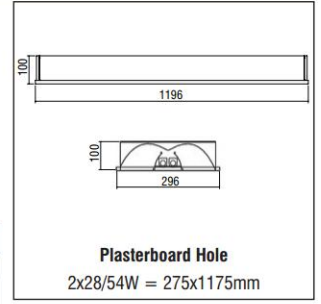
SOFT LIGHT L 630



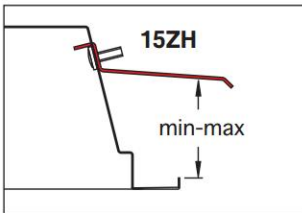
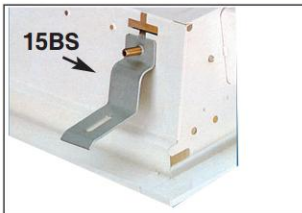
CE	F	⊕	IP 20
T16			
65			
		Included	

- Version for T16/G5.
- Parabolic louvre from anodized non iridescent specular aluminium.
- Steel parabolic recuperator with high reflectivity in white colour.
- Suspension brackets not included.

Code	Description
353243	Soft Light L 632x28W
353363	Soft Light L 632x54W



ACCESSORIES - SUSPENSION BRACKETS

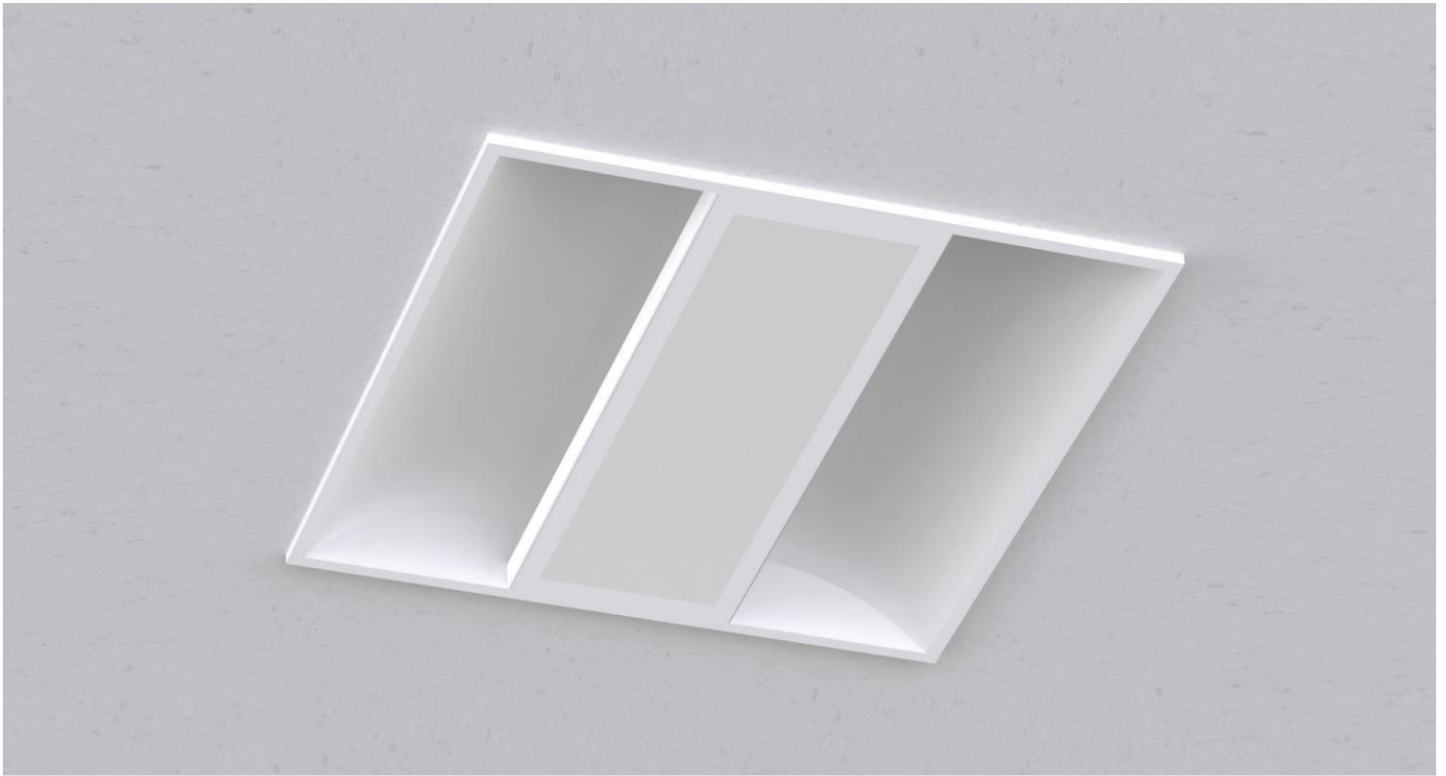


CE			

- Suspension brackets from galvanized steel thickness 1,5mm, necessary for the installation in plasterboard.
- **15 BS** min.18mm, max. 45mm
- **15 ZH** min.45mm, max. 72mm

Code	Description
303001	15 BS (4 pieces)
303005	15 ZH (4 pieces)



**SOFT LIGHT L 660**

A recessed 600x600mm luminaire with unique architectural identity. The opal glare-free lamp cover and the direct-indirect light distribution make L660 suitable for offices, waiting rooms, transit areas and halls.

**Technical Features**

- Recessed luminaire for panels in mineral fibre with expose structure or plasterboard ceiling 600x600mm.
- Steel body painted electrostatically.
- Steel parabolic recuperator with high reflectivity in white colour.
- Lamps cover from opal methacrylate.
- Connection for operation on 230V-50/60Hz with electronic ballast.

**Upon Request**

- Connection for operation on 230V-50/60Hz with dimmer dali or 1-10VDC ballast.
- Connection for emergency lighting system.

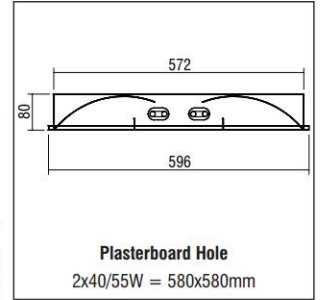
SOFT LIGHT L 660

SOFT LIGHT L 660



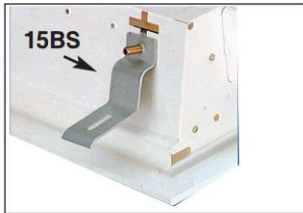
CE	F	⊕	IP 20
TCL			
2611			
		Included	

- Version for TC-L/2G11.
- Steel parabolic recuperator with high reflectivity in white colour.
- Lamps cover from opal methacrylate.
- Suspension brackets not included.



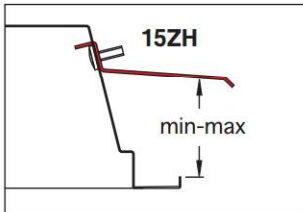
Code	Description
357493	Soft Light L 662x40W
357523	Soft Light L 662x55W

ACCESSORIES - SUSPENSION BRACKETS



CE			

- Suspension brackets from galvanized steel thickness 1,5mm, necessary for the installation in plasterboard.
- **15 BS** min.18mm, max. 45mm
- **15 ZH** min.45mm, max. 72mm



Code	Description
303001	15 BS (4 pieces)
303005	15 ZH (4 pieces)



**SOFT LIGHT L 670**

A recessed 600x600mm luminaire with special geometrical structure. The combination of the parabolic louvre and the micro-perforated reflector gives a direct-indirect light distribution, suitable for environments where diffuse and soft light is required for optimal visual comfort.

**Technical Features**

- Recessed luminaire for panels in mineral fibre with expose structure or plasterboard ceiling 600x600mm.
- Steel body painted electrostatically.
- Steel parabolic recuperator with high reflectivity in white colour.
- Micro-perforated reflector, from steel, painted in white colour, covered with reflection film.
- Parabolic louvre from specular aluminium.
- Connection for operation on 230V-50/60Hz with electronic ballast.

**Upon Request**

- Connection for operation on 230V-50/60Hz with dimmer dali or 1-10VDC ballast.
- Connection for emergency lighting system.

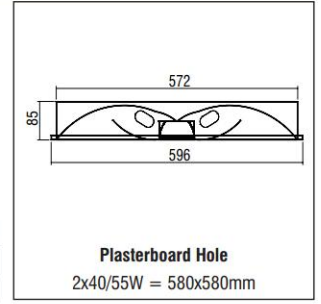
SOFT LIGHT L 670

SOFT LIGHT L 670



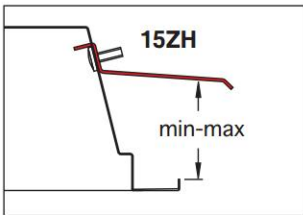
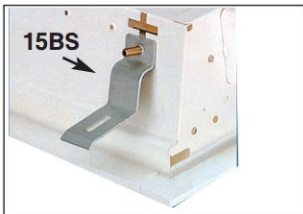
CE	F	⊕	IP 20
TC-L			
2611			
		Included	

- Version for TC-L/2G11.
- Steel parabolic recuperator with high reflectivity in white colour.
- Micro-perforated reflector.
- Parabolic louvre.
- Suspension brackets not included.



Code	Description
354493	Soft Light L 672x40W
354523	Soft Light L 672x55W

ACCESSORIES - SUSPENSION BRACKETS



CE			

- Suspension brackets from galvanized steel thickness 1,5mm, necessary for the installation in plasterboard.
- **15 BS** min.18mm, max. 45mm
- **15 ZH** min.45mm, max. 72mm

Code	Description
303001	15 BS (4 pieces)
303005	15 ZH (4 pieces)





**SOFT LIGHT L 680**

A recessed 600x600mm luminaire with unique architectural identity. Due to the combination of the reflective recuperator and the micro-perforated reflector it is suitable for areas where soft, mostly indirect, illumination is required.

**Technical Features**

- Recessed luminaire for panels in mineral fibre with expose structure or plasterboard ceiling 600x600mm.
- Steel body painted electrostatically.
- Steel parabolic recuperator with high reflectivity in white colour.
- Micro-perforated reflector, from steel, painted in white colour, covered with reflection film.
- Connection for operation on 230V-50/60Hz with electronic ballast.

**Upon Request**

- Connection for operation on 230V-50/60Hz with dimmer dali or 1-10VDC ballast.
- Connection for emergency lighting system.

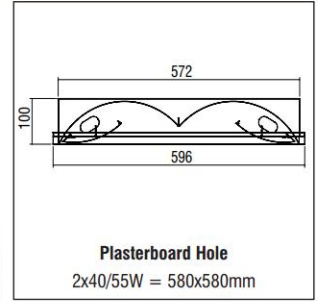
**SOFT LIGHT L 680**

**SOFT LIGHT L 680**



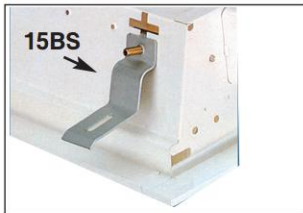
CE	F	⊕	IP 20
TC-L			
2611			
		Included	

- Version for TC-L/2G11.
- Steel parabolic recuperator with high reflectivity in white colour.
- Micro-perforated reflector.
- Suspension brackets not included.



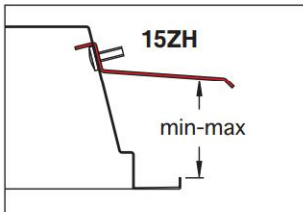
Code	Description
356493	Soft Light L 682x40W
356523	Soft Light L 682x55W

**ACCESSORIES - SUSPENSION BRACKETS**



CE			

- Suspension brackets from galvanized steel thickness 1,5mm, necessary for the installation in plasterboard.
- **15 BS** min.18mm, max. 45mm
- **15 ZH** min.45mm, max. 72mm



Code	Description
303001	15 BS (4 pieces)
303005	15 ZH (4 pieces)



WW



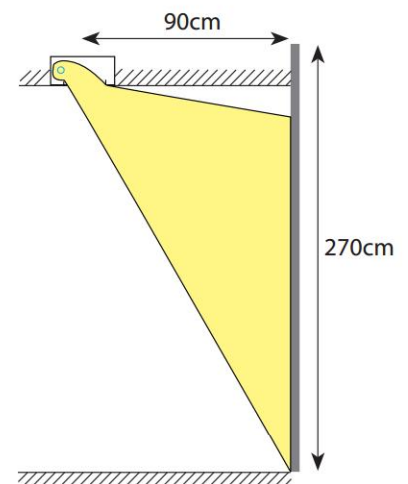
This recessed wallwasher luminaire performs its function: the uniform illumination of vertical surfaces, while being in compliance with all lighting requirements.

### Technical Features

- Recessed luminaire for panels in mineral fibre with expose structure or plasterboard ceiling 600x600mm.
- Steel body painted electrostatically.
- Wallwasher recuperator from anodized matt aluminium, for uniform vertical illumination of walls, panels, selves, blackboards and exhibition cases.
- Connection for operation on 230V-50/60Hz with electronic ballast.

#### Upon Request

- Connection for operation on 230V-50/60Hz with dimmer dali or 1-10VDC ballast.
- Connection for emergency lighting system.



WW

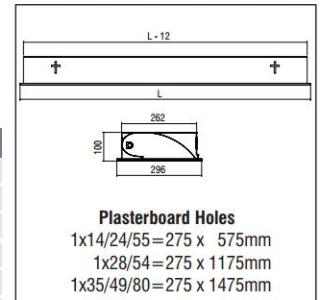
WW



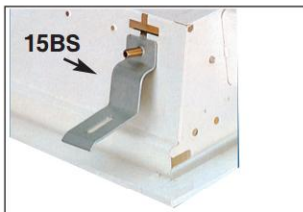
CE	F	⊕	IP 20
T16	TC-L		
G5	2611		
		Included	

- Version for T16/G5, TC-L/2G11.
- Wallwasher recuperator from anodized matt aluminium.
- Suspension brackets not included.

Code	Description
371173	WW 1x14W
371273	WW 1x24W
371513	WW 1x55W
371233	WW 1x28W
371353	WW 1x54W
371253	WW 1x35W
371333	WW 1x49W
371393	WW 1x80W

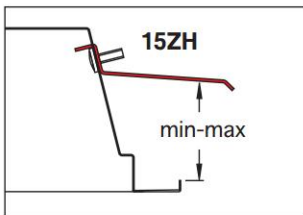


## ACCESSORIES - SUSPENSION BRACKETS



CE			
----	--	--	--

- Suspension brackets from galvanized steel thickness 1,5mm, necessary for the installation in plasterboard.
- **15 BS** min.18mm, max. 45mm
- **15 ZH** min.45mm, max. 72mm



Code	Description
303001	15 BS (4 pieces)
303005	15 ZH (4 pieces)

WW

