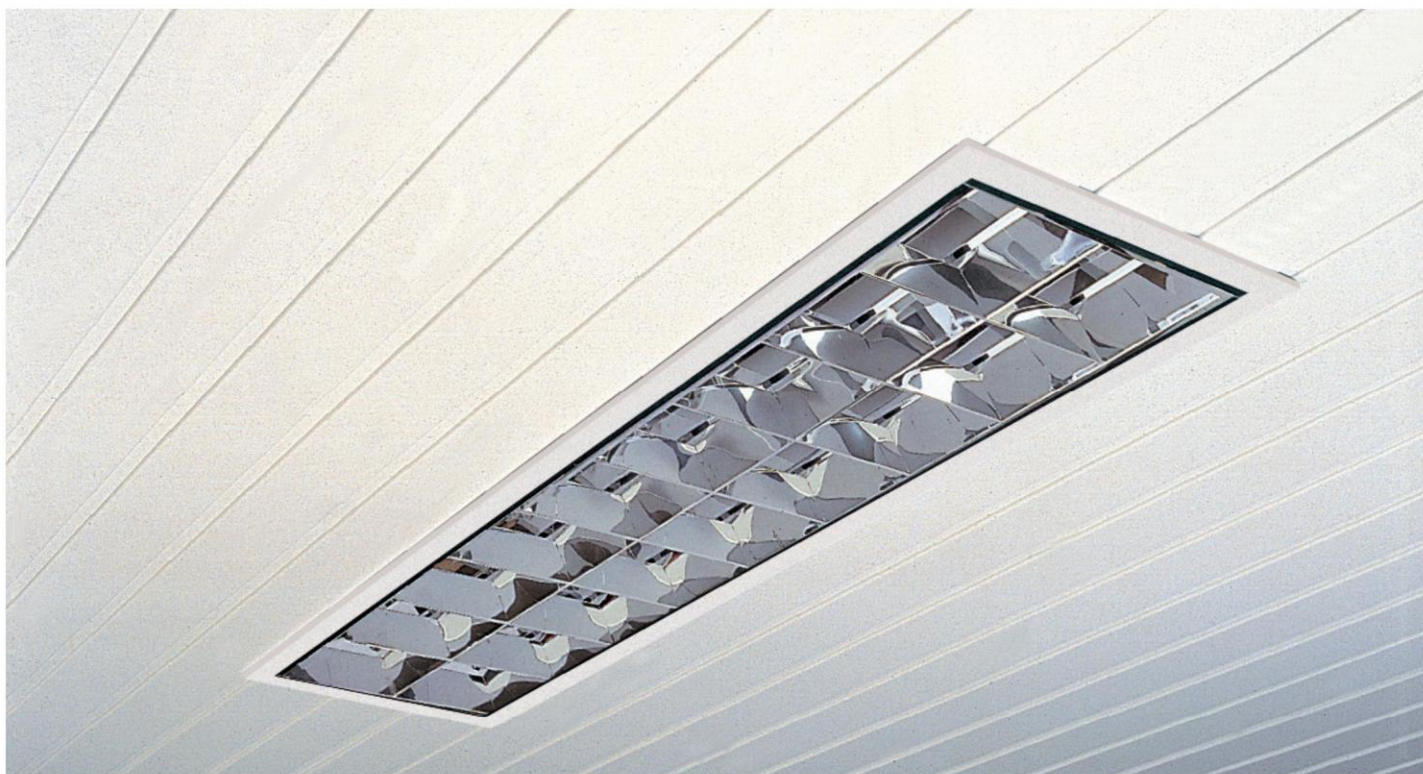
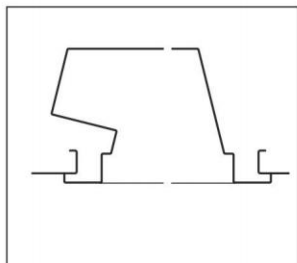


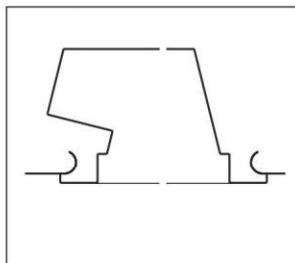
L 550 - 560



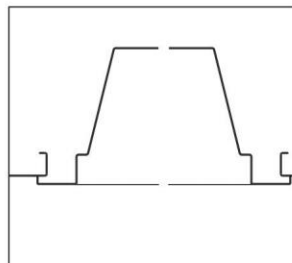
Recessed luminaires in **staves pitch width** 100, 150, 200, 300mm, or **plasterboard** ceiling.



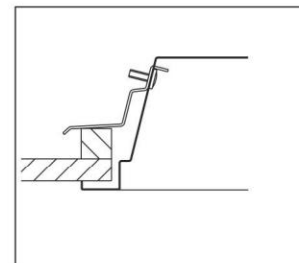
Staves pitch with width 100-200mm, luminaires LP 560.
Fixing brackets item 15 DP, 15 GF.



Staves pitch with width 100mm, luminaires LP 560.
Fixing brackets item 15 DP, 15 GF.



Staves pitch with width 100-150-300mm, luminaires LP 550.
Fixing brackets item 15 DP, 15 GF.



Plasterboard ceiling.
Fixing bracket item 15BS.

Technical Features

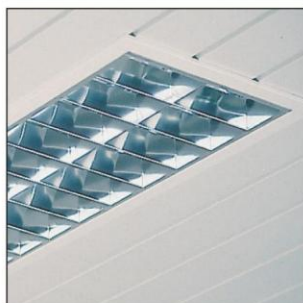
- Luminaires for fluorescent lamps T26, T16 and compact TC-S (G23), TC-SEL (2G7), TC-D (G24d), TC-DEL (G24q), TC-L (2G11).
- Steel body, electrostatically painted in white color.
- At the luminaires LP 562, the louvers do not have longitudinal central element V.
- Connection for operation on 230V-50Hz with conventional ballast and power factor correction capacitor (lamps T26, TC-S, TC-D, TC-L).
- Connection for operation with electronic ballast (lamps T26, T16, TC-SEL, TC-L, TC-DEL).
- Connection for operation with electronic dimmable ballast (lamps T26, T16, TC-SEL, TC-L, TC-DEL).
- Connection for emergency lighting system (lamps T26, T16, TC-SEL, TC-L, TC-DEL).

Upon request

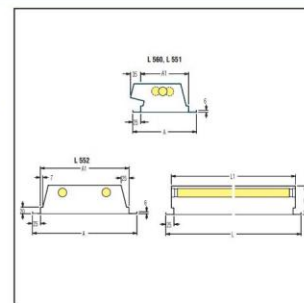
- Frame (flange) in various colours (RAL).

L 550 - 560

L 550 - 560 LP2M



- Louvre 2M with transverse parabolic louvers and double parabolic longitudinal elements (reflectors), from anodized non iridescent specular aluminium.
- 2M louvre of the luminaires LP 551, LP 552 & LP 561 have illuminance <math><200\text{cd/m}^2</math> for radial angles >65°, while those of the luminaire LP 562 have illuminance <math><1000\text{cd/m}^2</math> for radial angles >65°.



Description	Staves pitch width	Dimensions						Conventional Ballast and capacitor		Electronic Ballast	
		A	L	H	A1	L1	Code		Code		
LP2M 551x18W T26	150	196	647	95	148	613	331012		331013		
LP2M 551x36W T26	150	196	1256	95	148	1222	331112		331113		
LP2M 551x58W T26	150	196	1556	95	148	1522	331152		331153		
LP2M 552x18W T26	100, 150, 300	321	647	95	273	613	331022		331023		
LP2M 552x36W T26	100, 150, 300	321	1256	95	273	1222	331122		331123		
LP2M 552x58W T26	100, 150, 300	321	1556	95	273	1522	331162		331163		
LP2M 561x18W T26	100, 200	238	647	95	190	613	341012		341013		
LP2M 561x36W T26	100, 200	238	1256	95	190	1222	341112		341113		
LP2M 561x58W T26	100, 200	238	1556	95	190	1522	341152		341153		
LP2M 562x18W T26	100, 200	238	647	95	190	613	341022		341023		
LP2M 562x36W T26	100, 200	238	1256	95	190	1222	341122		341123		
LP2M 562x58W T26	100, 200	238	1556	95	190	1522	341162		341163		
LP2M 551x13/14W T16	150	196	647	95	148	613			331173		
LP2M 551x20/24W T16	150	196	647	95	148	613			331273		
LP2M 551x25/28W T16	150	196	1256	95	148	1222			331233		
LP2M 551x50/54W T16	150	196	1256	95	148	1222			331353		
LP2M 551x32/35W T16	150	196	1556	95	148	1522			331253		
LP2M 551x45/49W T16	150	196	1556	95	148	1522			331333		
LP2M 552x13/14W T16	100, 150, 300	321	647	95	273	613			331183		
LP2M 552x20/24W T16	100, 150, 300	321	647	95	273	613			331283		
LP2M 552x25/28W T16	100, 150, 300	321	1256	95	273	1222			331243		
LP2M 552x50/54W T16	100, 150, 300	321	1256	95	273	1222			331363		
LP2M 552x32/35W T16	100, 150, 300	321	1556	95	273	1522			331263		
LP2M 552x45/49W T16	100, 150, 300	321	1556	95	273	1522			331343		
LP2M 552x73/80W T16	100, 150, 300	321	1556	95	273	1522			331403		
LP2M 561x13/14W T16	100, 200	238	647	95	190	613			341173		
LP2M 561x20/24W T16	100, 200	238	647	95	190	613			341273		
LP2M 561x25/28W T16	100, 200	238	1256	95	190	1222			341233		
LP2M 561x50/54W T16	100, 200	238	1256	95	190	1222			341353		
LP2M 561x32/35W T16	100, 200	238	1556	95	190	1522			341253		
LP2M 561x45/49W T16	100, 200	238	1556	95	190	1522			341333		
LP2M 561x73/80W T16	100, 200	238	1556	95	190	1522			341393		
LP2M 562x13/14W T16	100, 200	238	647	95	190	613			341183		
LP2M 562x20/24W T16	100, 200	238	647	95	190	613			341283		
LP2M 562x25/28W T16	100, 200	238	1256	95	190	1222			341243		
LP2M 562x50/54W T16	100, 200	238	1256	95	190	1222			341363		
LP2M 562x32/35W T16	100, 200	238	1556	95	190	1522			341263		
LP2M 562x45/49W T16	100, 200	238	1556	95	190	1522			341343		
LP2M 552x11W TC-S/TC-SEL	100, 150, 300	321	321	95	273	273	331782				
LP2M 552x18W TC-L	100, 150, 300	321	321	95	273	273	331422		331423		
LP2M 552x26W TC-D /TC-DEL	100, 150, 300	321	321	95	273	273	331662		331663		
LP2M 552x36W TC-L	100, 150, 300	321	518	95	273	484	331462		331463		

Number of the luminaire's lamps: the third digit of the first number (at the description) corresponds to the number of lamps eg 551x18W = 1x18W.

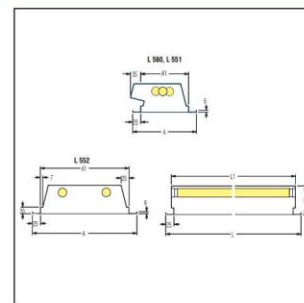
Note: For installing of the luminaires in plasterboard the hole dimension is represented by A1 x L1.

L 550 - 560

L 550 - 560 LP2S



- Louvre 2S with transverse parabolic louvers and double parabolic longitudinal elements (reflectors), from anodized non iridescent semi-glossy aluminium (non-reflecting).
- 2S louvre of the luminaires LP 551, LP 552 & LP 561 have illuminance <math>< 200\text{cd/m}^2</math> for radial angles >65°, while those of the luminaire LP 562 have illuminance <math>< 1000\text{cd/m}^2</math> for radial angles >65°.



Description	Staves pitch width	Dimensions					Conventional Ballast and capacitor		Electronic Ballast	
		A	L	H	A1	L1	Code		Code	
LP2S 551x18W T26	150	196	647	95	148	613	332012		332013	
LP2S 551x36W T26	150	196	1256	95	148	1222	332112		332113	
LP2S 551x58W T26	150	196	1556	95	148	1522	332152		332153	
LP2S 552x18W T26	100, 150, 300	321	647	95	273	613	332022		332023	
LP2S 552x36W T26	100, 150, 300	321	1256	95	273	1222	332122		332123	
LP2S 552x58W T26	100, 150, 300	321	1556	95	273	1522	332162		332163	
LP2S 561x18W T26	100, 200	238	647	95	190	613	342012		342013	
LP2S 561x36W T26	100, 200	238	1256	95	190	1222	342112		342113	
LP2S 561x58W T26	100, 200	238	1556	95	190	1522	342152		342153	
LP2S 562x18W T26	100, 200	238	647	95	190	613	342022		342023	
LP2S 562x36W T26	100, 200	238	1256	95	190	1222	342122		342123	
LP2S 562x58W T26	100, 200	238	1556	95	190	1522	342162		342163	
LP2S 551x13/14W T16	150	196	647	95	148	613			332173	
LP2S 551x20/24W T16	150	196	647	95	148	613			332273	
LP2S 551x25/28W T16	150	196	1256	95	148	1222			332233	
LP2S 551x50/54W T16	150	196	1256	95	148	1222			332353	
LP2S 551x32/35W T16	150	196	1556	95	148	1522			332253	
LP2S 551x45/49W T16	150	196	1556	95	148	1522			332333	
LP2S 552x13/14W T16	100, 150, 300	321	647	95	273	613			332183	
LP2S 552x20/24W T16	100, 150, 300	321	647	95	273	613			332283	
LP2S 552x25/28W T16	100, 150, 300	321	1256	95	273	1222			332243	
LP2S 552x50/54W T16	100, 150, 300	321	1256	95	273	1222			332363	
LP2S 552x32/35W T16	100, 150, 300	321	1556	95	273	1522			332263	
LP2S 552x45/49W T16	100, 150, 300	321	1556	95	273	1522			332343	
LP2S 552x73/80W T16	100, 150, 300	321	1556	95	273	1522			332403	
LP2S 561x13/14W T16	100, 200	238	647	95	190	613			342173	
LP2S 561x20/24W T16	100, 200	238	647	95	190	613			342273	
LP2S 561x25/28W T16	100, 200	238	1256	95	190	1222			342233	
LP2S 561x50/54W T16	100, 200	238	1256	95	190	1222			342353	
LP2S 561x32/35W T16	100, 200	238	1556	95	190	1522			342253	
LP2S 561x45/49W T16	100, 200	238	1556	95	190	1522			342333	
LP2S 561x73/80W T16	100, 200	238	1556	95	190	1522			342393	
LP2S 562x13/14W T16	100, 200	238	647	95	190	613			342183	
LP2S 562x20/24W T16	100, 200	238	647	95	190	613			342283	
LP2S 562x25/28W T16	100, 200	238	1256	95	190	1222			342243	
LP2S 562x50/54W T16	100, 200	238	1256	95	190	1222			342363	
LP2S 562x32/35W T16	100, 200	238	1556	95	190	1522			342263	
LP2S 562x45/49W T16	100, 200	238	1556	95	190	1522			342343	
LP2S 552x11W TC-S/TC-SEL	100, 150, 300	321	321	95	273	273	332782			
LP2S 552x18W TC-L	100, 150, 300	321	321	95	273	273	332422		332423	
LP2S 552x26W TC-D/TC-DEL	100, 150, 300	321	321	95	273	273	332662		332663	
LP2S 552x36W TC-L	100, 150, 300	321	518	95	273	484	332462		332463	

Number of the luminaire's lamps: the third digit of the first number (at the description) corresponds to the number of lamps eg 551x18W = 1x18W.

Note: For installing of the luminaires in plasterboard the hole dimension is represented by A1 x L1.

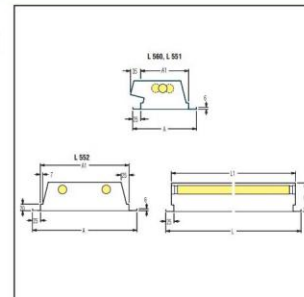
RECESSED LUMINAIRES - PROFESSIONAL

L 550 - 560

L 550 - 560 LP3M



- Louvres 3M with transverse parabolic louvers and double parabolic longitudinal elements (reflectors), with square cell section from anodized non iridescent specular aluminium.



Description	Staves pitch width	Dimensions					Conventional Ballast and capacitor Code	Electronic Ballast Code
		A	L	H	A1	L1		
LP3M 551x18W T26	150	196	647	95	148	613	333012	333013
LP3M 551x36W T26	150	196	1256	95	148	1222	333112	333113
LP3M 551x58W T26	150	196	1556	95	148	1522	333152	333153
LP3M 552x18W T26	100, 150, 300	321	647	95	273	613	333022	333023
LP3M 552x36W T26	100, 150, 300	321	1256	95	273	1222	333122	333123
LP3M 552x58W T26	100, 150, 300	321	1556	95	273	1522	333162	333163
LP3M 561x18W T26	100, 200	238	647	95	190	613	343012	343013
LP3M 561x36W T26	100, 200	238	1256	95	190	1222	343112	343113
LP3M 561x58W T26	100, 200	238	1556	95	190	1522	343152	343153
LP3M 562x18W T26	100, 200	238	647	95	190	613	343022	343023
LP3M 562x36W T26	100, 200	238	1256	95	190	1222	343122	343123
LP3M 562x58W T26	100, 200	238	1556	95	190	1522	343162	343163
LP3M 551x13/14W T16	150	196	647	95	148	613		333173
LP3M 551x20/24W T16	150	196	647	95	148	613		333273
LP3M 551x25/28W T16	150	196	1256	95	148	1222		333233
LP3M 551x50/54W T16	150	196	1256	95	148	1222		333353
LP3M 551x32/35W T16	150	196	1556	95	148	1522		333253
LP3M 551x45/49W T16	150	196	1556	95	148	1522		333333
LP3M 552x13/14W T16	100, 150, 300	321	647	95	273	613		333183
LP3M 552x20/24W T16	100, 150, 300	321	647	95	273	613		333283
LP3M 552x25/28W T16	100, 150, 300	321	1256	95	273	1222		333243
LP3M 552x50/54W T16	100, 150, 300	321	1256	95	273	1222		333363
LP3M 552x32/35W T16	100, 150, 300	321	1556	95	273	1522		333263
LP3M 552x45/49W T16	100, 150, 300	321	1556	95	273	1522		333343
LP3M 552x73/80W T16	100, 150, 300	321	1556	95	273	1522		333403
LP3M 561x13/14W T16	100, 200	238	647	95	190	613		343173
LP3M 561x20/24W T16	100, 200	238	647	95	190	613		343273
LP3M 561x25/28W T16	100, 200	238	1256	95	190	1222		343233
LP3M 561x50/54W T16	100, 200	238	1256	95	190	1222		343353
LP3M 561x32/35W T16	100, 200	238	1556	95	190	1522		343253
LP3M 561x45/49W T16	100, 200	238	1556	95	190	1522		343333
LP3M 561x73/80W T16	100, 200	238	1556	95	190	1522		343393
LP3M 562x13/14W T16	100, 200	238	647	95	190	613		343183
LP3M 562x20/24W T16	100, 200	238	647	95	190	613		343283
LP3M 562x25/28W T16	100, 200	238	1256	95	190	1222		343243
LP3M 562x50/54W T16	100, 200	238	1256	95	190	1222		343363
LP3M 562x32/35W T16	100, 200	238	1556	95	190	1522		343263
LP3M 562x45/49W T16	100, 200	238	1556	95	190	1522		343343
LP3M 552x11W TC-S/TC-SEL	100, 150, 300	321	321	95	273	273	333782	333783
LP3M 552x18W TC-L	100, 150, 300	321	321	95	273	273	333422	333423
LP3M 552x26W TC-D /TC-DEL	100, 150, 300	321	321	95	273	273	333662	333663
LP3M 552x36W TC-L	100, 150, 300	321	518	95	273	484	333462	333463

Number of the luminaire's lamps: the third digit of the first number (at the description) corresponds to the number of lamps eg 551x18W = 1x18W.

Note: For installing of the luminaires in plasterboard the hole dimension is represented by **A1 x L1**.

L 550 - 560

L 550 - 560 LP3V



CE, F, ENEC, IP 20

T16 / G5, T26, TC-S, TC-SEL

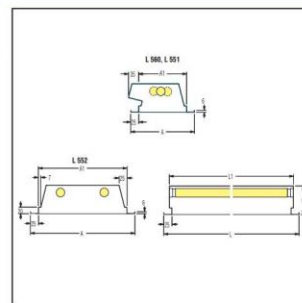
OSRAM: T8 PHILIPS: TL8, OSRAM: T8 PHILIPS: TL-D, OSRAM: DUXLEX 5 PHILIPS: PL-S, OSRAM: DUXLEX DE PHILIPS: PL-GUP

TC-D, TC-DEL, TC-L

OSRAM: DUXLEX D PHILIPS: PL-C, OSRAM: DUXLEX DE PHILIPS: PL-GUP, OSRAM: DUXLEX L PHILIPS: PL-L

E>60%

- Louvre 3V with transverse parabolic louvers and double parabolic longitudinal elements (reflectors), with square cell section in white painted steel.



Description	Staves pitch width	Dimensions					Conventional Ballast and capacitor		Electronic Ballast	
		A	L	H	A1	L1	Code	Code	Code	Code
LP3V 551x18W T26	150	196	647	95	148	613	334012			334013
LP3V 551x36W T26	150	196	1256	95	148	1222	334112			334113
LP3V 551x58W T26	150	196	1556	95	148	1522	334152			334153
LP3V 552x18W T26	100, 150, 300	321	647	95	273	613	334022			334023
LP3V 552x36W T26	100, 150, 300	321	1256	95	273	1222	334122			334123
LP3V 552x58W T26	100, 150, 300	321	1556	95	273	1522	334162			334163
LP3V 561x18W T26	100, 200	238	647	95	190	613	344012			344013
LP3V 561x36W T26	100, 200	238	1256	95	190	1222	344112			344113
LP3V 561x58W T26	100, 200	238	1556	95	190	1522	344152			344153
LP3V 562x18W T26	100, 200	238	647	95	190	613	344022			344023
LP3V 562x36W T26	100, 200	238	1256	95	190	1222	344122			344123
LP3V 562x58W T26	100, 200	238	1556	95	190	1522	344162			344163
LP3V 551x13/14W T16	150	196	647	95	148	613				334173
LP3V 551x20/24W T16	150	196	647	95	148	613				334273
LP3V 551x25/28W T16	150	196	1256	95	148	1222				334233
LP3V 551x50/54W T16	150	196	1256	95	148	1222				334353
LP3V 551x32/35W T16	150	196	1556	95	148	1522				334253
LP3V 551x45/49W T16	150	196	1556	95	148	1522				334333
LP3V 552x13/14W T16	100, 150, 300	321	647	95	273	613				334183
LP3V 552x20/24W T16	100, 150, 300	321	647	95	273	613				334283
LP3V 552x25/28W T16	100, 150, 300	321	1256	95	273	1222				334243
LP3V 552x50/54W T16	100, 150, 300	321	1256	95	273	1222				334363
LP3V 552x32/35W T16	100, 150, 300	321	1556	95	273	1522				334263
LP3V 552x45/49W T16	100, 150, 300	321	1556	95	273	1522				334343
LP3V 552x73/80W T16	100, 150, 300	321	1556	95	273	1522				334403
LP3V 561x13/14W T16	100, 200	238	647	95	190	613				344173
LP3V 561x20/24W T16	100, 200	238	647	95	190	613				344273
LP3V 561x25/28W T16	100, 200	238	1256	95	190	1222				344233
LP3V 561x50/54W T16	100, 200	238	1256	95	190	1222				344353
LP3V 561x32/35W T16	100, 200	238	1556	95	190	1522				344253
LP3V 561x45/49W T16	100, 200	238	1556	95	190	1522				344333
LP3V 561x73/80W T16	100, 200	238	1556	95	190	1522				344393
LP3V 562x13/14W T16	100, 200	238	647	95	190	613				344183
LP3V 562x20/24W T16	100, 200	238	647	95	190	613				344283
LP3V 562x25/28W T16	100, 200	238	1256	95	190	1222				344243
LP3V 562x50/54W T16	100, 200	238	1256	95	190	1222				344363
LP3V 562x32/35W T16	100, 200	238	1556	95	190	1522				344263
LP3V 562x45/49W T16	100, 200	238	1556	95	190	1522				344343
LP3V 552x11W TC-S/TC-SEL	100, 150, 300	321	321	95	273	273	334782			
LP3V 552x18W TC-L	100, 150, 300	321	321	95	273	273	334422			334423
LP3V 552x26W TC-D /TC-DEL	100, 150, 300	321	321	95	273	273	334662			334663
LP3V 552x36W TC-L	100, 150, 300	321	518	95	273	484	334462			334463

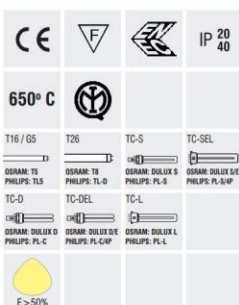
Number of the luminaire's lamps: the third digit of the first number (at the description) corresponds to the number of lamps eg 551x18W = 1x18W.

Note: For installing of the luminaires in plasterboard the hole dimension is represented by A1 x L1.

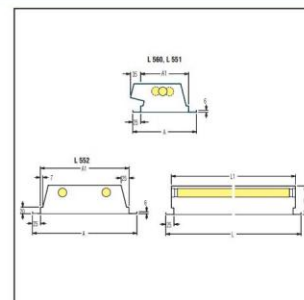
RECESSED LUMINAIRES - PROFESSIONAL

L 550 - 560

L 550 - 560 LSP



- Flat cover made of transparent prismatic methacrylate, anti-glare.
- Steel frame painted in white colour, with steel springs to adapt the cover to the body of the luminaire.
- Protection degree IP40, IP20 in the ceiling.



Description	Staves pitch width	Dimensions					Conventional Ballast and capacitor		Electronic Ballast	
		A	L	H	A1	L1	Code		Code	
LSP 551x18W T26	150	196	647	95	148	613	339012		339013	
LSP 551x36W T26	150	196	1256	95	148	1222	339112		339113	
LSP 551x58W T26	150	196	1556	95	148	1522	339152		339153	
LSP 552x18W T26	100, 150, 300	321	647	95	273	613	339022		339023	
LSP 552x36W T26	100, 150, 300	321	1256	95	273	1222	339122		339123	
LSP 552x58W T26	100, 150, 300	321	1556	95	273	1522	339162		339163	
LSP 561x18W T26	100, 200	238	647	95	190	613	349012		349013	
LSP 561x36W T26	100, 200	238	1256	95	190	1222	349112		349113	
LSP 561x58W T26	100, 200	238	1556	95	190	1522	349152		349153	
LSP 562x18W T26	100, 200	238	647	95	190	613	349022		349023	
LSP 562x36W T26	100, 200	238	1256	95	190	1222	349122		349123	
LSP 562x58W T26	100, 200	238	1556	95	190	1522	349162		349163	
LSP 551x13/14W T16	150	196	647	95	148	613			339173	
LSP 551x20/24W T16	150	196	647	95	148	613			339273	
LSP 551x25/28W T16	150	196	1256	95	148	1222			339233	
LSP 551x50/54W T16	150	196	1256	95	148	1222			339353	
LSP 551x32/35W T16	150	196	1556	95	148	1522			339253	
LSP 551x45/49W T16	150	196	1556	95	148	1522			339333	
LSP 552x13/14W T16	100, 150, 300	321	647	95	273	613			339183	
LSP 552x20/24W T16	100, 150, 300	321	647	95	273	613			339283	
LSP 552x25/28W T16	100, 150, 300	321	1256	95	273	1222			339243	
LSP 552x50/54W T16	100, 150, 300	321	1256	95	273	1222			339363	
LSP 552x32/35W T16	100, 150, 300	321	1556	95	273	1522			339263	
LSP 552x45/49W T16	100, 150, 300	321	1556	95	273	1522			339343	
LSP 552x73/80W T16	100, 150, 300	321	1556	95	273	1522			339403	
LSP 561x13/14W T16	100, 200	238	647	95	190	613			349173	
LSP 561x20/24W T16	100, 200	238	647	95	190	613			349273	
LSP 561x25/28W T16	100, 200	238	1256	95	190	1222			349233	
LSP 561x50/54W T16	100, 200	238	1256	95	190	1222			349353	
LSP 561x32/35W T16	100, 200	238	1556	95	190	1522			349253	
LSP 561x45/49W T16	100, 200	238	1556	95	190	1522			349333	
LSP 561x73/80W T16	100, 200	238	1556	95	190	1522			349393	
LSP 562x13/14W T16	100, 200	238	647	95	190	613			349183	
LSP 562x20/24W T16	100, 200	238	647	95	190	613			349283	
LSP 562x25/28W T16	100, 200	238	1256	95	190	1222			349243	
LSP 562x50/54W T16	100, 200	238	1256	95	190	1222			349363	
LSP 562x32/35W T16	100, 200	238	1556	95	190	1522			349263	
LSP 562x45/49W T16	100, 200	238	1556	95	190	1522			349343	
LSP 552x11W TC-S/TC-SEL	100, 150, 300	321	321	95	273	273	339782			
LSP 552x18W TC-L	100, 150, 300	321	321	95	273	273	339422		339423	
LSP 552x26W TC-D/TC-DEL	100, 150, 300	321	321	95	273	273	339662			
LSP 552x36W TC-L	100, 150, 300	321	518	95	273	484	339462		339463	

Number of the luminaire's lamps: the third digit of the first number (at the description) corresponds to the number of lamps eg 551x18W = 1x18W.

Note: For installing of the luminaires in plasterboard the hole dimension is represented by **A1 x L1**.

RECESSED LUMINAIRES - PROFESSIONAL

L 550 - 560

L 550 - 560 LSPO

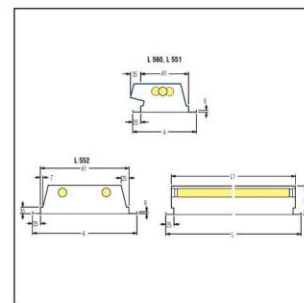


650° C

T16 / G5	T26	TC-S	TC-SEL
OSRAM T8 PHILIPS T8S	OSRAM T8 PHILIPS TL-D	OSRAM DULUX S PHILIPS PL-S	OSRAM DULUX DE PHILIPS PL-GUP
TC-D	TC-DEL	TC-L	
OSRAM DULUX D PHILIPS PL-C	OSRAM DULUX DE PHILIPS PL-GUP	OSRAM DULUX L PHILIPS PL-L	

E>40%

- Flat cover made of opal methacrylate.
- Steel frame painted in white colour, with steel springs to adapt the cover to the body of the luminaire.
- Protection degree IP40, IP20 in the ceiling.



Description	Staves pitch width	Dimensions						Conventional Ballast and capacitor Code	Electronic Ballast Code
		A	L	H	A1	L1			
LSPO 551x18W T26	150	196	647	95	148	613	330012	330013	
LSPO 551x36W T26	150	196	1256	95	148	1222	330112	330113	
LSPO 551x58W T26	150	196	1556	95	148	1522	330152	330153	
LSPO 552x18W T26	100, 150, 300	321	647	95	273	613	330022	330023	
LSPO 552x36W T26	100, 150, 300	321	1256	95	273	1222	330122	330123	
LSPO 552x58W T26	100, 150, 300	321	1556	95	273	1522	330162	330163	
LSPO 561x18W T26	100, 200	238	647	95	190	613	340012	340013	
LSPO 561x36W T26	100, 200	238	1256	95	190	1222	340112	340113	
LSPO 561x58W T26	100, 200	238	1556	95	190	1522	340152	340153	
LSPO 562x18W T26	100, 200	238	647	95	190	613	340022	340023	
LSPO 562x36W T26	100, 200	238	1256	95	190	1222	340122	340123	
LSPO 562x58W T26	100, 200	238	1556	95	190	1522	340162	340163	
LSPO 551x13/14W T16	150	196	647	95	148	613		330173	
LSPO 551x20/24W T16	150	196	647	95	148	613		330273	
LSPO 551x25/28W T16	150	196	1256	95	148	1222		330233	
LSPO 551x50/54W T16	150	196	1256	95	148	1222		330353	
LSPO 551x32/35W T16	150	196	1556	95	148	1522		330253	
LSPO 551x45/49W T16	150	196	1556	95	148	1522		330333	
LSPO 552x13/14W T16	100, 150, 300	321	647	95	273	613		330183	
LSPO 552x20/24W T16	100, 150, 300	321	647	95	273	613		330283	
LSPO 552x25/28W T16	100, 150, 300	321	1256	95	273	1222		330243	
LSPO 552x50/54W T16	100, 150, 300	321	1256	95	273	1222		330363	
LSPO 552x32/35W T16	100, 150, 300	321	1556	95	273	1522		330263	
LSPO 552x45/49W T16	100, 150, 300	321	1556	95	273	1522		330343	
LSPO 552x73/80W T16	100, 150, 300	321	1556	95	273	1522		330403	
LSPO 561x13/14W T16	100, 200	238	647	95	190	613		340173	
LSPO 561x20/24W T16	100, 200	238	647	95	190	613		340273	
LSPO 561x25/28W T16	100, 200	238	1256	95	190	1222		340233	
LSPO 561x50/54W T16	100, 200	238	1256	95	190	1222		340353	
LSPO 561x32/35W T16	100, 200	238	1556	95	190	1522		340253	
LSPO 561x45/49W T16	100, 200	238	1556	95	190	1522		340333	
LSPO 561x73/80W T16	100, 200	238	1556	95	190	1522		340393	
LSPO 562x13/14W T16	100, 200	238	647	95	190	613		340183	
LSPO 562x20/24W T16	100, 200	238	647	95	190	613		340283	
LSPO 562x25/28W T16	100, 200	238	1256	95	190	1222		340243	
LSPO 562x50/54W T16	100, 200	238	1256	95	190	1222		340363	
LSPO 562x32/35W T16	100, 200	238	1556	95	190	1522		340263	
LSPO 562x45/49W T16	100, 200	238	1556	95	190	1522		340343	
LSPO 552x11W TC-S/TC-SEL	100, 150, 300	321	321	95	273	273	330782		
LSPO 552x18W TC-L	100, 150, 300	321	321	95	273	273	330422	330423	
LSPO 552x26W TC-D/TC-DEL	100, 150, 300	321	321	95	273	273	330662		
LSPO 552x36W TC-L	100, 150, 300	321	518	95	273	484	330462	330463	

Number of the luminaire's lamps: the third digit of the first number (at the description) corresponds to the number of lamps eg 551x18W = 1x18W.

Note: For installing of the luminaires in plasterboard the hole dimension is represented by **A1 x L1**.

RECESSED LUMINAIRES - PROFESSIONAL

L 550 - 560

L 550 - 560 LSP IP54

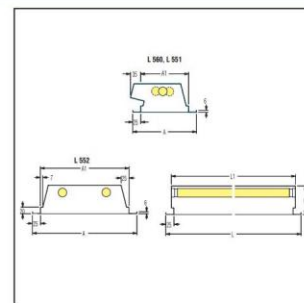


650° C

T16 / G5	T26	TC-S	TC-SEL
OSRAM: T16 PHILIPS: T16	OSRAM: T26 PHILIPS: T2-D	OSRAM: DUXEL S PHILIPS: PL-S	OSRAM: DUXEL DE PHILIPS: PL-GUP
TC-D	TC-DEL	TC-L	
OSRAM: DUXEL D PHILIPS: PL-C	OSRAM: DUXEL DE PHILIPS: PL-GUP	OSRAM: DUXEL L PHILIPS: PL-L	

E > 50%

- Flat cover made of transparent prismatic methacrylate, anti-glare.
- Steel frame painted in white colour, with steel springs to adapt the cover to the body of the luminaire.
- Protection degree IP54, IP20 in the ceiling.



Description	Staves pitch width	Dimensions					Conventional Ballast and capacitor Code	Electronic Ballast Code
		A	L	H	A1	L1		
LSP 551x18W T26 IP54	150	196	647	95	148	613	583012	583013
LSP 551x36W T26 IP54	150	196	1256	95	148	1222	583112	583113
LSP 551x58W T26 IP54	150	196	1556	95	148	1522	583152	583153
LSP 552x18W T26 IP54	100, 150, 300	321	647	95	273	613	583022	583023
LSP 552x36W T26 IP54	100, 150, 300	321	1256	95	273	1222	583122	583123
LSP 552x58W T26 IP54	100, 150, 300	321	1556	95	273	1522	583162	583163
LSP 561x18W T26 IP54	100, 200	238	647	95	190	613	584012	584013
LSP 561x36W T26 IP54	100, 200	238	1256	95	190	1222	584112	584113
LSP 561x58W T26 IP54	100, 200	238	1556	95	190	1522	584152	584153
LSP 562x18W T26 IP54	100, 200	238	647	95	190	613	584022	584023
LSP 562x36W T26 IP54	100, 200	238	1256	95	190	1222	584122	584123
LSP 562x58W T26 IP54	100, 200	238	1556	95	190	1522	584162	584163
LSP 551x13/14W T16 IP54	150	196	647	95	148	613		583173
LSP 551x20/24W T16 IP54	150	196	647	95	148	613		583273
LSP 551x25/28W T16 IP54	150	196	1256	95	148	1222		583233
LSP 551x50/54W T16 IP54	150	196	1256	95	148	1222		583353
LSP 551x32/35W T16 IP54	150	196	1556	95	148	1522		583253
LSP 551x45/49W T16 IP54	150	196	1556	95	148	1522		583333
LSP 552x13/14W T16 IP54	100, 150, 300	321	647	95	273	613		583183
LSP 552x20/24W T16 IP54	100, 150, 300	321	647	95	273	613		583283
LSP 552x25/28W T16 IP54	100, 150, 300	321	1256	95	273	1222		583243
LSP 552x50/54W T16 IP54	100, 150, 300	321	1256	95	273	1222		583363
LSP 552x32/35W T16 IP54	100, 150, 300	321	1556	95	273	1522		583263
LSP 552x45/49W T16 IP54	100, 150, 300	321	1556	95	273	1522		583343
LSP 552x73/80W T16 IP54	100, 150, 300	321	1556	95	273	1522		583403
LSP 561x13/14W T16 IP54	100, 200	238	647	95	190	613		584173
LSP 561x20/24W T16 IP54	100, 200	238	647	95	190	613		584273
LSP 561x25/28W T16 IP54	100, 200	238	1256	95	190	1222		584233
LSP 561x50/54W T16 IP54	100, 200	238	1256	95	190	1222		584353
LSP 561x32/35W T16 IP54	100, 200	238	1556	95	190	1522		584253
LSP 561x45/49W T16 IP54	100, 200	238	1556	95	190	1522		584333
LSP 561x73/80W T16 IP54	100, 200	238	1556	95	190	1522		584393
LSP 562x13/14W T16 IP54	100, 200	238	647	95	190	613		584183
LSP 562x20/24W T16 IP54	100, 200	238	647	95	190	613		584283
LSP 562x25/28W T16 IP54	100, 200	238	1256	95	190	1222		584243
LSP 562x50/54W T16 IP54	100, 200	238	1256	95	190	1222		584363
LSP 562x32/35W T16 IP54	100, 200	238	1556	95	190	1522		584263
LSP 562x45/49W T16 IP54	100, 200	238	1556	95	190	1522		584343
LSP 552x11W IP54 TC-S/TC-SEL	100, 150, 300	321	321	95	273	273	583782	
LSP 552x18W IP54 TC-L	100, 150, 300	321	321	95	273	273	583422	583423
LSP 552x26W IP54 TC-D/TC-DEL	100, 150, 300	321	321	95	273	273	583662	
LSP 552x36W IP54 TC-L	100, 150, 300	321	518	95	273	484	583462	583463

Number of the luminaire's lamps: the third digit of the first number (at the description) corresponds to the number of lamps eg 551x18W = 1x18W.

Note: For installing of the luminaires in plasterboard the hole dimension is represented by **A1 x L1**.

RECESSED LUMINAIRES - PROFESSIONAL

L 550 - 560

L 550 - 560 LSPO IP54

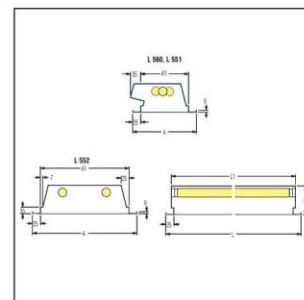


650° C

T16 / G5	T26	TC-S	TC-SEL
OSRAM: T8 PHILIPS: T16	OSRAM: T8 PHILIPS: T16-D	OSRAM: DUALX S PHILIPS: PL-S	OSRAM: DUALX DE PHILIPS: PL-G/DP
TC-D	TC-DEL	TC-L	
OSRAM: DUALX D PHILIPS: PL-C	OSRAM: DUALX DE PHILIPS: PL-C/DP	OSRAM: DUALX L PHILIPS: PL-L	

E>40%

- Flat cover made of opal methacrylate.
- Steel frame painted in white colour, with steel springs to adapt the cover to the body of the luminaire.
- Protection degree IP54, IP20 in the ceiling.



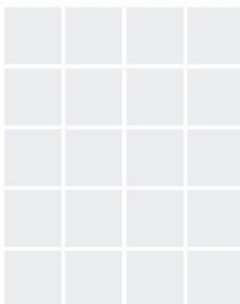
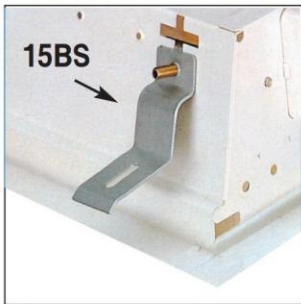
Description	Staves pitch width	Dimensions					Conventional Ballast and capacitor Code	Electronic Ballast Code
		A	L	H	A1	L1		
LSPO 551x18W T26 IP54	150	196	647	95	148	613	587012	587013
LSPO 551x36W T26 IP54	150	196	1256	95	148	1222	587112	587113
LSPO 551x58W T26 IP54	150	196	1556	95	148	1522	587152	587153
LSPO 552x18W T26 IP54	100, 150, 300	321	647	95	273	613	587022	587023
LSPO 552x36W T26 IP54	100, 150, 300	321	1256	95	273	1222	587122	587123
LSPO 552x58W T26 IP54	100, 150, 300	321	1556	95	273	1522	587162	587163
LSPO 561x18W T26 IP54	100, 200	238	647	95	190	613	588012	588013
LSPO 561x36W T26 IP54	100, 200	238	1256	95	190	1222	588112	588113
LSPO 561x58W T26 IP54	100, 200	238	1556	95	190	1522	588152	588153
LSPO 562x18W T26 IP54	100, 200	238	647	95	190	613	588022	588023
LSPO 562x36W T26 IP54	100, 200	238	1256	95	190	1222	588122	588123
LSPO 562x58W T26 IP54	100, 200	238	1556	95	190	1522	588162	588163
LSPO 551x13/14W T16 IP54	150	196	647	95	148	613		587173
LSPO 551x20/24W T16 IP54	150	196	647	95	148	613		587273
LSPO 551x25/28W T16 IP54	150	196	1256	95	148	1222		587233
LSPO 551x50/54W T16 IP54	150	196	1256	95	148	1222		587353
LSPO 551x32/35W T16 IP54	150	196	1556	95	148	1522		587253
LSPO 551x45/49W T16 IP54	150	196	1556	95	148	1522		587333
LSPO 552x13/14W T16 IP54	100, 150, 300	321	647	95	273	613		587183
LSPO 552x20/24W T16 IP54	100, 150, 300	321	647	95	273	613		587283
LSPO 552x25/28W T16 IP54	100, 150, 300	321	1256	95	273	1222		587243
LSPO 552x50/54W T16 IP54	100, 150, 300	321	1256	95	273	1222		587363
LSPO 552x32/35W T16 IP54	100, 150, 300	321	1556	95	273	1522		587263
LSPO 552x45/49W T16 IP54	100, 150, 300	321	1556	95	273	1522		587343
LSPO 552x73/80W T16 IP54	100, 150, 300	321	1556	95	273	1522		587403
LSPO 561x13/14W T16 IP54	100, 200	238	647	95	190	613		588173
LSPO 561x20/24W T16 IP54	100, 200	238	647	95	190	613		588273
LSPO 561x25/28W T16 IP54	100, 200	238	1256	95	190	1222		588233
LSPO 561x50/54W T16 IP54	100, 200	238	1256	95	190	1222		588353
LSPO 561x32/35W T16 IP54	100, 200	238	1556	95	190	1522		588253
LSPO 561x45/49W T16 IP54	100, 200	238	1556	95	190	1522		588333
LSPO 561x73/80W T16 IP54	100, 200	238	1556	95	190	1522		588393
LSPO 562x13/14W T16 IP54	100, 200	238	647	95	190	613		588183
LSPO 562x20/24W T16 IP54	100, 200	238	647	95	190	613		588283
LSPO 562x25/28W T16 IP54	100, 200	238	1256	95	190	1222		588243
LSPO 562x50/54W T16 IP54	100, 200	238	1256	95	190	1222		588363
LSPO 562x32/35W T16 IP54	100, 200	238	1556	95	190	1522		588263
LSPO 562x45/49W T16 IP54	100, 200	238	1556	95	190	1522		588343
LSPO 552x11W IP54 TC-S/TC-SEL	100, 150, 300	321	321	95	273	273	587782	
LSPO 552x18W IP54 TC-L	100, 150, 300	321	321	95	273	273	587422	587423
LSPO 552x26W IP54 TC-D /TC-DEL	100, 150, 300	321	321	95	273	273	587662	
LSPO 552x36W IP54 TC-L	100, 150, 300	321	518	95	273	484	587462	587463

Number of the luminaire's lamps: the third digit of the first number (at the description) corresponds to the number of lamps eg 551x18W = 1x18W.

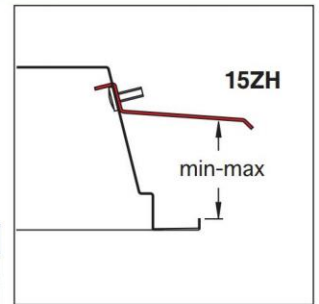
Note: For installing of the luminaires in plasterboard the hole dimension is represented by **A1 x L1**.

L 550 - 560

L 550 - 560 ACCESSORY - SUSPENSION BRACKETS

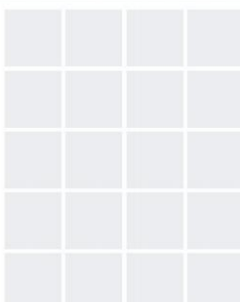
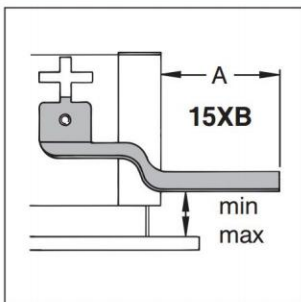


- Suspension brackets from galvanized steel thickness 1,5mm, necessary for the installation in plasterboard or in staves pitch (width 100, 150, 200, 300mm) placed parallel to the luminaires.



Code	Description
303001	15 BS 15 BS min.18mm, max. 45mm (4 pieces) 0170
303005	15 ZH 15 ZH min.45mm, max. 72mm (4 pieces) 0177

L 550 - 560 ACCESSORY - SUSPENSION BRACKETS



- Suspension brackets from galvanized steel thickness 1,5mm, necessary for the installation of L550, L560 luminaires in staves pitch (width 100, 150, 200, 300mm), placed transverse to the luminaires.

Code	Description
303004	15 XB 15 XB min.20mm, max. 40mm A=55mm (4 pieces) 0176
303003	15 GF 15 GF min.40mm, max. 60mm A=60mm (4 pieces) 0175
303002	15 DP 15 DP min.60mm, max. 80mm A=55mm (4 pieces) 0174

