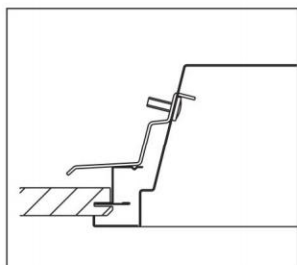


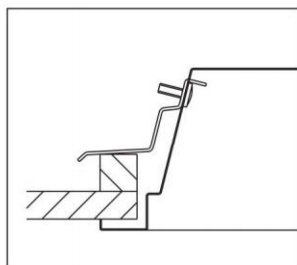
L 400



Recessed luminaires for panels in mineral fibre with **concealed structure or plasterboard ceiling**, 600x600 & 600x1200mm.



Mineral fibre panels 600x600,
600x1200, with concealed
structure.
Fixing bracket item 15BS.



Plasterboard ceiling.
Fixing bracket item 15BS.

Technical Features

- Luminaires for fluorescent lamps T26, T16.
- Steel body, electrostatically painted in white color.
- Connection for operation on 230V-50Hz with conventional ballast and power factor correction capacitor (lamps T26, TC-L).
- Connection for operation with electronic ballast (lamps T26, T16, TC-L).
- Connection for operation with electronic dimmable ballast (lamps T26, T16, TC-L).
- Connection for emergency lighting system (lamps T26, T16, TC-L).

Upon request

- Frame (flange) in various colours (RAL).

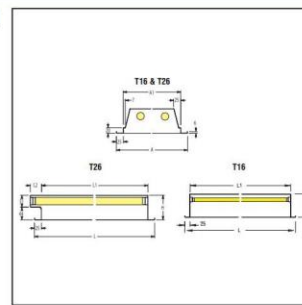
RECESSED LUMINAIRES - PROFESSIONAL

L 400

L 400 LP2M



- Louvre 2M with transverse parabolic blades and longitudinal double-parabolic elements (reflectors), from anodized non iridescent specular aluminium.
- 2M louvre have illuminance <math>< 200\text{cd/m}^2</math> for radial angles >65°.



Description	Dimensions						Conventional Ballast and capacitor Code	Electronic Ballast Code
	A	L	H	A1	L1	L2		
LP2M 403x18W T26	621	621	95	573	573	40	321032	321033
LP2M 404x18W T26	621	621	95	573	573	40	321042	321043
LP2M 403x36W T26	621	1221	95	573	1173	50	321132	321133
LP2M 404x36W T26	621	1221	95	573	1173	50	321142	321143
LP2M 403x13/14W T16	621	621	95	573	573			321193
LP2M 403x20/24W T16	621	621	95	573	573			321313
LP2M 404x13/14W T16	621	621	95	573	573			321203
LP2M 404x20/24W T16	621	621	95	573	573			321323
LP2M 403x25/28W T16	621	1221	95	573	1173			321253
LP2M 403x50/54W T16	621	1221	95	573	1173			321393
LP2M 404x25/28W T16	621	1221	95	573	1173			321263
LP2M 404x50/54W T16	621	1221	95	573	1173			321403

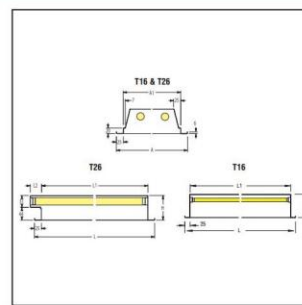
Number of the luminaire's lamps: the third digit of the first number (at the description) corresponds to the number of lamps eg 404x18W = 4x18W.

Note: For installing of the luminaires in plasterboard the hole dimension is represented by **A1 x L1**.

L 400 LP2S



- Louvre 2S with transverse parabolic blades and longitudinal double-parabolic elements (reflectors), from anodized non iridescent semi-glossy aluminium.
- 2S louvre have illuminance <math>< 200\text{cd/m}^2</math> for radial angles >65°.



Description	Dimensions						Conventional Ballast and capacitor Code	Electronic Ballast Code
	A	L	H	A1	L1	L2		
LP2S 403x18W T26	621	621	95	573	573	40	322032	322033
LP2S 404x18W T26	621	621	95	573	573	40	322042	322043
LP2S 403x36W T26	621	1221	95	573	1173	50	322132	322133
LP2S 404x36W T26	621	1221	95	573	1173	50	322142	322143
LP2S 403x13/14W T16	621	621	95	573	573			322193
LP2S 403x20/24W T16	621	621	95	573	573			322313
LP2S 404x13/14W T16	621	621	95	573	573			322203
LP2S 404x20/24W T16	621	621	95	573	573			322323
LP2S 403x25/28W T16	621	1221	95	573	1173			322253
LP2S 403x50/54W T16	621	1221	95	573	1173			322393
LP2S 404x25/28W T16	621	1221	95	573	1173			322263
LP2S 404x50/54W T16	621	1221	95	573	1173			322403

Number of the luminaire's lamps: the third digit of the first number (at the description) corresponds to the number of lamps eg 404x18W = 4x18W.

Note: For installing of the luminaires in plasterboard the hole dimension is represented by **A1 x L1**.

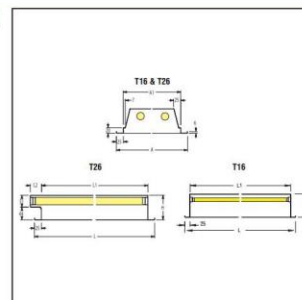
RECESSED LUMINAIRES - PROFESSIONAL

L 400

L 400 LP3M



- Louvre 3M with transverse parabolic blades and longitudinal double-parabolic elements (reflectors), with square cell section from anodized non iridescent specular aluminium.



Description	Dimensions						Conventional Ballast and capacitor Code	Electronic Ballast Code
	A	L	H	A1	L1	L2		
LP3M 403x18W T26	621	621	95	573	573	40	323032	323033
LP3M 404x18W T26	621	621	95	573	573	40	323042	323043
LP3M 403x36W T26	621	1221	95	573	1173	50	323132	323133
LP3M 404x36W T26	621	1221	95	573	1173	50	323142	323143
LP3M 403x13/14W T16	621	621	95	573	573			323193
LP3M 403x20/24W T16	621	621	95	573	573			323313
LP3M 404x13/14W T16	621	621	95	573	573			323203
LP3M 404x20/24W T16	621	621	95	573	573			323323
LP3M 403x25/28W T16	621	1221	95	573	1173			323253
LP3M 403x50/54W T16	621	1221	95	573	1173			323393
LP3M 404x25/28W T16	621	1221	95	573	1173			323263
LP3M 404x50/54W T16	621	1221	95	573	1173			323403

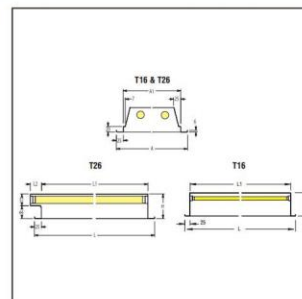
Number of the luminaire's lamps: the third digit of the first number (at the description) corresponds to the number of lamps eg 404x18W = 4x18W.

Note: For installing of the luminaires in plasterboard the hole dimension is represented by **A1 x L1**.

L 400 LP3V



- Louvre 3V with transverse parabolic blades and longitudinal double-parabolic elements (reflectors), in white painted steel.



Description	Dimensions						Conventional Ballast and capacitor Code	Electronic Ballast Code
	A	L	H	A1	L1	L2		
LP3V 403x18W T26	621	621	95	573	573	40	324032	324033
LP3V 404x18W T26	621	621	95	573	573	40	324042	324043
LP3V 403x36W T26	621	1221	95	573	1173	50	324132	324133
LP3V 404x36W T26	621	1221	95	573	1173	50	324142	324143
LP3V 403x13/14W T16	621	621	95	573	573			324193
LP3V 403x20/24W T16	621	621	95	573	573			324313
LP3V 404x13/14W T16	621	621	95	573	573			324203
LP3V 404x20/24W T16	621	621	95	573	573			324323
LP3V 403x25/28W T16	621	1221	95	573	1173			324253
LP3V 403x50/54W T16	621	1221	95	573	1173			324393
LP3V 404x25/28W T16	621	1221	95	573	1173			324263
LP3V 404x50/54W T16	621	1221	95	573	1173			324403

Number of the luminaire's lamps: the third digit of the first number (at the description) corresponds to the number of lamps eg 404x18W = 4x18W.

Note: For installing of the luminaires in plasterboard the hole dimension is represented by **A1 x L1**.

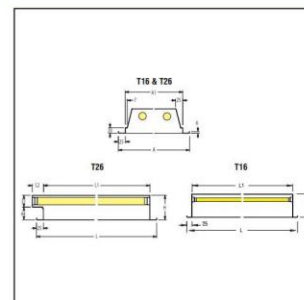
RECESSED LUMINAIRES - PROFESSIONAL

L 400

L 400 LSP



- Flat cover made of transparent prismatic methacrylate, anti-glare.
- Steel frame painted in white colour, with steel springs to adapt the cover to the body of the luminaire.
- Protection degree IP40, IP20 in the ceiling.



Description	Dimensions						Conventional Ballast and capacitor Code	Electronic Ballast Code
	A	L	H	A1	L1	L2		
LSP 403x18W T26	621	621	95	573	573	40	329032	329033
LSP 404x18W T26	621	621	95	573	573	40	329042	329043
LSP 403x36W T26	621	1221	95	573	1173	50	329132	329133
LSP 404x36W T26	621	1221	95	573	1173	50	329142	329143
LSP 403x13/14W T16	621	621	95	573	573			329193
LSP 403x20/24W T16	621	621	95	573	573			329313
LSP 404x13/14W T16	621	621	95	573	573			329203
LSP 404x20/24W T16	621	621	95	573	573			329323
LSP 403x25/28W T16	621	1221	95	573	1173			329253
LSP 403x50/54W T16	621	1221	95	573	1173			329393
LSP 404x25/28W T16	621	1221	95	573	1173			329263
LSP 404x50/54W T16	621	1221	95	573	1173			329403

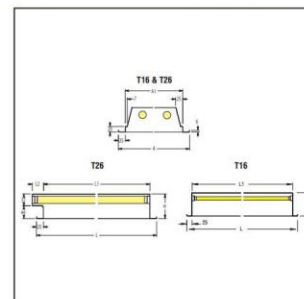
Number of the luminaire's lamps: the third digit of the first number (at the description) corresponds to the number of lamps eg 404x18W = 4x18W.

Note: For installing of the luminaires in plasterboard the hole dimension is represented by **A1 x L1**.

L 400 LSP0



- Flat cover made of opal methacrylate.
- Steel frame painted in white colour, with steel springs to adapt the cover to the body of the luminaire.
- Protection degree IP40, IP20 in the ceiling.



Description	Dimensions						Conventional Ballast and capacitor Code	Electronic Ballast Code
	A	L	H	A1	L1	L2		
LSP0 403x18W T26	621	621	95	573	573	40	320032	320033
LSP0 404x18W T26	621	621	95	573	573	40	320042	320043
LSP0 403x36W T26	621	1221	95	573	1173	50	320132	320133
LSP0 404x36W T26	621	1221	95	573	1173	50	320142	320143
LSP0 403x13/14W T16	621	621	95	573	573			320193
LSP0 403x20/24W T16	621	621	95	573	573			320313
LSP0 404x13/14W T16	621	621	95	573	573			320203
LSP0 404x20/24W T16	621	621	95	573	573			320323
LSP0 403x25/28W T16	621	1221	95	573	1173			320253
LSP0 403x50/54W T16	621	1221	95	573	1173			320393
LSP0 404x25/28W T16	621	1221	95	573	1173			320263
LSP0 404x50/54W T16	621	1221	95	573	1173			320403

Number of the luminaire's lamps: the third digit of the first number (at the description) corresponds to the number of lamps eg 404x18W = 4x18W.

Note: For installing of the luminaires in plasterboard the hole dimension is represented by **A1 x L1**.

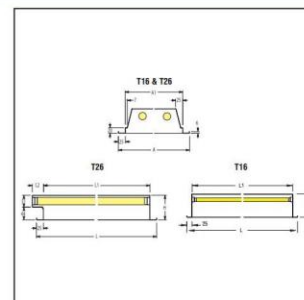
RECESSED LUMINAIRES - PROFESSIONAL

L 400

L 400 LSP IP54



- Flat cover made of transparent prismatic methacrylate, anti-glare.
- Steel frame painted in white colour, with steel springs to adapt the cover to the body of the luminaire.
- Protection degree IP54, IP20 in the ceiling.



Description	Dimensions						Conventional Ballast and capacitor Code	Electronic Ballast Code
	A	L	H	A1	L1	L2		
LSP 403x18W T26 IP54	621	621	95	573	573	40	582032	582033
LSP 404x18W T26 IP54	621	621	95	573	573	40	582042	582043
LSP 403x36W T26 IP54	621	1221	95	573	1173	50	582132	582133
LSP 404x36W T26 IP54	621	1221	95	573	1173	50	582142	582143
LSP 403x13/14W T16 IP54	621	621	95	573	573			582193
LSP 403x20/24W T16 IP54	621	621	95	573	573			582313
LSP 404x13/14W T16 IP54	621	621	95	573	573			582203
LSP 404x20/24W T16 IP54	621	621	95	573	573			582323
LSP 403x25/28W T16 IP54	621	1221	95	573	1173			582253
LSP 403x50/54W T16 IP54	621	1221	95	573	1173			582393
LSP 404x25/28W T16 IP54	621	1221	95	573	1173			582263
LSP 404x50/54W T16 IP54	621	1221	95	573	1173			582403

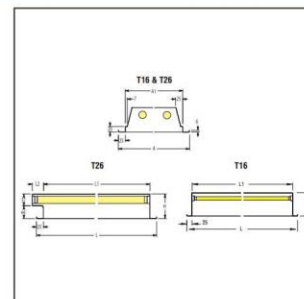
Number of the luminaire's lamps: the third digit of the first number (at the description) corresponds to the number of lamps eg 404x18W = 4x18W.

Note: For installing of the luminaires in plasterboard the hole dimension is represented by **A1 x L1**.

L 400 LSPO IP54



- Flat cover made of opal methacrylate.
- Steel frame painted in white colour, with steel springs to adapt the cover to the body of the luminaire.
- Protection degree IP54, IP20 in the ceiling.



Description	Dimensions						Conventional Ballast and capacitor Code	Electronic Ballast Code
	A	L	H	A1	L1	L2		
LSPO 403x18W T26 IP54	621	621	95	573	573	40	586032	586033
LSPO 404x18W T26 IP54	621	621	95	573	573	40	586042	586043
LSPO 403x36W T26 IP54	621	1221	95	573	1173	50	586132	586133
LSPO 404x36W T26 IP54	621	1221	95	573	1173	50	586142	586143
LSPO 403x13/14W T16 IP54	621	621	95	573	573			586193
LSPO 403x20/24W T16 IP54	621	621	95	573	573			586313
LSPO 404x13/14W T16 IP54	621	621	95	573	573			586203
LSPO 404x20/24W T16 IP54	621	621	95	573	573			586323
LSPO 403x25/28W T16 IP54	621	1221	95	573	1173			586253
LSPO 403x50/54W T16 IP54	621	1221	95	573	1173			586393
LSPO 404x25/28W T16 IP54	621	1221	95	573	1173			586263
LSPO 404x50/54W T16 IP54	621	1221	95	573	1173			586403

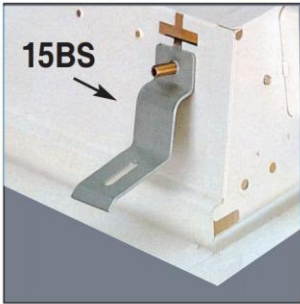
Number of the luminaire's lamps: the third digit of the first number (at the description) corresponds to the number of lamps eg 404x18W = 4x18W.

Note: For installing of the luminaires in plasterboard the hole dimension is represented by **A1 x L1**.

RECESSED LUMINAIRES - PROFESSIONAL

L 400

L 400 ACCESSORY - SUSPENSION BRACKETS



- Suspension brackets from galvanized steel thickness 1,5mm, necessary for the installation in plasterboard.

Code	Description
303001	15 BS (4 pieces) 0170

