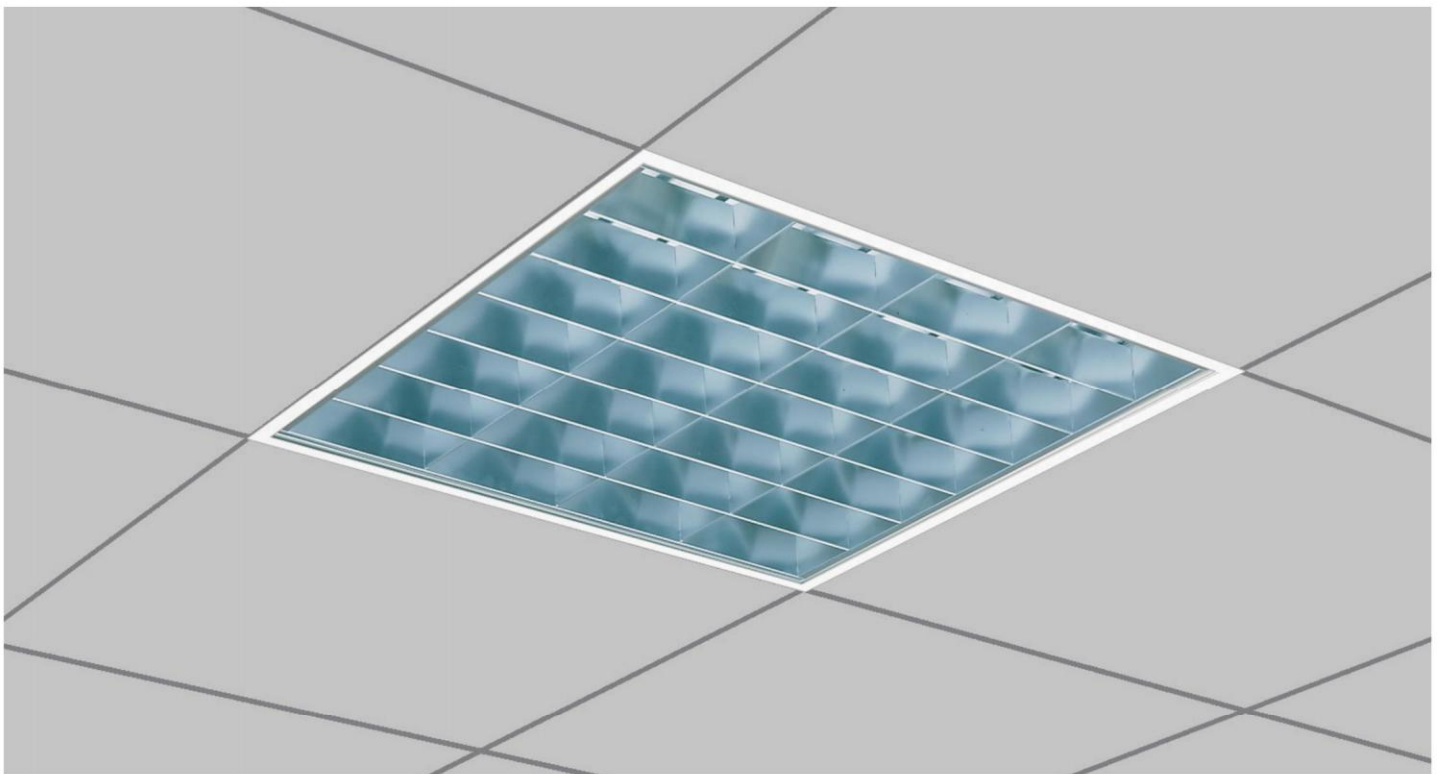
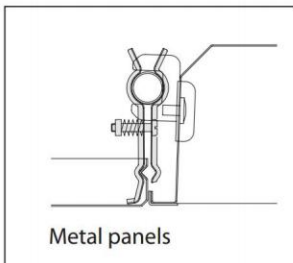


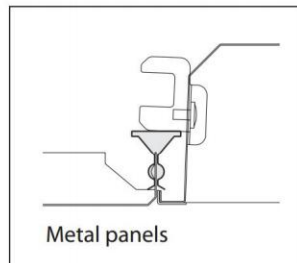
L 320 CLIP IN



Recessed luminaires for panels in mineral fibre ceilings 600x600, 600x1200 with **exposed structure**.



Metal panels 600x600. Mounting with exposed edge, using fixing brackets 15LB.



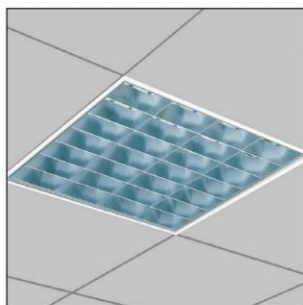
Metal panels 600x600. Mounting with exposed edge, using fixing brackets 15LB.

Technical Features

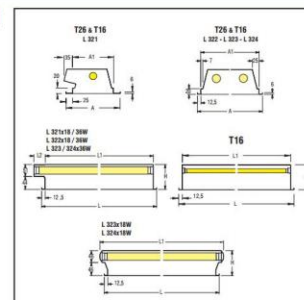
- Luminaires for fluorescent lamps T26, T16 and compact TC-L (2G11).
- Steel body, electrostatically painted in white color.
- Connection for operation on 230V-50Hz with conventional ballast and power factor correction capacitor (lamps T26, TC-L).
- Connection for operation with electronic ballast (lamps T26, T16, TC-L).
- Connection for operation with electronic dimmable ballast (lamps T26, T16, TC-L).
- Connection for emergency lighting system (lamps T26, T16, TC-L).

L 320 CLIP IN

L 320 CI LP2M



- Louvre 2M with transverse parabolic blades and longitudinal double-parabolic elements (reflectors), from anodized non iridescent specular aluminium.
- 2M louvre have illuminance <math><200\text{cd/m}^2</math> for radial angles >math>65^\circ</math>.

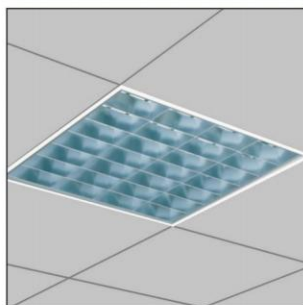


Description	For panels with structure	Dimensions						Conventional Ballast and capacitor Code	Electronic Ballast Code
		A	L	H	A1	L1	L2		
LP2M CI 322x18W T26	<b>300 x 600</b>	299	599	95	273	573	40	311022CI	311023CI
LP2M CI 323x18W T26	<b>600 x 600</b>	599	599	92	573	626		311032CI	311033CI
LP2M CI 324x18W T26	<b>600 x 600</b>	599	599	92	573	626		311042CI	311043CI
LP2M CI 322x36W T26	<b>300 x 1200</b>	299	1199	95	273	1173	50	311122CI	311123CI
LP2M CI 323x36W T26	<b>600 x 1200</b>	599	1199	95	573	1173	50	311132CI	311133CI
LP2M CI 324x36W T26	<b>600 x 1200</b>	599	1199	95	573	1173	50	311142CI	311143CI
LP2M CI 322x13/14W T16	<b>300 x 600</b>	299	599	95	273	573			311183CI
LP2M CI 322x20/24W T16	<b>300 x 600</b>	299	599	95	273	573			311303CI
LP2M CI 323x13/14W T16	<b>600 x 600</b>	599	599	95	573	573			311193CI
LP2M CI 323x20/24W T16	<b>600 x 600</b>	599	599	95	573	573			311313CI
LP2M CI 324x13/14W T16	<b>600 x 600</b>	599	599	95	573	573			311203CI
LP2M CI 324x20/24W T16	<b>600 x 600</b>	599	599	95	573	573			311323CI
LP2M CI 322x25/28W T16	<b>300 x 1200</b>	299	1199	95	273	1173			311243CI
LP2M CI 322x50/54W T16	<b>300 x 1200</b>	299	1199	95	273	1173			311383CI
LP2M CI 323x25/28W T16	<b>600 x 1200</b>	599	1199	95	573	1173			311253CI
LP2M CI 323x50/54W T16	<b>600 x 1200</b>	599	1199	95	573	1173			311393CI
LP2M CI 324x25/28W T16	<b>600 x 1200</b>	599	1199	95	573	1173			311263CI
LP2M CI 324x50/54W T16	<b>600 x 1200</b>	599	1199	95	573	1173			311403CI
LP2M CI 324x36W TC-L	<b>600 x 600</b>	599	599	95	573	626		311492CI	311493CI
LP2M CI 324x55W TC-L	<b>600 x 600</b>	599	599	95	573	626			311553CI

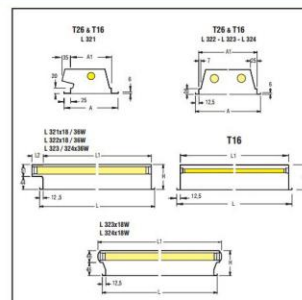
**Number of the luminaire's lamps:** the third digit of the first number (at the description) corresponds to the number of lamps eg 322x18W = 2x18W.

L 320 CLIP IN

L 320 CI LP2S



- Louvre 2S with transverse parabolic blades and longitudinal double-parabolic elements (reflectors), from anodized non iridescent semi-glossy aluminium.
- 2S louvre have illuminance <math><200\text{cd/m}^2</math> for radial angles >math>65^\circ</math>.

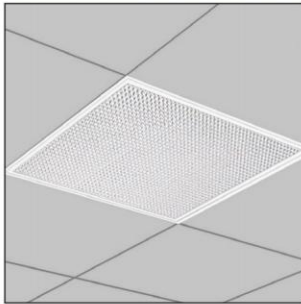


Description	For panels with structure	Dimensions						Conventional Ballast and capacitor Code	Electronic Ballast Code
		A	L	H	A1	L1	L2		
LP2S CI 322x18W T26	<b>300 x 600</b>	299	599	95	273	573	40	312022CI	312023CI
LP2S CI 323x18W T26	<b>600 x 600</b>	599	599	92	573	626		312032CI	312033CI
LP2S CI 324x18W T26	<b>600 x 600</b>	599	599	92	573	626		312042CI	312043CI
LP2S CI 322x36W T26	<b>300 x 1200</b>	299	1199	95	273	1173	50	312122CI	312123CI
LP2S CI 323x36W T26	<b>600 x 1200</b>	599	1199	95	573	1173	50	312132CI	312133CI
LP2S CI 324x36W T26	<b>600 x 1200</b>	599	1199	95	573	1173	50	312142CI	312143CI
LP2S CI 322x13/14W T16	<b>300 x 600</b>	299	599	95	273	573			312183CI
LP2S CI 322x20/24W T16	<b>300 x 600</b>	299	599	95	273	573			312303CI
LP2S CI 323x13/14W T16	<b>600 x 600</b>	599	599	95	573	573			312193CI
LP2S CI 323x20/24W T16	<b>600 x 600</b>	599	599	95	573	573			312313CI
LP2S CI 324x13/14W T16	<b>600 x 600</b>	599	599	95	573	573			312203CI
LP2S CI 324x20/24W T16	<b>600 x 600</b>	599	599	95	573	573			312323CI
LP2S CI 322x25/28W T16	<b>300 x 1200</b>	299	1199	95	273	1173			312243CI
LP2S CI 322x50/54W T16	<b>300 x 1200</b>	299	1199	95	273	1173			312383CI
LP2S CI 323x25/28W T16	<b>600 x 1200</b>	599	1199	95	573	1173			312253CI
LP2S CI 323x50/54W T16	<b>600 x 1200</b>	599	1199	95	573	1173			312393CI
LP2S CI 324x25/28W T16	<b>600 x 1200</b>	599	1199	95	573	1173			312263CI
LP2S CI 324x50/54W T16	<b>600 x 1200</b>	599	1199	95	573	1173			312403CI
LP2S CI 324x36W TC-L	<b>600 x 600</b>	599	599	95	573	626		312492CI	312493CI
LP2S CI 324x55W TC-L	<b>600 x 600</b>	599	599	95	573	626			312553CI

**Number of the luminaire's lamps:** the third digit of the first number (at the description) corresponds to the number of lamps eg 322x18W = 2x18W.

L 320 CLIP IN

L 320 CI LSP



CE F IP 20 40

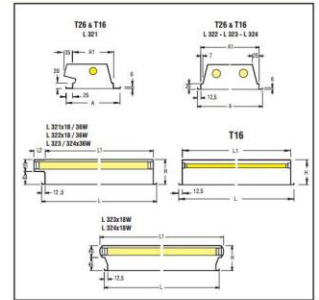
650° C

T16 / G5 T26 TC-L

OSRAM: T5 PHILIPS: TL5 OSRAM: T8 PHILIPS: TL-D OSRAM: DULUX L PHILIPS: PL-L

T16 E > 90%

- Flat cover made of transparent prismatic methacrylate, anti-glare.
- Steel frame painted in white colour, with steel springs to adapt the cover to the body of the luminaire.

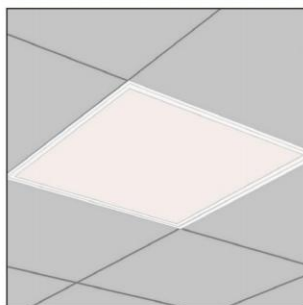


Description	For panels with structure	Dimensions						Conventional Ballast and capacitor Code		Electronic Ballast Code	
		A	L	H	A1	L1	L2				
LSP CI 322x18W T26	300 x 600	299	599	95	273	573	40	319022CI		319023CI	
LSP CI 323x18W T26	600 x 600	599	599	92	573	626		319032CI		319033CI	
LSP CI 324x18W T26	600 x 600	599	599	92	573	626		319042CI		319043CI	
LSP CI 322x36W T26	300 x 1200	299	1199	95	273	1173	50	319122CI		319123CI	
LSP CI 323x36W T26	600 x 1200	599	1199	95	573	1173	50	319132CI		319133CI	
LSP CI 324x36W T26	600 x 1200	599	1199	95	573	1173	50	319142CI		319143CI	
LSP CI 322x13/14W T16	300 x 600	299	599	95	273	573				319183CI	
LSP CI 322x20/24W T16	300 x 600	299	599	95	273	573				319303CI	
LSP CI 323x13/14W T16	600 x 600	599	599	95	573	573				319193CI	
LSP CI 323x20/24W T16	600 x 600	599	599	95	573	573				319313CI	
LSP CI 324x13/14W T16	600 x 600	599	599	95	573	573				319203CI	
LSP CI 324x20/24W T16	600 x 600	599	599	95	573	573				319323CI	
LSP CI 322x25/28W T16	300 x 1200	299	1199	95	273	1173				319243CI	
LSP CI 322x50/54W T16	300 x 1200	299	1199	95	273	1173				319383CI	
LSP CI 323x25/28W T16	600 x 1200	599	1199	95	573	1173				319253CI	
LSP CI 323x50/54W T16	600 x 1200	599	1199	95	573	1173				319393CI	
LSP CI 324x25/28W T16	600 x 1200	599	1199	95	573	1173				319263CI	
LSP CI 324x50/54W T16	600 x 1200	599	1199	95	573	1173				319403CI	
LSP CI 324x36W TC-L	600 x 600	599	599	95	573	626		319492CI		319493CI	
LSP CI 324x55W TC-L	600 x 600	599	599	95	573	626				319553CI	

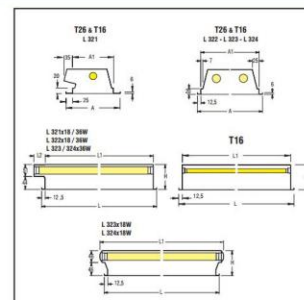
Number of the luminaire's lamps: the third digit of the first number (at the description) corresponds to the number of lamps eg 322x18W = 2x18W.

L 320 CLIP IN

L 320 CI LSPO



- Flat cover made of opal methacrylate.
- Steel frame painted in white colour, with steel springs to adapt the cover to the body of the luminaire.

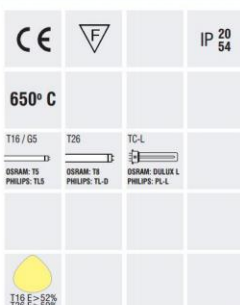
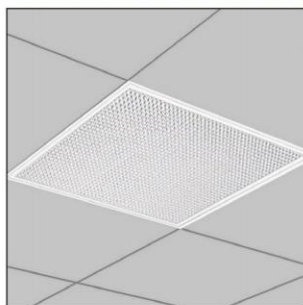


Description	For panels with structure	Dimensions						Conventional Ballast and capacitor Code		Electronic Ballast Code	
		A	L	H	A1	L1	L2				
LSPO CI 322x18W T26	<b>300 x 600</b>	299	599	95	273	573	40	310022CI		310023CI	
LSPO CI 323x18W T26	<b>600 x 600</b>	599	599	92	573	626		310032CI		310033CI	
LSPO CI 324x18W T26	<b>600 x 600</b>	599	599	92	573	626		310042CI		310043CI	
LSPO CI 322x36W T26	<b>300 x 1200</b>	299	1199	95	273	1173	50	310122CI		310123CI	
LSPO CI 323x36W T26	<b>600 x 1200</b>	599	1199	95	573	1173	50	310132CI		310133CI	
LSPO CI 324x36W T26	<b>600 x 1200</b>	599	1199	95	573	1173	50	310142CI		310143CI	
LSPO CI 322x13/14W T16	<b>300 x 600</b>	299	599	95	273	573				310183CI	
LSPO CI 322x20/24W T16	<b>300 x 600</b>	299	599	95	273	573				310303CI	
LSPO CI 323x13/14W T16	<b>600 x 600</b>	599	599	95	573	573				310193CI	
LSPO CI 323x20/24W T16	<b>600 x 600</b>	599	599	95	573	573				310313CI	
LSPO CI 324x13/14W T16	<b>600 x 600</b>	599	599	95	573	573				310203CI	
LSPO CI 324x20/24W T16	<b>600 x 600</b>	599	599	95	573	573				310323CI	
LSPO CI 322x25/28W T16	<b>300 x 1200</b>	299	1199	95	273	1173				310243CI	
LSPO CI 322x50/54W T16	<b>300 x 1200</b>	299	1199	95	273	1173				310383CI	
LSPO CI 323x25/28W T16	<b>600 x 1200</b>	599	1199	95	573	1173				310253CI	
LSPO CI 323x50/54W T16	<b>600 x 1200</b>	599	1199	95	573	1173				310393CI	
LSPO CI 324x25/28W T16	<b>600 x 1200</b>	599	1199	95	573	1173				310263CI	
LSPO CI 324x50/54W T16	<b>600 x 1200</b>	599	1199	95	573	1173				310403CI	
LSPO CI 324x36W TC-L	<b>600 x 600</b>	599	599	95	573	626		310492CI		310493CI	
LSPO CI 324x55W TC-L	<b>600 x 600</b>	599	599	95	573	626				310553CI	

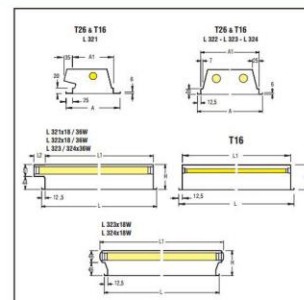
Number of the luminaire's lamps: the third digit of the first number (at the description) corresponds to the number of lamps eg 322x18W = 2x18W.

L 320 CLIP IN

L 320 CI LSP IP54



- Flat cover made of transparent prismatic methacrylate, anti-glare.
- Steel frame painted in white colour, with steel springs to adapt the cover to the body of the luminaire.
- Protection degree IP54, IP20 in the ceiling.

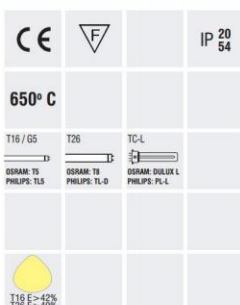
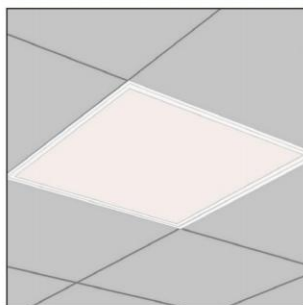


Description	For panels with structure	Dimensions						Conventional Ballast and capacitor Code	Electronic Ballast Code
		A	L	H	A1	L1	L2		
LSP CI 322x18W T26 IP54	<b>300 x 600</b>	299	599	95	273	573	40	581022CI	581023CI
LSP CI 323x18W T26 IP54	<b>600 x 600</b>	599	599	92	573	626		581032CI	581033CI
LSP CI 324x18W T26 IP54	<b>600 x 600</b>	599	599	92	573	626		581112CI	581113CI
LSP CI 322x36W T26 IP54	<b>300 x 1200</b>	299	1199	95	273	1173	50	581122CI	581123CI
LSP CI 323x36W T26 IP54	<b>600 x 1200</b>	599	1199	95	573	1173	50	581132CI	581133CI
LSP CI 324x36W T26 IP54	<b>600 x 1200</b>	599	1199	95	573	1173	50	581142CI	581143CI
LSP CI 322x13/14W T16 IP54	<b>300 x 600</b>	299	599	95	273	573			581183CI
LSP CI 322x20/24W T16 IP54	<b>300 x 600</b>	299	599	95	273	573			581303CI
LSP CI 323x13/14W T16 IP54	<b>600 x 600</b>	599	599	95	573	573			581193CI
LSP CI 323x20/24W T16 IP54	<b>600 x 600</b>	599	599	95	573	573			581313CI
LSP CI 324x13/14W T16 IP54	<b>600 x 600</b>	599	599	95	573	573			581203CI
LSP CI 324x20/24W T16 IP54	<b>600 x 600</b>	599	599	95	573	573			581323CI
LSP CI 322x25/28W T16 IP54	<b>300 x 1200</b>	299	1199	95	273	1173			581243CI
LSP CI 322x50/54W T16 IP54	<b>300 x 1200</b>	299	1199	95	273	1173			581383CI
LSP CI 323x25/28W T16 IP54	<b>600 x 1200</b>	599	1199	95	573	1173			581253CI
LSP CI 323x50/54W T16 IP54	<b>600 x 1200</b>	599	1199	95	573	1173			581393CI
LSP CI 324x25/28W T16 IP54	<b>600 x 1200</b>	599	1199	95	573	1173			581263CI
LSP CI 324x50/54W T16 IP54	<b>600 x 1200</b>	599	1199	95	573	1173			581403CI
LSP CI 324x36W TC-L IP54	<b>600 x 600</b>	599	599	95	573	626		581492CI	581493CI
LSP CI 324x55W TC-L IP54	<b>600 x 600</b>	599	599	95	573	626			581553CI

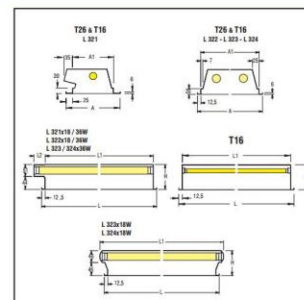
**Number of the luminaire's lamps:** the third digit of the first number (at the description) corresponds to the number of lamps eg 322x18W = 2x18W.

L 320 CLIP IN

L 320 CI LSPO IP54



- Flat cover made of opal methacrylate.
- Steel frame painted in white colour, with steel springs to adapt the cover to the body of the luminaire.
- Protection degree IP54, IP20 in the ceiling.



Description	For panels with structure	Dimensions						Conventional Ballast and capacitor Code		Electronic Ballast Code	
		A	L	H	A1	L1	L2				
LSPO CI 322x18W T26 IP54	<b>300 x 600</b>	299	599	95	273	573	40	585022CI		585023CI	
LSPO CI 323x18W T26 IP54	<b>600 x 600</b>	599	599	92	573	626		585032CI		585033CI	
LSPO CI 324x18W T26 IP54	<b>600 x 600</b>	599	599	92	573	626		585042CI		585043CI	
LSPO CI 322x36W T26 IP54	<b>300 x 1200</b>	299	1199	95	273	1173	50	585122CI		585123CI	
LSPO CI 323x36W T26 IP54	<b>600 x 1200</b>	599	1199	95	573	1173	50	585132CI		585133CI	
LSPO CI 324x36W T26 IP54	<b>600 x 1200</b>	599	1199	95	573	1173	50	585142CI		585143CI	
LSPO CI 322x13/14W T16 IP54	<b>300 x 600</b>	299	599	95	273	573				585183CI	
LSPO CI 322x20/24W T16 IP54	<b>300 x 600</b>	299	599	95	273	573				585303CI	
LSPO CI 323x13/14W T16 IP54	<b>600 x 600</b>	599	599	95	573	573				585193CI	
LSPO CI 323x20/24W T16 IP54	<b>600 x 600</b>	599	599	95	573	573				585313CI	
LSPO CI 324x13/14W T16 IP54	<b>600 x 600</b>	599	599	95	573	573				585203CI	
LSPO CI 324x20/24W T16 IP54	<b>600 x 600</b>	599	599	95	573	573				585323CI	
LSPO CI 322x25/28W T16 IP54	<b>300 x 1200</b>	299	1199	95	273	1173				585243CI	
LSPO CI 322x50/54W T16 IP54	<b>300 x 1200</b>	299	1199	95	273	1173				585383CI	
LSPO CI 323x25/28W T16 IP54	<b>600 x 1200</b>	599	1199	95	573	1173				585253CI	
LSPO CI 323x50/54W T16 IP54	<b>600 x 1200</b>	599	1199	95	573	1173				585393CI	
LSPO CI 324x25/28W T16 IP54	<b>600 x 1200</b>	599	1199	95	573	1173				585263CI	
LSPO CI 324x50/54W T16 IP54	<b>600 x 1200</b>	599	1199	95	573	1173				585403CI	
LSPO CI 324x36W TC-L IP54	<b>600 x 600</b>	599	599	95	573	626		585492CI		585493CI	
LSPO CI 324x55W TC-L IP54	<b>600 x 600</b>	599	599	95	573	626				585553CI	

**Number of the luminaire's lamps:** the third digit of the first number (at the description) corresponds to the number of lamps eg 322x18W = 2x18W.

**L 320 CLIP IN**

---