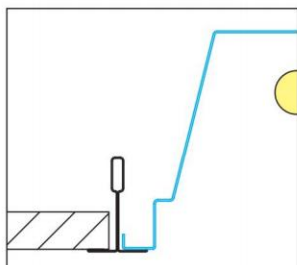


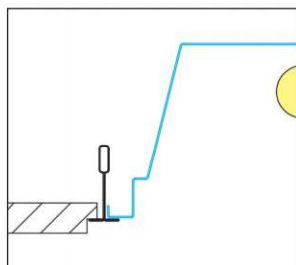
L 320



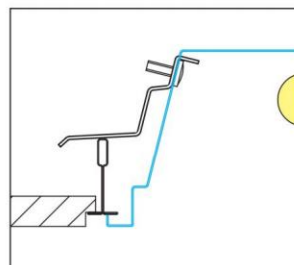
Recessed luminaires for panels in mineral fibre ceilings 600x600, 600x1200 with **exposed structure**.



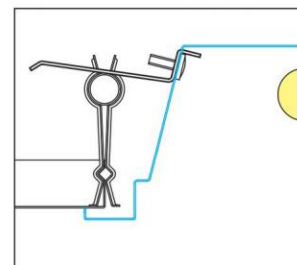
Mineral fiber panels 600x600, 600x1200 with exposed structure. Mounted by fitting on structure.



Mineral fiber panels with frame 600x600, 600x1200 with decoration in relief. Mounted by fitting on structure.



Mineral fiber panels 600x600, 600x1200 with decoration in relief. Mounting with exposed edge, using fixing brackets 15BS.



Metal panels 600x600. Mounting with exposed edge, using fixing brackets 15ZH.

Technical Features

- Luminaires for fluorescent lamps T26, T16 and compact TC-L (2G11).
- Steel body, electrostatically painted in white color.
- Connection for operation on 230V-50Hz with conventional ballast and power factor correction capacitor (lamps T26, TC-L).
- Connection for operation with electronic ballast (lamps T26, T16, TC-L).
- Connection for operation with electronic dimmable ballast (lamps T26, T16, TC-L).
- Connection for emergency lighting system (lamps T26, T16, TC-L).

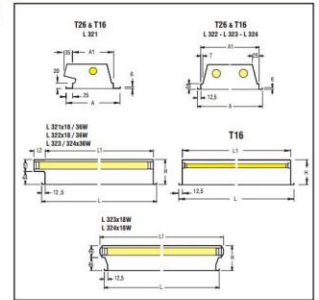
# RECESSED LUMINAIRES - PROFESSIONAL

## L 320

### L 320 LP2M

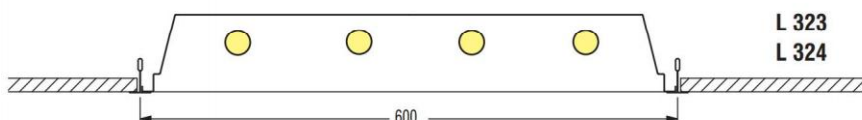
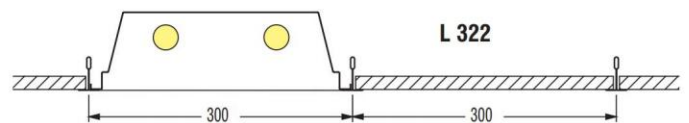
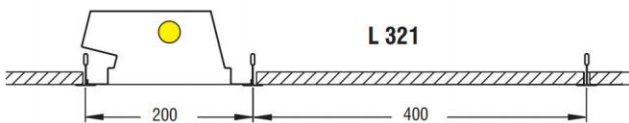


- Louvre 2M with transverse parabolic blades and longitudinal double-parabolic elements (reflectors), from anodized non iridescent specular aluminium.
- 2M louvre have illuminance  $< 200\text{cd/m}^2$  for radial angles  $> 65^\circ$ .



Description	For panels with structure	Dimensions						Conventional Ballast and capacitor Code	Electronic Ballast Code
		A	L	H	A1	L1	L2		
LP2M 321x18W T26	<b>200 x 600</b>	196	596	95	148	587	40	311012	311013
LP2M 322x18W T26	<b>300 x 600</b>	296	596	95	273	573	40	311022	311023
LP2M 323x18W T26	<b>600 x 600</b>	596	596	92	573	626		311032	311033
LP2M 324x18W T26	<b>600 x 600</b>	596	596	92	573	626		311042	311043
LP2M 321x36W T26	<b>200 x 1200</b>	196	1196	95	148	1187	50	311112	311113
LP2M 322x36W T26	<b>300 x 1200</b>	296	1196	95	273	1173	50	311122	311123
LP2M 323x36W T26	<b>600 x 1200</b>	596	1196	95	573	1173	50	311132	311133
LP2M 324x36W T26	<b>600 x 1200</b>	596	1196	95	573	1173	50	311142	311143
LP2M 321x13/14W T16	<b>200 x 600</b>	196	596	95	148	587			311173
LP2M 321x20/24W T16	<b>200 x 600</b>	196	596	95	148	587			311293
LP2M 322x13/14W T16	<b>300 x 600</b>	296	596	95	273	573			311183
LP2M 322x20/24W T16	<b>300 x 600</b>	296	596	95	273	573			311303
LP2M 323x13/14W T16	<b>600 x 600</b>	596	596	95	573	573			311193
LP2M 323x20/24W T16	<b>600 x 600</b>	596	596	95	573	573			311313
LP2M 324x13/14W T16	<b>600 x 600</b>	596	596	95	573	573			311203
LP2M 324x20/24W T16	<b>600 x 600</b>	596	596	95	573	573			311323
LP2M 321x25/28W T16	<b>200 x 1200</b>	196	1196	95	148	1187			311233
LP2M 321x50/54W T16	<b>200 x 1200</b>	196	1196	95	148	1187			311373
LP2M 322x25/28W T16	<b>300 x 1200</b>	296	1196	95	273	1173			311243
LP2M 322x50/54W T16	<b>300 x 1200</b>	296	1196	95	273	1173			311383
LP2M 323x25/28W T16	<b>600 x 1200</b>	596	1196	95	573	1173			311253
LP2M 323x50/54W T16	<b>600 x 1200</b>	596	1196	95	573	1173			311393
LP2M 324x25/28W T16	<b>600 x 1200</b>	596	1196	95	573	1173			311263
LP2M 324x50/54W T16	<b>600 x 1200</b>	596	1196	95	573	1173			311403
LP2M 324x36W TC-L	<b>600 x 600</b>	596	596	95	573	626		311492	311493
LP2M 324x55W TC-L	<b>600 x 600</b>	596	596	95	573	626			311553

**Number of the luminaire's lamps:** the third digit of the first number (at the description) corresponds to the number of lamps eg 321x18W = 1x18W.



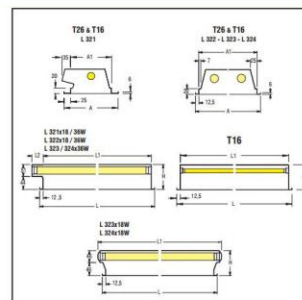
For the luminaires **L321 & L322** an extra T profile is required in the ceiling panel.

L 320

L 320 LP2S

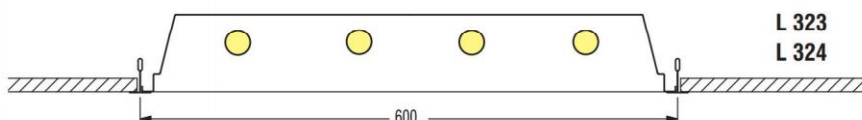
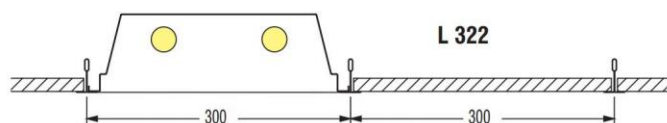
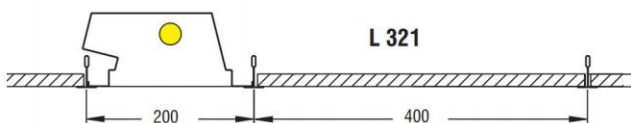


- Louvre 2S with transverse parabolic blades and longitudinal double-parabolic elements (reflectors), from anodized non iridescent semi-glossy aluminium.
- 2S louvre have illuminance <math><200\text{cd/m}^2</math> for radial angles >math>65^\circ</math>.



Description	For panels with structure	Dimensions						Conventional Ballast and capacitor		Electronic Ballast	
		A	L	H	A1	L1	L2	Code		Code	
LP2S 321x18W T26	200 x 600	196	596	95	148	587	40	312012		312013	
LP2S 322x18W T26	300 x 600	296	596	95	273	573	40	312022		312023	
LP2S 323x18W T26	600 x 600	596	596	92	573	626		312032		312033	
LP2S 324x18W T26	600 x 600	596	596	92	573	626		312042		312043	
LP2S 321x36W T26	200 x 1200	196	1196	95	148	1187	50	312112		312113	
LP2S 322x36W T26	300 x 1200	296	1196	95	273	1173	50	312122		312123	
LP2S 323x36W T26	600 x 1200	596	1196	95	573	1173	50	312132		312133	
LP2S 324x36W T26	600 x 1200	596	1196	95	573	1173	50	312142		312143	
LP2S 321x13/14W T16	200 x 600	196	596	95	148	587				312173	
LP2S 321x20/24W T16	200 x 600	196	596	95	148	587				312293	
LP2S 322x13/14W T16	300 x 600	296	596	95	273	573				312183	
LP2S 322x20/24W T16	300 x 600	296	596	95	273	573				312303	
LP2S 323x13/14W T16	600 x 600	596	596	95	573	573				312193	
LP2S 323x20/24W T16	600 x 600	596	596	95	573	573				312313	
LP2S 324x13/14W T16	600 x 600	596	596	95	573	573				312203	
LP2S 324x20/24W T16	600 x 600	596	596	95	573	573				312323	
LP2S 321x25/28W T16	200 x 1200	196	1196	95	148	1187				312233	
LP2S 321x50/54W T16	200 x 1200	196	1196	95	148	1187				312373	
LP2S 322x25/28W T16	300 x 1200	296	1196	95	273	1173				312243	
LP2S 322x50/54W T16	300 x 1200	296	1196	95	273	1173				312383	
LP2S 323x25/28W T16	600 x 1200	596	1196	95	573	1173				312253	
LP2S 323x50/54W T16	600 x 1200	596	1196	95	573	1173				312393	
LP2S 324x25/28W T16	600 x 1200	596	1196	95	573	1173				312263	
LP2S 324x50/54W T16	600 x 1200	596	1196	95	573	1173				312403	
LP2S 324x36W TC-L	600 x 600	596	596	95	573	626		312492		312493	
LP2S 324x55W TC-L	600 x 600	596	596	95	573	626				312553	

Number of the luminaire's lamps: the third digit of the first number (at the description) corresponds to the number of lamps eg 321x18W = 1x18W.



For the luminaires L321 & L322 an extra T profile is required in the ceiling panel.

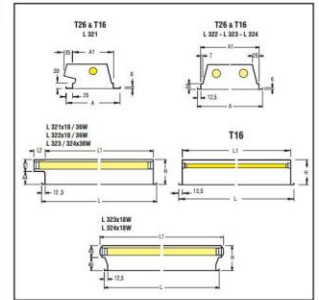
# RECESSED LUMINAIRES - PROFESSIONAL

## L 320

### L 320 LP3M

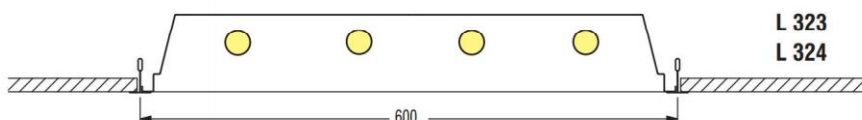
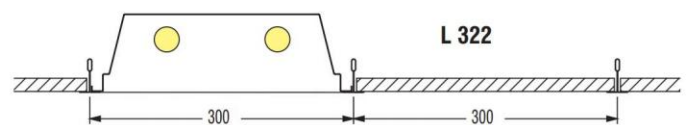
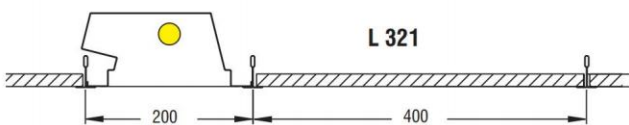


- Louvre 3M with transverse parabolic blades and longitudinal double-parabolic elements (reflectors), with square cell section, from anodized non iridescent specular aluminium.



Description	For panels with structure	Dimensions						Conventional Ballast and capacitor Code	Electronic Ballast Code
		A	L	H	A1	L1	L2		
LP3M 321x18W T26	<b>200 x 600</b>	196	596	95	148	587	40	313012	313013
LP3M 322x18W T26	<b>300 x 600</b>	296	596	95	273	573	40	313022	313023
LP3M 323x18W T26	<b>600 x 600</b>	596	596	92	573	626		313032	313033
LP3M 324x18W T26	<b>600 x 600</b>	596	596	92	573	626		313042	313043
LP3M 321x36W T26	<b>200 x 1200</b>	196	1196	95	148	1187	50	313112	313113
LP3M 322x36W T26	<b>300 x 1200</b>	296	1196	95	273	1173	50	313122	313123
LP3M 323x36W T26	<b>600 x 1200</b>	596	1196	95	573	1173	50	313132	313133
LP3M 324x36W T26	<b>600 x 1200</b>	596	1196	95	573	1173	50	313142	313143
LP3M 321x13/14W T16	<b>200 x 600</b>	196	596	95	148	587			313173
LP3M 321x20/24W T16	<b>200 x 600</b>	196	596	95	148	587			313293
LP3M 322x13/14W T16	<b>300 x 600</b>	296	596	95	273	573			313183
LP3M 322x20/24W T16	<b>300 x 600</b>	296	596	95	273	573			313303
LP3M 323x13/14W T16	<b>600 x 600</b>	596	596	95	573	573			313193
LP3M 323x20/24W T16	<b>600 x 600</b>	596	596	95	573	573			313313
LP3M 324x13/14W T16	<b>600 x 600</b>	596	596	95	573	573			313203
LP3M 324x20/24W T16	<b>600 x 600</b>	596	596	95	573	573			313323
LP3M 321x25/28W T16	<b>200 x 1200</b>	196	1196	95	148	1187			313233
LP3M 321x50/54W T16	<b>200 x 1200</b>	196	1196	95	148	1187			313373
LP3M 322x25/28W T16	<b>300 x 1200</b>	296	1196	95	273	1173			313243
LP3M 322x50/54W T16	<b>300 x 1200</b>	296	1196	95	273	1173			313383
LP3M 323x25/28W T16	<b>600 x 1200</b>	596	1196	95	573	1173			313253
LP3M 323x50/54W T16	<b>600 x 1200</b>	596	1196	95	573	1173			313393
LP3M 324x25/28W T16	<b>600 x 1200</b>	596	1196	95	573	1173			313263
LP3M 324x50/54W T16	<b>600 x 1200</b>	596	1196	95	573	1173			313403
LP3M 324x36W TC-L	<b>600 x 600</b>	596	596	95	573	626		313492	313493
LP3M 324x55W TC-L	<b>600 x 600</b>	596	596	95	573	626			313553

**Number of the luminaire's lamps:** the third digit of the first number (at the description) corresponds to the number of lamps eg 321x18W = 1x18W.



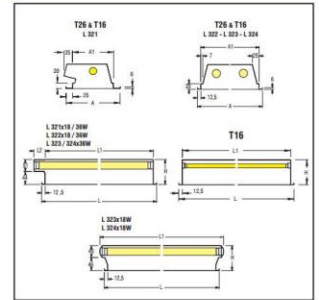
For the luminaires **L321 & L322** an extra T profile is required in the ceiling panel.

L 320

L 320 LP3V

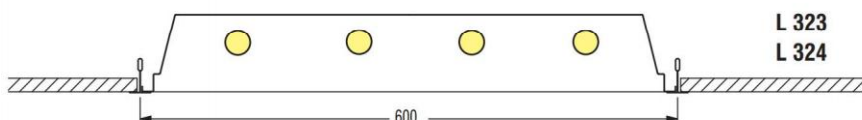
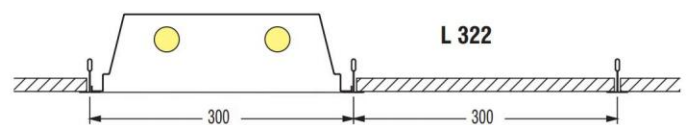
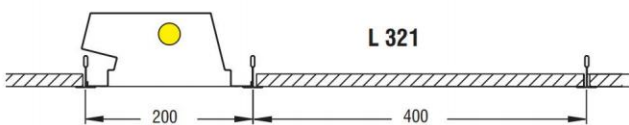


- Louvre 3V with transverse parabolic blades and longitudinal double-parabolic elements (reflectors), with square cell section in white painted steel.



Description	For panels with structure	Dimensions						Conventional Ballast and capacitor		Electronic Ballast	
		A	L	H	A1	L1	L2	Code		Code	
LP3V 321x18W T26	200 x 600	196	596	95	148	587	40	314012		314013	
LP3V 322x18W T26	300 x 600	296	596	95	273	573	40	314022		314023	
LP3V 323x18W T26	600 x 600	596	596	92	573	626		314032		314033	
LP3V 324x18W T26	600 x 600	596	596	92	573	626		314042		314043	
LP3V 321x36W T26	200 x 1200	196	1196	95	148	1187	50	314112		314113	
LP3V 322x36W T26	300 x 1200	296	1196	95	273	1173	50	314122		314123	
LP3V 323x36W T26	600 x 1200	596	1196	95	573	1173	50	314132		314133	
LP3V 324x36W T26	600 x 1200	596	1196	95	573	1173	50	314142		314143	
LP3V 321x13/14W T16	200 x 600	196	596	95	148	587				314173	
LP3V 321x20/24W T16	200 x 600	196	596	95	148	587				314293	
LP3V 322x13/14W T16	300 x 600	296	596	95	273	573				314183	
LP3V 322x20/24W T16	300 x 600	296	596	95	273	573				314303	
LP3V 323x13/14W T16	600 x 600	596	596	95	573	573				314193	
LP3V 323x20/24W T16	600 x 600	596	596	95	573	573				314313	
LP3V 324x13/14W T16	600 x 600	596	596	95	573	573				314203	
LP3V 324x20/24W T16	600 x 600	596	596	95	573	573				314323	
LP3V 321x25/28W T16	200 x 1200	196	1196	95	148	1187				314233	
LP3V 321x50/54W T16	200 x 1200	196	1196	95	148	1187				314373	
LP3V 322x25/28W T16	300 x 1200	296	1196	95	273	1173				314243	
LP3V 322x50/54W T16	300 x 1200	296	1196	95	273	1173				314383	
LP3V 323x25/28W T16	600 x 1200	596	1196	95	573	1173				314253	
LP3V 323x50/54W T16	600 x 1200	596	1196	95	573	1173				314393	
LP3V 324x25/28W T16	600 x 1200	596	1196	95	573	1173				314263	
LP3V 324x50/54W T16	600 x 1200	596	1196	95	573	1173				314403	
LP3V 324x36W TC-L	600 x 600	596	596	95	573	626		314492		314493	
LP3V 324x55W TC-L	600 x 600	596	596	95	573	626				314553	

Number of the luminaire's lamps: the third digit of the first number (at the description) corresponds to the number of lamps eg 321x18W = 1x18W.



For the luminaires L321 & L322 an extra T profile is required in the ceiling panel.

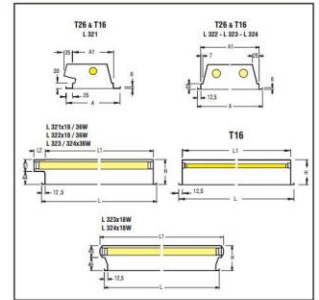
# RECESSED LUMINAIRES - PROFESSIONAL

## L 320

### L 320 LSP

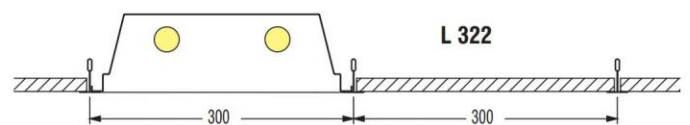
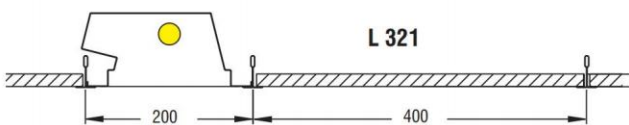


- Flat cover made of transparent prismatic methacrylate, anti-glare.
- Steel frame painted in white colour, with steel springs to adapt the cover to the body of the luminaire.



Description	For panels with structure	Dimensions						Conventional Ballast and capacitor Code	Electronic Ballast Code
		A	L	H	A1	L1	L2		
LSP 321x18W T26	<b>200 x 600</b>	196	596	95	148	587	40	319012	319013
LSP 322x18W T26	<b>300 x 600</b>	296	596	95	273	573	40	319022	319023
LSP 323x18W T26	<b>600 x 600</b>	596	596	92	573	626		319032	319033
LSP 324x18W T26	<b>600 x 600</b>	596	596	92	573	626		319042	319043
LSP 321x36W T26	<b>200 x 1200</b>	196	1196	95	148	1187	50	319112	319113
LSP 322x36W T26	<b>300 x 1200</b>	296	1196	95	273	1173	50	319122	319123
LSP 323x36W T26	<b>600 x 1200</b>	596	1196	95	573	1173	50	319132	319133
LSP 324x36W T26	<b>600 x 1200</b>	596	1196	95	573	1173	50	319142	319143
LSP 321x13/14W T16	<b>200 x 600</b>	196	596	95	148	587			319173
LSP 321x20/24W T16	<b>200 x 600</b>	196	596	95	148	587			319293
LSP 322x13/14W T16	<b>300 x 600</b>	296	596	95	273	573			319183
LSP 322x20/24W T16	<b>300 x 600</b>	296	596	95	273	573			319303
LSP 323x13/14W T16	<b>600 x 600</b>	596	596	95	573	573			319193
LSP 323x20/24W T16	<b>600 x 600</b>	596	596	95	573	573			319313
LSP 324x13/14W T16	<b>600 x 600</b>	596	596	95	573	573			319203
LSP 324x20/24W T16	<b>600 x 600</b>	596	596	95	573	573			319323
LSP 321x25/28W T16	<b>200 x 1200</b>	196	1196	95	148	1187			319233
LSP 321x50/54W T16	<b>200 x 1200</b>	196	1196	95	148	1187			319373
LSP 322x25/28W T16	<b>300 x 1200</b>	296	1196	95	273	1173			319243
LSP 322x50/54W T16	<b>300 x 1200</b>	296	1196	95	273	1173			319383
LSP 323x25/28W T16	<b>600 x 1200</b>	596	1196	95	573	1173			319253
LSP 323x50/54W T16	<b>600 x 1200</b>	596	1196	95	573	1173			319393
LSP 324x25/28W T16	<b>600 x 1200</b>	596	1196	95	573	1173			319263
LSP 324x50/54W T16	<b>600 x 1200</b>	596	1196	95	573	1173			319403
LSP 324x36W TC-L	<b>600 x 600</b>	596	596	95	573	626		319492	319493
LSP 324x55W TC-L	<b>600 x 600</b>	596	596	95	573	626			319553

**Number of the luminaire's lamps:** the third digit of the first number (at the description) corresponds to the number of lamps eg 321x18W = 1x18W.



For the luminaires **L321 & L322** an extra T profile is required in the ceiling panel.

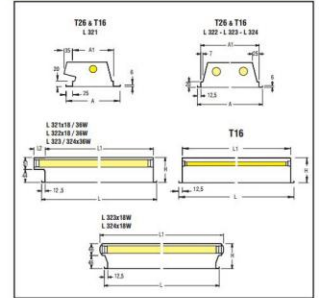
# RECESSED LUMINAIRES - PROFESSIONAL

## L 320

### L 320 LSP0

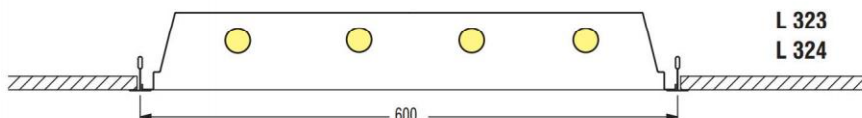
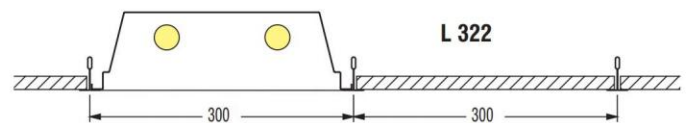
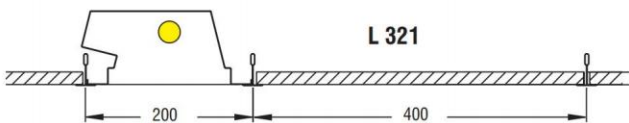


- Flat cover made of opal methacrylate.
- Steel frame painted in white colour, with steel springs to adapt the cover to the body of the luminaire.



Description	For panels with structure	Dimensions						Conventional Ballast and capacitor Code	Electronic Ballast Code
		A	L	H	A1	L1	L2		
LSP0 321x18W T26	<b>200 x 600</b>	196	596	95	148	587	40	310012	310013
LSP0 322x18W T26	<b>300 x 600</b>	296	596	95	273	573	40	310022	310023
LSP0 323x18W T26	<b>600 x 600</b>	596	596	92	573	626		310032	310033
LSP0 324x18W T26	<b>600 x 600</b>	596	596	92	573	626		310042	310043
LSP0 321x36W T26	<b>200 x 1200</b>	196	1196	95	148	1187	50	310112	310113
LSP0 322x36W T26	<b>300 x 1200</b>	296	1196	95	273	1173	50	310122	310123
LSP0 323x36W T26	<b>600 x 1200</b>	596	1196	95	573	1173	50	310132	310133
LSP0 324x36W T26	<b>600 x 1200</b>	596	1196	95	573	1173	50	310142	310143
LSP0 321x13/14W T16	<b>200 x 600</b>	196	596	95	148	587			310173
LSP0 321x20/24W T16	<b>200 x 600</b>	196	596	95	148	587			310293
LSP0 322x13/14W T16	<b>300 x 600</b>	296	596	95	273	573			310183
LSP0 322x20/24W T16	<b>300 x 600</b>	296	596	95	273	573			310303
LSP0 323x13/14W T16	<b>600 x 600</b>	596	596	95	573	573			310193
LSP0 323x20/24W T16	<b>600 x 600</b>	596	596	95	573	573			310313
LSP0 324x13/14W T16	<b>600 x 600</b>	596	596	95	573	573			310203
LSP0 324x20/24W T16	<b>600 x 600</b>	596	596	95	573	573			310323
LSP0 321x25/28W T16	<b>200 x 1200</b>	196	1196	95	148	1187			310233
LSP0 321x50/54W T16	<b>200 x 1200</b>	196	1196	95	148	1187			310373
LSP0 322x25/28W T16	<b>300 x 1200</b>	296	1196	95	273	1173			310243
LSP0 322x50/54W T16	<b>300 x 1200</b>	296	1196	95	273	1173			310383
LSP0 323x25/28W T16	<b>600 x 1200</b>	596	1196	95	573	1173			310253
LSP0 323x50/54W T16	<b>600 x 1200</b>	596	1196	95	573	1173			310393
LSP0 324x25/28W T16	<b>600 x 1200</b>	596	1196	95	573	1173			310263
LSP0 324x50/54W T16	<b>600 x 1200</b>	596	1196	95	573	1173			310403
LSP0 324x36W TC-L	<b>600 x 600</b>	596	596	95	573	626		310492	310493
LSP0 324x55W TC-L	<b>600 x 600</b>	596	596	95	573	626			310553

**Number of the luminaire's lamps:** the third digit of the first number (at the description) corresponds to the number of lamps eg 321x18W = 1x18W.



For the luminaires **L321 & L322** an extra T profile is required in the ceiling panel.

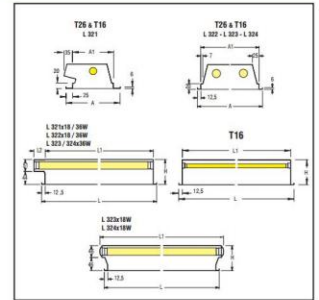
# RECESSED LUMINAIRES - PROFESSIONAL

## L 320

### L 320 LSP IP54

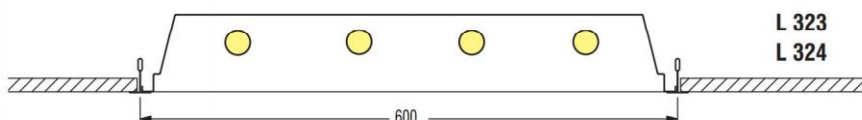
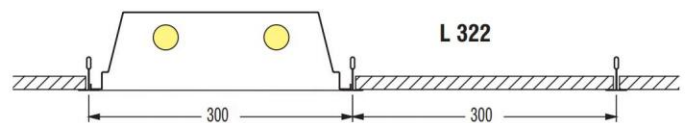
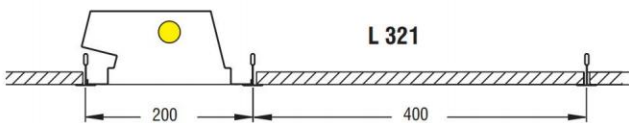


- Flat cover made of transparent prismatic methacrylate, anti-glare.
- Steel frame painted in white colour, with steel springs to adapt the cover to the body of the luminaire.
- Protection degree IP54, IP20 in the ceiling.



Description	For panels with structure	Dimensions						Conventional Ballast and capacitor Code		Electronic Ballast Code	
		A	L	H	A1	L1	L2				
LSP 321x18W T26 IP54	200 x 600	196	596	95	148	587	40	581012		581013	
LSP 322x18W T26 IP54	300 x 600	296	596	95	273	573	40	581022		581023	
LSP 323x18W T26 IP54	600 x 600	596	596	92	573	626		581032		581033	
LSP 324x18W T26 IP54	600 x 600	596	596	92	573	626		581042		581043	
LSP 321x36W T26 IP54	200 x 1200	196	1196	95	148	1187	50	581112		581113	
LSP 322x36W T26 IP54	300 x 1200	296	1196	95	273	1173	50	581122		581123	
LSP 323x36W T26 IP54	600 x 1200	596	1196	95	573	1173	50	581132		581133	
LSP 324x36W T26 IP54	600 x 1200	596	1196	95	573	1173	50	581142		581143	
LSP 321x13/14W T16 IP54	200 x 600	196	596	95	148	587				581173	
LSP 321x20/24W T16 IP54	200 x 600	196	596	95	148	587				581293	
LSP 322x13/14W T16 IP54	300 x 600	296	596	95	273	573				581183	
LSP 322x20/24W T16 IP54	300 x 600	296	596	95	273	573				581303	
LSP 323x13/14W T16 IP54	600 x 600	596	596	95	573	573				581193	
LSP 323x20/24W T16 IP54	600 x 600	596	596	95	573	573				581313	
LSP 324x13/14W T16 IP54	600 x 600	596	596	95	573	573				581203	
LSP 324x20/24W T16 IP54	600 x 600	596	596	95	573	573				581323	
LSP 321x25/28W T16 IP54	200 x 1200	196	1196	95	148	1187				581233	
LSP 321x50/54W T16 IP54	200 x 1200	196	1196	95	148	1187				581373	
LSP 322x25/28W T16 IP54	300 x 1200	296	1196	95	273	1173				581243	
LSP 322x50/54W T16 IP54	300 x 1200	296	1196	95	273	1173				581383	
LSP 323x25/28W T16 IP54	600 x 1200	596	1196	95	573	1173				581253	
LSP 323x50/54W T16 IP54	600 x 1200	596	1196	95	573	1173				581393	
LSP 324x25/28W T16 IP54	600 x 1200	596	1196	95	573	1173				581263	
LSP 324x50/54W T16 IP54	600 x 1200	596	1196	95	573	1173				581403	
LSP 324x36W TC-L IP54	600 x 600	596	596	95	573	626		581492		581493	
LSP 324x55W TC-L IP54	600 x 600	596	596	95	573	626				581553	

**Number of the luminaire's lamps:** the third digit of the first number (at the description) corresponds to the number of lamps eg 321x18W = 1x18W.



For the luminaires **L321 & L322** an extra T profile is required in the ceiling panel.



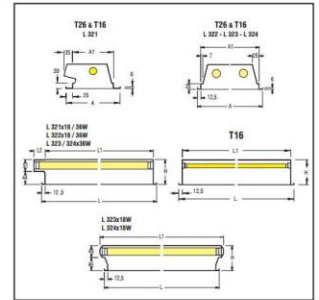
# RECESSED LUMINAIRES - PROFESSIONAL

## L 320

### L 320 LSPO IP54

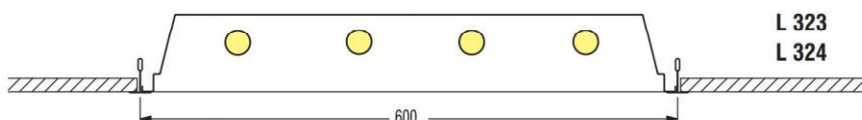
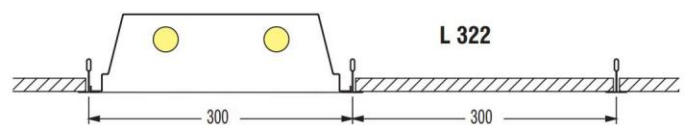
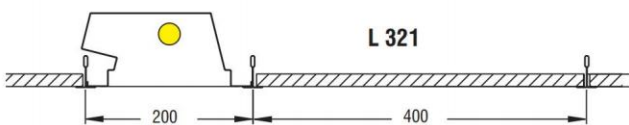


- Flat cover made of opal methacrylate.
- Steel frame painted in white colour, with steel springs to adapt the cover to the body of the luminaire.
- Protection degree IP54, IP20 in the ceiling.



Description	For panels with structure	Dimensions							Conventional Ballast and capacitor Code	Electronic Ballast Code
		A	L	H	A1	L1	L2			
LSPO 321x18W T26 IP54	<b>200 x 600</b>	196	596	95	148	587	40	585012	585013	
LSPO 322x18W T26 IP54	<b>300 x 600</b>	296	596	95	273	573	40	585022	585023	
LSPO 323x18W T26 IP54	<b>600 x 600</b>	596	596	92	573	626		585032	585033	
LSPO 324x18W T26 IP54	<b>600 x 600</b>	596	596	92	573	626		585042	585043	
LSPO 321x36W T26 IP54	<b>200 x 1200</b>	196	1196	95	148	1187	50	585112	585113	
LSPO 322x36W T26 IP54	<b>300 x 1200</b>	296	1196	95	273	1173	50	585122	585123	
LSPO 323x36W T26 IP54	<b>600 x 1200</b>	596	1196	95	573	1173	50	585132	585133	
LSPO 324x36W T26 IP54	<b>600 x 1200</b>	596	1196	95	573	1173	50	585142	585143	
LSPO 321x13/14W T16 IP54	<b>200 x 600</b>	196	596	95	148	587			585173	
LSPO 321x20/24W T16 IP54	<b>200 x 600</b>	196	596	95	148	587			585293	
LSPO 322x13/14W T16 IP54	<b>300 x 600</b>	296	596	95	273	573			585183	
LSPO 322x20/24W T16 IP54	<b>300 x 600</b>	296	596	95	273	573			585303	
LSPO 323x13/14W T16 IP54	<b>600 x 600</b>	596	596	95	573	573			585193	
LSPO 323x20/24W T16 IP54	<b>600 x 600</b>	596	596	95	573	573			585313	
LSPO 324x13/14W T16 IP54	<b>600 x 600</b>	596	596	95	573	573			585203	
LSPO 324x20/24W T16 IP54	<b>600 x 600</b>	596	596	95	573	573			585323	
LSPO 321x25/28W T16 IP54	<b>200 x 1200</b>	196	1196	95	148	1187			585233	
LSPO 321x50/54W T16 IP54	<b>200 x 1200</b>	196	1196	95	148	1187			585373	
LSPO 322x25/28W T16 IP54	<b>300 x 1200</b>	296	1196	95	273	1173			585243	
LSPO 322x50/54W T16 IP54	<b>300 x 1200</b>	296	1196	95	273	1173			585383	
LSPO 323x25/28W T16 IP54	<b>600 x 1200</b>	596	1196	95	573	1173			585253	
LSPO 323x50/54W T16 IP54	<b>600 x 1200</b>	596	1196	95	573	1173			585393	
LSPO 324x25/28W T16 IP54	<b>600 x 1200</b>	596	1196	95	573	1173			585263	
LSPO 324x50/54W T16 IP54	<b>600 x 1200</b>	596	1196	95	573	1173			585403	
LSPO 324x36W TC-L IP54	<b>600 x 600</b>	596	596	95	573	626		585492	585493	
LSPO 324x55W TC-L IP54	<b>600 x 600</b>	596	596	95	573	626			585553	

**Number of the luminaire's lamps:** the third digit of the first number (at the description) corresponds to the number of lamps eg 321x18W = 1x18W.



For the luminaires **L321 & L322** an extra T profile is required in the ceiling panel.

L 320

