

L 590 RVS / L 590 OVS



Luminaires suitable for **surgeries, pharmaceutical, chemical laboratories, aseptic rooms, sterilized rooms, platform-roof, underpasses.**

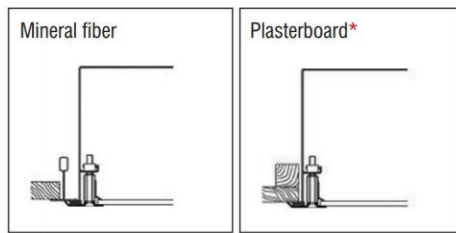
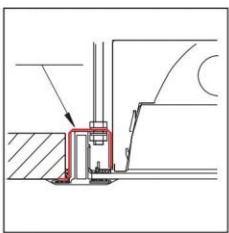
Recommended mounting for luminaires with T26 lamps:

Mounting of the frame (independently of the body) with suspension rails from the standard ceiling.

Recommended mounting for luminaires with T16 lamps:

Mounting of the inner body (independently of the frame) with suspension rails from the standard ceiling.

Ability to mount also at mineral fiber 600x600, 1200x600.



* For Plasterboard mounting please advice our Sales Department

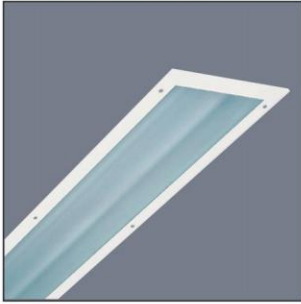
Technical Features

- Luminaires for fluorescent lamps T26 & T16.
- Steel body, electrostatically painted in white color.
- Mistlite protection glass, thickness 6mm, mounted on perimeter frame, from white colour aluminium, with high-strength seal rubber. The frame is secured to the body with stainless steel screws.
- Connection for operation on 230V-50Hz with conventional ballast and power factor correction capacitor (lamp T26).
- Connection for operation on 230V-50Hz with electronic ballast (lamps T26, T16).
- Connection for operation with electronic dimmable ballast (lamps T26, T16).
- Connection for emergency lighting system (lamps T26, T16).

RECESSED LUMINAIRES - PROFESSIONAL

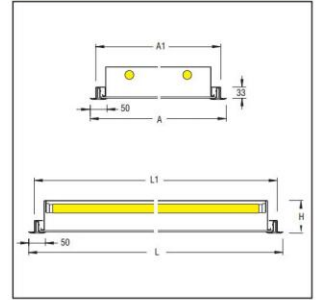
L 590 RVS / L 590 OVS

LSV



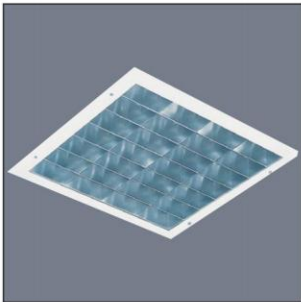
CE	F	IP 65
950° C	6,5 J	
T16 / G5	T26	
OSRAM: T5 PHILIPS: TL5	OSRAM: T8 PHILIPS: TL-D	

- Reflector from anodized semi-specular aluminium.



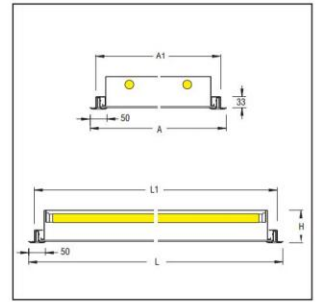
Description	Dimensions					Conventional Ballast and capacitor		Electronic Ballast	
	A	L	H	A1	L1	Code		Code	
L 594x18W T26 RVS	665	698	100	631	665	391042		391043	
L 592x36W T26 RVS	355	1324	100	321	1290	391122		391123	
L 592x58W T26 RVS	355	1624	100	321	1590	391162		391163	
L 593x36W T26 RVS	355	1324	100	321	1290	391132		391133	
L 594x13/14W T16 RVS	599	599	94	568	568			391203	
L 594x20/24W T16 RVS	599	599	94	568	568			391323	
L 592x25/28W T16 RVS	299	1199	94	268	1168			391243	
L 592x50/54W T16 RVS	299	1199	94	268	1168			391393	
L 592x45/49W T16 RVS	299	1499	94	268	1468			391363	
L 592x73/80W T16 RVS	299	1499	94	268	1468			391433	
L 593x25/28W T16 RVS	299	1199	94	268	1168			391253	
L 593x50/54W T16 RVS	299	1199	94	268	1168			391403	
L 593x45/49W T16 RVS	299	1499	94	268	1468			391373	
L 593x73/80W T16 RVS	299	1499	94	268	1468			391443	
L 594x25/28W T16 RVS	599	1199	94	568	1168			391263	
L 594x50/54W T16 RVS	599	1199	94	568	1168			391413	

OVS



CE	F	IP 65
950° C	6,5 J	
T16 / G5	T26	
OSRAM: T5 PHILIPS: TL5	OSRAM: T8 PHILIPS: TL-D	

- Louvre with transverse parabolic blades and longitudinal double-parabolic elements (reflectors), from anodized non-iridescent semi-specular aluminium (non-reflecting).



Description	Dimensions					Conventional Ballast and capacitor		Electronic Ballast	
	A	L	H	A1	L1	Code		Code	
L 594x18W T26 OVS	665	698	100	631	665	392042		392043	
L 592x36W T26 OVS	355	1324	100	321	1290	392122		392123	
L 592x58W T26 OVS	355	1624	100	321	1590	392162		392163	
L 594x13/14W T16 OVS	599	599	94	568	568			392203	
L 594x20/24W T16 OVS	599	599	94	568	568			392303	
L 592x25/28W T16 OVS	299	1199	94	268	1168			392243	
L 592x50/54W T16 OVS	299	1199	94	268	1168			392363	
L 592x45/49W T16 OVS	299	1499	94	268	1468			392343	
L 592x73/80W T16 OVS	299	1499	94	268	1468			392403	

Number of the luminaire's lamps: the third digit of the first number (at the description) corresponds to the number of lamps eg 324x18W = 4x18W.

Note: For installing of the luminaires in plasterboard the hole dimension is represented by **A1 x L1**.

L 590 RVS / L 590 OVS

