

## STREAMLIGHT FRAME



The unique anaglyph frame gives STREAMLIGHT FRAME a strong architectural identity. This, in combination with the perfect lighting conditions without annoying reflections, make this luminaire suitable for many different working areas (offices, houses, entrance areas etc). Uniformly illuminated lines with no dark shadows can be created thanks to the "tetris" installation of the T16 fluorescent lamps. The LED version escapes the restrictions of the T16 fluorescent lamps, by using LED lighting points that can have any spacing pitch, and this gives the light line enormous flexibility. The visual benefit: The continuous-row system is illuminated absolutely uniformly from beginning to end, is economically efficient, maintenance free and it has long service-life.

### Technical Features

- Housing from aluminium profile, painted electrostatically in selected colour.
- High efficient diffuser in opal PMMA.
- Flow recuperator in white colour.

#### Upon request

- Connection for operation with electronic dimmable ballast.

#### For LED Version

- Pure light without IR/UV radiation.
- Efficient thermal management.
- Up to 28W/m and 3864 Lm luminous flux range.
- Operation life: 50,000 hours with efficiency > 70% of the initial luminous flux.
- Connection for operation on 230V/50Hz.

#### Upon request:

Available with highest colour rendering index (CRI)

STREAMLIGHT FRAME

STREAMLIGHT FRAME TETRIS



CE F IP 43

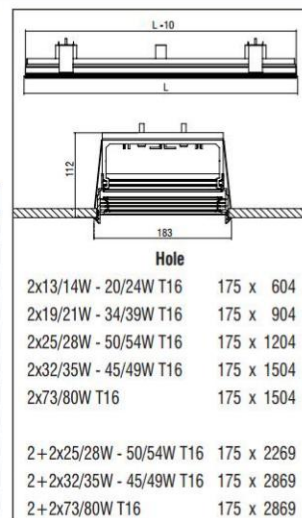
T16

OSRAM T5 PHILIPS T15

Included

- Version for T16.
- Aluminium body.
- High efficient diffuser in opal PMMA.
- Flow recuperator in white colour.
- Suspension brackets not included.

Code	Description	L	Kg
94437	Streamlight Frame Tetris 2x13/14W T16	610	2,140
94439	Streamlight Frame Tetris 2x20/24W T16	610	2,140
94441	Streamlight Frame Tetris 2x19/21W T16	910	3,190
94443	Streamlight Frame Tetris 2x34/39W T16	910	3,190
94445	Streamlight Frame Tetris 2x25/28W T16	1210	4,240
94447	Streamlight Frame Tetris 2x50/54W T16	1210	4,240
94449	Streamlight Frame Tetris 2x32/35W T16	1510	5,290
94451	Streamlight Frame Tetris 2x45/49W T16	1510	5,290
94453	Streamlight Frame Tetris 2x73/80W T16	1510	5,290
94463	Streamlight Frame Tetris 2+ 2x25/28W T16	2275	7,970
94465	Streamlight Frame Tetris 2+ 2x50/54W T16	2275	7,970
94467	Streamlight Frame Tetris 2+ 2x32/35W T16	2875	10,070
94469	Streamlight Frame Tetris 2+ 2x45/49W T16	2875	10,070
94471	Streamlight Frame Tetris 2+ 2x73/80W T16	2875	10,070



STREAMLIGHT FRAME LED



CE F IP 43

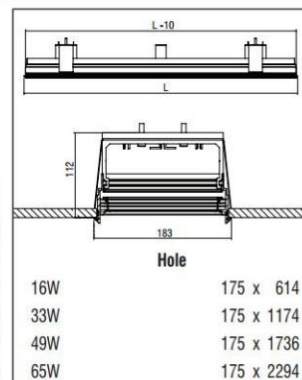
LED

25°C

Included

- Version for LED CHIP.
- Aluminium body.
- High efficient diffuser in opal PMMA.
- Flow recuperator in white colour.
- Suspension brackets not included.
- Efficiency: max.138 Lumen / Watt.

Code	Description	L	Kg
94473	Streamlight Frame Led 16W 2200 lm Neutral	620	2,170
94474	Streamlight Frame Led 33W 4400 lm Neutral	1180	4,130
94475	Streamlight Frame Led 49W 6600 lm Neutral	1740	6,090
94476	Streamlight Frame Led 65W 8800 lm Neutral	2300	8,050
94477	Streamlight Frame Led 16W 2200 lm Warm	620	2,170
94478	Streamlight Frame Led 33W 4400 lm Warm	1180	4,130
94479	Streamlight Frame Led 49W 6600 lm Warm	1740	6,090
94480	Streamlight Frame Led 65W 8800 lm Warm	2300	8,050



Colour Codes:

- 0 Colours 1 White 2 Titan 3 Black 5 matt Alum.

STREAMLIGHT FRAME

STREAMLIGHT FRAME ANAGLYPH



CE F IP 43

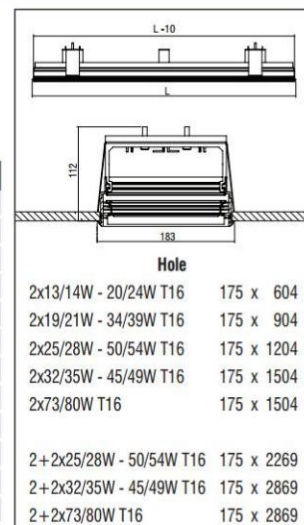
T16

OSRAM: T5 PHILIPS: T15

Included

- Version for T16.
- Aluminium body.
- Diffuser in opal of 10mm PMMA.
- Flow recuperator in white colour.
- Suspension brackets not included.

Code	Description	L	Kg
94537	Streamlight Frame Anaglyph 2x13/14W T16	610	3,090
94539	Streamlight Frame Anaglyph 2x20/24W T16	610	3,090
94541	Streamlight Frame Anaglyph 2x19/21W T16	910	4,610
94543	Streamlight Frame Anaglyph 2x34/39W T16	910	4,610
94545	Streamlight Frame Anaglyph 2x25/28W T16	1210	6,130
94547	Streamlight Frame Anaglyph 2x50/54W T16	1210	6,130
94549	Streamlight Frame Anaglyph 2x32/35W T16	1510	7,610
94551	Streamlight Frame Anaglyph 2x45/49W T16	1510	7,610
94553	Streamlight Frame Anaglyph 2x73/80W T16	1510	7,610
94563	Streamlight Frame Anaglyph 2+2x25/28W T16	2275	6,370
94565	Streamlight Frame Anaglyph 2+2x50/54W T16	2275	6,370
94567	Streamlight Frame Anaglyph 2+2x32/35W T16	2875	8,050
94569	Streamlight Frame Anaglyph 2+2x45/49W T16	2875	8,050
94571	Streamlight Frame Anaglyph 2+2x73/80W T16	2875	8,050



STREAMLIGHT FRAME ANAGLYPH LED



CE F IP 43

LED

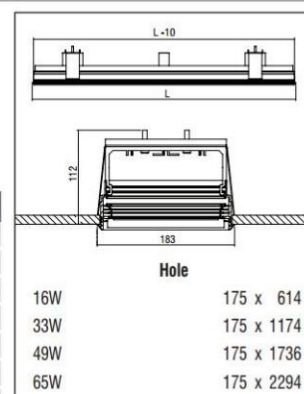
5 YEAR WARRANTY

ta 25°C

Included

- Version for LED CHIP.
- Aluminium body.
- Diffuser in opal of 10mm PMMA.
- Flow recuperator in white colour.
- Suspension brackets not included.
- Efficiency: max.138 Lumen / Watt.

Code	Description	L	Kg
94573	Streamlight Frame Anaglyph Led 16W 2200 lm Neutral	620	3,140
94574	Streamlight Frame Anaglyph Led 33W 4400 lm Neutral	1180	5,970
94575	Streamlight Frame Anaglyph Led 49W 6600 lm Neutral	1740	8,810
94576	Streamlight Frame Anaglyph Led 65W 8800 lm Neutral	2300	11,640
94577	Streamlight Frame Anaglyph Led 16W 2200 lm Warm	620	3,140
94578	Streamlight Frame Anaglyph Led 33W 4400 lm Warm	1180	5,970
94579	Streamlight Frame Anaglyph Led 49W 6600 lm Warm	1740	8,810
94580	Streamlight Frame Anaglyph Led 65W 8800 lm Warm	2300	11,640

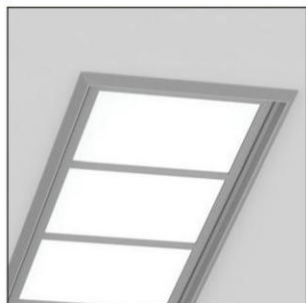


Colour Codes:

- 0 Colours 1 White 2 Titan 3 Black 5 matt Alum.

STREAMLIGHT FRAME

STREAMLIGHT FRAME PLEXI OPAL CARRE



CE F IP 43

T16

OSRAM T5 PHILIPS T15

Included

- Version for T16.
- Aluminium body.
- High efficient diffuser in opal PMMA.
- Flow recuperator in white colour.
- Suspension brackets not included.

Code	Description	L	Kg
94737	Streamlight Frame Plexi Opal Carré 2x13/14W T16	610	2,140
94739	Streamlight Frame Plexi Opal Carré 2x20/24W T16	610	2,140
94741	Streamlight Frame Plexi Opal Carré 2x19/21W T16	910	3,190
94743	Streamlight Frame Plexi Opal Carré 2x34/39W T16	910	3,190
94745	Streamlight Frame Plexi Opal Carré 2x25/28W T16	1210	4,240
94747	Streamlight Frame Plexi Opal Carré 2x50/54W T16	1210	4,240
94749	Streamlight Frame Plexi Opal Carré 2x32/35W T16	1510	5,290
94751	Streamlight Frame Plexi Opal Carré 2x45/49W T16	1510	5,290
94753	Streamlight Frame Plexi Opal Carré 2x73/80W T16	1510	5,290
94763	Streamlight Frame Plexi Opal Carré 2+2x25/28W T16	2275	7,970
94765	Streamlight Frame Plexi Opal Carré 2+2x50/54W T16	2275	7,970
94767	Streamlight Frame Plexi Opal Carré 2+2x32/35W T16	2875	10,070
94769	Streamlight Frame Plexi Opal Carré 2+2x45/49W T16	2875	10,070
94771	Streamlight Frame Plexi Opal Carré 2+2x73/80W T16	2875	10,070

Hole

2x13/14W - 20/24W T16	175 x 604
2x19/21W - 34/39W T16	175 x 904
2x25/28W - 50/54W T16	175 x 1204
2x32/35W - 45/49W T16	175 x 1504
2x73/80W T16	175 x 1504
2+2x25/28W - 50/54W T16	175 x 2269
2+2x32/35W - 45/49W T16	175 x 2869
2+2x73/80W T16	175 x 2869

STREAMLIGHT FRAME PLEXI OPAL CARRE LED



CE F IP 43

LED

5 YEAR WARRANTY

ta 25°C

Included

- Version for LED CHIP.
- Aluminium body.
- High efficient diffuser in opal PMMA.
- Flow recuperator in white colour.
- Suspension brackets not included.
- Efficiency: max.138 Lumen / Watt.

Code	Description	L	Kg
94773	Streamlight Frame Plexi Opal Carré Led 16W 2200 lm Neutral	620	2,170
94774	Streamlight Frame Plexi Opal Carré Led 33W 4400 lm Neutral	1180	4,130
94775	Streamlight Frame Plexi Opal Carré Led 49W 6600 lm Neutral	1740	6,090
94776	Streamlight Frame Plexi Opal Carré Led 65W 8800 lm Neutral	2300	8,050
94777	Streamlight Frame Plexi Opal Carré Led 16W 2200 lm Warm	620	2,170
94778	Streamlight Frame Plexi Opal Carré Led 33W 4400 lm Warm	1180	4,130
94779	Streamlight Frame Plexi Opal Carré Led 49W 6600 lm Warm	1740	6,090
94780	Streamlight Frame Plexi Opal Carré Led 65W 8800 lm Warm	2300	8,050

Hole

16W	175 x 614
33W	175 x 1174
49W	175 x 1736
65W	175 x 2294

Colour Codes:

- 0 Colours 1 White 2 Titan 3 Black 5 matt Alum.

STREAMLIGHT FRAME

STREAMLIGHT FRAME PLEXI OPAL DOUBLE



CE F IP 43

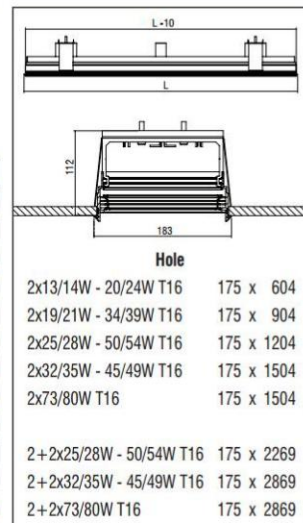
T16

OSRAM T5 PHILIPS T15

Included

- Version for T16.
- Aluminium body.
- High efficient diffuser in opal PMMA.
- Flow recuperator in white colour.
- Suspension brackets not included.

Code	Description	L	Kg
94837	Streamlight Frame Plexi Opal Double 2x13/14W T16	610	2,140
94839	Streamlight Frame Plexi Opal Double 2x20/24W T16	610	2,140
94841	Streamlight Frame Plexi Opal Double 2x19/21W T16	910	3,190
94843	Streamlight Frame Plexi Opal Double 2x34/39W T16	910	3,190
94845	Streamlight Frame Plexi Opal Double 2x25/28W T16	1210	4,240
94847	Streamlight Frame Plexi Opal Double 2x50/54W T16	1210	4,240
94849	Streamlight Frame Plexi Opal Double 2x32/35W T16	1510	5,290
94851	Streamlight Frame Plexi Opal Double 2x45/49W T16	1510	5,290
94853	Streamlight Frame Plexi Opal Double 2x73/80W T16	1510	5,290
94863	Streamlight Frame Plexi Opal Double 2+2x25/28W T16	2275	7,970
94865	Streamlight Frame Plexi Opal Double 2+2x50/54W T16	2275	7,970
94867	Streamlight Frame Plexi Opal Double 2+2x32/35W T16	2875	10,070
94869	Streamlight Frame Plexi Opal Double 2+2x45/49W T16	2875	10,070
94871	Streamlight Frame Plexi Opal Double 2+2x73/80W T16	2875	10,070



STREAMLIGHT FRAME PLEXI OPAL DOUBLE LED



CE F IP 43

LED

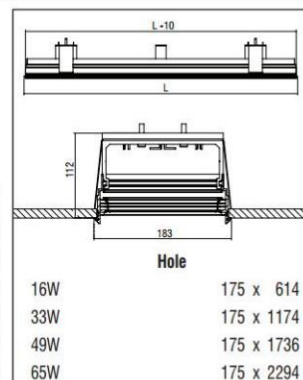
5 YEAR WARRANTY

ta 25°C

Included

- Version for LED CHIP.
- Aluminium body.
- High efficient diffuser in opal PMMA.
- Flow recuperator in white colour.
- Suspension brackets not included.
- Efficiency: max.138 Lumen / Watt.

Code	Description	L	Kg
94873	Streamlight Frame Plexi Opal Double Led 16W 2200 lm Neutral	620	2,170
94874	Streamlight Frame Plexi Opal Double Led 33W 4400 lm Neutral	1180	4,130
94875	Streamlight Frame Plexi Opal Double Led 49W 6600 lm Neutral	1740	6,090
94876	Streamlight Frame Plexi Opal Double Led 65W 8800 lm Neutral	2300	8,050
94877	Streamlight Frame Plexi Opal Double Led 16W 2200 lm Warm	620	2,170
94878	Streamlight Frame Plexi Opal Double Led 33W 4400 lm Warm	1180	4,130
94879	Streamlight Frame Plexi Opal Double Led 49W 6600 lm Warm	1740	6,090
94880	Streamlight Frame Plexi Opal Double Led 65W 8800 lm Warm	2300	8,050



Colour Codes:

0 Colours 1 White 2 Titan 3 Black 5 matt Alum.

STREAMLIGHT FRAME


STREAMLIGHT FRAME LOUVRE



CE F IP 43

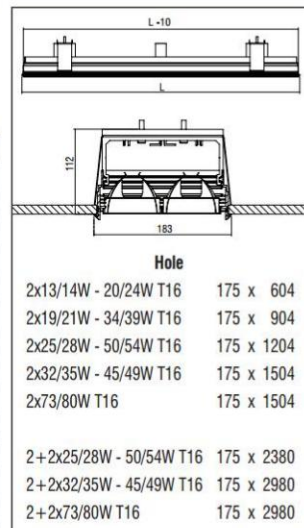
T16

OSRAM T5 PHILIPS T15

Included 

- Version for T16.
- Aluminium body.
- Parabolic reflector in specular anodized aluminium.
- Suspension brackets not included.

Code	Description	L	Kg
94637	Streamlight Frame Louvre 2x13/14W T16	610	2,100
94639	Streamlight Frame Louvre 2x20/24W T16	610	2,100
94641	Streamlight Frame Louvre 2x19/21W T16	910	3,130
94643	Streamlight Frame Louvre 2x34/39W T16	910	3,130
94645	Streamlight Frame Louvre 2x25/28W T16	1210	4,170
94647	Streamlight Frame Louvre 2x50/54W T16	1210	4,170
94649	Streamlight Frame Louvre 2x32/35W T16	1510	5,200
94651	Streamlight Frame Louvre 2x45/49W T16	1510	5,200
94653	Streamlight Frame Louvre 2x73/80W T16	1510	5,200
94663	Streamlight Frame Louvre 2+2x25/28W T16	2386	8,210
94665	Streamlight Frame Louvre 2+2x50/54W T16	2386	8,210
94667	Streamlight Frame Louvre 2+2x32/35W T16	2986	10,280
94669	Streamlight Frame Louvre 2+2x45/49W T16	2986	10,280
94671	Streamlight Frame Louvre 2+2x73/80W T16	2986	10,280

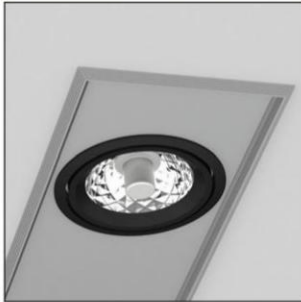


Colour Codes:

- 0 Colours 1 White 2 Titan 3 Black 5 matt Alum.

STREAMLIGHT FRAME

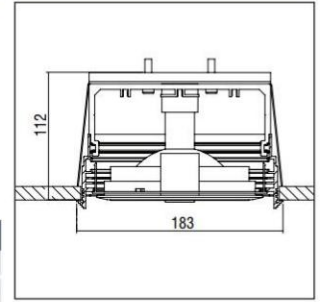
STREAMLIGHT FRAME + Module 60 POSIDON HI-PAR 111



CE	F	850°C	IP 20
70°	350°		
OSRAM: HCB-H 111 PHILIPS: COM-H 111			Included

- Version for HI-PAR 111/GX8,5.
- Outer adjustable ring from die-cast aluminium.
- Inner ring for easy lamp replacement.

Code	Description	L	Kg
95315	Streamlight Frame Module 60 POSIDON 35W HI-PAR 111/GX8.5	350	1,270
95316	Streamlight Frame Module 60 POSIDON 70W HI-PAR 111/GX8.5	350	1,270



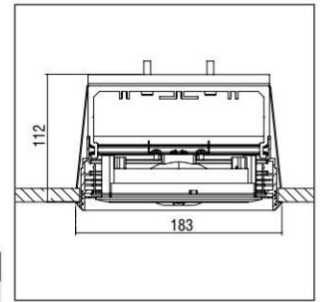
STREAMLIGHT FRAME + Module 60 DIONISOS QR111



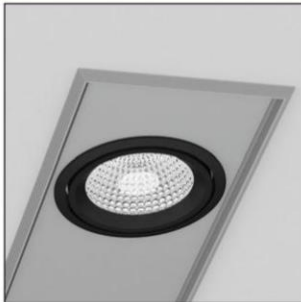
CE	F	850°C	IP 20
70°	350°		
OSRAM: HILIGHT 111 PHILIPS: ALUM-H 111			Included

- Version for QR111/G53.
- Outer adjustable ring from die-cast aluminium.
- Inner ring for easy lamp replacement.

Code	Description	L	Kg
95317	Streamlight Frame Module 60 DIONISOS max.70W QR111/G53	350	1,270



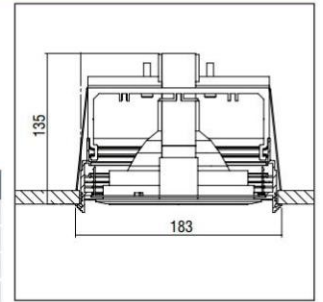
STREAMLIGHT FRAME + Module 60 APOLLON HIT-CE



CE	F	850°C	IP 20
70°	350°		
OSRAM: HCB-T PHILIPS: COM-T			Included

- Version for HIT-CE/G12.
- Outer adjustable ring from die-cast aluminium.
- Inner ring for easy lamp replacement.
- High pure aluminium reflectors in Spot, Medium, Wide.
- Tempered protection glass.

Code	Description	L	Kg
95319	Streamlight Frame Module 60 APOLLON 35W HIT-CE/G12 S	350	1,270
95320	Streamlight Frame Module 60 APOLLON 35W HIT-CE/G12 M	350	1,270
95321	Streamlight Frame Module 60 APOLLON 35W HIT-CE/G12 W	350	1,270
95322	Streamlight Frame Module 60 APOLLON 70W HIT-CE/G12 S	350	1,270
95323	Streamlight Frame Module 60 APOLLON 70W HIT-CE/G12 M	350	1,270
95324	Streamlight Frame Module 60 APOLLON 70W HIT-CE/G12 W	350	1,270



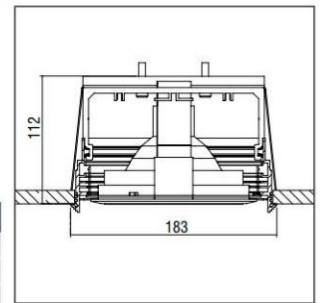
STREAMLIGHT FRAME + Module 60 IFESTOS HIT-TC-CE



CE	F	850°C	IP 20
70°	350°		
OSRAM: HCB-TC PHILIPS: COM-TC			Included

- Version for HIT-TC-CE/G8,5.
- Outer adjustable ring from die-cast aluminium.
- Inner ring for easy lamp replacement.
- High pure aluminium reflectors in Spot, Medium, Wide.
- Tempered protection glass.

Code	Description	L	Kg
95325	Streamlight Frame Module 60 IFESTOS 35W HIT-TC-CE /G8,5 S	350	1,270
95326	Streamlight Frame Module 60 IFESTOS 35W HIT-TC-CE /G8,5 M	350	1,270
95327	Streamlight Frame Module 60 IFESTOS 35W HIT-TC-CE /G8,5 W	350	1,270
95328	Streamlight Frame Module 60 IFESTOS 70W HIT-TC-CE /G8,5 S	350	1,270
95329	Streamlight Frame Module 60 IFESTOS 70W HIT-TC-CE /G8,5 M	350	1,270
95330	Streamlight Frame Module 60 IFESTOS 70W HIT-TC-CE /G8,5 W	350	1,270



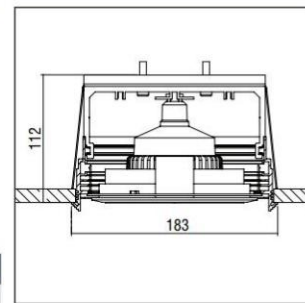
**STREAMLIGHT FRAME**

**STREAMLIGHT FRAME + Module 60 ARIS LED R111**



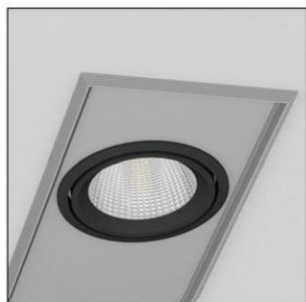
CE	F	850°C	IP 20
70°	350°		
LED			

- Version for LED R111/GU10.
- Outer adjustable ring from die-cast aluminium.
- Inner ring for easy lamp replacement.
- Connection for 230V/50Hz.



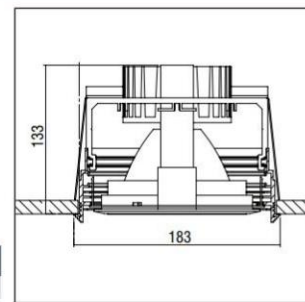
Code	Description	L	Kg
95318	Streamlight Frame Module 60 ARIS LED R111/GU10/230V	350	1,270

**STREAMLIGHT FRAME + Module 60 DIAS LED**



CE	F	850°C	IP 20
70°	350°		
LED	5 YEAR WARRANTY	ta 25°C	Included

- Version with LED Module.
  - Outer adjustable ring from die-cast aluminium.
  - 22W power consumption driven at 500mA.
  - 30W power consumption driven at 700mA.
  - Efficiency:
- |      |         |                          |
|------|---------|--------------------------|
| 22W: | 4000 K: | 1800 Lumen, CRI: min. 75 |
| 22W: | 3000 K: | 1800 Lumen, CRI: min. 80 |
| 30W: | 4000 K: | 2830 Lumen, CRI: min. 75 |
| 30W: | 3000 K: | 2830 Lumen, CRI: min. 80 |
- Maximum: 95 Lm/W



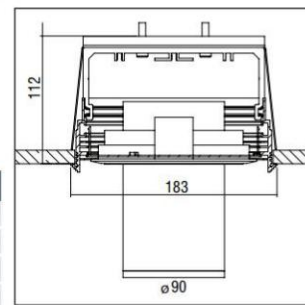
Code	Description	L	Kg
95331	Streamlight Frame Module 60 DIAS LED CHIP 22W	350	1,270
95332	Streamlight Frame Module 60 DIAS LED CHIP 30W	350	1,270

**STREAMLIGHT FRAME + Module 60 KRONOS HIT-TC-CE**



CE	F	850°C	IP 20
60°	350°		
HIT-TC-CE/GU6,5			Included

- Version for HIT-TC-CE/GU6,5.
- Outer adjustable ring from die-cast aluminium.
- Die-cast aluminium spot inside.
- High pure aluminium reflectors in Spot, Medium, Wide.
- Tempered protection glass.



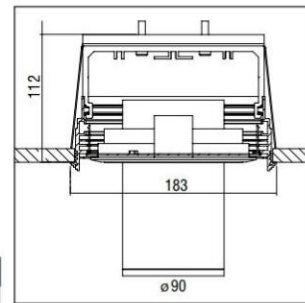
Code	Description	L	Kg
95333	Streamlight Frame Module 60 KRONOS 20W HIT-TC-CE /GU6,5 S	350	1,170
95334	Streamlight Frame Module 60 KRONOS 20W HIT-TC-CE /GU6,5 M	350	1,170
95335	Streamlight Frame Module 60 KRONOS 20W HIT-TC-CE /GU6,5 W	350	1,170
95336	Streamlight Frame Module 60 KRONOS 35W HIT-TC-CE /GU6,5 S	350	1,170
95337	Streamlight Frame Module 60 KRONOS 35W HIT-TC-CE /GU6,5 M	350	1,170
95338	Streamlight Frame Module 60 KRONOS 35W HIT-TC-CE /GU6,5 W	350	1,170

**STREAMLIGHT FRAME + Module 60 KRONOS LED**



CE	F	850°C	IP 20
60°	350°		
LED	5 YEAR WARRANTY	ta 25°C	Included

- Version with LED Module.
  - Outer adjustable ring from die-cast aluminium.
  - Die-cast aluminium spot inside.
  - 22W power consumption driven at 500mA.
  - Efficiency:
- |      |         |                          |
|------|---------|--------------------------|
| 22W: | 4000 K: | 1800 Lumen, CRI: min. 75 |
| 22W: | 3000 K: | 1800 Lumen, CRI: min. 80 |
- Maximum: 95 Lm/W



Code	Description	L	Kg
95339	Streamlight Frame Module 60 KRONOS LED CHIP 22W	350	1,170



**STREAMLIGHT FRAME**

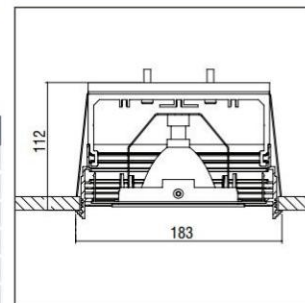
**STREAMLIGHT FRAME + Module 40 THETIS HIT-TC-CE**



CE	F	IP 20	
60°	350°		
HIT-TC-CE/GU6,5			Included
GU6,5			

- Version for HIT-TC-CE/GU6,5.
- Reflector: Spot, Medium, Wide.
- Tempered protection glass.

Code	Description	L	Kg
95341	Streamlight Frame Module 40 THETIS 20W HIT-TC-CE/GU6,5 S	350	1,270
95342	Streamlight Frame Module 40 THETIS 20W HIT-TC-CE/GU6,5 M	350	1,270
95343	Streamlight Frame Module 40 THETIS 20W HIT-TC-CE/GU6,5 W	350	1,270
95344	Streamlight Frame 2x Module 40 THETIS 20W HIT-TC-CE/GU6,5 S	550	1,990
95345	Streamlight Frame 2x Module 40 THETIS 20W HIT-TC-CE/GU6,5 M	550	1,990
95346	Streamlight Frame 2x Module 40 THETIS 20W HIT-TC-CE/GU6,5 W	550	1,990
95347	Streamlight Frame Module 40 THETIS 35W HIT-TC-CE/GU6,5 S	350	1,270
95348	Streamlight Frame Module 40 THETIS 35W HIT-TC-CE/GU6,5 M	350	1,270
95349	Streamlight Frame Module 40 THETIS 35W HIT-TC-CE/GU6,5 W	350	1,270
95350	Streamlight Frame 2x Module 40 THETIS 35W HIT-TC-CE/GU6,5 S	550	1,990
95351	Streamlight Frame 2x Module 40 THETIS 35W HIT-TC-CE/GU6,5 M	550	1,990
95352	Streamlight Frame 2x Module 40 THETIS 35W HIT-TC-CE/GU6,5 W	550	1,990



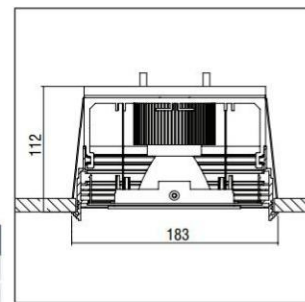
**STREAMLIGHT FRAME + Module 40 HERCULES LED REFLECTOR**



CE	F	850°C	IP 20
60°	350°		
LED	850°C	ta 25°C	Included

- Reflectors: Spot, Medium, Wide.
  - 7W power consumption driven at 350mA.
  - 10,5W power consumption driven at 500mA.
  - Efficiency:
- |        |         |                                    |
|--------|---------|------------------------------------|
| 7W:    | 4000 K: | 810 Lumen, CRI: min. 80, 116 Lm/W  |
| 7W:    | 3000 K: | 720 Lumen, CRI: min. 80, 103 Lm/W  |
| 10,5W: | 4000 K: | 1140 Lumen, CRI: min. 80, 109 Lm/W |
| 10,5W: | 3000 K: | 1000 Lumen, CRI: min. 80, 95 Lm/W  |

Code	Description	L	Kg
95353	Streamlight Frame Module 40 HERCULES LED REFLECTOR 7/10,5W	350	1,270
95354	Streamlight Frame 2x Module 40 HERCULES LED REFLECTOR 7/10,5W	550	1,990



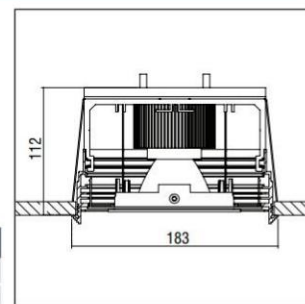
**STREAMLIGHT FRAME + Module 40 IASON LED REFLECTOR HO**



CE	F	850°C	IP 20
60°	350°		
LED	850°C	ta 25°C	Included

- Reflectors: Spot, Medium, Wide.
  - 7W power consumption driven at 350mA.
  - 10,5W power consumption driven at 500mA.
  - Efficiency:
- |        |         |                                    |
|--------|---------|------------------------------------|
| 7W:    | 4000 K: | 810 Lumen, CRI: min. 80, 116 Lm/W  |
| 7W:    | 3000 K: | 720 Lumen, CRI: min. 80, 103 Lm/W  |
| 10,5W: | 4000 K: | 1140 Lumen, CRI: min. 80, 109 Lm/W |
| 10,5W: | 3000 K: | 1000 Lumen, CRI: min. 80, 95 Lm/W  |

Code	Description	L	Kg
95355	Streamlight Frame Module 40 IASON LED REFLECTOR HO 7/10,5W	350	1,270
95356	Streamlight Frame 2x Module 40 IASON LED REFLECTOR HO 7/10,5W	550	1,990



**LED COLOUR CODES:**

2 Warm 3 Neutral

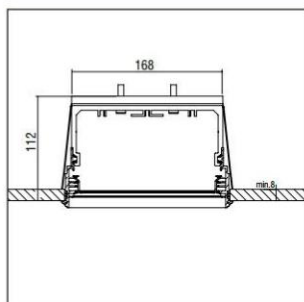
**BEAM CODES:**

01 spot 02 medium 03 wide 04 spot HO 05 medium HO 06 wide HO

**Colour Codes:**

0 Colours 1 White 2 Titan 3 Black 5 matt Alum.

**STREAMLIGHT FRAME ACCESSORIES**



CE			
----	--	--	--

- Metal suspension bracket.
- Required 1pc per 0,5m profile length.

Code	Description	Kg
900720	Suspension Bracket Streamlight Frame	0,470

STREAMLIGHT FRAME

