

STREAMLIGHT

This luminaire combines the architectural style with the efficiency. It produces perfect lighting conditions without annoying reflections and that is why it can be used from entrance areas to offices. Uniformly illuminated lines with no dark shadows can be created thanks to the Tetris technology of T16 lamps.

The LED version escapes the restrictions of the T16 lamp by using LED lighting points that can have any spacing pitch and this gives the light line enormous flexibility. The visual benefit: The continuous-row system is illuminated absolutely uniformly from beginning to end, is economically efficient, is maintenance-free and it has long service life.

Technical Features

- Housing from aluminium profile, painted electrostatically in selected colour.
- Removable plastic heads.
- High efficient diffuser in opal PMMA.
- Flow recuperator in white colour.

Upon request

- Connection for operation with electronic dimmable ballast.

Upon request:

Available with highest colour rendering index (CRI)

For LED Version

- Pure light without IR/UV radiation.
- Efficient thermal management.
- Up to 28W/m and 3864 Lm luminous flux range.
- Operation life: 50,000 hours with efficiency > 70% of the initial luminous flux.
- Connection for operation on 230V/50Hz.

STREAMLIGHT

STREAMLIGHT TETRIS



CE F IP 43

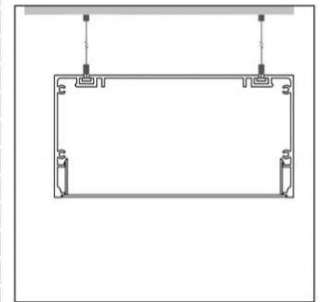
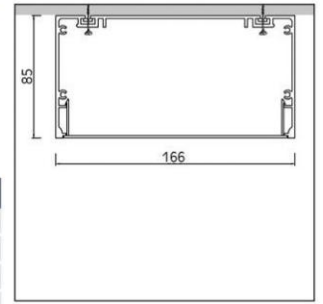
T16

OSRAM: T5 PHILIPS: T15

Included

- Version for T16.
- Aluminium body.
- Removable plastic heads.
- High efficient diffuser in opal PMMA.
- Flow recuperator in white colour.
- Suspension and power supply not included.

Code	Description	L	Kg
91537	Streamlight Tetris 2x13/14W T16	585	3,000
91539	Streamlight Tetris 2x20/24W T16	585	3,000
91541	Streamlight Tetris 2x19/21W T16	885	3,970
91543	Streamlight Tetris 2x34/39W T16	885	3,970
91545	Streamlight Tetris 2x25/28W T16	1185	4,270
91547	Streamlight Tetris 2x50/54W T16	1185	4,270
91549	Streamlight Tetris 2x32/35W T16	1485	5,260
91551	Streamlight Tetris 2x45/49W T16	1485	5,260
91553	Streamlight Tetris 2x73/80W T16	1485	5,260
91563	Streamlight Tetris 2+2x25/28W T16	2250	8,600
91565	Streamlight Tetris 2+2x50/54W T16	2250	8,600
91567	Streamlight Tetris 2+2x32/35W T16	2850	9,200
91569	Streamlight Tetris 2+2x45/49W T16	2850	9,200
91571	Streamlight Tetris 2+2x73/80W T16	2850	9,200



STREAMLIGHT LED



CE F IP 43

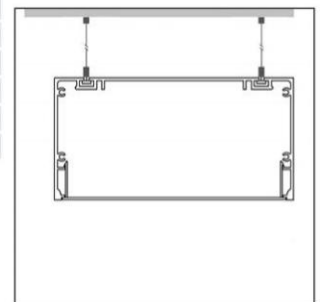
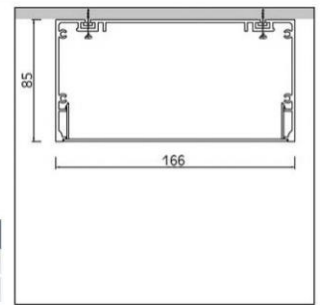
LED

ta 25°C

Included

- Version for LED CHIP.
- Aluminium body.
- Removable plastic heads.
- High efficient diffuser in opal PMMA.
- Flow recuperator in white colour.
- Suspension and power supply not included.
- Efficiency: max.138 Lumen / Watt.

Code	Description	L	Kg
91573	Streamlight Led 16W 2200 lm Neutral	600	3,200
91574	Streamlight Led 33W 4400 lm Neutral	1160	4,270
91575	Streamlight Led 49W 6600 lm Neutral	1720	5,970
91576	Streamlight Led 65W 8800 lm Neutral	2280	8,600
91577	Streamlight Led 16W 2200 lm Warm	600	3,200
91578	Streamlight Led 33W 4400 lm Warm	1160	4,270
91579	Streamlight Led 49W 6600 lm Warm	1720	5,970
91580	Streamlight Led 65W 8800 lm Warm	2280	8,600



Colour Codes:

- 0 Colours 1 White 2 Titan 3 Black 5 matt Alum. 9 Anodized

STREAMLIGHT

STREAMLIGHT ANAGLYPH



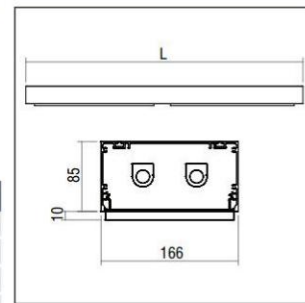
CE F IP 43

T16

OSRAM: T5 PHILIPS: T15

Included

- Version for T16.
- Aluminium body.
- Removable plastic heads.
- High efficient diffuser in opal PMMA.
- Flow recuperator in white colour.
- Suspension and power supply not included.



Code	Description	L	Kg
91737	Streamlight Anaglyph 2x13/14W T16	585	3,300
91739	Streamlight Anaglyph 2x20/24W T16	585	3,300
91741	Streamlight Anaglyph 2x19/21W T16	885	5,000
91743	Streamlight Anaglyph 2x34/39W T16	885	5,000
91745	Streamlight Anaglyph 2x25/28W T16	1185	6,700
91747	Streamlight Anaglyph 2x50/54W T16	1185	6,700
91749	Streamlight Anaglyph 2x32/35W T16	1485	8,400
91751	Streamlight Anaglyph 2x45/49W T16	1485	8,400
91753	Streamlight Anaglyph 2x73/80W T16	1485	8,400
91763	Streamlight Anaglyph 2+2x28/28W T16	2250	12,750
91765	Streamlight Anaglyph 2+2x50/54W T16	2250	12,750
91767	Streamlight Anaglyph 2+2x32/35W T16	2850	16,100
91769	Streamlight Anaglyph 2+2x45/49W T16	2850	16,100
91771	Streamlight Anaglyph 2+2x73/80W T16	2850	16,100

STREAMLIGHT ANAGLYPH LED



CE F IP 43

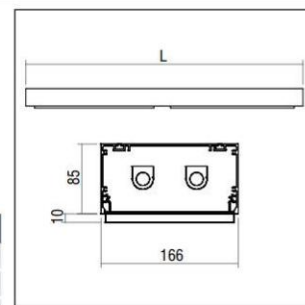
LED

5 YEAR WARRANTY

ta 25°C

Included

- Version for LED CHIP.
- Aluminium body.
- Removable plastic heads.
- High efficient diffuser in opal PMMA.
- Flow recuperator in white colour.
- Suspension and power supply not included.
- Efficiency: max.138 Lumen / Watt.



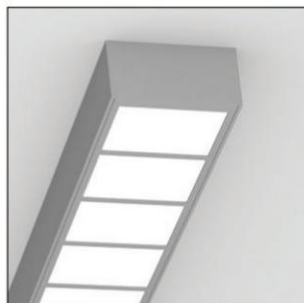
Code	Description	L	Kg
91773	Streamlight An.Led 16W 2200 lm Neutral	600	3,400
91774	Streamlight An.Led 33W 4400 lm Neutral	1160	6,560
91775	Streamlight An.Led 49W 6600 lm Neutral	1720	9,700
91776	Streamlight An.Led 65W 8800 lm Neutral	2280	12,900
91777	Streamlight An.Led 16W 2200 lm Warm	600	3,400
91778	Streamlight An.Led 33W 4400 lm Warm	1160	6,560
91779	Streamlight An.Led 49W 6600 lm Warm	1720	9,700
91780	Streamlight An.Led 65W 8800 lm Warm	2280	12,900

Colour Codes:

- 0 Colours 1 White 2 Titan 3 Black 5 matt Alum. 9 Anodized

STREAMLIGHT

STREAMLIGHT PLEXI OPAL CARRE



CE F IP 43

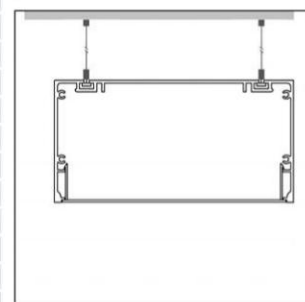
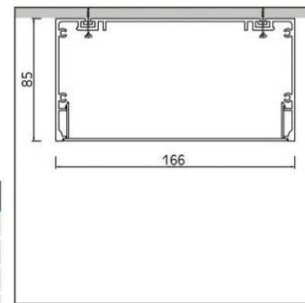
T16

OSRAM T5 PHILIPS T5

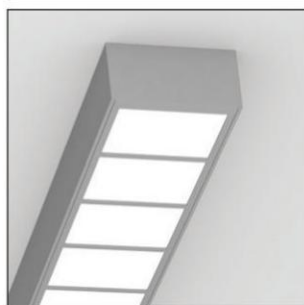
Included

- Version for T16.
- Aluminium body.
- Removable plastic heads.
- High efficient diffuser in opal PMMA.
- Flow recuperator in white colour.
- Suspension and power supply not included.

Code	Description	L	Kg
91237	Streamlight Plexi Opal Carré 2x13/14W T16	585	3,000
91239	Streamlight Plexi Opal Carré 2x20/24W T16	585	3,000
91241	Streamlight Plexi Opal Carré 2x19/21W T16	885	4,550
91243	Streamlight Plexi Opal Carré 2x34/39W T16	885	4,550
91245	Streamlight Plexi Opal Carré 2x25/28W T16	1185	6,100
91247	Streamlight Plexi Opal Carré 2x50/54W T16	1185	6,100
91249	Streamlight Plexi Opal Carré 2x32/35W T16	1485	7,600
91251	Streamlight Plexi Opal Carré 2x45/49W T16	1485	7,600
91253	Streamlight Plexi Opal Carré 2x73/80W T16	1485	7,600
91263	Streamlight Plexi Opal Carré 2+2x25/28W T16	2250	11,550
91265	Streamlight Plexi Opal Carré 2+2x50/54W T16	2250	11,550
91267	Streamlight Plexi Opal Carré 2+2x32/35W T16	2850	14,600
91269	Streamlight Plexi Opal Carré 2+2x45/49W T16	2850	14,600
91271	Streamlight Plexi Opal Carré 2+2x73/80W T16	2850	14,600



STREAMLIGHT PLEXI OPAL CARRE LED



CE F IP 43

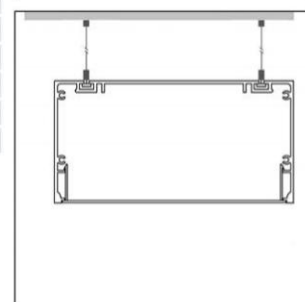
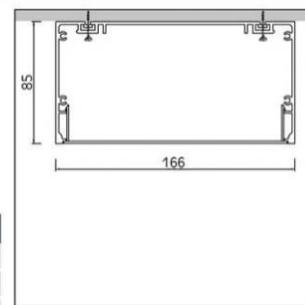
LED

ta 25°C

Included

- Version for LED CHIP.
- Aluminium body.
- Removable plastic heads.
- High efficient diffuser in opal PMMA.
- Flow recuperator in white colour.
- Suspension and power supply not included.
- Efficiency: max.138 Lumen / Watt.

Code	Description	L	Kg
91273	Streamlight Plexi Opal Carré Led 16W 2200 lm Neutral	600	3,080
91274	Streamlight Plexi Opal Carré Led 33W 4400 lm Neutral	1160	5,940
91275	Streamlight Plexi Opal Carré Led 49W 6600 lm Neutral	1720	8,810
91276	Streamlight Plexi Opal Carré Led 65W 8800 lm Neutral	2280	11,680
91277	Streamlight Plexi Opal Carré Led 16W 2200 lm Warm	600	3,080
91278	Streamlight Plexi Opal Carré Led 33W 4400 lm Warm	1160	5,940
91279	Streamlight Plexi Opal Carré Led 49W 6600 lm Warm	1720	8,810
91280	Streamlight Plexi Opal Carré Led 65W 8800 lm Warm	2280	11,680



Colour Codes:

- 0 Colours 1 White 2 Titan 3 Black 5 matt Alum. 9 Anodized

STREAMLIGHT

STREAMLIGHT PLEXI OPAL DOUBLE



CE F IP 43

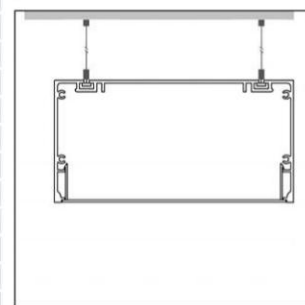
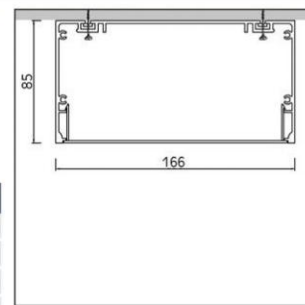
T16

OSRAM: T5 PHILIPS: T15

Included

- Version for T16.
- Aluminium body.
- Removable plastic heads.
- High efficient diffuser in opal PMMA.
- Flow recuperator in white colour.
- Suspension and power supply not included.

Code	Description	L	Kg
91337	Streamlight Plexi Opal Double 2x13/14W T16	585	3,000
91339	Streamlight Plexi Opal Double 2x20/24W T16	585	3,000
91341	Streamlight Plexi Opal Double 2x19/21W T16	885	4,550
91343	Streamlight Plexi Opal Double 2x34/39W T16	885	4,550
91345	Streamlight Plexi Opal Double 2x25/28W T16	1185	6,100
91347	Streamlight Plexi Opal Double 2x50/54W T16	1185	6,100
91349	Streamlight Plexi Opal Double 2x32/35W T16	1485	7,600
91351	Streamlight Plexi Opal Double 2x45/49W T16	1485	7,600
91353	Streamlight Plexi Opal Double 2x73/80W T16	1485	7,600
91363	Streamlight Plexi Opal Double 2+2x25/28W T16	2250	11,550
91365	Streamlight Plexi Opal Double 2+2x50/54W T16	2250	11,550
91367	Streamlight Plexi Opal Double 2+2x32/35W T16	2850	11,550
91369	Streamlight Plexi Opal Double 2+2x45/49W T16	2850	11,550
91371	Streamlight Plexi Opal Double 2+2x73/80W T16	2850	11,550



STREAMLIGHT PLEXI OPAL DOUBLE LED



CE F IP 43

LED

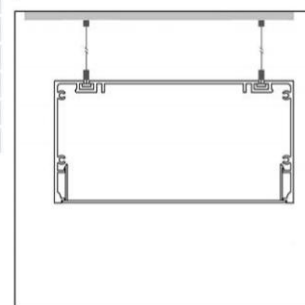
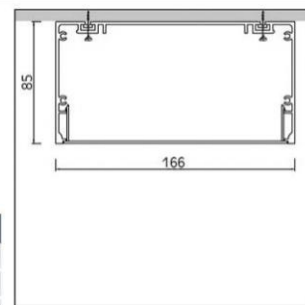
5 YEAR WARRANTY

ta 25°C

Included

- Version for LED CHIP.
- Aluminium body.
- Removable plastic heads.
- High efficient diffuser in opal PMMA.
- Flow recuperator in white colour.
- Suspension and power supply not included.
- Efficiency: max.138 Lumen / Watt.

Code	Description	L	Kg
91373	Streamlight Plexi Opal Double Led 16W 2200 lm Neutral	600	3,080
91374	Streamlight Plexi Opal Double Led 33W 4400 lm Neutral	1160	5,940
91375	Streamlight Plexi Opal Double Led 49W 6600 lm Neutral	1720	8,810
91376	Streamlight Plexi Opal Double Led 65W 8800 lm Neutral	2280	11,680
91377	Streamlight Plexi Opal Double Led 16W 2200 lm Warm	600	3,080
91378	Streamlight Plexi Opal Double Led 33W 4400 lm Warm	1160	5,940
91379	Streamlight Plexi Opal Double Led 49W 6600 lm Warm	1720	8,810
91380	Streamlight Plexi Opal Double Led 65W 8800 lm Warm	2280	11,680

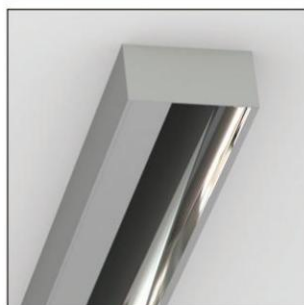


Colour Codes:

- 0 Colours 1 White 2 Titan 3 Black 5 matt Alum. 9 Anodized

STREAMLIGHT

STREAMLIGHT WW



CE F IP 20

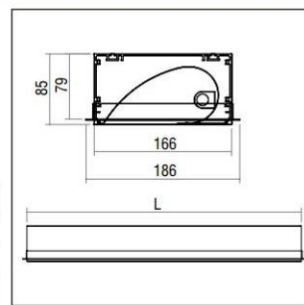
T16

OSRAM: T5 PHILIPS: T15

Included

- Version for T16.
- Aluminium body.
- Removable plastic heads.
- Flow recuperator wall washer in semi-glossy anodized aluminium.
- Suspension and power supply not included.

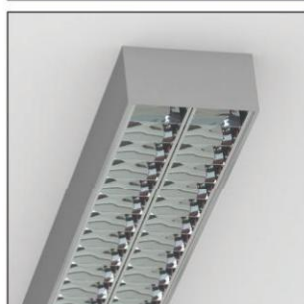
Code	Description	L	Kg
91803	Streamlight WW 1x20/24W T16	580	3,080
91807	Streamlight WW 1x34/39W T16	880	4,510
91811	Streamlight WW 1x50/54W T16	1180	6,050
91817	Streamlight WW 1x73/80W T16	1480	7,580



Colour Codes:

- 0 Colours 1 White 2 Titan 3 Black

STREAMLIGHT LOUVRE



CE F IP 20

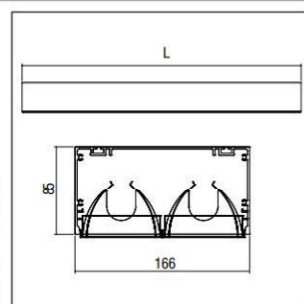
T16

OSRAM: T5 PHILIPS: T15

Included

- Version for T16.
- Aluminium body.
- Removable plastic heads.
- Parabolic reflector in specular anodized aluminium.
- Suspension and power supply not included.

Code	Description	L	Kg
91937	Streamlight Louvre 2x13/14W T16	585	2,100
91939	Streamlight Louvre 2x20/24W T16	585	2,100
91941	Streamlight Louvre 2x19/21W T16	885	3,180
91943	Streamlight Louvre 2x34/39W T16	885	3,180
91945	Streamlight Louvre 2x25/28W T16	1185	4,270
91947	Streamlight Louvre 2x50/54W T16	1185	4,270
91949	Streamlight Louvre 2x32/35W T16	1485	5,350
91951	Streamlight Louvre 2x45/49W T16	1485	5,350
91953	Streamlight Louvre 2x73/80W T16	1485	5,350
91963	Streamlight Louvre 2+2x25/28W T16	2250	8,100
91965	Streamlight Louvre 2+2x50/54W T16	2250	8,100
91967	Streamlight Louvre 2+2x32/35W T16	2850	10,260
91969	Streamlight Louvre 2+2x45/49W T16	2850	10,260
91971	Streamlight Louvre 2+2x73/80W T16	2850	10,260



Colour Codes:

- 0 Colours 1 White 2 Titan 3 Black 5 matt Alum. 9 Anodized

STREAMLIGHT

STREAMLIGHT + Module 60 POSIDON HI-PAR 111

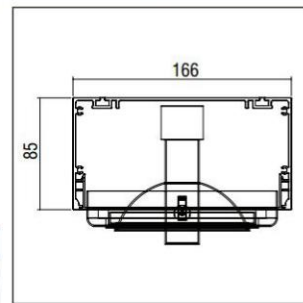
Module 60 POSIDON HI-PAR 111



CE	F	850°C	IP 20
70°	350°		
			Included
<small>OSRAM: HSB HI 111 PHILIPS: COMBI 111</small>			

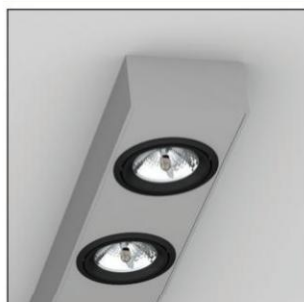
- Version for HI-PAR 111/GX8,5.
- Outer adjustable ring from die-cast aluminium.

Code	Description	L	Kg
91615	Streamlight Module 60 POSIDON 35W HI-PAR 111/GX8.5	350	1,580
91616	Streamlight Module 60 POSIDON 70W HI-PAR 111/GX8.5	350	1,580



STREAMLIGHT + Module 60 DIONISOS QR111

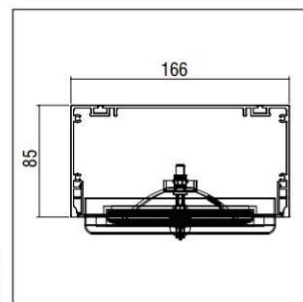
Module 60 DIONISOS QR111



CE	F	850°C	IP 20
70°	350°		
			Included
<small>OSRAM: HALOSPOT 111 PHILIPS: AALIANE 111</small>			

- Version for QR111/G53.
- Outer adjustable ring from die-cast aluminium.

Code	Description	L	Kg
91617	Streamlight Module 60 DIONISOS max. 70W QR111/G53	350	1,580



STREAMLIGHT + Module 60 ARIS LED R111

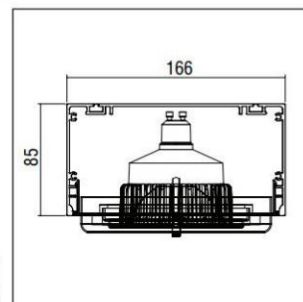
Module 60 ARIS LED R111



CE	F	850°C	IP 20
70°	350°		
LED			

- Version for LED R111/GU10.
- Outer adjustable ring from die-cast aluminium.
- Connection for 230V/50Hz.

Code	Description	L	Kg
91618	Streamlight Module 60 ARIS Led R111/GU10/230V	350	1,580



Colour Codes:

- 0 Colours 1 White 2 Titan 3 Black 5 matt Alum. 9 Anodized

STREAMLIGHT ACCESSORIES

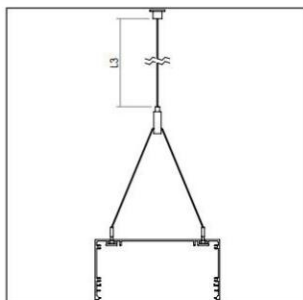
POWER SUPPLY



- For pendant use.
- Plastic body.
- With transparent cable 3x0,75mm².
- Round version.

Code	Description	L	Kg
900121	Power Supply with Rosette Ø75	500	0,060
900122	Power Supply with Rosette Ø75	1000	0,120
900123	Power Supply with Rosette Ø75	1500	0,180
900124	Power Supply with Rosette Ø75	2000	0,240
900126	Power Supply with Rosette Ø75	3000	0,360

DOUBLE ADJUSTABLE SUSPENSION



- Stainless steel cable and regulators.
- **Required:**
2 pieces for up to 3m profile.

Code	Description	L	Kg
900612	Double Suspension Streamlight	1000	0,070
900613	Double Suspension Streamlight	1500	0,110
900614	Double Suspension Streamlight	2000	0,220
900616	Double Suspension Streamlight	3000	0,290

POWER SUPPLY



- For pendant use.
- Body from aluminium profile.
- With 2m transparent cable 3x0,75mm².
- Square or round version.

Code	Description	Kg
90042	Power Supply L 2m with Rosette Ø80	0,130
90043	Power Supply L 2m with Rosette Ø70	0,130
90044	Power Supply L 2m with Rosette 80x80	0,210
90045	Power Supply L 2m with Rosette 70x70	0,200



Colour Codes:

- 0 Colours 1 White 2 Titan 3 Black 5 matt Alum.