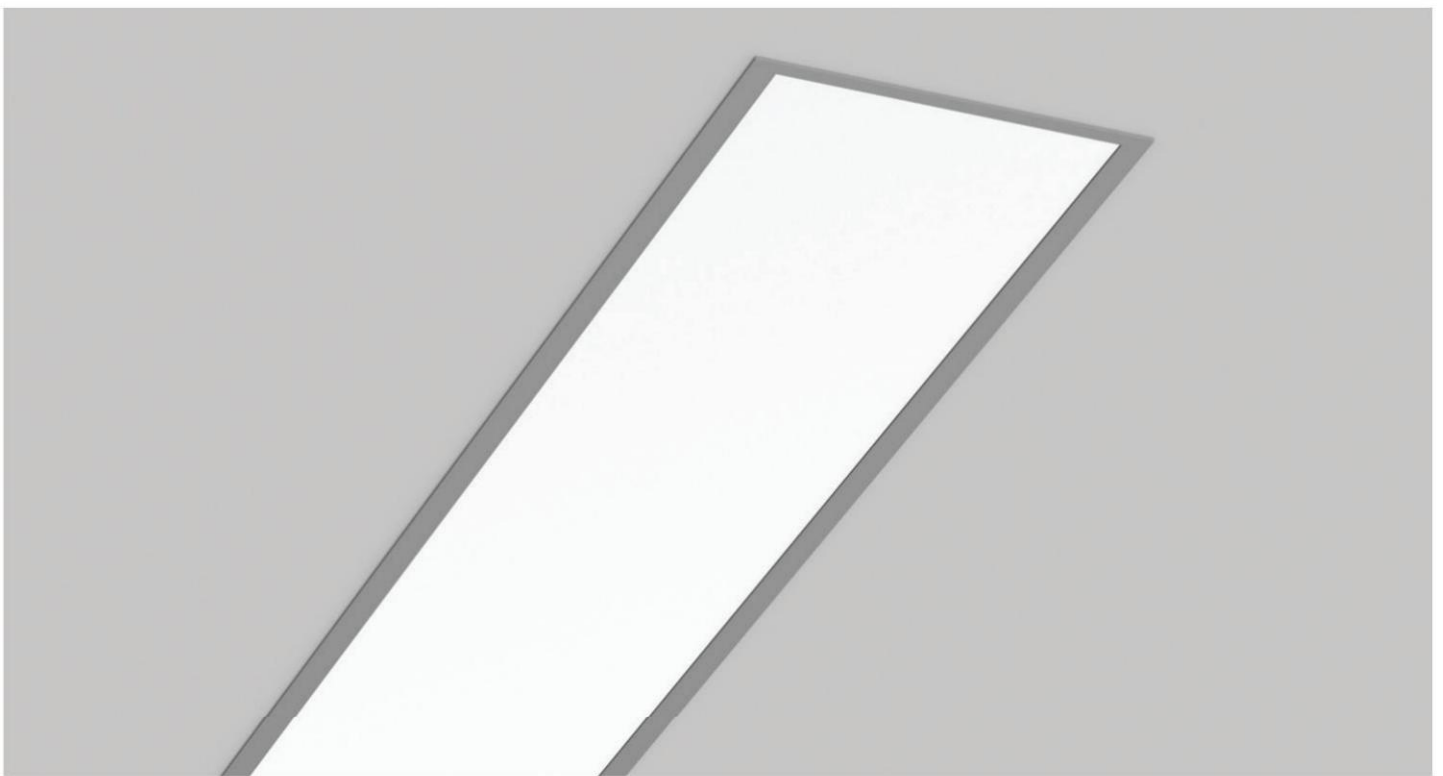


**STREAMLIGHT**

This luminaire combines the architectural style with the efficiency. It produces perfect lighting conditions without annoying reflections and that is why it can be used from entrance areas to offices. Uniformly illuminated lines with no dark shadows can be created thanks to the Tetris technology of T16 lamps.

The LED version escapes the restrictions of the T16 lamp by using LED lighting points that can have any spacing pitch and this gives the light line enormous flexibility. The visual benefit: The continuous-row system is illuminated absolutely uniformly from beginning to end, is economically efficient, is maintenance-free and it has long service life.

**Technical Features**

- Housing from aluminium profile, painted electrostatically in selected colour.
- Removable plastic heads.
- High efficient diffuser in opal PMMA.
- Flow recuperator in white colour.

**Upon request**

- Connection for operation with electronic dimmable ballast.

**For LED Version**

- Pure light without IR/UV radiation.
- Efficient thermal management.
- Up to 28W/m and 3864 Lm luminous flux range.
- Operation life: 50,000 hours with efficiency > 70% of the initial luminous flux.
- Connection for operation on 230V/50Hz.

**Upon request:**

Available with highest colour rendering index (CRI)

STREAMLIGHT

STREAMLIGHT TETRIS



CE F IP 43

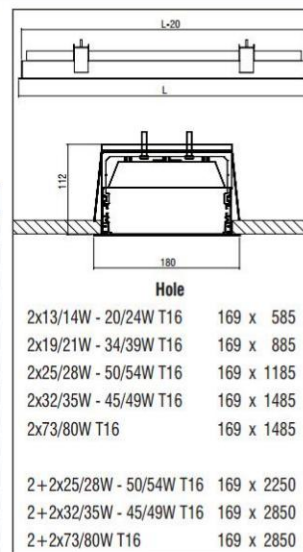
T16

OSRAM: TS PHILIPS: T16

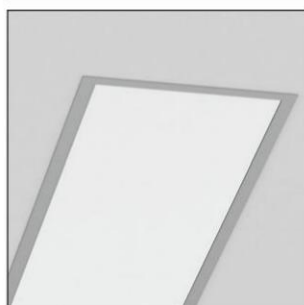
Included

- Version for T16.
- Aluminium body.
- Removable plastic heads.
- High efficient diffuser in opal PMMA.
- Flow recuperator in white colour.
- Suspension brackets not included.

Code	Description	L	Kg
93837	Streamlight Tetris 2x13/14W T16	603	1,800
93839	Streamlight Tetris 2x20/24W T16	603	1,800
93841	Streamlight Tetris 2x19/21W T16	903	2,700
93843	Streamlight Tetris 2x34/39W T16	903	2,700
93845	Streamlight Tetris 2x25/28W T16	1203	3,300
93847	Streamlight Tetris 2x50/54W T16	1203	3,300
93849	Streamlight Tetris 2x32/35W T16	1503	3,900
93851	Streamlight Tetris 2x45/49W T16	1503	3,900
93853	Streamlight Tetris 2x73/80W T16	1503	3,900
93863	Streamlight Tetris 2+2x25/28W T16	2268	7,400
93865	Streamlight Tetris 2+2x50/54W T16	2268	7,400
93867	Streamlight Tetris 2+2x32/35W T16	2868	7,150
93869	Streamlight Tetris 2+2x45/49W T16	2868	7,150
93871	Streamlight Tetris 2+2x73/80W T16	2868	7,150



STREAMLIGHT LED



CE F IP 43

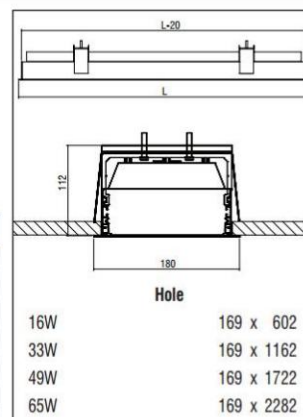
LED

ta 25°C

Included

- Version for LED CHIP.
- Aluminium body.
- Removable plastic heads.
- High efficient diffuser in opal PMMA.
- Flow recuperator in white colour.
- Suspension brackets not included.
- Efficiency: max.138 Lumen / Watt.

Code	Description	L	Kg
93873	Streamlight Led 16W 2200 lm Neutral	620	1,850
93874	Streamlight Led 33W 4400 lm Neutral	1180	3,520
93875	Streamlight Led 49W 6600 lm Neutral	1740	5,200
93876	Streamlight Led 65W 8800 lm Neutral	2300	6,800
93877	Streamlight Led 16W 2200 lm Warm	620	1,850
93878	Streamlight Led 33W 4400 lm Warm	1180	3,520
93879	Streamlight Led 49W 6600 lm Warm	1740	5,200
93880	Streamlight Led 65W 8800 lm Warm	2300	6,800



Colour Codes:

- 0 Colours 1 White 2 Titan 3 Black 5 matt Alum. 9 Anodized

STREAMLIGHT



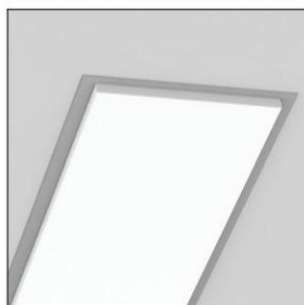


STREAMLIGHT



STREAMLIGHT

STREAMLIGHT ANAGLYPH



CE F IP 43

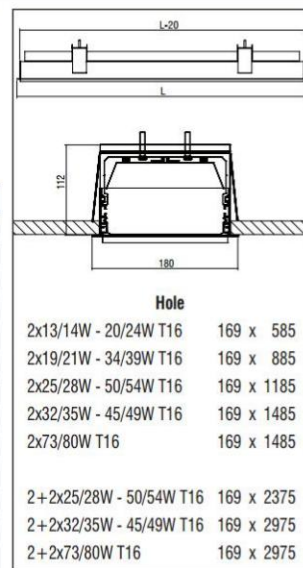
T16

OSRAM: T5 PHILIPS: T15

Included

- Version for T16.
- Aluminium body.
- Removable plastic heads.
- Diffuser in opal of 10mm PMMA.
- Flow recuperator in white colour.
- Suspension brackets not included.

Code	Description	L	Kg
94037	Streamlight Anaglyph 2x13/14W T16	603	2,420
94039	Streamlight Anaglyph 2x20/24W T16	603	2,420
94041	Streamlight Anaglyph 2x19/21W T16	903	3,620
94043	Streamlight Anaglyph 2x34/39W T16	903	3,620
94045	Streamlight Anaglyph 2x25/28W T16	1203	4,830
94047	Streamlight Anaglyph 2x50/54W T16	1203	4,830
94049	Streamlight Anaglyph 2x32/35W T16	1503	6,030
94051	Streamlight Anaglyph 2x45/49W T16	1503	6,030
94053	Streamlight Anaglyph 2x73/80W T16	1503	6,030
94063	Streamlight Anaglyph 2+2x25/28W T16	2268	9,100
94065	Streamlight Anaglyph 2+2x50/54W T16	2268	9,100
94067	Streamlight Anaglyph 2+2x32/35W T16	2868	11,500
94069	Streamlight Anaglyph 2+2x45/49W T16	2868	11,500
94071	Streamlight Anaglyph 2+2x73/80W T16	2868	11,500



STREAMLIGHT ANAGLYPH LED



CE F IP 43

LED

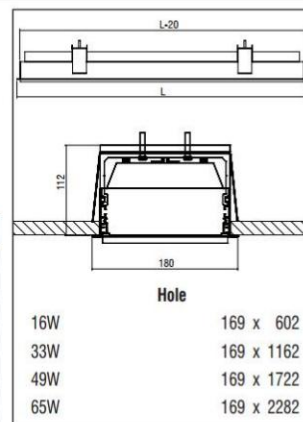
5 YEAR WARRANTY

ta 25°C

Included

- Version for LED CHIP.
- Aluminium body.
- Removable plastic heads.
- Diffuser in opal of 10mm PMMA.
- Flow recuperator in white colour.
- Suspension brackets not included.
- Efficiency: max.138 Lumen / Watt.

Code	Description	L	Kg
94073	Streamlight An.Led 16W 2200 lm Neutral	620	2,490
94074	Streamlight An.Led 33W 4400 lm Neutral	1180	4,730
94075	Streamlight An.Led 49W 6600 lm Neutral	1740	6,980
94076	Streamlight An.Led 65W 8800 lm Neutral	2300	9,230
94077	Streamlight An.Led 16W 2200 lm Warm	620	2,490
94078	Streamlight An.Led 33W 4400 lm Warm	1180	4,730
94079	Streamlight An.Led 49W 6600 lm Warm	1740	6,980
94080	Streamlight An.Led 65W 8800 lm Warm	2300	9,230



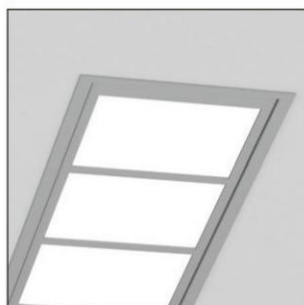
Colour Codes:

- 0 Colours 1 White 2 Titan 3 Black 5 matt Alum. 9 Anodized



STREAMLIGHT

STREAMLIGHT PLEXI OPAL CARRE



CE F IP 43

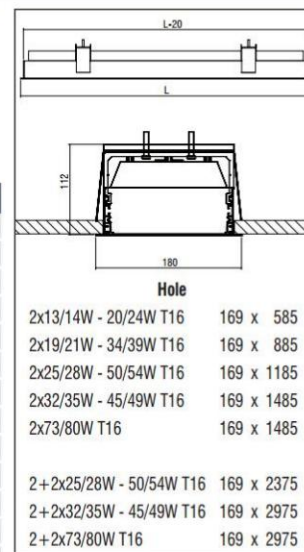
T16

OSRAM: T5 PHILIPS: T15

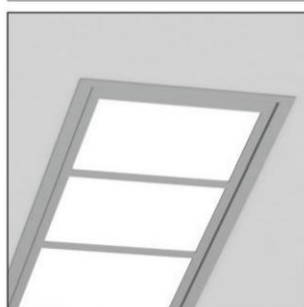
Included

- Version for T16.
- Aluminium body.
- Removable plastic heads.
- High efficient diffuser in opal PMMA.
- Flow recuperator in white colour.
- Suspension brackets not included.

Code	Description	L	Kg
93537	Streamlight Plexi Opal Carré 2x13/14W T16	603	1,690
93539	Streamlight Plexi Opal Carré 2x20/24W T16	603	1,690
93541	Streamlight Plexi Opal Carré 2x19/21W T16	902	2,600
93543	Streamlight Plexi Opal Carré 2x34/39W T16	902	2,600
93545	Streamlight Plexi Opal Carré 2x25/28W T16	1203	3,370
93547	Streamlight Plexi Opal Carré 2x50/54W T16	1203	3,370
93549	Streamlight Plexi Opal Carré 2x32/35W T16	1503	4,210
93551	Streamlight Plexi Opal Carré 2x45/49W T16	1503	4,210
93553	Streamlight Plexi Opal Carré 2x73/80W T16	1503	4,210
93563	Streamlight Plexi Opal Carré 2+2x25/28W T16	2268	6,350
93565	Streamlight Plexi Opal Carré 2+2x50/54W T16	2268	6,350
93567	Streamlight Plexi Opal Carré 2+2x32/35W T16	2868	8,030
93569	Streamlight Plexi Opal Carré 2+2x45/49W T16	2868	8,030
93571	Streamlight Plexi Opal Carré 2+2x73/80W T16	2868	8,030



STREAMLIGHT PLEXI OPAL CARRE LED



CE F IP 43

LED

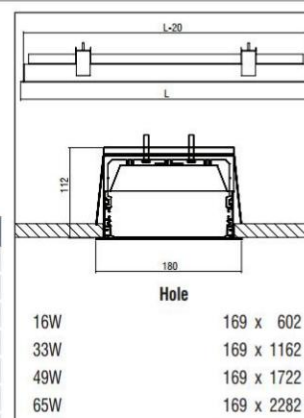
5 YEAR WARRANTY

ta 25°C

Included

- Version for LED CHIP.
- Aluminium body.
- Removable plastic heads.
- High efficient diffuser in opal PMMA.
- Flow recuperator in white colour.
- Suspension brackets not included.
- Efficiency: max.138 Lumen / Watt.

Code	Description	L	Kg
93573	Streamlight Plexi Opal Carré Led 16W 2200 lm Neutral	620	1,820
93574	Streamlight Plexi Opal Carré Led 33W 4400 lm Neutral	1180	3,460
93575	Streamlight Plexi Opal Carré Led 49W 6600 lm Neutral	1740	5,080
93576	Streamlight Plexi Opal Carré Led 65W 8800 lm Neutral	2300	6,750
93577	Streamlight Plexi Opal Carré Led 16W 2200 lm Warm	620	1,820
93578	Streamlight Plexi Opal Carré Led 33W 4400 lm Warm	1180	3,460
93579	Streamlight Plexi Opal Carré Led 49W 6600 lm Warm	1740	5,080
93580	Streamlight Plexi Opal Carré Led 65W 8800 lm Warm	2300	6,750



Colour Codes:

- 0 Colours 1 White 2 Titan 3 Black 5 matt Alum. 9 Anodized

STREAMLIGHT

STREAMLIGHT PLEXI OPAL DOUBLE



CE F IP 43

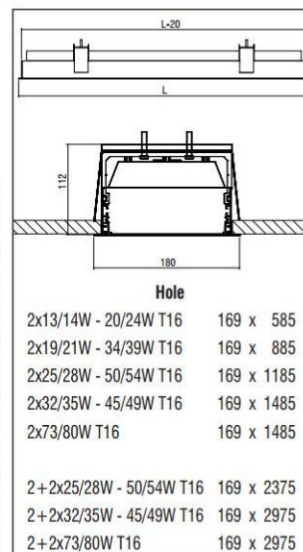
T16

OSRAM: T5 PHILIPS: T15

Included

- Version for T16.
- Aluminium body.
- Removable plastic heads.
- High efficient diffuser in opal PMMA.
- Flow recuperator in white colour.
- Suspension brackets not included.

Code	Description	L	Kg
93637	Streamlight Plexi Opal Double 2x13/14W T16	603	1,690
93639	Streamlight Plexi Opal Double 2x20/24W T16	603	1,690
93641	Streamlight Plexi Opal Double 2x19/21W T16	902	2,600
93643	Streamlight Plexi Opal Double 2x34/39W T16	902	2,600
93645	Streamlight Plexi Opal Double 2x25/28W T16	1203	3,370
93647	Streamlight Plexi Opal Double 2x50/54W T16	1203	3,370
93649	Streamlight Plexi Opal Double 2x32/35W T16	1503	4,210
93651	Streamlight Plexi Opal Double 2x45/49W T16	1503	4,210
93653	Streamlight Plexi Opal Double 2x73/80W T16	1503	4,210
93663	Streamlight Plexi Opal Double 2+2x25/28W T16	2268	6,350
93665	Streamlight Plexi Opal Double 2+2x50/54W T16	2268	6,350
93667	Streamlight Plexi Opal Double 2+2x32/35W T16	2868	8,030
93669	Streamlight Plexi Opal Double 2+2x45/49W T16	2868	8,030
93671	Streamlight Plexi Opal Double 2+2x73/80W T16	2868	8,030



STREAMLIGHT PLEXI OPAL DOUBLE LED



CE F IP 43

LED

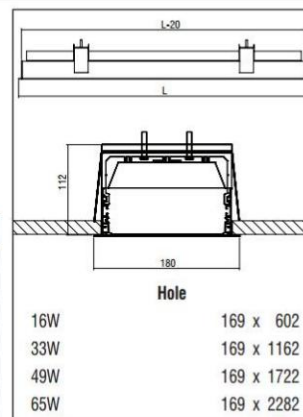
5 YEAR WARRANTY

ta 25°C

Included

- Version for LED CHIP.
- Aluminium body.
- Removable plastic heads.
- High efficient diffuser in opal PMMA.
- Flow recuperator in white colour.
- Suspension brackets not included.
- Efficiency: max.138 Lumen / Watt.

Code	Description	L	Kg
93673	Streamlight Plexi Opal Double Led 16W 2200 lm Neutral	620	1,820
93674	Streamlight Plexi Opal Double Led 33W 4400 lm Neutral	1180	3,460
93675	Streamlight Plexi Opal Double Led 49W 6600 lm Neutral	1740	5,080
93676	Streamlight Plexi Opal Double Led 65W 8800 lm Neutral	2300	6,750
93677	Streamlight Plexi Opal Double Led 16W 2200 lm Warm	620	1,820
93678	Streamlight Plexi Opal Double Led 33W 4400 lm Warm	1180	3,460
93679	Streamlight Plexi Opal Double Led 49W 6600 lm Warm	1740	5,080
93680	Streamlight Plexi Opal Double Led 65W 8800 lm Warm	2300	6,750



Colour Codes:

- 0 Colours 1 White 2 Titan 3 Black 5 matt Alum. 9 Anodized

STREAMLIGHT

STREAMLIGHT WW



CE F IP 43

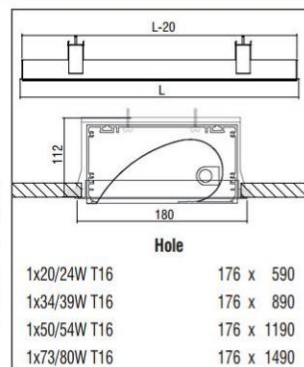
T16

OSRAM: T5 PHILIPS: T16

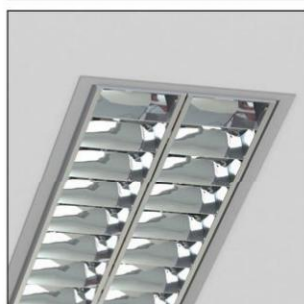
Included

- Version for T16.
- Aluminium body.
- Removable plastic heads.
- High efficient diffuser in opal PMMA.
- Flow recuperator in white colour.
- Suspension brackets not included.

Code	Description	L	Kg
94103	Streamlight WW 1x20/24W T16	600	1,610
94107	Streamlight WW 1x34/39W T16	900	2,420
94111	Streamlight WW 1x50/54W T16	1200	3,220
94117	Streamlight WW 1x73/80W T16	1500	4,020



STREAMLIGHT LOUVRE



CE F IP 43

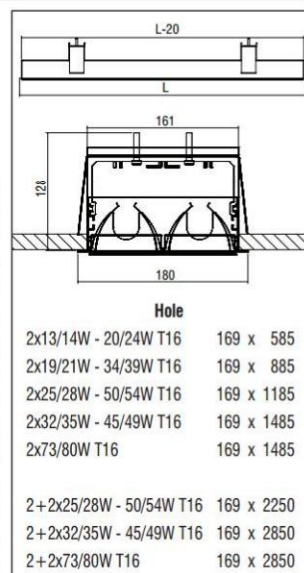
T16

OSRAM: T5 PHILIPS: T16

Included

- Version for T16.
- Aluminium body.
- Removable plastic heads.
- High efficient diffuser in opal PMMA.
- Flow recuperator in white colour.
- Suspension brackets not included.

Code	Description	L	Kg
94237	Streamlight Louvre 2x13/14W T16	603	1,430
94239	Streamlight Louvre 2x20/24W T16	603	1,430
94241	Streamlight Louvre 2x19/21W T16	903	2,130
94243	Streamlight Louvre 2x34/39W T16	903	2,130
94245	Streamlight Louvre 2x25/28W T16	1203	2,840
94247	Streamlight Louvre 2x50/54W T16	1203	2,840
94249	Streamlight Louvre 2x32/35W T16	1503	3,580
94251	Streamlight Louvre 2x45/49W T16	1503	3,580
94253	Streamlight Louvre 2x73/80W T16	1503	3,580
94263	Streamlight Louvre 2+2x25/28W T16	2382	6,580
94265	Streamlight Louvre 2+2x50/54W T16	2382	6,580
94267	Streamlight Louvre 2+2x32/35W T16	2982	8,230
94269	Streamlight Louvre 2+2x45/49W T16	2982	8,230
94271	Streamlight Louvre 2+2x73/80W T16	2982	8,230



Colour Codes:

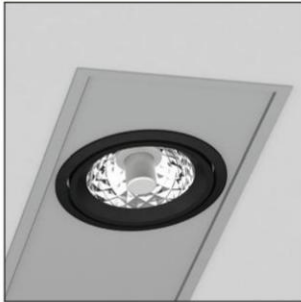
- 0 Colours 1 White 2 Titan 3 Black 5 matt Alum. 9 Anodized



**STREAMLIGHT**

**STREAMLIGHT + Module 60 POSIDON HI-PAR 111**

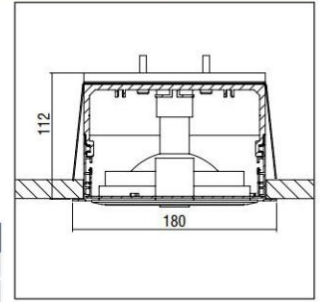
**Module 60 POSIDON HI-PAR 111**



CE	F	850°C	IP 20
70°	350°		
 <small>OSRAM: HCB-H 111 PHILIPS: COM-H 111</small>			Included

- Version for HI-PAR 111/GX8,5.
- Outer adjustable ring from die-cast aluminium.
- Inner ring for easy lamp replacement.

Code	Description	L	Kg
93915	Streamlight Module 60 POSIDON 35W HI-PAR 111/GX8.5	350	1,270
93916	Streamlight Module 60 POSIDON 70W HI-PAR 111/GX8.5	350	1,270



**STREAMLIGHT + Module 60 DIONISOS QR111**

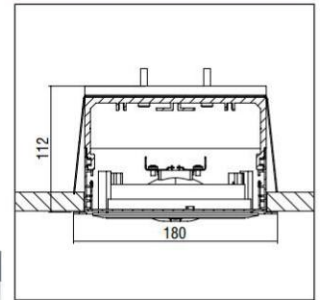
**Module 60 DIONISOS QR111**



CE	F	850°C	IP 20
70°	350°		
 <small>OSRAM: HALEQOPF 111 PHILIPS: ALEQUB 111</small>			Included

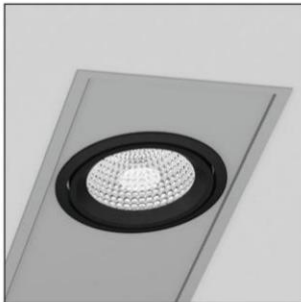
- Version for QR111/G53.
- Outer adjustable ring from die-cast aluminium.
- Inner ring for easy lamp replacement.

Code	Description	L	Kg
93917	Streamlight Module 60 DIONISOS max.70W QR111/G53	350	1,270



**STREAMLIGHT + Module 60 APOLLON HIT-CE**

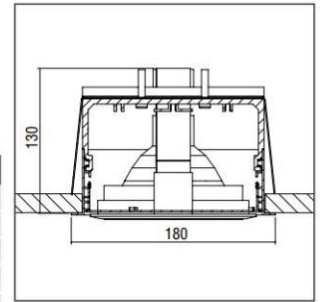
**Module 60 APOLLON HIT-CE**



CE	F	850°C	IP 20
70°	350°		
 <small>OSRAM: HCB-T PHILIPS: COM-T</small>			Included

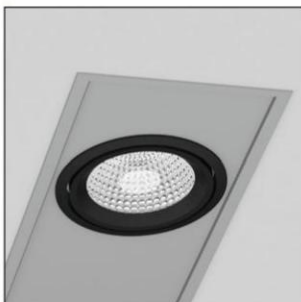
- Version for HIT-CE/G12.
- Outer adjustable ring from die-cast aluminium.
- Inner ring for easy lamp replacement.
- High pure aluminium reflectors in Spot, Medium, Wide.
- Tempered protection glass.

Code	Description	L	Kg
93919	Streamlight Module 60 APOLLON 35W HIT-CE/G12 S	350	1,270
93920	Streamlight Module 60 APOLLON 35W HIT-CE/G12 M	350	1,270
93921	Streamlight Module 60 APOLLON 35W HIT-CE/G12 W	350	1,270
93922	Streamlight Module 60 APOLLON 70W HIT-CE/G12 S	350	1,270
93923	Streamlight Module 60 APOLLON 70W HIT-CE/G12 M	350	1,270
93924	Streamlight Module 60 APOLLON 70W HIT-CE/G12 W	350	1,270



**STREAMLIGHT + Module 60 IFESTOS HIT-TC-CE**

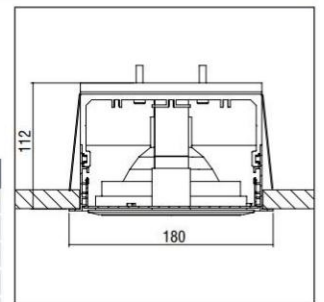
**Module 60 IFESTOS HIT-TC-CE**



CE	F	850°C	IP 20
70°	350°		
 <small>OSRAM: HCB-TC PHILIPS: COM-TC</small>			Included

- Version for HIT-TC-CE/G8,5.
- Outer adjustable ring from die-cast aluminium.
- Inner ring for easy lamp replacement.
- High pure aluminium reflectors in Spot, Medium, Wide.
- Tempered protection glass.

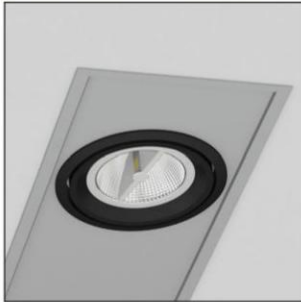
Code	Description	L	Kg
93925	Streamlight Module 60 IFESTOS 35W HIT-TC-CE/G8,5 S	350	1,270
93926	Streamlight Module 60 IFESTOS 35W HIT-TC-CE/G8,5 M	350	1,270
93927	Streamlight Module 60 IFESTOS 35W HIT-TC-CE/G8,5 W	350	1,270
93928	Streamlight Module 60 IFESTOS 70W HIT-TC-CE/G8,5 S	350	1,270
93929	Streamlight Module 60 IFESTOS 70W HIT-TC-CE/G8,5 M	350	1,270
93930	Streamlight Module 60 IFESTOS 70W HIT-TC-CE/G8,5 W	350	1,270



STREAMLIGHT

STREAMLIGHT + Module 60 ARIS LED R111

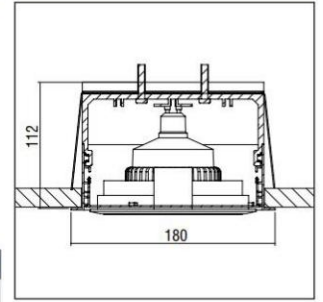
Module 60 ARIS LED R111



CE	F	850°C	IP 20
70°	350°		
LED			

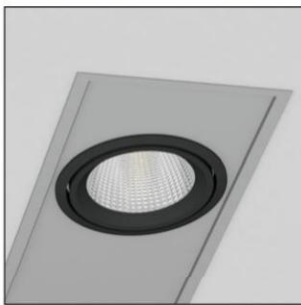
- Version for LED R111/GU10.
- Outer adjustable ring from die-cast aluminium.
- Inner ring for easy lamp replacement.
- Connection for 230V/50Hz.

Code	Description	L	Kg
93918	Streamlight Module 60 ARIS LED R111/GU10/230V	350	1,270



STREAMLIGHT + Module 60 DIAS LED

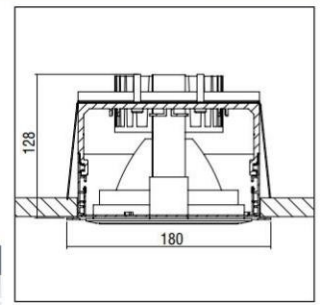
Module 60 DIAS LED



CE	F	850°C	IP 20
70°	350°		
LED	5 YEARS WARRANTY	ta 25°C	Included

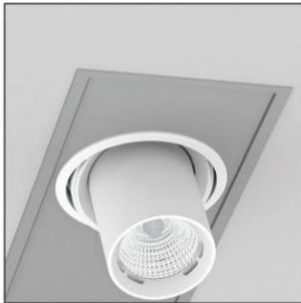
- Version with LED Module.
- Outer adjustable ring from die-cast aluminium.
- 22W power consumption driven at 500mA.
- 30W power consumption driven at 700mA.
- Efficiency:
  - 22W: 4000 K: 1800 Lumen, CRI: min. 75
  - 22W: 3000 K: 1800 Lumen, CRI: min. 80
  - 30W: 4000 K: 2830 Lumen, CRI: min. 75
  - 30W: 3000 K: 2830 Lumen, CRI: min. 80
- Maximum: 95 Lm/W

Code	Description	L	Kg
93931	Streamlight Module 60 DIAS LED CHIP 22W	350	1,270
93932	Streamlight Module 60 DIAS LED CHIP 30W	350	1,270



STREAMLIGHT + Module 60 KRONOS HIT-TC-CE

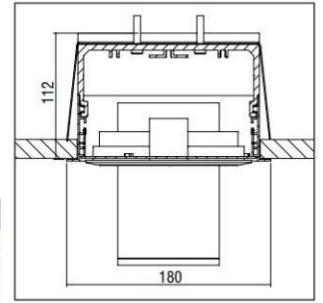
Module 60 KRONOS HIT-TC-CE



CE	F	850°C	IP 20
60°	350°		
HIT-TC-CE/GU6,5			Included

- Version for HIT-TC-CE/GU6,5.
- Outer adjustable ring from die-cast aluminium.
- Die-cast aluminium spot inside.
- High pure aluminium reflectors in Spot, Medium, Wide.
- Tempered protection glass.

Code	Description	L	Kg
93933	Streamlight Module 60 KRONOS 20W HIT-TC-CE /GU6,5 S	350	1,170
93934	Streamlight Module 60 KRONOS 20W HIT-TC-CE /GU6,5 M	350	1,170
93935	Streamlight Module 60 KRONOS 20W HIT-TC-CE /GU6,5 W	350	1,170
93936	Streamlight Module 60 KRONOS 35W HIT-TC-CE /GU6,5 S	350	1,170
93937	Streamlight Module 60 KRONOS 35W HIT-TC-CE /GU6,5 M	350	1,170
93938	Streamlight Module 60 KRONOS 35W HIT-TC-CE /GU6,5 W	350	1,170



STREAMLIGHT + Module 60 KRONOS LED

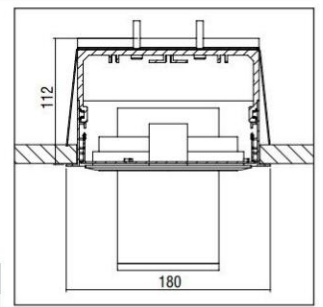
Module 60 KRONOS LED



CE	F	850°C	IP 20
60°	350°		
LED	5 YEARS WARRANTY	ta 25°C	Included

- Version with LED Module.
- Outer adjustable ring from die-cast aluminium.
- Die-cast aluminium spot inside.
- 22W power consumption driven at 500mA.
- Efficiency:
  - 22W: 4000 K: 1800 Lumen, CRI: min. 75
  - 22W: 3000 K: 1800 Lumen, CRI: min. 80
- Maximum: 95 Lm/W

Code	Description	L	Kg
93939	Streamlight Module 60 KRONOS LED CHIP 22W	350	1,170

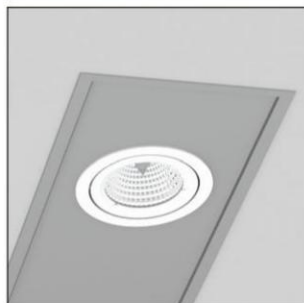




STREAMLIGHT

STREAMLIGHT + Module 40 THETIS HIT-TC-CE

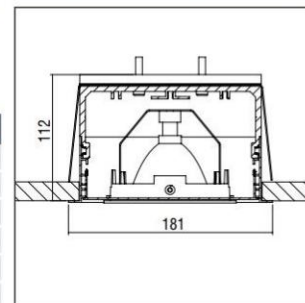
Module 40 THETIS HIT-TC-CE



CE	F	IP 20
60°	350°	
HIT-TC-CE/GU6,5		Included
GU6,5		

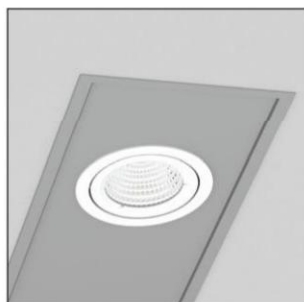
- Version for HIT-TC-CE/GU6,5.
- Reflector: Spot, Medium, Wide.
- Tempered protection glass.

Code	Description	L	Kg
93941	Streamlight Module 40 THETIS 20W HIT-TC-CE/GU6,5 S	350	1,580
93942	Streamlight Module 40 THETIS 20W HIT-TC-CE/GU6,5 M	350	1,580
93943	Streamlight Module 40 THETIS 20W HIT-TC-CE/GU6,5 W	350	1,580
93944	Streamlight 2x Module 40 THETIS 20W HIT-TC-CE/GU6,5 S	550	2,480
93945	Streamlight 2x Module 40 THETIS 20W HIT-TC-CE/GU6,5 M	550	2,480
93946	Streamlight 2x Module 40 THETIS 20W HIT-TC-CE/GU6,5 W	550	2,480
93947	Streamlight Module 40 THETIS 35W HIT-TC-CE/GU6,5 S	350	1,580
93948	Streamlight Module 40 THETIS 35W HIT-TC-CE/GU6,5 M	350	1,580
93949	Streamlight Module 40 THETIS 35W HIT-TC-CE/GU6,5 W	350	1,580
93950	Streamlight 2x Module 40 THETIS 35W HIT-TC-CE/GU6,5 S	550	2,480
93951	Streamlight 2x Module 40 THETIS 35W HIT-TC-CE/GU6,5 M	550	2,480
93952	Streamlight 2x Module 40 THETIS 35W HIT-TC-CE/GU6,5 W	550	2,480



STREAMLIGHT + Module 40 HERCULES LED REFLECTOR

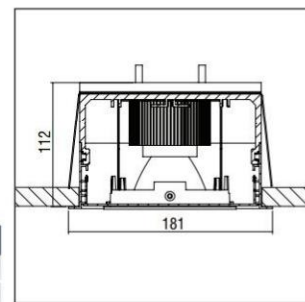
Module 40 HERCULES LED REFLECTOR



CE	F	850°C	IP 20
60°	350°		
LED	5	ta 25°C	Included

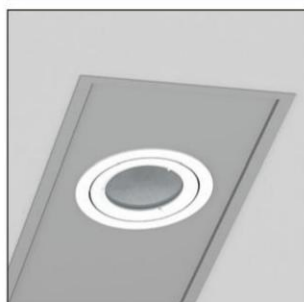
- Reflectors: Spot, Medium, Wide.
  - 7W power consumption driven at 350mA.
  - 10,5W power consumption driven at 500mA.
  - Efficiency:
- |        |         |                                    |
|--------|---------|------------------------------------|
| 7W:    | 4000 K: | 810 Lumen, CRI: min. 80, 116 Lm/W  |
| 7W:    | 3000 K: | 720 Lumen, CRI: min. 80, 103 Lm/W  |
| 10,5W: | 4000 K: | 1140 Lumen, CRI: min. 80, 109 Lm/W |
| 10,5W: | 3000 K: | 1000 Lumen, CRI: min. 80, 95 Lm/W  |

Code	Description	L	Kg
93953	Streamlight Module 40 HERCULES LED REFLECTOR 7/10,5W	350	1,580
93954	Streamlight 2x Module 40 HERCULES LED REFLECTOR 7/10,5W	550	2,480



STREAMLIGHT + Module 40 IASON LED REFLECTOR HO

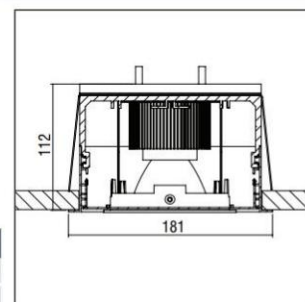
Module 40 IASON LED REFLECTOR HO



CE	F	850°C	IP 20
60°	350°		
LED	5	ta 25°C	Included

- Reflectors: Spot, Medium, Wide.
  - 7W power consumption driven at 350mA.
  - 10,5W power consumption driven at 500mA.
  - Efficiency:
- |        |         |                                    |
|--------|---------|------------------------------------|
| 7W:    | 4000 K: | 810 Lumen, CRI: min. 80, 116 Lm/W  |
| 7W:    | 3000 K: | 720 Lumen, CRI: min. 80, 103 Lm/W  |
| 10,5W: | 4000 K: | 1140 Lumen, CRI: min. 80, 109 Lm/W |
| 10,5W: | 3000 K: | 1000 Lumen, CRI: min. 80, 95 Lm/W  |

Code	Description	L	Kg
93955	Streamlight Module 40 IASON LED REFLECTOR HO 7/10,5W	350	1,580
93956	Streamlight 2x Module 40 IASON LED REFLECTOR HO 7/10,5W	550	2,480



LED COLOUR CODES:

2 Warm 3 Neutral

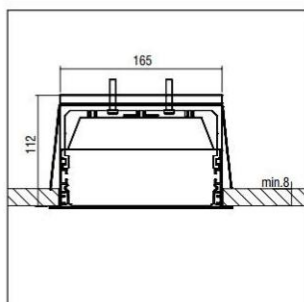
BEAM CODES:

01 spot 02 medium 03 wide 04 spot HO 05 medium HO 06 wide HO

Colour Codes:

0 Colours 1 White 2 Titan 3 Black 5 matt Alum. 9 Anodized

STREAMLIGHT ACCESSORIES



CE		
----	--	--

- Metal suspension bracket.
- Required 1pc per 0,5m profile length.

Code	Description	Kg
900720	Suspension Bracket Streamlight	0,270



STREAMLIGHT

