

## SLOTLIGHT FRAME



The unique anaglyph frame gives SLOTLIGHT FRAME a strong architectural identity. This, in combination with the perfect lighting conditions without annoying reflections, make this luminaire suitable for many different working areas (offices, houses, entrance areas etc). Uniformly illuminated lines with no dark shadows can be created thanks to the "tetris" installation of the T16 fluorescent lamps. The LED version escapes the restrictions of the T16 fluorescent lamps, by using LED lighting points that can have any spacing pitch, and this gives the light line enormous flexibility. The visual benefit: The continuous-row system is illuminated absolutely uniformly from beginning to end, is economically efficient, maintenance free and it has long service-life.

### Technical Features

- Housing from aluminium profile, painted electrostatically in selected colour.
- High efficient diffuser in opal PMMA.
- Flow recuperator in white colour.

#### Upon request

- Connection for operation with electronic dimmable ballast.

#### For LED Version

- Pure light without IR/UV radiation.
- Efficient thermal management.
- Up to 28W/m and 3864 Lm luminous flux range.
- Operation life: 50,000 hours with efficiency > 70% of the initial luminous flux.
- Connection for operation on 230V/50Hz.

#### Upon request:

Available with highest colour rendering index (CRI)

SLOTLIGHT FRAME

SLOTLIGHT FRAME



CE F IP 20 43

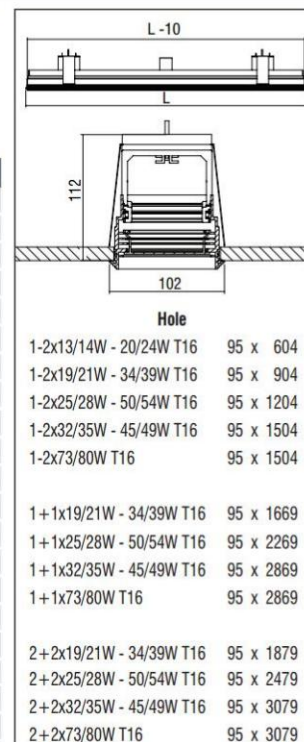
T16 SEAMLESS

OSRAM T5 PHILIPS T5 OSRAM SEAMLESS

Included

- Version for T16.
- Aluminium body.
- High efficient diffuser in opal PMMA.
- Flow recuperator in white colour.
- Suspension brackets not included.

Code	Description	L	Kg
92501	Slotlight Frame 1x13/14W T16	610	1,700
92503	Slotlight Frame 1x20/24W T16	610	1,700
92505	Slotlight Frame 1x19/21W T16	910	2,900
92507	Slotlight Frame 1x34/39W T16	910	2,900
92509	Slotlight Frame 1x25/28W T16	1210	3,400
92511	Slotlight Frame 1x50/54W T16	1210	3,400
92513	Slotlight Frame 1x32/35W T16	1510	4,250
92515	Slotlight Frame 1x45/49W T16	1510	4,250
92517	Slotlight Frame 1x73/80W T16	1510	4,250
92537	Slotlight Frame 2x13/14W T16	610	1,700
92539	Slotlight Frame 2x20/24W T16	610	1,700
92541	Slotlight Frame 2x19/21W T16	910	2,900
92543	Slotlight Frame 2x34/39W T16	910	2,900
92545	Slotlight Frame 2x25/28W T16	1210	3,400
92547	Slotlight Frame 2x50/54W T16	1210	3,400
92549	Slotlight Frame 2x32/35W T16	1510	4,250
92551	Slotlight Frame 2x45/49W T16	1510	4,250
92553	Slotlight Frame 2x73/80W T16	1510	4,250
92523	Slotlight Frame 1 + 1x19/21W T16	1675	4,700
92525	Slotlight Frame 1 + 1x34/39W T16	1675	4,700
92527	Slotlight Frame 1 + 1x25/28W T16	2275	6,400
92529	Slotlight Frame 1 + 1x50/54W T16	2275	6,400
92531	Slotlight Frame 1 + 1x32/35W T16	2875	8,050
92533	Slotlight Frame 1 + 1x45/49W T16	2875	8,050
92535	Slotlight Frame 1 + 1x73/80W T16	2875	8,050
92559	Slotlight Frame 2 + 2x19/21W T16	1885	5,280
92561	Slotlight Frame 2 + 2x34/39W T16	1885	5,280
92563	Slotlight Frame 2 + 2x25/28W T16	2485	7,000
92565	Slotlight Frame 2 + 2x50/54W T16	2485	7,000
92567	Slotlight Frame 2 + 2x32/35W T16	3085	8,650
92569	Slotlight Frame 2 + 2x45/49W T16	3085	8,650
92571	Slotlight Frame 2 + 2x73/80W T16	3085	8,650



SLOTLIGHT FRAME LED



CE F IP 20 43

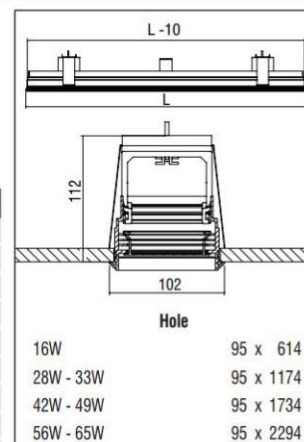
LED

ta 25°C

Included

- Version for LED CHIP.
- Aluminium body.
- High efficient diffuser in opal PMMA.
- Flow recuperator in white colour.
- Suspension brackets not included.
- Efficiency: max.138 Lumen / Watt.

Code	Description	L	Kg
92573	Slotlight Frame Led 16W 2200 lm Neutral	620	1,750
92574	Slotlight Frame Led 28W 3100 lm Neutral	1180	3,310
92575	Slotlight Frame Led 33W 4400 lm Neutral	1180	3,310
92576	Slotlight Frame Led 42W 4650 lm Neutral	1740	4,900
92577	Slotlight Frame Led 49W 6600 lm Neutral	1740	4,900
92578	Slotlight Frame Led 56W 6200 lm Neutral	2300	6,450
92579	Slotlight Frame Led 65W 8800 lm Neutral	2300	6,450
92580	Slotlight Frame Led 16W 2200 lm Warm	620	1,750
92582	Slotlight Frame Led 33W 4400 lm Warm	1180	3,310
92584	Slotlight Frame Led 49W 6600 lm Warm	1740	4,900
92586	Slotlight Frame Led 65W 8800 lm Warm	2300	6,450

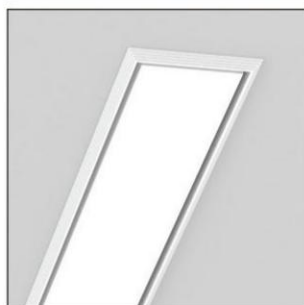


Colour Codes:

- 0 Colours 1 White 2 Titan 3 Black 5 matt Alum.

SLOTLIGHT FRAME

SLOTLIGHT FRAME ANAGLYPH



CE F IP 43

T16

OSRAM T5 PHILIPS T16

Included

- Version for T16.
- Aluminium body.
- Diffuser in opal of 10mm PMMA.
- Flow recuperator in white colour.
- Suspension brackets not included.

Code	Description	L	Kg
92601	Slotlight Frame Anaglyph 1x13/14W T16	610	2,100
92603	Slotlight Frame Anaglyph 1x20/24W T16	610	2,100
92605	Slotlight Frame Anaglyph 1x19/21W T16	910	3,140
92607	Slotlight Frame Anaglyph 1x34/39W T16	910	3,140
92609	Slotlight Frame Anaglyph 1x25/28W T16	1210	4,170
92611	Slotlight Frame Anaglyph 1x50/54W T16	1210	4,170
92613	Slotlight Frame Anaglyph 1x32/35W T16	1510	5,200
92615	Slotlight Frame Anaglyph 1x45/49W T16	1510	5,200
92617	Slotlight Frame Anaglyph 1x73/80W T16	1510	5,200
92637	Slotlight Frame Anaglyph 2x13/14W T16	610	2,100
92639	Slotlight Frame Anaglyph 2x20/24W T16	610	2,100
92641	Slotlight Frame Anaglyph 2x19/21W T16	910	3,140
92643	Slotlight Frame Anaglyph 2x34/39W T16	910	3,140
92645	Slotlight Frame Anaglyph 2x25/28W T16	1210	4,170
92647	Slotlight Frame Anaglyph 2x50/54W T16	1210	4,170
92649	Slotlight Frame Anaglyph 2x32/35W T16	1510	5,200
92651	Slotlight Frame Anaglyph 2x45/49W T16	1510	5,200
92653	Slotlight Frame Anaglyph 2x73/80W T16	1510	5,200
92623	Slotlight Frame Anaglyph 1+1x19/21W T16	1675	5,770
92625	Slotlight Frame Anaglyph 1+1x34/39W T16	1675	5,770
92627	Slotlight Frame Anaglyph 1+1x25/28W T16	2275	7,830
92629	Slotlight Frame Anaglyph 1+1x50/54W T16	2275	7,830
92631	Slotlight Frame Anaglyph 1+1x32/35W T16	2875	9,890
92633	Slotlight Frame Anaglyph 1+1x45/49W T16	2875	9,890
92635	Slotlight Frame Anaglyph 1+1x73/80W T16	2875	9,890
92659	Slotlight Frame Anaglyph 2+2x19/21W T16	1885	6,490
92661	Slotlight Frame Anaglyph 2+2x34/39W T16	1885	6,490
92663	Slotlight Frame Anaglyph 2+2x25/28W T16	2485	8,550
92665	Slotlight Frame Anaglyph 2+2x50/54W T16	2485	8,550
92667	Slotlight Frame Anaglyph 2+2x32/35W T16	3085	10,620
92669	Slotlight Frame Anaglyph 2+2x45/49W T16	3085	10,620
92671	Slotlight Frame Anaglyph 2+2x73/80W T16	3085	10,620

Hole

1-2x13/14W - 20/24W T16 95 x 604

1-2x19/21W - 34/39W T16 95 x 904

1-2x25/28W - 50/54W T16 95 x 1204

1-2x32/35W - 45/49W T16 95 x 1504

1-2x73/80W T16 95 x 1504

1+1x19/21W - 34/39W T16 95 x 1669

1+1x25/28W - 50/54W T16 95 x 2269

1+1x32/35W - 45/49W T16 95 x 2869

1+1x73/80W T16 95 x 2869

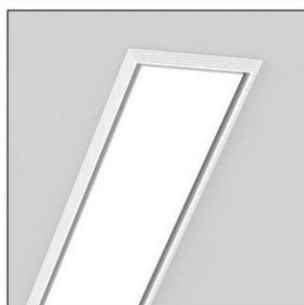
2+2x19/21W - 34/39W T16 95 x 1879

2+2x25/28W - 50/54W T16 95 x 2479

2+2x32/35W - 45/49W T16 95 x 3079

2+2x73/80W T16 95 x 3079

SLOTLIGHT FRAME ANAGLYPH LED



CE F IP 20 43

LED

ta 25°C

Included

- Version for LED CHIP.
- Aluminium body.
- Diffuser in opal of 10mm PMMA.
- Flow recuperator in white colour.
- Suspension brackets not included.
- Efficiency: max.138 Lumen / Watt.

Code	Description	L	Kg
92673	Slotlight Frame Anaglyph Led 16W 2200 lm Neutral	620	2,140
92674	Slotlight Frame Anaglyph Led 28W 3100 lm Neutral	1180	4,060
92675	Slotlight Frame Anaglyph Led 33W 4400 lm Neutral	1180	4,060
92676	Slotlight Frame Anaglyph Led 42W 4650 lm Neutral	1740	5,990
92677	Slotlight Frame Anaglyph Led 49W 6600 lm Neutral	1740	5,990
92678	Slotlight Frame Anaglyph Led 56W 6200 lm Neutral	2300	7,920
92679	Slotlight Frame Anaglyph Led 65W 8800 lm Neutral	2300	7,920
92680	Slotlight Frame Anaglyph Led 16W 2200 lm Warm	620	2,140
92682	Slotlight Frame Anaglyph Led 33W 4400 lm Warm	1180	4,060
92684	Slotlight Frame Anaglyph Led 49W 6600 lm Warm	1740	5,990
92686	Slotlight Frame Anaglyph Led 65W 8800 lm Warm	2300	7,920

Hole

16W 95 x 614

28W - 33W 95 x 1174

42W - 49W 95 x 1734

56W - 65W 95 x 2294

Colour Codes:

- 0 Colours 1 White 2 Titan 3 Black 5 matt Alum.

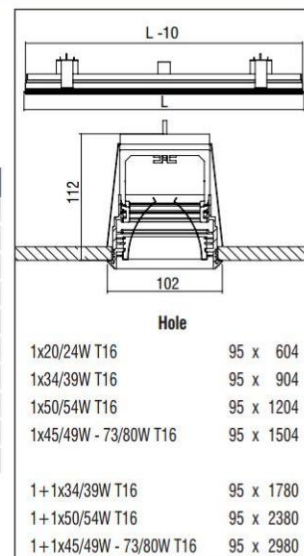
SLOTLIGHT FRAME

SLOTLIGHT FRAME LOUVRE



- Version for T16.
- Aluminium body.
- Parabolic reflector in specular anodized aluminium.
- Suspension brackets not included.

Code	Description	L	Kg
94303	Slotlight Frame Louvre 1x20/24W T16	610	1,300
94307	Slotlight Frame Louvre 1x34/39W T16	910	1,950
94311	Slotlight Frame Louvre 1x50/54W T16	1210	2,580
94315	Slotlight Frame Louvre 1x45/49W T16	1510	3,220
94317	Slotlight Frame Louvre 1x73/80W T16	1510	3,220
94325	Slotlight Frame Louvre 1+1x34/39W T16	1786	3,800
94329	Slotlight Frame Louvre 1+1x50/54W T16	2386	6,050
94333	Slotlight Frame Louvre 1+1x45/49W T16	2986	6,360
94335	Slotlight Frame Louvre 1+1x73/80W T16	2986	6,360



Colour Codes:

- 0 Colours
 1 White
 2 Titan
 3 Black
 5 matt Alum.

SLOTLIGHT FRAME

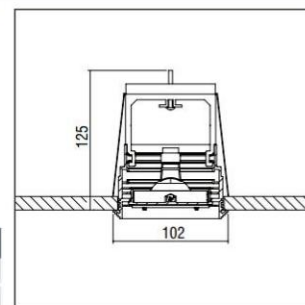
SLOTLIGHT FRAME + Module 50 G5.3



CE	F	850°C	IP 20
25°	350°		
QUADRA RECTORIA 11°			
			12V

- Simple version for incandescent halogen max.50W 12V (QR-CBC 51).

Code	Description	L	Kg
95204	Slotlight Frame Module 50 1x max.50W/G5,3	300	1,270
95205	Slotlight Frame Module 50 2x max.50W/G5,3	450	1,900



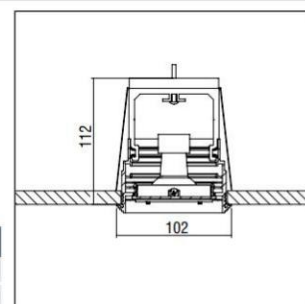
SLOTLIGHT FRAME + Module 50 GU10



CE	F	850°C	IP 20
30°	350°		
PAR 16	LED	FLUO	

- Simple version for incandescent halogen max.50W 230V (PAR16).

Code	Description	L	Kg
95201	Slotlight Frame Module 50 1x max.50W/GU10	170	0,720
95202	Slotlight Frame Module 50 2x max.50W/GU10	250	1,050



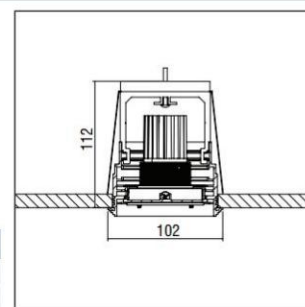
SLOTLIGHT FRAME + Module 50 IRA 2 Reflector



CE	F	850°C	IP 20
25°	350°		
LED	5	ta 25°C	350mA

- Reflectors: Medium, Wide.  
 - 7W power consumption driven at 350mA.  
 - Efficiency:  
 4000 K: 825 Lumen, CRI: min. 80  
 3000 K: 720 Lumen, CRI: min. 80  
 Maximum: 118 Lm/W

Code	Description	L	Kg
95207	Slotlight Frame Module 50 1x IRA 2 7W Reflector	300	1,270
95208	Slotlight Frame Module 50 2x IRA 2 7W Reflector	450	1,900



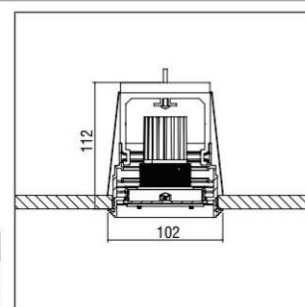
SLOTLIGHT FRAME + Module 50 DIMITRA 2 Reflector HO



CE	F	850°C	IP 40
25°	350°		
LED	5	ta 25°C	500mA

- Reflectors: Spot, Medium, Wide.  
 - 5W power consumption driven at 500mA.  
 - Efficiency:  
 5W: 4000 K: 419 Lumen, CRI: min. 80  
 5W: 3000 K: 419 Lumen, CRI: min. 80  
 Maximum: 84 Lm/W

Code	Description	L	Kg
95209	Slotlight Frame Module 50 1x DIMITRA 2 5W Ref.HO	300	1,270
95210	Slotlight Frame Module 50 2x DIMITRA 2 5W Ref.HO	450	1,900



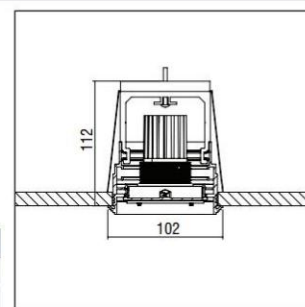
SLOTLIGHT FRAME + Module 50 ARTEMIS 2 Diffuser Prismatic



CE	F	850°C	IP 40
25°	350°		
D	LED	5	ta 25°C
			350/500mA

- Beam: Diffuser.  
 - 5W power consumption driven at 500mA.  
 - 7W power consumption driven at 350mA.  
 - Efficiency:  
 5W: 4000 K: 419 Lumen, CRI: min. 80  
 5W: 3000 K: 419 Lumen, CRI: min. 80  
 7W: 4000 K: 825 Lumen, CRI: min. 80  
 7W: 3000 K: 720 Lumen, CRI: min. 80  
 Maximum: 118 Lm/W

Code	Description	L	Kg
95211	Slotlight Frame Module 50 1x ARTEMIS 2 5W Diffuser Prism.	300	1,270
95212	Slotlight Frame Module 50 2x ARTEMIS 2 5W Diffuser Prism.	450	1,900
95213	Slotlight Frame Module 50 1x ARTEMIS 2 7W Diffuser Prism.	300	1,270
95214	Slotlight Frame Module 50 2x ARTEMIS 2 7W Diffuser Prism.	450	1,900



SLOTLIGHT FRAME

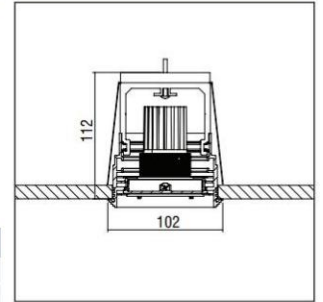
SLOTLIGHT FRAME + Module 50 ATHINA 2 Diffuser Opal



CE	F	850°C	IP 40
20°	350°		
D			
LED	50000h	ta 25°C	350/500mA

- Beam: Diffuser.
- 5W power consumption driven at 500mA.
- 7W power consumption driven at 350mA.
- Efficiency:
  - 5W: 4000 K: 419 Lumen, CRI: min. 80
  - 5W: 3000 K: 419 Lumen, CRI: min. 80
  - 7W: 4000 K: 825 Lumen, CRI: min. 80
  - 7W: 3000 K: 720 Lumen, CRI: min. 80
- Maximum: 118 Lm/W

Code	Description	L	Kg
95215 00	Slotlight Frame Module 50 1x ATHINA 2 5W Diffuser Opal	300	1,270
95216 00	Slotlight Frame Module 50 2x ATHINA 2 5W Diffuser Opal	450	1,900
95217 00	Slotlight Frame Module 50 1x ATHINA 2 7W Diffuser Opal	300	1,270
95218 00	Slotlight Frame Module 50 2x ATHINA 2 7W Diffuser Opal	450	1,900



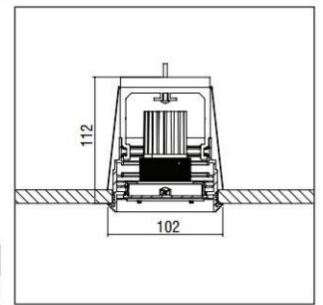
SLOTLIGHT FRAME + Module 50 VENUS 2 Lens



CE	F	850°C	IP 40
25°	350°		
LED	50000h	ta 25°C	350/700mA

- Lens: Spot, Medium, Wide.
- 3W power consumption driven at 350mA.
- 6W power consumption driven at 700mA.
- Efficiency:
  - 3W: 4000 K: 321 Lumen, CRI: min. 75
  - 3W: 3000 K: 300 Lumen, CRI: min. 80
  - 6W: 4000 K: 600 Lumen, CRI: min. 75
  - 6W: 3000 K: 570 Lumen, CRI: min. 80
- Maximum: 107 Lm/W

Code	Description	L	Kg
95219	Slotlight Frame Module 50 1x VENUS 2 3W/6W Lens	300	1,270
95220	Slotlight Frame Module 50 2x VENUS 2 3W/6W Lens	450	1,900



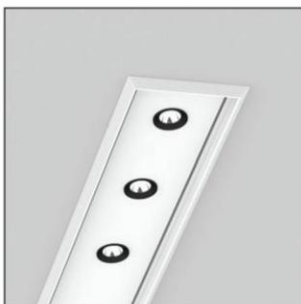
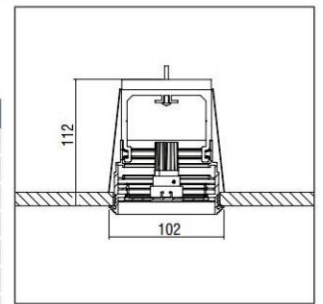
SLOTLIGHT FRAME + Module 30



CE	F		IP 20
0°	0°		
LED	50000h	ta 25°C	Included

- Version for LED CHIP.
- Aluminium body.
- Lens in Spot, Medium, Wide or spot reflector selection.

Code	Description	L	Kg
95221	Slotlight Frame Module 30 1x2W Lens	240	1,020
95222	Slotlight Frame Module 30 2x2W Lens	320	1,350
95223	Slotlight Frame Module 30 3x2W Lens	400	1,690
95224 01	Slotlight Frame Module 30 1x2W Reflector	240	1,020
95225 01	Slotlight Frame Module 30 2x2W Reflector	320	1,350
95226 01	Slotlight Frame Module 30 3x2W Reflector	400	1,690

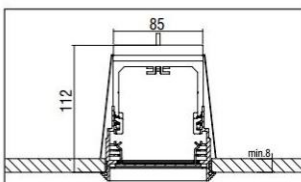


**LED COLOUR CODES:**  
2 Warm 3 Neutral

**BEAM CODES:**  
01 spot 02 medium 03 wide

**Colour Codes:**  
0 Colours 1 White 2 Titan 3 Black 5 matt Alum.

SLOTLIGHT FRAME ACCESSORIES



CE			

- Metal suspension bracket.
- Required 1pc per 1m profile length.

Code	Description	Kg
900210	Suspension Bracket Slotlight Frame	0,470