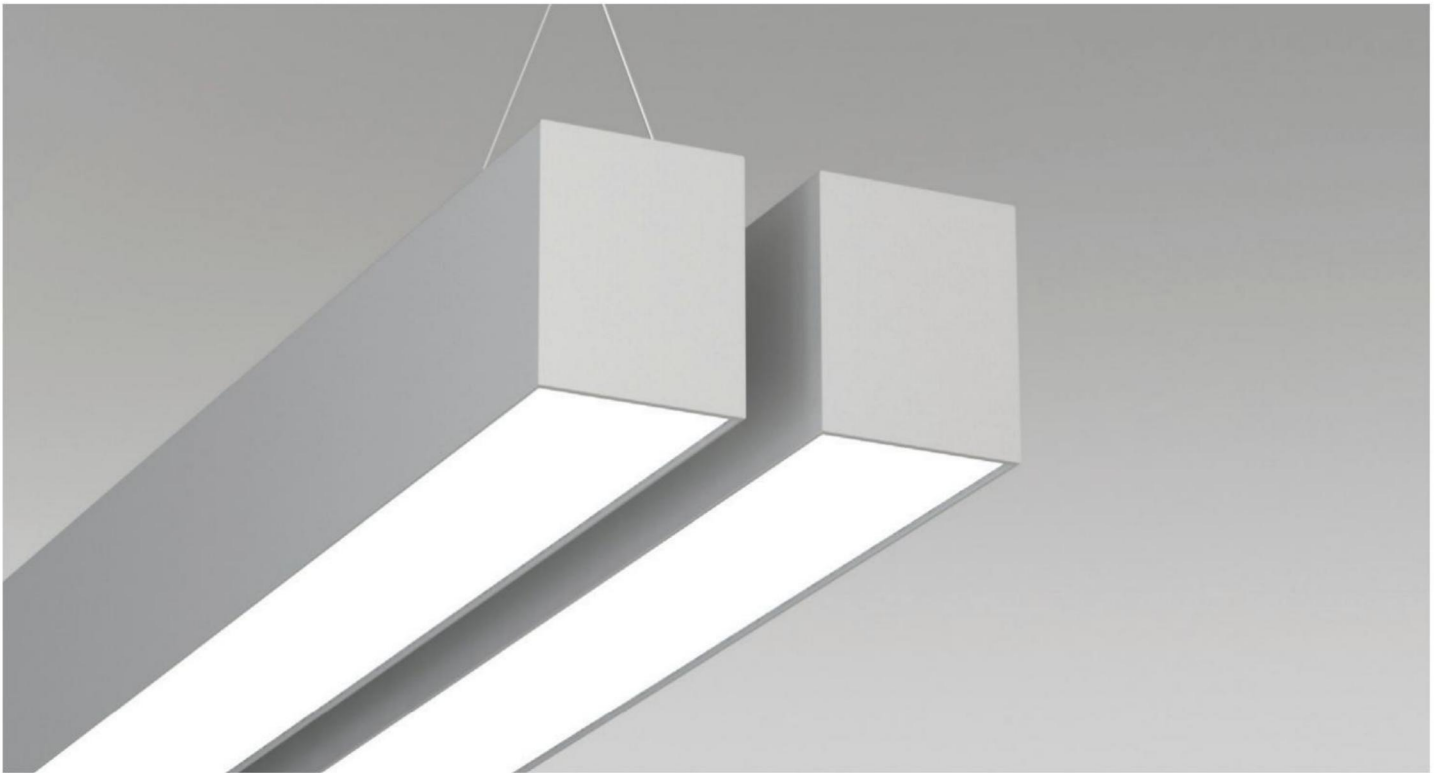


## SLOTLIGHT



This luminaire combines the architectural style with the efficiency. It produces perfect lighting conditions without annoying reflections and that is why it can be used from entrance areas to offices. Uniformly illuminated lines with no dark shadows can be created thanks to the Tetris technology of T16 lamps.

The LED version escapes the restrictions of the T16 lamp by using LED lighting points that can have any spacing pitch and this gives the light line enormous flexibility. The visual benefit: The continuous-row system is illuminated absolutely uniformly from beginning to end, is economically efficient, is maintenance-free and it has long service life.

## Technical Features

- Housing from aluminium profile, painted electrostatically in selected colour.
- Removable plastic heads.
- High efficient diffuser in opal PMMA.
- Flow recuperator in white colour.

**Upon request**

- Connection for operation with electronic dimmable ballast.

**Upon request:**

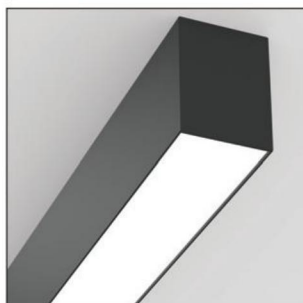
Available with highest colour rendering index (CRI)

**For LED Version**

- Pure light without IR/UV radiation.
- Efficient thermal management.
- Up to 28W/m and 3864 Lm luminous flux range.
- Operation life: 50,000 hours with efficiency > 70% of the initial luminous flux.
- Connection for operation on 230V/50Hz.

SLOTLIGHT

SLOTLIGHT



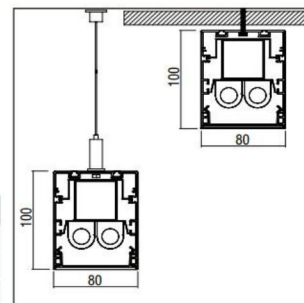
CE F IP 43

T16

OSRAM: T5 PHILIPS: T15

Included

- Version for T16.
- Aluminium body.
- Removable plastic heads.
- High efficient diffuser in opal PMMA.
- Flow recuperator in white colour.
- Suspension and power supply not included.



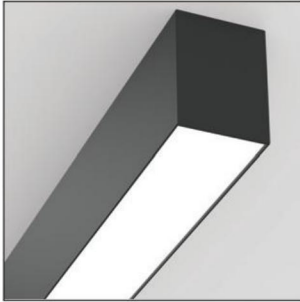
Code	Description	L	Kg
90101	Slotlight 1x13/14W T16	585	1,650
90103	Slotlight 1x20/24W T16	585	1,650
90105	Slotlight 1x19/21W T16	885	2,350
90107	Slotlight 1x34/39W T16	885	2,400
90109	Slotlight 1x25/28W T16	1185	3,600
90111	Slotlight 1x50/54W T16	1185	3,600
90113	Slotlight 1x32/35W T16	1485	3,750
90115	Slotlight 1x45/49W T16	1485	3,750
90117	Slotlight 1x73/80W T16	1485	3,750
90137	Slotlight 2x13/14W T16	585	1,980
90139	Slotlight 2x20/24W T16	585	1,980
90141	Slotlight 2x19/21W T16	885	2,360
90143	Slotlight 2x34/39W T16	885	2,360
90145	Slotlight 2x25/28W T16	1185	3,670
90147	Slotlight 2x50/54W T16	1185	3,670
90149	Slotlight 2x32/35W T16	1485	3,870
90151	Slotlight 2x45/49W T16	1485	3,870
90153	Slotlight 2x73/80W T16	1485	3,870
90119	Slotlight 1 + 1x13/14W T16	1050	2,900
90121	Slotlight 1 + 1x20/24W T16	1050	2,900
90123	Slotlight 1 + 1x19/21W T16	1650	3,500
90125	Slotlight 1 + 1x34/39W T16	1650	3,500
90127	Slotlight 1 + 1x25/28W T16	2250	5,850
90129	Slotlight 1 + 1x50/54W T16	2250	5,880
90131	Slotlight 1 + 1x32/35W T16	2850	7,230
90133	Slotlight 1 + 1x45/49W T16	2850	7,230
90135	Slotlight 1 + 1x73/80W T16	2850	7,230
90155	Slotlight 2 + 2x13/14W T16	1262	3,500
90157	Slotlight 2 + 2x20/24W T16	1262	3,500
90159	Slotlight 2 + 2x19/21W T16	1862	5,300
90161	Slotlight 2 + 2x34/39W T16	1862	5,300
90163	Slotlight 2 + 2x25/28W T16	2462	7,130
90165	Slotlight 2 + 2x50/54W T16	2462	7,130
90167	Slotlight 2 + 2x32/35W T16	3062	9,400
90169	Slotlight 2 + 2x45/49W T16	3062	9,400
90171	Slotlight 2 + 2x73/80W T16	3062	9,400

Colour Codes:

- 0 Colours 1 White 2 Titan 3 Black 5 matt Alum. 9 Anodized

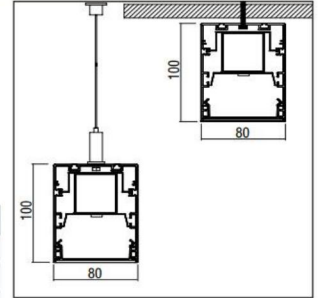
SLOTLIGHT

SLOTLIGHT LED



CE	F	IP 43
LED	5 YEARS WARRANTY	ta 25°C
		Included

- Version for LED CHIP.
- Aluminium body.
- Removable plastic heads.
- High efficient diffuser in opal PMMA.
- Flow recuperator in white colour.
- Suspension and power supply not included.
- Efficiency: max.138 Lumen / Watt.



Code	Description	L	Kg
90173	Slotlight Led 16W 2200 lm Neutral	600	1,800
90174	Slotlight Led 28W 3100 lm Neutral	1160	3,500
90175	Slotlight Led 33W 4400 lm Neutral	1160	3,500
90176	Slotlight Led 42W 4650 lm Neutral	1720	4,500
90177	Slotlight Led 49W 6600 lm Neutral	1720	4,500
90178	Slotlight Led 56W 6200 lm Neutral	2280	5,900
90179	Slotlight Led 65W 8800 lm Neutral	2280	5,900
90180	Slotlight Led 16W 2200 lm Warm	600	1,800
90182	Slotlight Led 33W 4400 lm Warm	1160	3,500
90184	Slotlight Led 49W 6600 lm Warm	1720	4,500
90186	Slotlight Led 65W 8800 lm Warm	2280	5,900

Colour Codes:

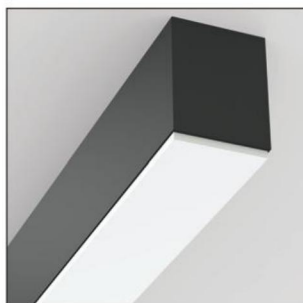
- 0 Colours 1 White 2 Titan 3 Black 5 matt Alum. 9 Anodized





SLOTLIGHT

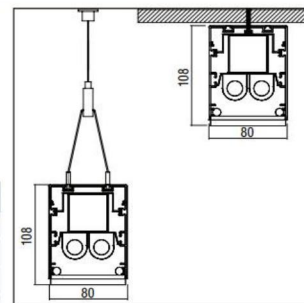
SLOTLIGHT ANAGLYPH



T16  
 OSRAM TO PHILIPS T16

Included

- Version for T16.
- Aluminium body.
- Removable plastic heads.
- Diffuser in opal of 10mm PMMA.
- Flow recuperator in white colour.
- Suspension and power supply not included.



Code	Description	L	Kg
90801	Slotlight Anaglyph 1x13/14W T16	585	1,970
90803	Slotlight Anaglyph 1x20/24W T16	585	1,970
90805	Slotlight Anaglyph 1x19/21W T16	885	3,000
90807	Slotlight Anaglyph 1x34/39W T16	885	3,000
90809	Slotlight Anaglyph 1x25/28W T16	1185	3,950
90811	Slotlight Anaglyph 1x50/54W T16	1185	3,950
90813	Slotlight Anaglyph 1x32/35W T16	1485	5,500
90815	Slotlight Anaglyph 1x45/49W T16	1485	5,500
90817	Slotlight Anaglyph 1x73/80W T16	1485	5,500
90837	Slotlight Anaglyph 2x13/14W T16	585	2,500
90839	Slotlight Anaglyph 2x20/24W T16	585	2,500
90841	Slotlight Anaglyph 2x19/21W T16	885	1,970
90843	Slotlight Anaglyph 2x34/39W T16	885	1,970
90845	Slotlight Anaglyph 2x25/28W T16	1185	4,280
90847	Slotlight Anaglyph 2x50/54W T16	1185	4,280
90849	Slotlight Anaglyph 2x32/35W T16	1485	5,500
90851	Slotlight Anaglyph 2x45/49W T16	1485	5,500
90853	Slotlight Anaglyph 2x73/80W T16	1485	5,500
90819	Slotlight Anaglyph 1 + 1x13/14W T16	1050	3,900
90821	Slotlight Anaglyph 1 + 1x20/24W T16	1050	3,900
90823	Slotlight Anaglyph 1 + 1x19/21W T16	1650	6,000
90825	Slotlight Anaglyph 1 + 1x34/39W T16	1650	6,000
90827	Slotlight Anaglyph 1 + 1x25/28W T16	2250	7,800
90829	Slotlight Anaglyph 1 + 1x50/54W T16	2250	7,800
90831	Slotlight Anaglyph 1 + 1x32/35W T16	2850	10,960
90833	Slotlight Anaglyph 1 + 1x45/49W T16	2850	10,960
90835	Slotlight Anaglyph 1 + 1x73/80W T16	2850	10,960
90855	Slotlight Anaglyph 2 + 2x13/14W T16	1262	4,500
90857	Slotlight Anaglyph 2 + 2x20/24W T16	1262	4,500
90859	Slotlight Anaglyph 2 + 2x19/21W T16	1862	6,500
90861	Slotlight Anaglyph 2 + 2x34/39W T16	1862	6,500
90863	Slotlight Anaglyph 2 + 2x25/28W T16	2462	8,500
90865	Slotlight Anaglyph 2 + 2x50/54W T16	2462	8,500
90867	Slotlight Anaglyph 2 + 2x32/35W T16	3062	10,200
90869	Slotlight Anaglyph 2 + 2x45/49W T16	3062	10,200
90871	Slotlight Anaglyph 2 + 2x73/80W T16	3062	10,200

Colour Codes:

- 0 Colours
 1 White
 2 Titan
 3 Black
 5 matt Alum.
 9 Anodized



SLOTLIGHT





SLOTLIGHT





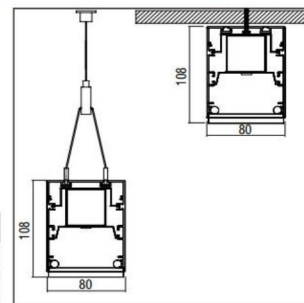
SLOTLIGHT

SLOTLIGHT ANAGLYPH LED



CE	F	IP 43
LED	ta 25°C	Included

- Version for LED CHIP.
- Aluminium body.
- Removable plastic heads.
- Diffuser in opal of 10mm PMMA.
- Flow recuperator in white colour.
- Suspension and power supply not included.
- Efficiency: max.138 Lumen / Watt.



Code	Description	L	Kg
90873	Slotlight An. Led 16W 2200 lm Neutral	600	1,800
90874	Slotlight An.Led 28W 3100 lm Neutral	1160	3,500
90875	Slotlight An.Led 33W 4400 lm Neutral	1160	3,500
90876	Slotlight An.Led 42W 4650 lm Neutral	1720	4,500
90877	Slotlight An.Led 49W 6600 lm Neutral	1720	4,500
90878	Slotlight An.Led 56W 6200 lm Neutral	2280	5,900
90879	Slotlight An.Led 65W 8800 lm Neutral	2280	5,900
90880	Slotlight An.Led 16W 2200 lm Warm	600	1,800
90882	Slotlight An.Led 33W 4400 lm Warm	1160	3,500
90884	Slotlight An.Led 49W 6600 lm Warm	1720	4,500
90886	Slotlight An.Led 65W 8800 lm Warm	2280	5,900

Colour Codes:

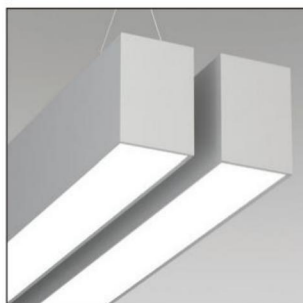
- 0 Colours 1 White 2 Titan 3 Black 5 matt Alum. 9 Anodized





SLOTLIGHT

SLOTLIGHT DOUBLE



CE F IP 43

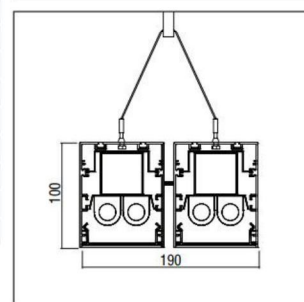
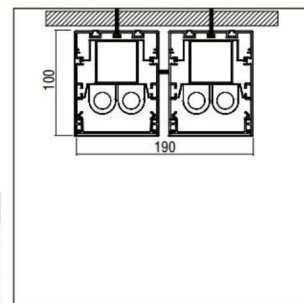
T16

OSRAM T5 PHILIPS T5

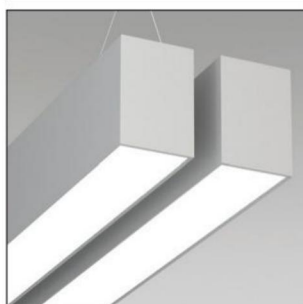
Included

- Version for T16.
- Aluminium body.
- Removable plastic heads.
- High efficient diffuser in opal PMMA.
- Flow recuperator in white colour.
- Suspension and power supply not included.

Code	Description	L	Kg
90343	Slotlight Double 2x34/39W T16	885	4,750
90345	Slotlight Double 2x25/28W T16	1185	6,360
90347	Slotlight Double 2x50/54W T16	1185	6,360
90349	Slotlight Double 2x32/35W T16	1485	7,970
90351	Slotlight Double 2x45/49W T16	1485	7,970
90353	Slotlight Double 2x73/80W T16	1485	7,970
90361	Slotlight Double 4x34/39W T16	885	4,750
90363	Slotlight Double 4x25/28W T16	1185	6,900
90365	Slotlight Double 4x50/54W T16	1185	6,900
90367	Slotlight Double 4x32/35W T16	1485	7,970
90369	Slotlight Double 4x45/49W T16	1485	7,970
90371	Slotlight Double 4x73/80W T16	1485	7,970



SLOTLIGHT DOUBLE LED



CE F IP 43

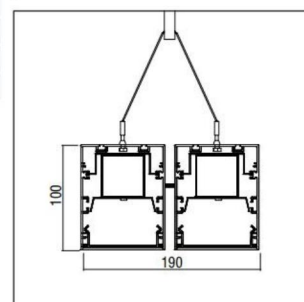
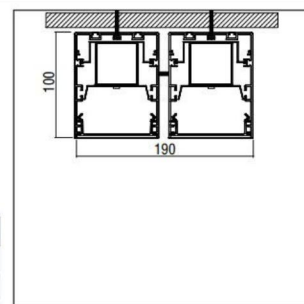
LED

25°C

Included

- Version for LED CHIP.
- Aluminium body.
- Removable plastic heads.
- High efficient diffuser in opal PMMA.
- Flow recuperator in white colour.
- Suspension and power supply not included.
- Efficiency: max.138 Lumen / Watt.

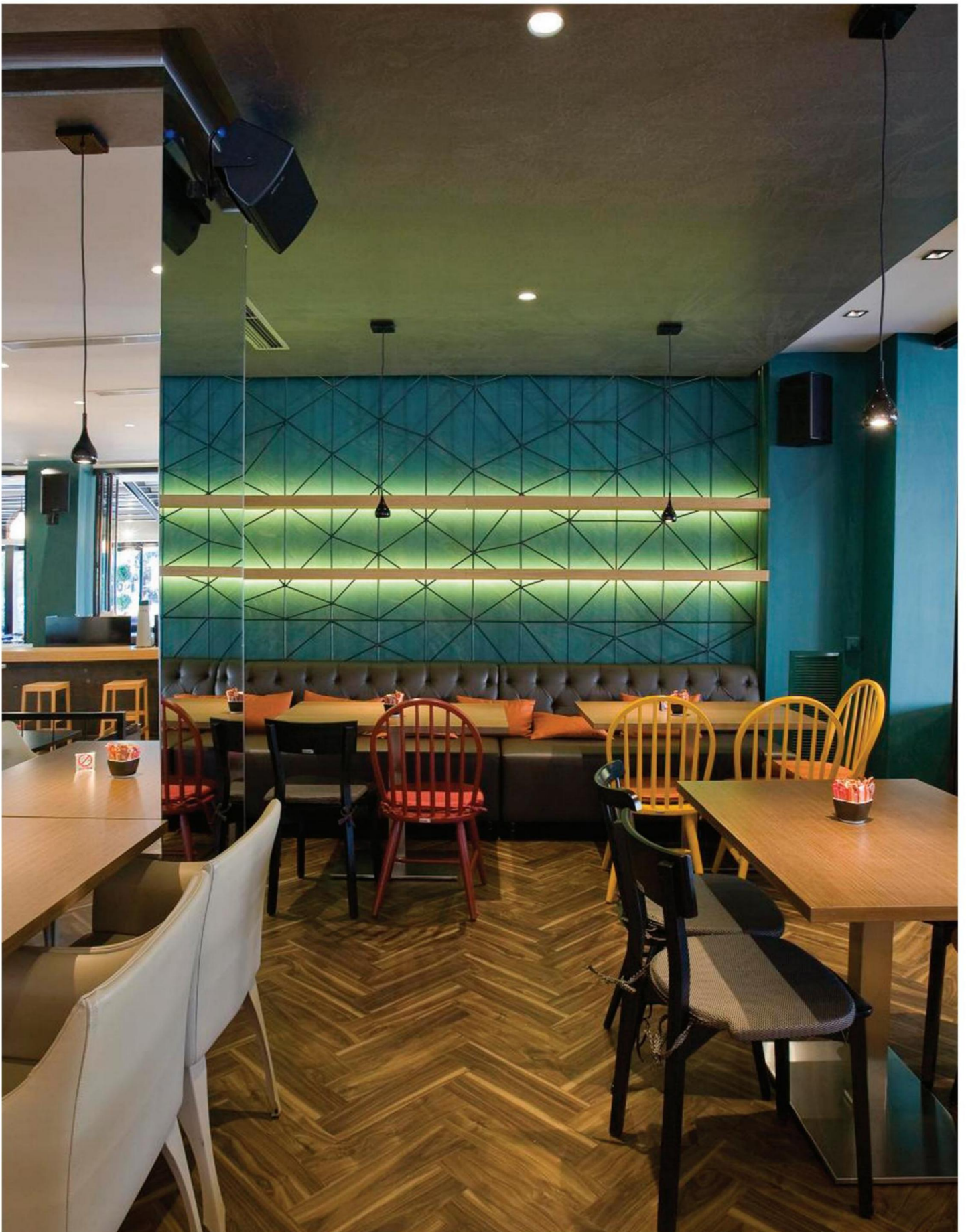
Code	Description	L	Kg
90373	Slotlight Double Led 2x28W 6200 lm Neutral	1160	5,200
90374	Slotlight Double Led 2x33W 8800 lm Neutral	1160	5,200
90375	Slotlight Double Led 2x42W 9300 lm Neutral	1720	8,760
90376	Slotlight Double Led 2x49W 13200 lm Neutral	1720	8,760
90380	Slotlight Double Led 2x33W 8800 lm Warm	1160	5,200
90382	Slotlight Double Led 2x49W 13200 lm Warm	1720	8,760



Colour Codes:

- 0 Colours 1 White 2 Titan 3 Black 5 matt Alum. 9 Anodized

SLOTLIGHT





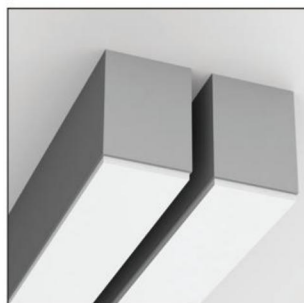
SLOTLIGHT





SLOTLIGHT

SLOTLIGHT DOUBLE ANAGLYPH



CE F IP 43

LED

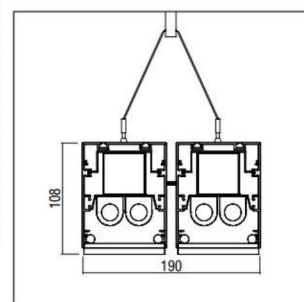
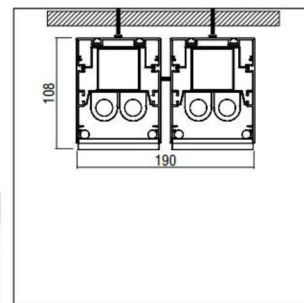
T16

OSRAM: T6 PHILIPS: T15

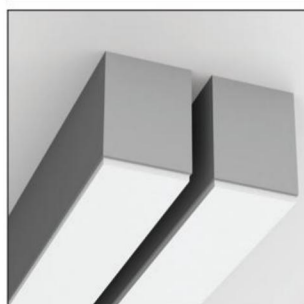
Included

- Version for T16.
- Aluminium body.
- Removable plastic heads.
- Diffuser in opal of 10mm PMMA.
- Flow recuperator in white colour.
- Suspension and power supply not included.

Code	Description	L	Kg
90943	Slotlight Double Anaglyph 2x34/39W T16	885	7,300
90945	Slotlight Double Anaglyph 2x25/28W T16	1185	8,800
90947	Slotlight Double Anaglyph 2x50/54W T16	1185	8,800
90949	Slotlight Double Anaglyph 2x32/35W T16	1485	9,970
90951	Slotlight Double Anaglyph 2x45/49W T16	1485	9,970
90953	Slotlight Double Anaglyph 2x73/80W T16	1485	9,970
90961	Slotlight Double Anaglyph 4x34/39W T16	885	7,300
90963	Slotlight Double Anaglyph 4x25/28W T16	1185	8,800
90965	Slotlight Double Anaglyph 4x50/54W T16	1185	8,800
90967	Slotlight Double Anaglyph 4x32/35W T16	1485	9,970
90969	Slotlight Double Anaglyph 4x45/49W T16	1485	9,970
90971	Slotlight Double Anaglyph 4x73/80W T16	1485	9,970



SLOTLIGHT DOUBLE ANAGLYPH LED



CE F IP 43

LED

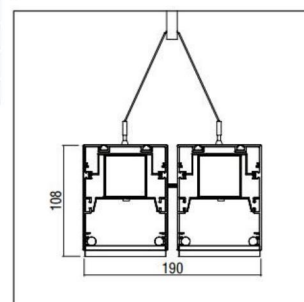
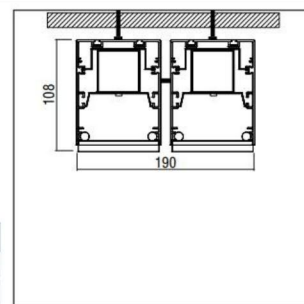
LED

ta 25°C

Included

- Version for LED CHIP.
- Aluminium body.
- Removable plastic heads.
- Diffuser in opal of 10mm PMMA.
- Flow recuperator in white colour.
- Suspension and power supply not included.
- Efficiency: max.138 Lumen / Watt.

Code	Description	L	Kg
90973	Slotlight Double An. Led 2x28W 6200 lm Neutral	1160	8,700
90974	Slotlight Double An. Led 2x33W 8800 lm Neutral	1160	8,700
90975	Slotlight Double An. Led 2x42W 9300 lm Neutral	1720	11,200
90976	Slotlight Double An. Led 2x49W 13200 lm Neutral	1720	11,200
90980	Slotlight Double An. Led 2x33W 8800 lm Warm	1160	8,700
90982	Slotlight Double An. Led 2x49W 13200 lm Warm	1720	11,200



Colour Codes:

- 0 Colours 1 White 2 Titan 3 Black 5 matt Alum. 9 Anodized

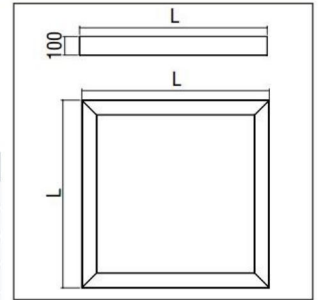
SLOTLIGHT

SLOTLIGHT SQUARE



CE	F	IP 43
Philips T16 logo		Included
T16		
OSRAM: T5 PHILIPS: T15		

- Version for T16.
- Aluminium body.
- High efficient diffuser in opal PMMA.
- Flow recuperator in white colour.
- Suspension and power supply not included.



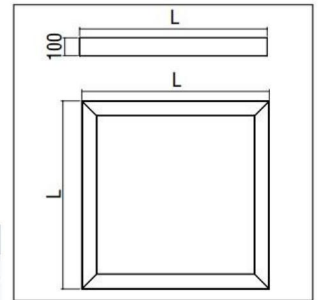
Code	Description	L	Kg
90601	Slotlight Square 4x20/24W T16	700	6,510
90605	Slotlight Square 4x34/39W T16	1000	9,300
90607	Slotlight Square 4x50/54W T16	1300	14,160
90609	Slotlight Square 4x73/80W T16	1600	18,700
90603	Slotlight Square 8x20/24W T16	700	6,810
90606	Slotlight Square 8x34/39W T16	1000	9,500
90608	Slotlight Square 8x50/54W T16	1300	14,320
90610	Slotlight Square 8x73/80W T16	1600	19,200
90602	Slotlight Square 4x20/24W T16+4x Led / GU10	700	6,510
90604	Slotlight Square 8x20/24W T16+4x Led / GU10	700	6,710

SLOTLIGHT SQUARE LED



CE	F	IP 43
Philips LED logo		Included
LED	ta 25°C	

- Version for LED CHIP.
- Aluminium body.
- Removable plastic heads.
- High efficient diffuser in opal PMMA.
- Flow recuperator in white colour.
- Suspension and power supply not included.
- Efficiency: max.138 Lumen / Watt.



Code	Description	L	Kg
90611	Slotlight Square Led 4x28W 12400 lm Neutral	1215	14,130
90612	Slotlight Square Led 4x33W 17600 lm Neutral	1215	14,130
90613	Slotlight Square Led 4x42W 18600 lm Neutral	1780	21,350
90614	Slotlight Square Led 4x49W 26400 lm Neutral	1780	21,350
90618	Slotlight Square Led 4x33W 17600 lm Warm	1215	14,130
90620	Slotlight Square Led 4x49W 26400 lm Warm	1780	21,350

Colour Codes:

- 0 Colours   1 White   2 Titan   3 Black   5 matt Alum.   9 Anodized



SLOTLIGHT



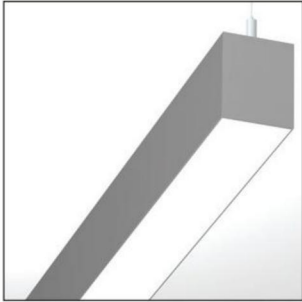


SLOTLIGHT



SLOTLIGHT

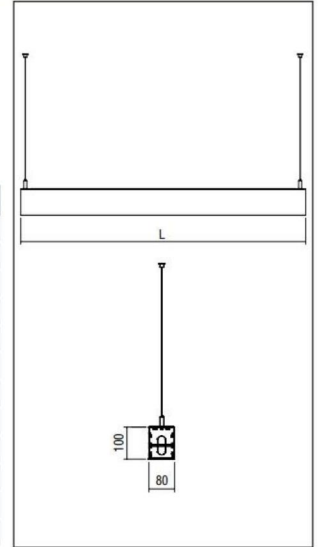
SLOTLIGHT UP / DOWN



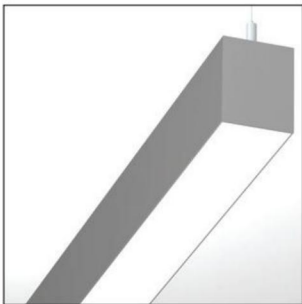
CE	F	IP 43
LED		
T16		Included
OSRAM: T5 PHILIPS: T5		

- Version for T16.
- Aluminium body.
- Removable plastic heads.
- High efficient diffuser in opal PMMA.
- Flow recuperator in white colour.
- Suspension and power supply not included.

Code	Description	L	Kg
92905	Slotlight U/D 1x21W+1x14W	885	2,390
92907	Slotlight U/D 1x39W+1x14W	885	2,390
92909	Slotlight U/D 1x28W+1x21W	1185	3,200
92911	Slotlight U/D 1x54W+1x21W	1185	3,200
92913	Slotlight U/D 1x35W+1x28W	1485	3,750
92915	Slotlight U/D 1x49W+1x28W	1485	3,750
92923	Slotlight U/D 2x21W+2x14W	1650	4,350
92925	Slotlight U/D 2x39W+2x14W	1650	4,350
92927	Slotlight U/D 2x28W+2x21W	2250	6,100
92929	Slotlight U/D 2x54W+2x21W	2250	6,100
92931	Slotlight U/D 2x35W+2x28W	2850	7,670
92933	Slotlight U/D 2x49W+2x28W	2850	7,670



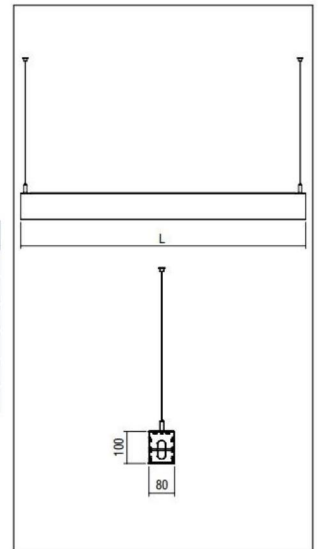
SLOTLIGHT UP / DOWN LED



CE	F	IP 43
LED		
LED	ta 25°C	Included

- Version for LED CHIP.
- Aluminium body.
- Removable plastic heads.
- High efficient diffuser in opal PMMA.
- Flow recuperator in white colour.
- Suspension and power supply not included.
- Efficiency: max.138 Lumen / Watt.

Code	Description	L	Kg
92973	Slotlight U/D Led 33W+16W 4400+2200 lm Neutral	1160	2,400
92974	Slotlight U/D Led 49W+33W 6600+4400 lm Neutral	1720	3,570
92975	Slotlight U/D Led 49W+16W 6600+2200 lm Neutral	1720	3,570
92976	Slotlight U/D Led 33W+16W 4400+2200 lm Warm	1160	2,400
92977	Slotlight U/D Led 49W+33W 6600+4400 lm Warm	1720	3,570
92978	Slotlight U/D Led 49W+16W 6600+2200 lm Warm	1720	3,570



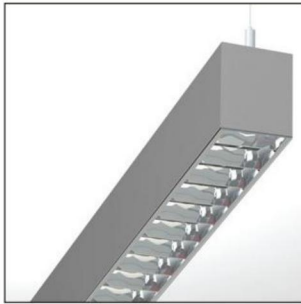
Colour Codes:

- 0 Colours 1 White 2 Titan 3 Black 5 matt Alum. 9 Anodized



SLOTLIGHT

SLOTLIGHT UP / DOWN LOUVRE



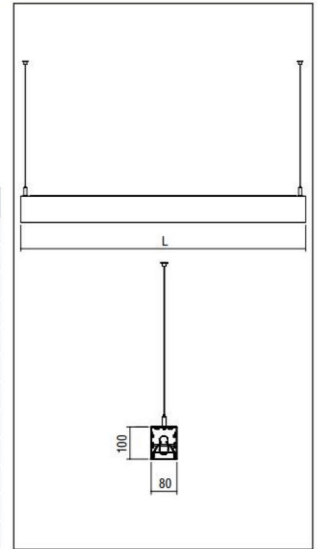
CE F IP 43

T16 OSRAM: T5 PHILIPS: T15

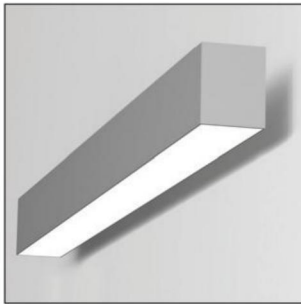
Included

- Version for T16.
- Aluminium body.
- Removable plastic heads.
- High efficient diffuser in opal PMMA.
- Flow recuperator in white colour.
- Suspension and power supply not included.

Code	Description	L	Kg
92705	Slotlight U/D Louvre 1x21W+1x14W	885	2,610
92707	Slotlight U/D Louvre 1x39W+1x14W	885	2,610
92709	Slotlight U/D Louvre 1x28W+1x21W	1185	3,500
92711	Slotlight U/D Louvre 1x54W+1x21W	1185	3,500
92713	Slotlight U/D Louvre 1x35W+1x28W	1485	4,400
92715	Slotlight U/D Louvre 1x49W+1x28W	1485	4,400
92723	Slotlight U/D Louvre 2x21W+2x14W	1764	4,900
92725	Slotlight U/D Louvre 2x39W+2x14W	1764	4,900
92727	Slotlight U/D Louvre 2x28W+2x21W	2364	6,650
92729	Slotlight U/D Louvre 2x54W+2x21W	2364	6,650
92731	Slotlight U/D Louvre 2x35W+2x28W	2964	8,400
92733	Slotlight U/D Louvre 2x49W+2x28W	2964	8,400



SLOTLIGHT UP / DOWN APPLIQUE



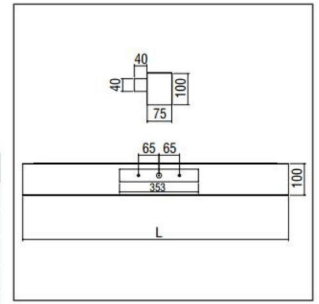
CE F IP 43

T16 OSRAM: T5 PHILIPS: T15

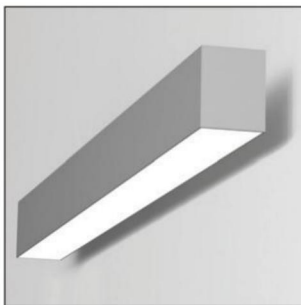
Included

- Version for T16.
- Aluminium body.
- Removable plastic heads.
- High efficient diffuser in opal PMMA.
- Flow recuperator in white colour.

Code	Description	L	Kg
92805	Slotlight U/D Applique 1x21W+1x14W	885	2,610
92807	Slotlight U/D Applique 1x39W+1x14W	885	2,610
92809	Slotlight U/D Applique 1x28W+1x21W	1185	3,500
92811	Slotlight U/D Applique 1x54W+1x21W	1185	3,500
92813	Slotlight U/D Applique 1x35W+1x28W	1485	4,350
92815	Slotlight U/D Applique 1x49W+1x28W	1485	4,350



SLOTLIGHT UP / DOWN APPLIQUE LED



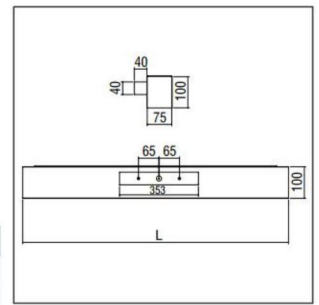
CE F IP 43

LED ta 25°C

Included

- Version for LED CHIP.
- Aluminium body.
- Removable plastic heads.
- High efficient diffuser in opal PMMA.
- Flow recuperator in white colour.
- Efficiency: max.138 Lumen / Watt.

Code	Description	L	Kg
92773	Slotlight U/D Ap.Led 33W+16W 4400+2200 lm Neutral	1160	3,500
92774	Slotlight U/D Ap.Led 33W+16W 4400+2200 lm Warm	1160	3,500



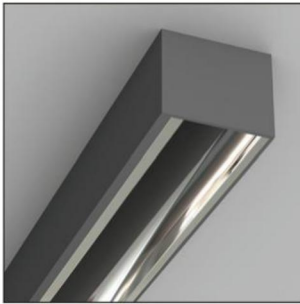
Colour Codes:

0 Colours 1 White 2 Titan 3 Black 5 matt Alum. 9 Anodized



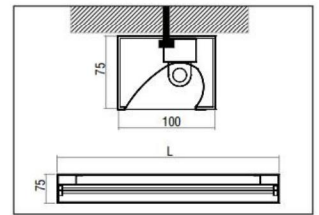
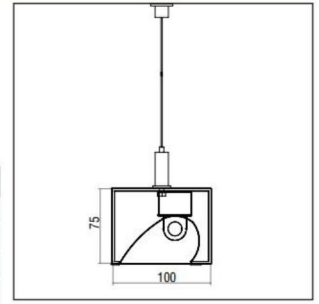
SLOTLIGHT

SLOTLIGHT WW



- Version for T16.
- Aluminium body.
- Flow recuperator wall washer in semi-glossy anodized aluminium.
- Suspension and power supply not included.

Code	Description	L	Kg
90403	Slotlight WW 1x20/24W T16	576	2,000
90407	Slotlight WW 1x34/39W T16	876	2,300
90411	Slotlight WW 1x50/54W T16	1176	2,950
90417	Slotlight WW 1x73/80W T16	1476	3,600



Colour Codes:

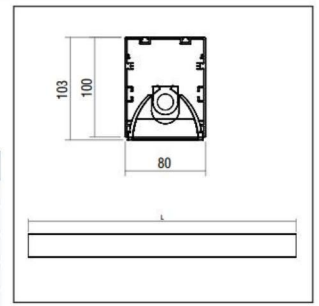
- Colours
  1 White
  2 Titan
  3 Black

SLOTLIGHT LOUVRE



- Version for T16.
- Aluminium body.
- Removable plastic heads.
- Parabolic reflector in specular anodized aluminium.
- Suspension and power supply not included.

Code	Description	L	Kg
90203	Slotlight Louvre 1x20/24W T16	585	1,680
90207	Slotlight Louvre 1x34/39W T16	885	2,300
90211	Slotlight Louvre 1x50/54W T16	1185	3,150
90215	Slotlight Louvre 1x45/49W T16	1485	4,020
90217	Slotlight Louvre 1x73/80W T16	1485	4,020
90221	Slotlight Louvre 1 + 1x20/24W T16	1164	2,760
90225	Slotlight Louvre 1 + 1x34/39W T16	1764	2,950
90229	Slotlight Louvre 1 + 1x50/54W T16	2364	4,700
90233	Slotlight Louvre 1 + 1x45/49W T16	2964	5,130
90235	Slotlight Louvre 1 + 1x73/80W T16	2964	5,130



Colour Codes:

- Colours
  1 White
  2 Titan
  3 Black
  5 matt Alum.
  9 Anodized



SLOTLIGHT

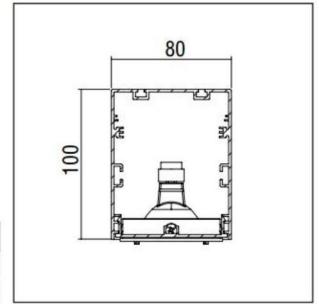
SLOTLIGHT + Module 50 G5.3



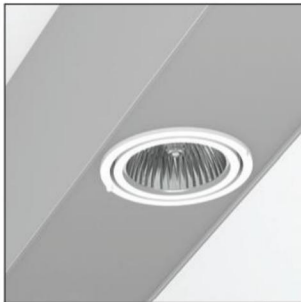
CE	F	850°C	IP 20
25°	350°		
OSRAM RECEPTOR 51 PHILIPS MASTERLINE			
		12V	

- Simple version for incandescent halogen max.50W 12V (QR-CBC 51).

Code	Description	L	Kg
90704	Slotlight Module 50 1x max.50W/G5,3	300	0,850
90705	Slotlight Module 50 2x max.50W/G5,3	450	1,270



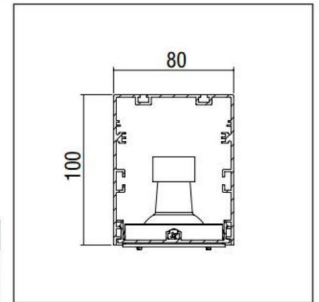
SLOTLIGHT + Module 50 GU10



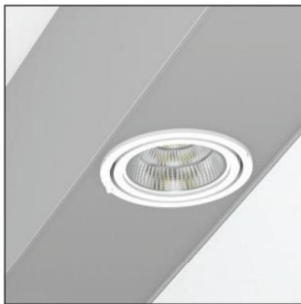
CE	F	850°C	IP 20
30°	350°		
PAR 16	LED	FLUO	

- Simple version for incandescent halogen max.50W 230V (PAR16).

Code	Description	L	Kg
90701	Slotlight Module 50 1x max.50W/GU10	170	0,450
90702	Slotlight Module 50 2x max.50W/GU10	250	0,620



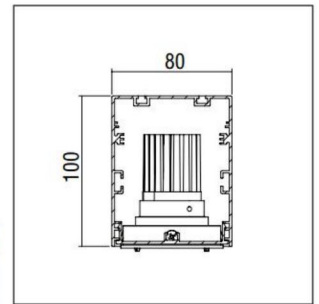
SLOTLIGHT + Module 50 IRA 2 Reflector



CE	F	850°C	IP 20
25°	350°		
LED	350mA	ta 25°C	

- Reflectors: Medium, Wide.  
 - 7W power consumption driven at 350mA.  
 - Efficiency:  
 4000 K: 825 Lumen, CRI: min. 80  
 3000 K: 720 Lumen, CRI: min. 80  
 Maximum: 118 Lm/W

Code	Description	L	Kg
90707	Slotlight Module 50 1x IRA 2 7W Reflector	300	0,850
90708	Slotlight Module 50 2x IRA 2 7W Reflector	450	1,270



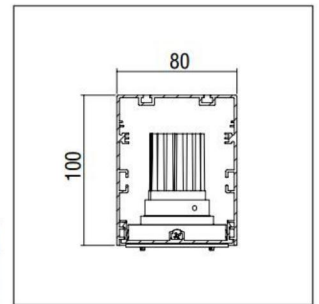
SLOTLIGHT + Module 50 DIMITRA 2 Reflector HO



CE	F	850°C	IP 40
25°	350°		
LED	500mA	ta 25°C	

- Reflectors: Spot, Medium, Wide.  
 - 5W power consumption driven at 500mA.  
 - Efficiency:  
 5W: 4000 K: 419 Lumen, CRI: min. 80  
 5W: 3000 K: 419 Lumen, CRI: min. 80  
 Maximum: 84 Lm/W

Code	Description	L	Kg
90709	Slotlight Module 50 1x DIMITRA 2 5W Ref.HO	300	0,850
90710	Slotlight Module 50 2x DIMITRA 2 5W Ref.HO	450	1,270



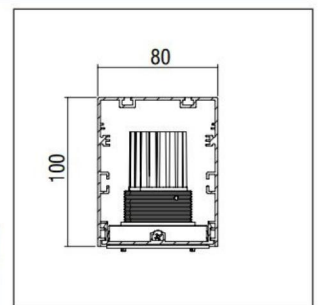
SLOTLIGHT + Module 50 ARTEMIS 2 Diffuser Prismatic



CE	F	850°C	IP 40
25°	350°		
D	LED	350/500mA	ta 25°C

- Beam: Diffuser.  
 - 5W power consumption driven at 500mA.  
 - 7W power consumption driven at 350mA.  
 - Efficiency:  
 5W: 4000 K: 419 Lumen, CRI: min. 80  
 5W: 3000 K: 419 Lumen, CRI: min. 80  
 7W: 4000 K: 825 Lumen, CRI: min. 80  
 7W: 3000 K: 720 Lumen, CRI: min. 80  
 Maximum: 118 Lm/W

Code	Description	L	Kg
90711	Slotlight Module 50 1x ARTEMIS 2 5W Diffuser Prism.	300	0,850
90712	Slotlight Module 50 2x ARTEMIS 2 5W Diffuser Prism.	450	1,170
90713	Slotlight Module 50 1x ARTEMIS 2 7W Diffuser Prism.	300	0,850
90714	Slotlight Module 50 2x ARTEMIS 2 7W Diffuser Prism.	450	1,270





SLOTLIGHT

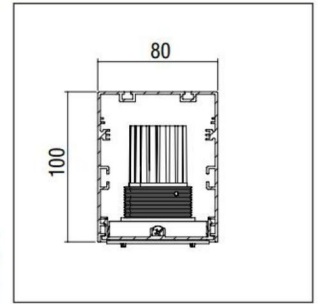
SLOTLIGHT + Module 50 ATHINA 2 Diffuser Opal



CE	F	850°C	IP 40
20°	350°		
D			
LED	50000 HOURS	ta 25°C	350/500mA

- Beam: Diffuser.
- 5W power consumption driven at 500mA.
- 7W power consumption driven at 350mA.
- Efficiency:
  - 5W: 4000 K: 419 Lumen, CRI: min. 80
  - 5W: 3000 K: 419 Lumen, CRI: min. 80
  - 7W: 4000 K: 825 Lumen, CRI: min. 80
  - 7W: 3000 K: 720 Lumen, CRI: min. 80
- Maximum: 118 Lm/W

Code	Description	L	Kg
90715 00	Slotlight Module 50 1x ATHINA 2 5W Diffuser Opal	300	0,770
90716 00	Slotlight Module 50 2x ATHINA 2 5W Diffuser Opal	450	1,160
90717 00	Slotlight Module 50 1x ATHINA 2 7W Diffuser Opal	300	0,770
90718 00	Slotlight Module 50 2x ATHINA 2 7W Diffuser Opal	450	1,160



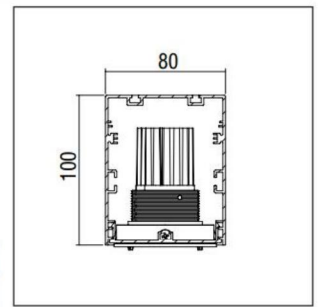
SLOTLIGHT + Module 50 VENUS 2 Lens



CE	F	850°C	IP 40
25°	350°		
LED	50000 HOURS	ta 25°C	350/700mA

- Lens: Spot, Medium, Wide.
- 3W power consumption driven at 350mA.
- 6W power consumption driven at 700mA.
- Efficiency:
  - 3W: 4000 K: 321 Lumen, CRI: min. 75
  - 3W: 3000 K: 300 Lumen, CRI: min. 80
  - 6W: 4000 K: 600 Lumen, CRI: min. 75
  - 6W: 3000 K: 570 Lumen, CRI: min. 80
- Maximum: 107 Lm/W

Code	Description	L	Kg
90719	Slotlight Module 50 1x VENUS 2 3W/6W Lens	300	0,770
90720	Slotlight Module 50 2x VENUS 2 3W/6W Lens	450	1,160



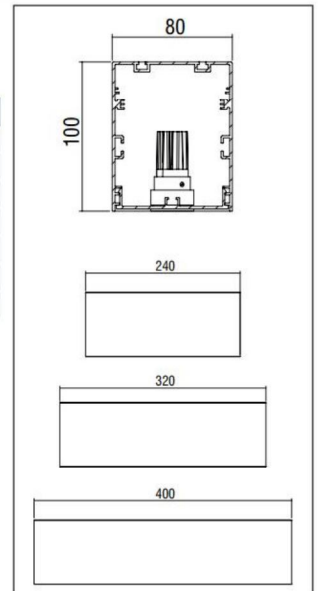
SLOTLIGHT + Module 30



CE	F		IP 20
0°	0°		
LED	50000 HOURS	ta 25°C	Included

- Version for LED CHIP.
- Aluminium body.
- Lens in Spot, Medium, Wide or spot reflector selection.

Code	Description	L	Kg
90721	Slotlight Module 30 1x2W Lens	240	0,680
90722	Slotlight Module 30 2x2W Lens	320	0,820
90723	Slotlight Module 30 3x2W Lens	400	1,070
90724 01	Slotlight Module 30 1x2W Reflector	240	0,670
90725 01	Slotlight Module 30 2x2W Reflector	320	0,880
90726 01	Slotlight Module 30 3x2W Reflector	400	1,100



**LED COLOUR CODES:**  
 2 Warm 3 Neutral

**BEAM CODES:**  
 01 spot 02 medium 03 wide

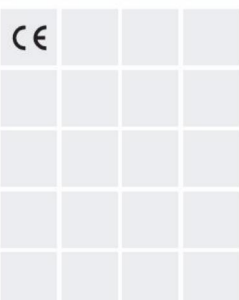
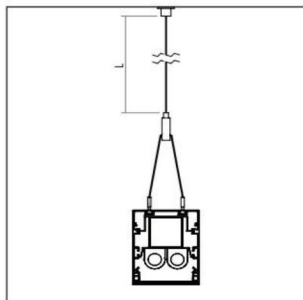
**Colour Codes:**  
 0 Colours 1 White 2 Titan 3 Black 5 matt Alum. 9 Anodized





SLOTLIGHT ACCESSORIES

SURFACE SCONCE BASE



- Stainless steel cable and regulators.
- **Required:**  
2 pieces for up to 3m profile.

Code	Description	L	Kg
900142	Double Suspension	1000	0,070
900143	Double Suspension	1500	0,110
900144	Double Suspension	2000	0,220

Colour Codes:

- 0 Colours 1 White 2 Titan 3 Black 5 matt Alum.





SLOTLIGHT

