

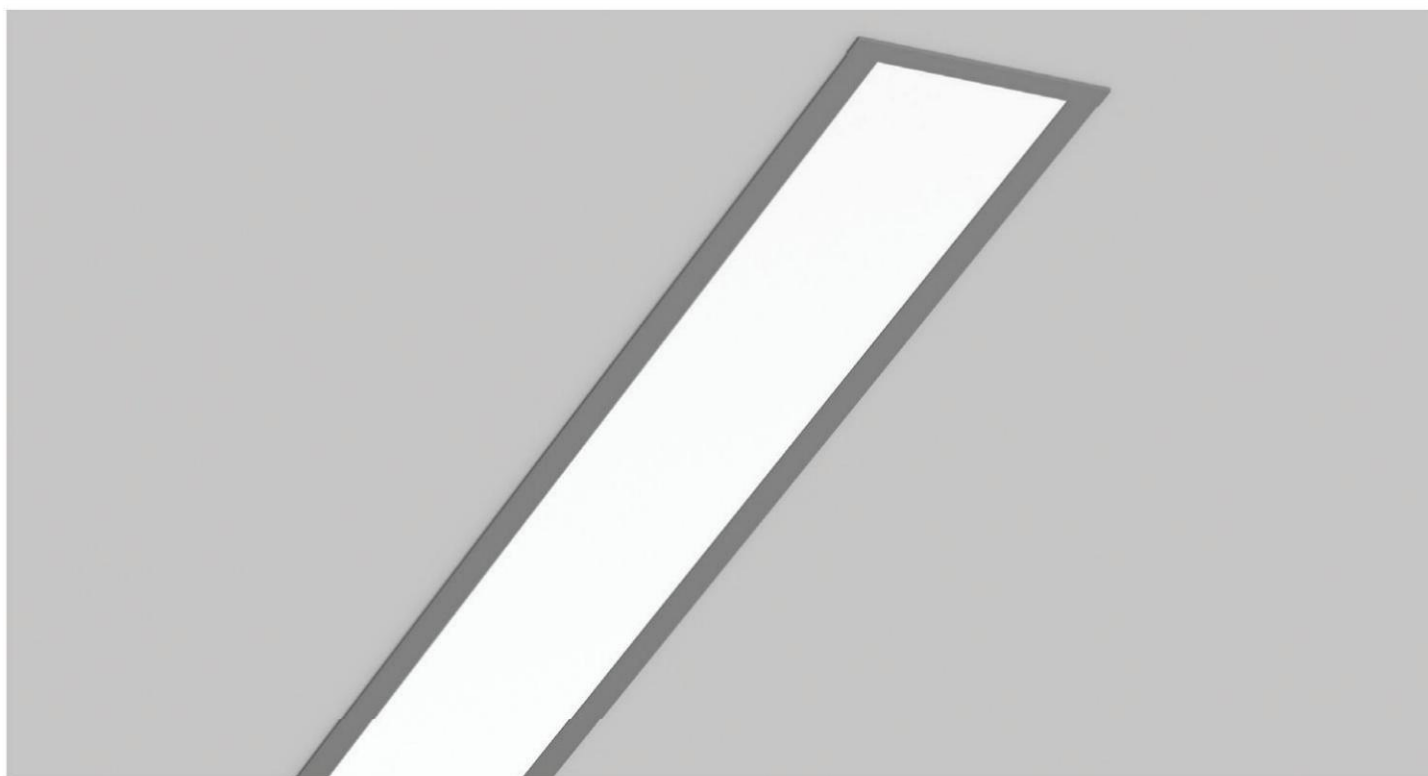
SLOTLIGHT



SLOTLIGHT



SLOTLIGHT



This luminaire combines the architectural style with the efficiency. It produces perfect lighting conditions without annoying reflections and that is why it can be used from entrance areas to offices. Uniformly illuminated lines with no dark shadows can be created thanks to the Tetris technology of T16 lamps.

The LED version escapes the restrictions of the T16 lamp by using LED lighting points that can have any spacing pitch and this gives the light line enormous flexibility. The visual benefit: The continuous-row system is illuminated absolutely uniformly from beginning to end, is economically efficient, is maintenance-free and it has long service life.

Technical Features

- Housing from aluminium profile, painted electrostatically in selected colour.
- Removable plastic heads.
- High efficient diffuser in opal PMMA.
- Flow recuperator in white colour.

Upon request

- Connection for operation with electronic dimmable ballast.

For LED Version

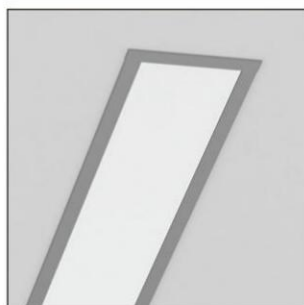
- Pure light without IR/UV radiation.
- Efficient thermal management.
- Up to 28W/m and 3864 Lm luminous flux range.
- Operation life: 50,000 hours with efficiency > 70% of the initial luminous flux.
- Connection for operation on 230V/50Hz.

Upon request:

Available with highest colour rendering index (CRI)

SLOTLIGHT

SLOTLIGHT



CE F IP 43

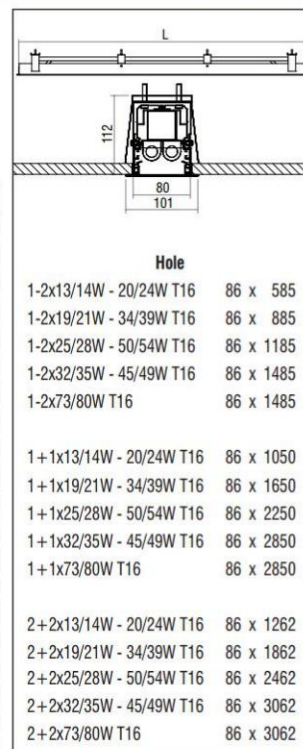
T16

OSRAM T6 PHILIPS T16

Included

- Version for T16.
- Aluminium body.
- Removable plastic heads.
- High efficient diffuser in opal PMMA.
- Flow recuperator in white colour.
- Suspension brackets not included.

| Code | Description | L | Kg |
|-------|----------------------------|------|-------|
| 92001 | Slotlight 1x13/14W T16 | 603 | 1,500 |
| 92003 | Slotlight 1x20/24W T16 | 603 | 1,500 |
| 92005 | Slotlight 1x19/21W T16 | 903 | 2,300 |
| 92007 | Slotlight 1x34/39W T16 | 903 | 2,300 |
| 92009 | Slotlight 1x25/28W T16 | 1203 | 3,050 |
| 92011 | Slotlight 1x50/54W T16 | 1203 | 3,050 |
| 92013 | Slotlight 1x32/35W T16 | 1503 | 3,300 |
| 92015 | Slotlight 1x45/49W T16 | 1503 | 3,300 |
| 92017 | Slotlight 1x73/80W T16 | 1503 | 3,300 |
| 92037 | Slotlight 2x13/14W T16 | 603 | 1,650 |
| 92039 | Slotlight 2x20/24W T16 | 603 | 1,650 |
| 92041 | Slotlight 2x19/21W T16 | 903 | 3,000 |
| 92043 | Slotlight 2x34/39W T16 | 903 | 3,000 |
| 92045 | Slotlight 2x25/28W T16 | 1203 | 3,100 |
| 92047 | Slotlight 2x50/54W T16 | 1203 | 3,100 |
| 92049 | Slotlight 2x32/35W T16 | 1503 | 3,500 |
| 92051 | Slotlight 2x45/49W T16 | 1503 | 3,500 |
| 92053 | Slotlight 2x73/80W T16 | 1503 | 3,500 |
| 92019 | Slotlight 1 + 1x13/14W T16 | 1068 | 2,610 |
| 92021 | Slotlight 1 + 1x20/24W T16 | 1068 | 2,610 |
| 92023 | Slotlight 1 + 1x19/21W T16 | 1668 | 3,890 |
| 92025 | Slotlight 1 + 1x34/39W T16 | 1668 | 3,890 |
| 92027 | Slotlight 1 + 1x25/28W T16 | 2268 | 4,600 |
| 92029 | Slotlight 1 + 1x50/54W T16 | 2268 | 4,600 |
| 92031 | Slotlight 1 + 1x32/35W T16 | 2868 | 6,460 |
| 92033 | Slotlight 1 + 1x45/49W T16 | 2868 | 6,460 |
| 92035 | Slotlight 1 + 1x73/80W T16 | 2868 | 6,460 |
| 92055 | Slotlight 2 + 2x13/14W T16 | 1280 | 3,230 |
| 92057 | Slotlight 2 + 2x20/24W T16 | 1280 | 3,230 |
| 92059 | Slotlight 2 + 2x19/21W T16 | 1880 | 3,900 |
| 92061 | Slotlight 2 + 2x34/39W T16 | 1880 | 3,900 |
| 92063 | Slotlight 2 + 2x25/28W T16 | 2480 | 4,900 |
| 92065 | Slotlight 2 + 2x50/54W T16 | 2480 | 4,900 |
| 92067 | Slotlight 2 + 2x32/35W T16 | 3080 | 7,300 |
| 92069 | Slotlight 2 + 2x45/49W T16 | 3080 | 7,300 |
| 92071 | Slotlight 2 + 2x73/80W T16 | 3080 | 7,300 |

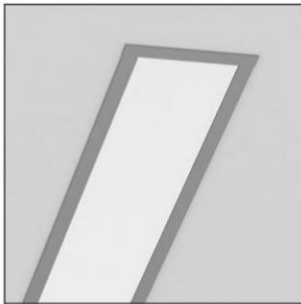


Colour Codes:

0 Colours 1 White 2 Titan 3 Black 5 matt Alum. 9 Anodized

SLOTLIGHT

SLOTLIGHT LED



CE F IP 43

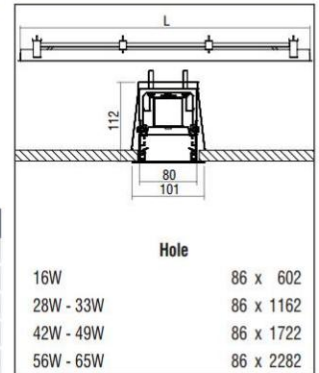
LED

ta 25°C

Included

- Version for LED CHIP.
- Aluminium body.
- Removable plastic heads.
- High efficient diffuser in opal PMMA.
- Flow recuperator in white colour.
- Suspension brackets not included.
- Efficiency: max.138 Lumen / Watt.

| Code | Description | L | Kg |
|-------|-----------------------------------|------|-------|
| 92073 | Slotlight Led 16W 2200 lm Neutral | 620 | 1,550 |
| 92074 | Slotlight Led 28W 3100 lm Neutral | 1180 | 2,930 |
| 92075 | Slotlight Led 33W 4400 lm Neutral | 1180 | 2,930 |
| 92076 | Slotlight Led 42W 4650 lm Neutral | 1740 | 4,320 |
| 92077 | Slotlight Led 49W 6600 lm Neutral | 1740 | 4,320 |
| 92078 | Slotlight Led 56W 6200 lm Neutral | 2300 | 5,700 |
| 92079 | Slotlight Led 65W 8800 lm Neutral | 2300 | 5,700 |
| 92080 | Slotlight Led 16W 2200 lm Warm | 620 | 1,550 |
| 92082 | Slotlight Led 33W 4400 lm Warm | 1180 | 2,930 |
| 92084 | Slotlight Led 49W 6600 lm Warm | 1740 | 4,320 |
| 92086 | Slotlight Led 65W 8800 lm Warm | 2300 | 5,700 |



Colour Codes:

0 Colours 1 White 2 Titan 3 Black 5 matt Alum. 9 Anodized

SLOTLIGHT

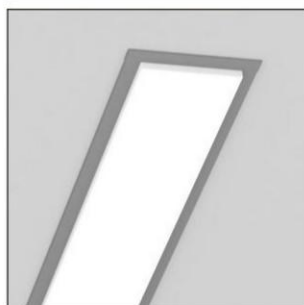


SLOTLIGHT



SLOTLIGHT

SLOTLIGHT ANAGLYPH



CE F IP 43

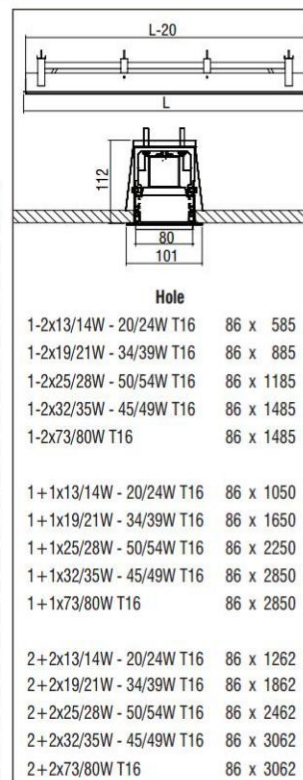
T16

OSRAM: T5 PHILIPS: T15

Included

- Version for T16.
- Aluminium body.
- Removable plastic heads.
- Diffuser in opal of 10mm PMMA.
- Flow recuperator in white colour.
- Suspension and power supply not included.

| Code | Description | L | Kg |
|-------|-------------------------------------|------|-------|
| 92401 | Slotlight Anaglyph 1x13/14W T16 | 603 | 1,750 |
| 92403 | Slotlight Anaglyph 1x20/24W T16 | 603 | 1,750 |
| 92405 | Slotlight Anaglyph 1x19/21W T16 | 903 | 2,610 |
| 92407 | Slotlight Anaglyph 1x34/39W T16 | 903 | 2,610 |
| 92409 | Slotlight Anaglyph 1x25/28W T16 | 1203 | 3,480 |
| 92411 | Slotlight Anaglyph 1x50/54W T16 | 1203 | 3,480 |
| 92413 | Slotlight Anaglyph 1x32/35W T16 | 1503 | 4,350 |
| 92415 | Slotlight Anaglyph 1x45/49W T16 | 1503 | 4,350 |
| 92417 | Slotlight Anaglyph 1x73/80W T16 | 1503 | 4,350 |
| 92437 | Slotlight Anaglyph 2x13/14W T16 | 603 | 1,750 |
| 92439 | Slotlight Anaglyph 2x20/24W T16 | 603 | 1,750 |
| 92441 | Slotlight Anaglyph 2x19/21W T16 | 903 | 2,610 |
| 92443 | Slotlight Anaglyph 2x34/39W T16 | 903 | 2,610 |
| 92445 | Slotlight Anaglyph 2x25/28W T16 | 1203 | 3,480 |
| 92447 | Slotlight Anaglyph 2x50/54W T16 | 1203 | 3,480 |
| 92449 | Slotlight Anaglyph 2x32/35W T16 | 1503 | 4,350 |
| 92451 | Slotlight Anaglyph 2x45/49W T16 | 1503 | 4,350 |
| 92453 | Slotlight Anaglyph 2x73/80W T16 | 1503 | 4,350 |
| 92419 | Slotlight Anaglyph 1 + 1x13/14W T16 | 1068 | 3,090 |
| 92421 | Slotlight Anaglyph 1 + 1x20/24W T16 | 1068 | 3,090 |
| 92423 | Slotlight Anaglyph 1 + 1x19/21W T16 | 1668 | 4,820 |
| 92425 | Slotlight Anaglyph 1 + 1x34/39W T16 | 1668 | 4,820 |
| 92427 | Slotlight Anaglyph 1 + 1x25/28W T16 | 2268 | 6,560 |
| 92429 | Slotlight Anaglyph 1 + 1x50/54W T16 | 2268 | 6,560 |
| 92431 | Slotlight Anaglyph 1 + 1x32/35W T16 | 2868 | 8,290 |
| 92433 | Slotlight Anaglyph 1 + 1x45/49W T16 | 2868 | 8,290 |
| 92435 | Slotlight Anaglyph 1 + 1x73/80W T16 | 2868 | 8,290 |
| 92455 | Slotlight Anaglyph 2 + 2x13/14W T16 | 1280 | 3,700 |
| 92457 | Slotlight Anaglyph 2 + 2x20/24W T16 | 1280 | 3,700 |
| 92459 | Slotlight Anaglyph 2 + 2x19/21W T16 | 1880 | 5,440 |
| 92461 | Slotlight Anaglyph 2 + 2x34/39W T16 | 1880 | 5,440 |
| 92463 | Slotlight Anaglyph 2 + 2x25/28W T16 | 2480 | 7,170 |
| 92465 | Slotlight Anaglyph 2 + 2x50/54W T16 | 2480 | 7,170 |
| 92467 | Slotlight Anaglyph 2 + 2x32/35W T16 | 3080 | 8,900 |
| 92469 | Slotlight Anaglyph 2 + 2x45/49W T16 | 3080 | 8,900 |
| 92471 | Slotlight Anaglyph 2 + 2x73/80W T16 | 3080 | 8,900 |

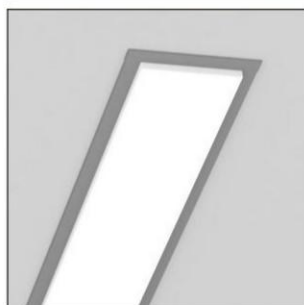


Colour Codes:

0 Colours 1 White 2 Titan 3 Black 5 matt Alum. 9 Anodized

SLOTLIGHT

SLOTLIGHT ANAGLYPH LED



CE F IP 43

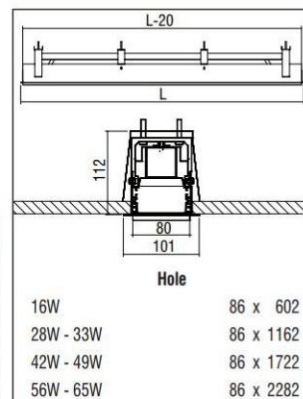
LED

ta 25°C

Included

- Version for LED CHIP.
- Aluminium body.
- Removable plastic heads.
- Diffuser in opal of 10mm PMMA.
- Flow recuperator in white colour.
- Suspension brackets not included.
- Efficiency: max.138 Lumen / Watt.

| Code | Description | L | Kg |
|-------|--------------------------------------|------|-------|
| 92473 | Slotlight An.Led 16W 2200 lm Neutral | 620 | 1,790 |
| 92474 | Slotlight An.Led 28W 3100 lm Neutral | 1180 | 3,410 |
| 92475 | Slotlight An.Led 33W 4400 lm Neutral | 1180 | 3,410 |
| 92476 | Slotlight An.Led 42W 4650 lm Neutral | 1740 | 5,030 |
| 92477 | Slotlight An.Led 49W 6600 lm Neutral | 1740 | 5,030 |
| 92478 | Slotlight An.Led 56W 6200 lm Neutral | 2300 | 6,650 |
| 92479 | Slotlight An.Led 65W 8800 lm Neutral | 2300 | 6,650 |
| 92480 | Slotlight An.Led 16W 2200 lm Warm | 620 | 1,790 |
| 92482 | Slotlight An.Led 33W 4400 lm Warm | 1180 | 3,410 |
| 92484 | Slotlight An.Led 49W 6600 lm Warm | 1740 | 5,030 |
| 92486 | Slotlight An.Led 65W 8800 lm Warm | 2300 | 6,650 |



Colour Codes:

- 0 Colours 1 White 2 Titan 3 Black 5 matt Alum. 9 Anodized

SLOTLIGHT WW



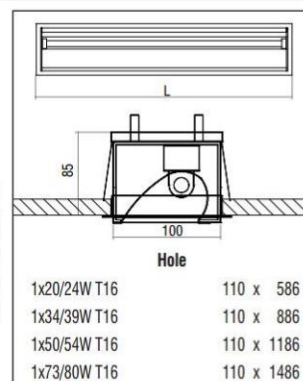
CE F IP 20

T16 OSRAM T5 PHILIPS T15

Included

- Version for T16.
- Aluminium body.
- Removable plastic heads.
- Flow recuperator wall washer in semi-glossy anodized aluminium.
- Suspension brackets not included.

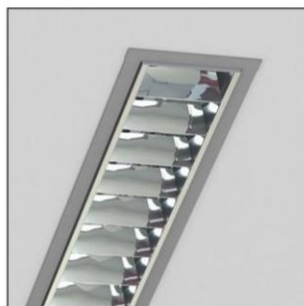
| Code | Description | L | Kg |
|-------|---------------------------|------|-------|
| 92203 | Slotlight WW 1x20/24W T16 | 596 | 1,150 |
| 92207 | Slotlight WW 1x34/39W T16 | 896 | 1,720 |
| 92211 | Slotlight WW 1x50/54W T16 | 1196 | 2,300 |
| 92217 | Slotlight WW 1x73/80W T16 | 1496 | 2,880 |



Colour Codes:

- 0 Colours 1 White 2 Titan 3 Black

SLOTLIGHT LOUVRE



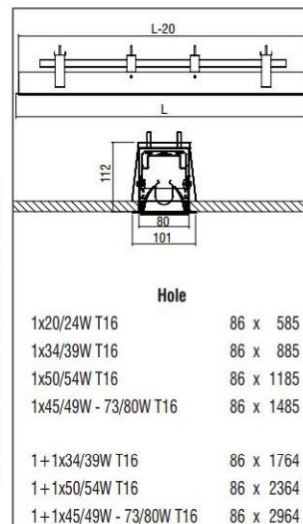
CE F IP 20

T16 OSRAM T5 PHILIPS T15

Included

- Version for T16.
- Aluminium body.
- Removable plastic heads.
- Parabolic reflector in specular anodized aluminium.
- Suspension brackets not included.

| Code | Description | L | Kg |
|-------|----------------------------------|------|-------|
| 92103 | Slotlight Louvre 1x20/24W T16 | 603 | 1,160 |
| 92107 | Slotlight Louvre 1x34/39W T16 | 903 | 1,740 |
| 92111 | Slotlight Louvre 1x50/54W T16 | 1203 | 2,310 |
| 92115 | Slotlight Louvre 1x45/49W T16 | 1503 | 2,890 |
| 92117 | Slotlight Louvre 1x73/80W T16 | 1503 | 2,890 |
| 92125 | Slotlight Louvre 1+ 1x34/39W T16 | 1782 | 2,430 |
| 92129 | Slotlight Louvre 1+ 1x50/54W T16 | 2382 | 4,580 |
| 92133 | Slotlight Louvre 1+ 1x45/49W T16 | 2982 | 5,730 |
| 92135 | Slotlight Louvre 1+ 1x73/80W T16 | 2982 | 5,730 |



Colour Codes:

- 0 Colours 1 White 2 Titan 3 Black 5 matt Alum. 9 Anodized

SLOTLIGHT



SLOTLIGHT

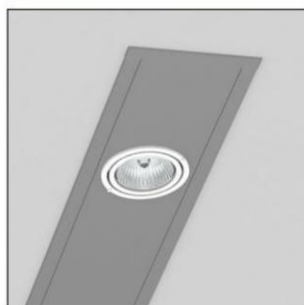


SLOTLIGHT



SLOTLIGHT

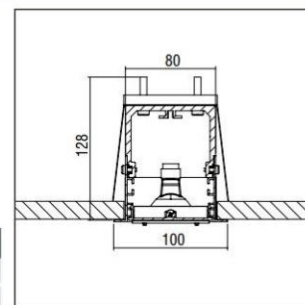
SLOTLIGHT + Module 50 G5.3



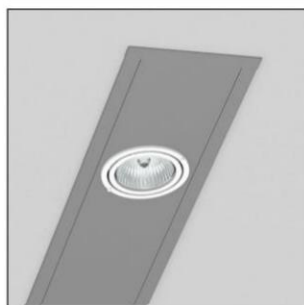
| | | |
|--|------|-------|
| CE | F | IP 20 |
| 25° | 350° | |
| GROUND CONNECTION BY PRISMATIC RECTIFIER | | |
| | | 12V |

- Simple version for incandescent halogen max.50W 12V (QR-CBC 51).

| Code | Description | L | Kg |
|-------|-------------------------------------|-----|-------|
| 92304 | Slotlight Module 50 1x max.50W/G5,3 | 300 | 1,570 |
| 92305 | Slotlight Module 50 2x max.50W/G5,3 | 450 | 2,360 |



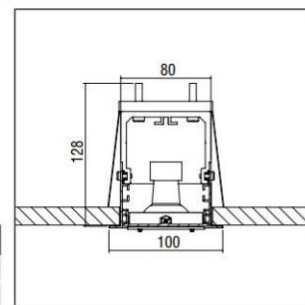
SLOTLIGHT + Module 50 GU10



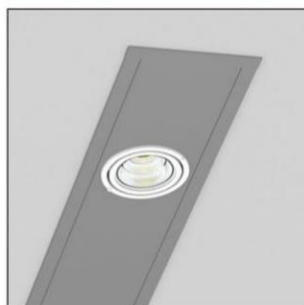
| | | |
|--------|------|-------|
| CE | F | IP 20 |
| 30° | 350° | |
| PAR 16 | LED | FLUO |

- Simple version for incandescent halogen max.50W 230V (PAR16).

| Code | Description | L | Kg |
|-------|-------------------------------------|-----|-------|
| 92301 | Slotlight Module 50 1x max.50W/GU10 | 170 | 0,900 |
| 92302 | Slotlight Module 50 2x max.50W/GU10 | 250 | 1,300 |



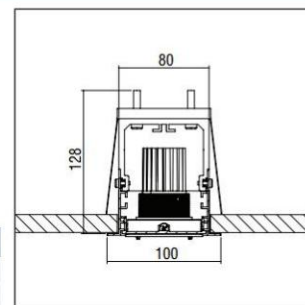
SLOTLIGHT + Module 50 IRA 2 Reflector



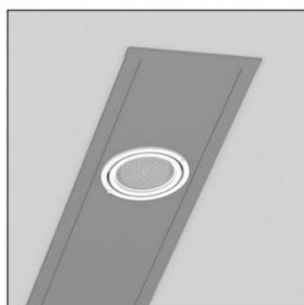
| | | |
|-----|------|---------|
| CE | F | IP 20 |
| 25° | 350° | |
| LED | 5 | ta 25°C |
| | | 350mA |

- Reflectors: Medium, Wide.
 - 7W power consumption driven at 350mA.
 - Efficiency:
 4000 K: 825 Lumen, CRI: min. 80
 3000 K: 720 Lumen, CRI: min. 80
 Maximum: 118 Lm/W

| Code | Description | L | Kg |
|-------|---|-----|-------|
| 92307 | Slotlight Module 50 1x IRA 2 7W Reflector | 300 | 1,570 |
| 92308 | Slotlight Module 50 2x IRA 2 7W Reflector | 450 | 2,360 |



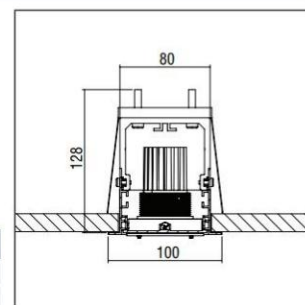
SLOTLIGHT + Module 50 DIMITRA 2 Reflector HO



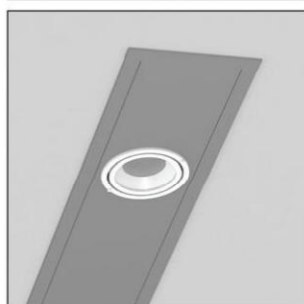
| | | |
|-----|------|---------|
| CE | F | IP 40 |
| 25° | 350° | |
| LED | 5 | ta 25°C |
| | | 500mA |

- Reflectors: Spot, Medium, Wide.
 - 5W power consumption driven at 500mA.
 - Efficiency:
 5W: 4000 K: 419 Lumen, CRI: min. 80
 5W: 3000 K: 419 Lumen, CRI: min. 80
 Maximum: 84 Lm/W

| Code | Description | L | Kg |
|-------|--|-----|-------|
| 92309 | Slotlight Module 50 1x DIMITRA 2 5W Ref.HO | 300 | 1,570 |
| 92310 | Slotlight Module 50 2x DIMITRA 2 5W Ref.HO | 450 | 2,360 |



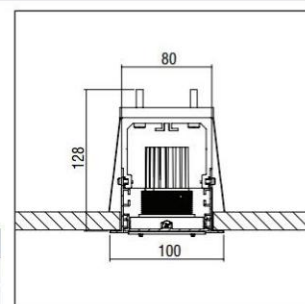
SLOTLIGHT + Module 50 ARTEMIS 2 Diffuser Prismatic



| | | |
|-----|------|-----------|
| CE | F | IP 40 |
| 25° | 350° | |
| D | LED | ta 25°C |
| | | 350/500mA |

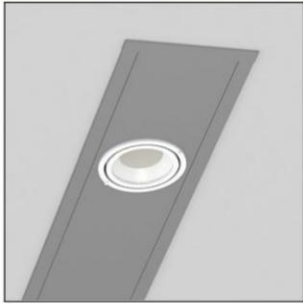
- Beam: Diffuser.
 - 5W power consumption driven at 500mA.
 - 7W power consumption driven at 350mA.
 - Efficiency:
 5W: 4000 K: 419 Lumen, CRI: min. 80
 5W: 3000 K: 419 Lumen, CRI: min. 80
 7W: 4000 K: 825 Lumen, CRI: min. 80
 7W: 3000 K: 720 Lumen, CRI: min. 80
 Maximum: 118 Lm/W

| Code | Description | L | Kg |
|-------|---|-----|-------|
| 92311 | Slotlight Module 50 1x ARTEMIS 2 5W Diffuser Prism. | 300 | 1,570 |
| 92312 | Slotlight Module 50 2x ARTEMIS 2 5W Diffuser Prism. | 450 | 2,360 |
| 92313 | Slotlight Module 50 1x ARTEMIS 2 7W Diffuser Prism. | 300 | 1,570 |
| 92314 | Slotlight Module 50 2x ARTEMIS 2 7W Diffuser Prism. | 450 | 2,360 |



SLOTLIGHT

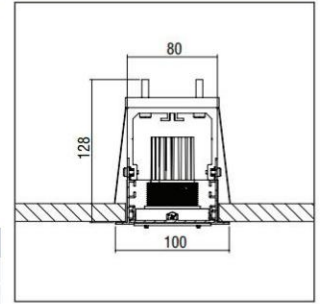
SLOTLIGHT + Module 50 ATHINA 2 Diffuser Opal



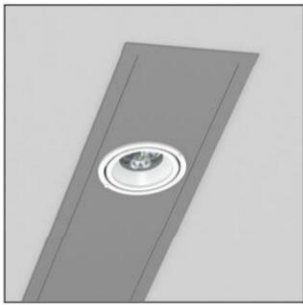
| | | |
|-----|-----------|---------|
| CE | F | IP 40 |
| 20° | 350° | |
| D | | |
| LED | 350/500mA | ta 25°C |

- Beam: Diffuser.
- 5W power consumption driven at 500mA.
- 7W power consumption driven at 350mA.
- Efficiency:
 - 5W: 4000 K: 419 Lumen, CRI: min. 80
 - 5W: 3000 K: 419 Lumen, CRI: min. 80
 - 7W: 4000 K: 825 Lumen, CRI: min. 80
 - 7W: 3000 K: 720 Lumen, CRI: min. 80
- Maximum: 118 Lm/W

| Code | Description | L | Kg |
|----------|--|-----|-------|
| 92315-00 | Slotlight Module 50 1x ATHINA 2 5W Diffuser Opal | 300 | 1,570 |
| 92316-00 | Slotlight Module 50 2x ATHINA 2 5W Diffuser Opal | 450 | 2,360 |
| 92317-00 | Slotlight Module 50 1x ATHINA 2 7W Diffuser Opal | 300 | 1,570 |
| 92318-00 | Slotlight Module 50 2x ATHINA 2 7W Diffuser Opal | 450 | 2,360 |



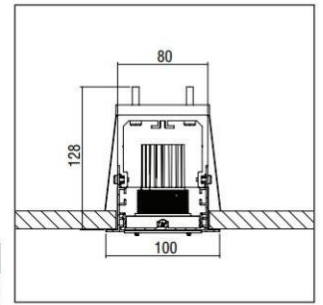
SLOTLIGHT + Module 50 VENUS 2 Lens



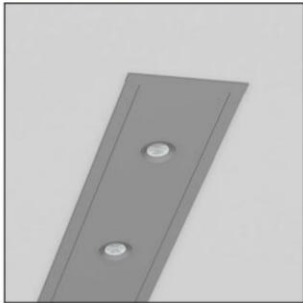
| | | |
|-----|-----------|---------|
| CE | F | IP 40 |
| 25° | 350° | |
| | | |
| LED | 350/700mA | ta 25°C |

- Lens: Spot, Medium, Wide.
- 3W power consumption driven at 350mA.
- 6W power consumption driven at 700mA.
- Efficiency:
 - 3W: 4000 K: 321 Lumen, CRI: min. 75
 - 3W: 3000 K: 300 Lumen, CRI: min. 80
 - 6W: 4000 K: 600 Lumen, CRI: min. 75
 - 6W: 3000 K: 570 Lumen, CRI: min. 80
- Maximum: 107 Lm/W

| Code | Description | L | Kg |
|----------|---|-----|-------|
| 92319-00 | Slotlight Module 50 1x VENUS 2 3W/6W Lens | 300 | 1,570 |
| 92320-00 | Slotlight Module 50 2x VENUS 2 3W/6W Lens | 450 | 2,360 |



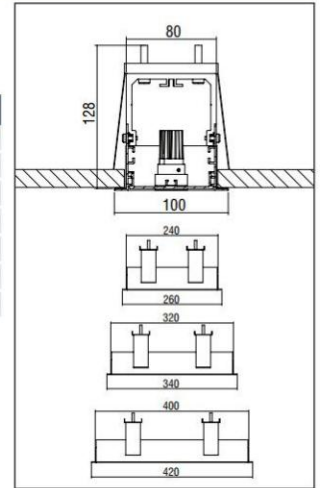
SLOTLIGHT + Module 30



| | | |
|-----|----------|---------|
| CE | F | IP 20 |
| 0° | 0° | |
| | | |
| LED | Included | ta 25°C |

- Version for LED CHIP.
- Aluminium body.
- Lens in Spot, Medium, Wide or spot reflector selection.

| Code | Description | L | Kg |
|----------|------------------------------------|-----|-------|
| 92321-00 | Slotlight Module 30 1x2W Lens | 240 | 1,260 |
| 92322-00 | Slotlight Module 30 2x2W Lens | 320 | 1,680 |
| 92323-00 | Slotlight Module 30 3x2W Lens | 400 | 2,100 |
| 92324-01 | Slotlight Module 30 1x2W Reflector | 240 | 1,260 |
| 92325-01 | Slotlight Module 30 2x2W Reflector | 320 | 1,680 |
| 92326-01 | Slotlight Module 30 3x2W Reflector | 400 | 2,100 |



LED COLOUR CODES:

2 Warm 3 Neutral

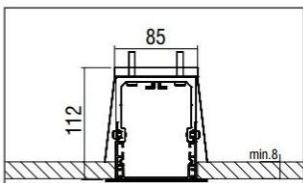
BEAM CODES:

01 spot 02 medium 03 wide

Colour Codes:

0 Colours 1 White 2 Titan 3 Black 5 matt Alum. 9 Anodized

SLOTLIGHT ACCESSORIES



| | | |
|----|--|--|
| CE | | |
|----|--|--|

- Metal suspension bracket.
- Required 1pc per 1m profile length.

| Code | Description | Kg |
|--------|---|-------|
| 900210 | Suspension Bracket Slotlight / Slotlight Louvre | 0,270 |
| 900220 | Suspension Bracket Slotlight WW | 0,270 |

SLOTLIGHT



SLOTLIGHT

