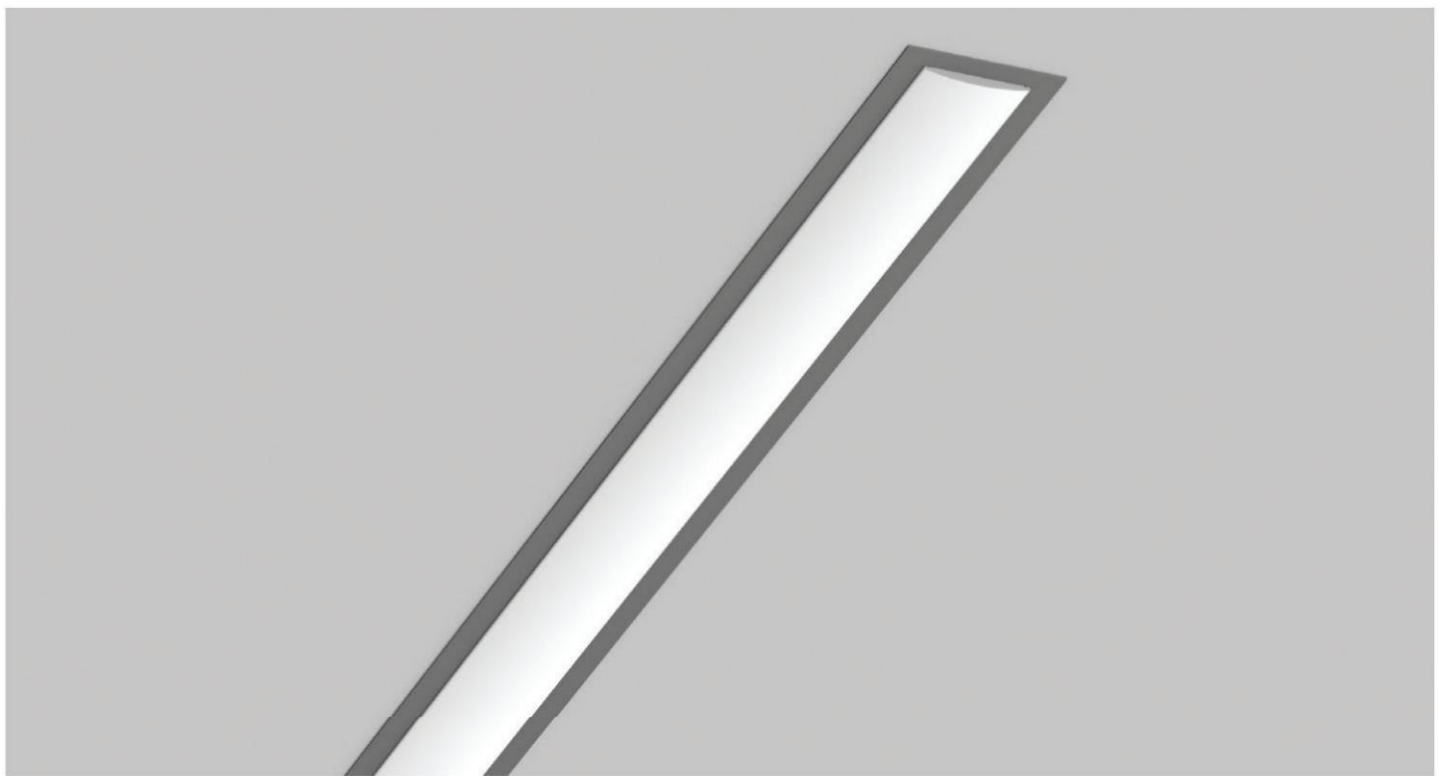


HIGH SYSTEM / LOW SYSTEM



This luminaire combines the architectural style with the efficiency. It produces perfect lighting conditions without annoying reflections and that is why it can be used from entrance areas to offices. Uniformly illuminated lines with no dark shadows can be created thanks to the Seamless version of T16 lamps.

The LED version escapes the restrictions of the T16 lamp by using LED lighting points that can have any spacing pitch and this gives the light line enormous flexibility. The visual benefit: The continuous-row system is illuminated absolutely uniformly from beginning to end, is economically efficient, is maintenance-free and it has long service life.

Technical Features

- Housing from aluminium profile, painted electrostatically in selected colour.
- High efficient diffuser in opal PMMA.
- Flow recuperator in white colour.

Upon request

- Connection for operation with electronic dimmable ballast.

For LED Version

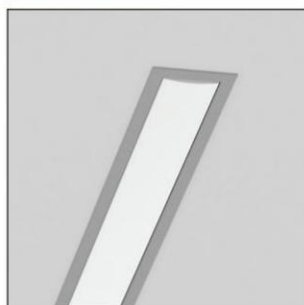
- Pure light without IR/UV radiation.
- Efficient thermal management.
- Up to 20W/m and 2000 Lm luminous flux range.
- Operation life: 50,000 hours with efficiency > 70% of the initial luminous flux.
- Connection for operation on 230V/50Hz.

Upon request:

Available with highest colour rendering index (CRI)

HIGH SYSTEM / LOW SYSTEM

HIGH SYSTEM



CE F IP 43

T16 SEAMLESS
OSRAM T5 PHILIPS T5 OSRAM SEAMLESS

Included

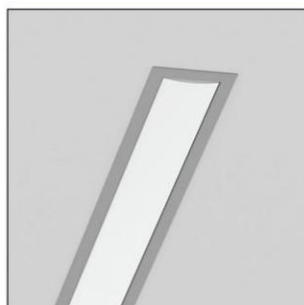
- Version for T16 and T16 SEAMLESS.
- Aluminium body.
- High efficient diffuser in opal PMMA.
- Flow recuperator in white colour.
- Suspension and power supply not included.

Code	Description	L	Kg
97001	High System 1x13/14W T16	615	1,070
97003	High System 1x20/24W T16	615	1,070
97005	High System 1x19/21W T16	915	1,600
97007	High System 1x34/39W T16	915	1,600
97009	High System 1x25/28W T16	1215	2,070
97011	High System 1x50/54W T16	1215	2,070
97013	High System 1x32/35W T16	1515	2,580
97015	High System 1x45/49W T16	1515	2,580
97017	High System 1x73/80W T16	1515	2,580
97037	High System 1x14W SEAMLESS	615	1,070
97039	High System 1x24W SEAMLESS	615	1,070
97041	High System 1x21W SEAMLESS	915	1,600
97043	High System 1x39W SEAMLESS	915	1,600
97045	High System 1x28W SEAMLESS	1215	2,070
97047	High System 1x54W SEAMLESS	1215	2,070
97053	High System 1 + 1x21W SEAMLESS	1805	3,600
97055	High System 1 + 1x39W SEAMLESS	1805	3,600
97057	High System 1 + 1x28W SEAMLESS	2405	4,700
97059	High System 1 + 1x54W SEAMLESS	2405	4,700

Hole

1x13/14W - 20/24W T16	54 x 605
1x19/21W - 34/39W T16	54 x 905
1x25/28W - 50/54W T16	54 x 1205
1x32/35W - 45/49W T16	54 x 1505
1x73/80W T16	54 x 1505
1x14 - 24W T16 SLS	54 x 605
1x21 - 39W T16 SLS	54 x 905
1x28 - 54W T16 SLS	54 x 1205
1 + 1x21W - 39W T16 SLS	54 x 1795
1 + 1x28W - 54W T16 SLS	54 x 2395

HIGH SYSTEM LED



CE F IP 43

LED ta 25°C

- Version for LED CHIP.
- Aluminium body.
- High efficient diffuser in opal PMMA.
- Flow recuperator in white colour.
- Suspension and power supply not included.
- Efficiency: 100 Lumen / Watt.

Code	Description	L	Kg
97073	High System Led 12W 1200 lm Neutral	615	1,280
97074	High System Led 18W 1800 lm Neutral	895	1,860
97075	High System Led 24W 2400 lm Neutral	1175	2,450
97076	High System Led 30W 3000 lm Neutral	1455	3,010
97077	High System Led 12W 1200 lm Warm	615	1,280
97078	High System Led 18W 1800 lm Warm	895	1,860
97079	High System Led 24W 2400 lm Warm	1175	2,450
97080	High System Led 30W 3000 lm Warm	1455	3,010

Hole

12W	54 x 605
18W	54 x 885
24W	54 x 1165
30W	54 x 1445

Colour Codes:

0 Colours 1 White 2 Titan 3 Black 5 matt Alum.

HIGH SYSTEM / LOW SYSTEM

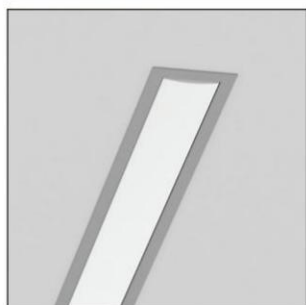


HIGH SYSTEM / LOW SYSTEM



HIGH SYSTEM / LOW SYSTEM

LOW SYSTEM



CE F IP 43

T16 SEAMLESS
CORIAN: T5 PHILIPS: T15 CORIAN: SEAMLESS

Included

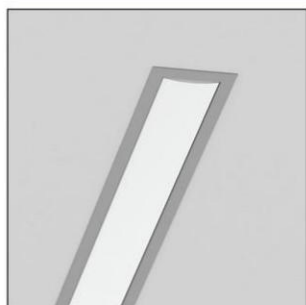
- Version for T16 and T16 SEAMLESS.
- Aluminium body.
- High efficient diffuser in opal PMMA.
- Flow recuperator in white colour.
- Suspension and power supply not included.

Code	Description	L	Kg
98101	Low System 1x13/14W T16	615	1,070
98103	Low System 1x20/24W T16	615	1,070
98105	Low System 1x19/21W T16	915	1,600
98107	Low System 1x34/39W T16	915	1,600
98109	Low System 1x25/28W T16	1215	2,070
98111	Low System 1x50/54W T16	1215	2,070
98113	Low System 1x32/35W T16	1515	2,580
98115	Low System 1x45/49W T16	1515	2,580
98117	Low System 1x73/80W T16	1515	2,580
98137	Low System 1x14W SEAMLESS	615	1,070
98139	Low System 1x24W SEAMLESS	615	1,070
98141	Low System 1x21W SEAMLESS	915	1,600
98143	Low System 1x39W SEAMLESS	915	1,600
98145	Low System 1x28W SEAMLESS	1215	2,070
98147	Low System 1x54W SEAMLESS	1215	2,070
98153	Low System 1 + 1x21W SEAMLESS	1805	4,320
98155	Low System 1 + 1x39W SEAMLESS	1805	4,320
98157	Low System 1 + 1x28W SEAMLESS	2405	5,750
98159	Low System 1 + 1x54W SEAMLESS	2405	5,750

Hole

1x13/14W - 20/24W T16	54 x 605
1x19/21W - 34/39W T16	54 x 905
1x25/28W - 50/54W T16	54 x 1205
1x32/35W - 45/49W T16	54 x 1505
1x73/80W T16	54 x 1505
1x14 - 24W T16 SLS	54 x 605
1x21 - 39W T16 SLS	54 x 905
1x28 - 54W T16 SLS	54 x 1205
1 + 1x21W - 39W T16 SLS	54 x 1795
1 + 1x28W - 54W T16 SLS	54 x 2395

LOW SYSTEM LED



CE F IP 43

LED ta 25°C

- Version for LED CHIP.
- Aluminium body.
- High efficient diffuser in opal PMMA.
- Flow recuperator in white colour.
- Suspension and power supply not included.
- Efficiency: 100 Lumen / Watt.

Code	Description	L	Kg
98173	Low System Led 12W 1200 lm Neutral	615	1,070
98174	Low System Led 18W 1800 lm Neutral	895	1,550
98175	Low System Led 24W 2400 lm Neutral	1175	2,040
98176	Low System Led 30W 3000 lm Neutral	1455	2,520
98177	Low System Led 12W 1200 lm Warm	615	1,070
98178	Low System Led 18W 1800 lm Warm	895	1,550
98179	Low System Led 24W 2400 lm Warm	1175	2,040
98180	Low System Led 30W 3000 lm Warm	1455	2,520

Hole

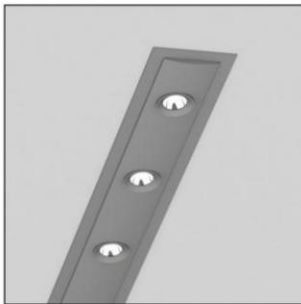
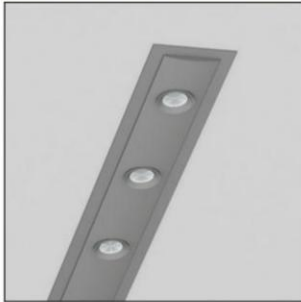
12W	54 x 605
18W	54 x 885
24W	54 x 1165
30W	54 x 1445

Colour Codes:

- 0 Colours 1 White 2 Titan 3 Black 5 matt Alum.

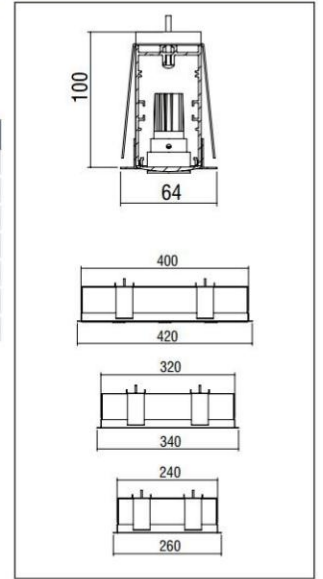
HIGH SYSTEM / LOW SYSTEM

HIGH SYSTEM + Module 30



- Version for LED CHIP.
- Aluminium body.
- Lens in Spot, Medium, Wide or spot reflector selection.
- Efficiency: 107 Lumen / Watt.

Code	Description	L	Kg
97101	High System Module 30 1x2W Lens	260	0,560
97102	High System Module 30 2x2W Lens	340	0,730
97103	High System Module 30 3x2W Lens	420	0,900
97104	High System Module 30 1x2W Reflector	260	0,560
97105	High System Module 30 2x2W Reflector	340	0,730
97106	High System Module 30 3x2W Reflector	420	0,900



LED COLOUR CODES:

2 Warm 3 Neutral

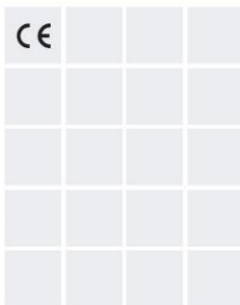
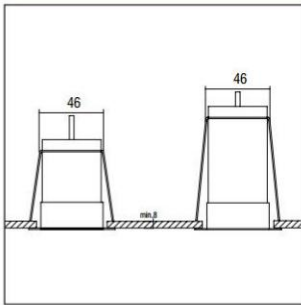
BEAM CODES:

01 spot 02 medium 03 wide

Colour Codes:

0 Colours 1 White 2 Titan 3 Black 5 matt Alum.

HIGH SYSTEM / LOW SYSTEM ACCESSORIES



- Version for LED CHIP.
- Aluminium body.
- Lens in Spot, Medium, Wide or spot reflector selection.
- Efficiency: 107 Lumen / Watt.

Code	Description	Kg
900230	Suspension Bracket High System	0,270
900240	Suspension Bracket Low System	0,270