

HIGH SYSTEM TRIMLESS



The trimless version of HIGH SYSTEM, with the diffuser position deeper from the ceiling level, gives the impression of an almost immaterial luminaire fully integrated to the ceiling. This architectural advantage, in combination with the perfect lighting conditions without annoying reflections, make the Trimless High System suitable for many different working areas (offices, houses, entrance areas etc).

Uniformly illuminated lines with no dark shadows can be created thanks to the Seamless version of T16 fluorescent lamps.

The LED version escapes also the restrictions of the T16 fluorescent lamps, by using LED lighting points that can have any spacing pitch, and this gives the light line enormous flexibility. The visual benefit: The continuous-row system is illuminated absolutely uniformly from beginning to end, is economically efficient, maintenance free and it has long service-life.

Technical Features

- Housing from aluminium profile, painted electrostatically in selected colour.
- High efficient diffuser in opal PMMA.
- Flow recuperator in white colour.

Upon request

- Connection for operation with electronic dimmable ballast.

For LED Version

- Pure light without IR/UV radiation.
- Efficient thermal management.
- Up to 20W/m and 2000 Lm luminous flux range.
- Operation life: 50,000 hours with efficiency > 70% of the initial luminous flux.
- Connection for operation on 230V/50Hz.

Upon request:

Available with highest colour rendering index (CRI)

HIGH SYSTEM TRIMLESS

HIGH SYSTEM TRIMLESS



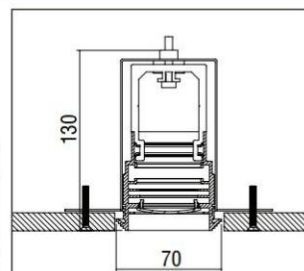
CE F IP 20 43

T16 SEAMLESS
CORIAN: T5 PHILIPS: T5 CORIAN: SEAMLESS

Included

- Version for T16 and T16 SEAMLESS.
- Aluminium body.
- High efficient diffuser in opal PMMA.
- Flow recuperator in white colour.
- Suspension and power supply not included.

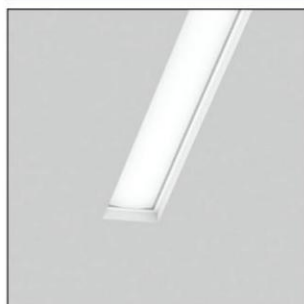
Code	Description	L	Kg
98801	High System Trimless 1x13/14W T16	620	2,170
98803	High System Trimless 1x20/24W T16	620	2,170
98805	High System Trimless 1x19/21W T16	920	3,220
98807	High System Trimless 1x34/39W T16	920	3,220
98809	High System Trimless 1x25/28W T16	1220	4,270
98811	High System Trimless 1x50/54W T16	1220	4,270
98813	High System Trimless 1x32/35W T16	1520	5,320
98815	High System Trimless 1x45/49W T16	1520	5,320
98817	High System Trimless 1x73/80W T16	1520	5,320
98837	High System Trimless 1x14W SEAMLESS	620	2,170
98839	High System Trimless 1x24W SEAMLESS	620	2,170
98841	High System Trimless 1x21W SEAMLESS	920	3,220
98843	High System Trimless 1x39W SEAMLESS	920	3,220
98845	High System Trimless 1x28W SEAMLESS	1220	4,270
98847	High System Trimless 1x54W SEAMLESS	1220	4,270
98853	High System Trimless 1+1x21W SEAMLESS	1725	6,040
98855	High System Trimless 1+1x39W SEAMLESS	1725	6,040
98857	High System Trimless 1+1x28W SEAMLESS	2045	7,160
98859	High System Trimless 1+1x54W SEAMLESS	2045	7,160



Hole

1x13/14W - 20/24W T16	76 x 626
1x19/21W - 34/39W T16	76 x 926
1x25/28W - 50/54W T16	76 x 1226
1x32/35W - 45/49W T16	76 x 1526
1x73/80W T16	76 x 1526
1x14 - 24W T16 SLS	76 x 626
1x21 - 39W T16 SLS	76 x 926
1x28 - 54W T16 SLS	76 x 1226
1+1x21W - 39W T16 SLS	76 x 1731
1+1x28W - 54W T16 SLS	76 x 2051

HIGH SYSTEM TRIMLESS LED

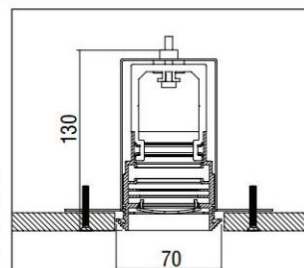


CE F IP 20 43

LED ta 25°C

- Version for LED CHIP.
- Aluminium body.
- High efficient diffuser in opal PMMA.
- Flow recuperator in white colour.
- Suspension and power supply not included.
- Efficiency: 100 Lumen / Watt.

Code	Description	Hole	L	Kg
98873	High System Trimless Led 12W 1200 lm Neutral	620	2,170	
98874	High System Trimless Led 18W 1800 lm Neutral	900	3,150	
98875	High System Trimless Led 24W 2400 lm Neutral	1180	4,130	
98876	High System Trimless Led 30W 3000 lm Neutral	1460	5,110	
98877	High System Trimless Led 12W 1200 lm Warm	620	2,170	
98878	High System Trimless Led 18W 1800 lm Warm	900	3,150	
98879	High System Trimless Led 24W 2400 lm Warm	1180	4,130	
98880	High System Trimless Led 30W 3000 lm Warm	1460	5,110	



Hole

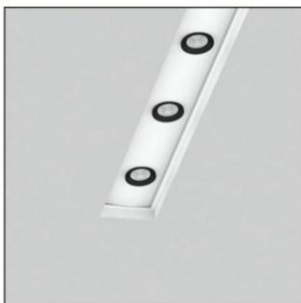
12W	76 x 626
18W	76 x 906
24W	76 x 1186
30W	76 x 1466

Colour Codes:

- 0 Colours 1 White 2 Titan 3 Black

HIGH SYSTEM TRIMLESS

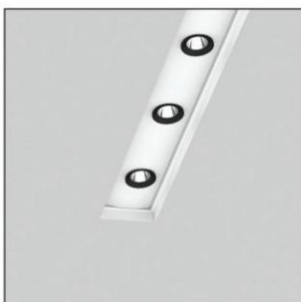
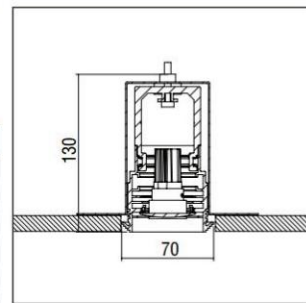
HIGH SYSTEM TRIMLESS + Module 30



CE	F	IP 20
0°	0°	
LED	5 YEAR WARRANTY	ta 25°C
		Included

- Version for LED CHIP.
- Aluminium body.
- Lens in Spot, Medium, Wide or spot reflector selection.
- Efficiency: 107 Lumen / Watt.

Code	Description	L	Kg
98901	High System Trimless Module 30 1x2W Lens	250	0,680
98902	High System Trimless Module 30 2x2W Lens	330	0,900
98903	High System Trimless Module 30 3x2W Lens	410	1,110
98904	High System Trimless Module 30 1x2W Reflector	250	0,680
98905	High System Trimless Module 30 2x2W Reflector	330	0,900
98906	High System Trimless Module 30 3x2W Reflector	410	1,110



LED COLOUR CODES:

2 Warm 3 Neutral

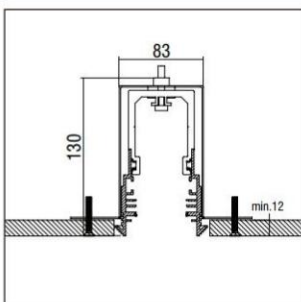
BEAM CODES:

01 spot 02 medium 03 wide

Colour Codes:

0 Colours 1 White 2 Titan 3 Black

HIGH SYSTEM TRIMLESS ACCESSORIES



CE		

- Metal suspension bracket.
- Required 1pc per 1m profile length.

Code	Description	Kg
900270	Suspension Bracket High System Trimless	0,470

