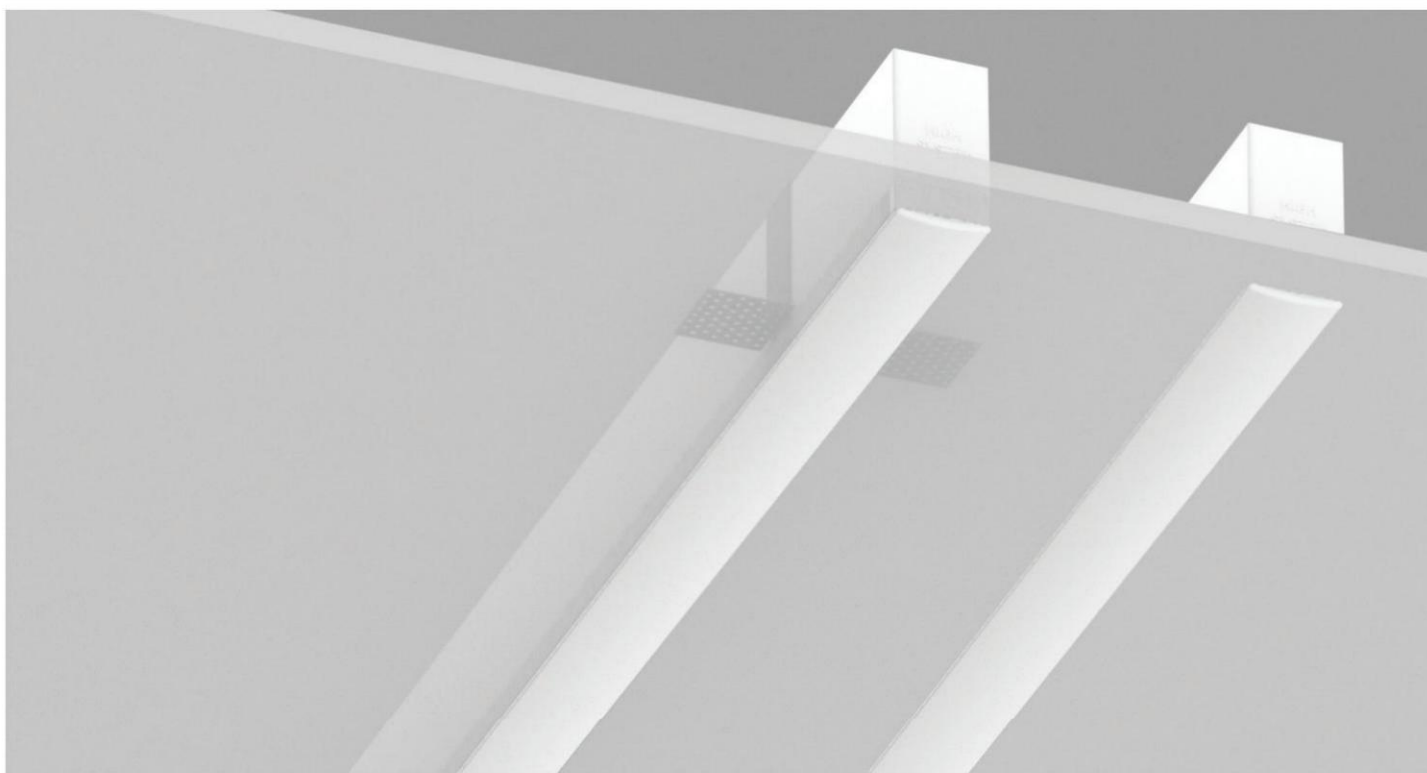


HIGH SYSTEM SURFACE - TRIMLESS

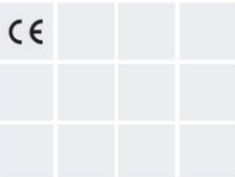
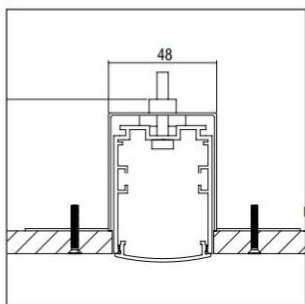
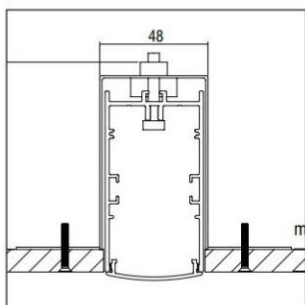


The surface version with trimless view. Using the special suspension bracket for High or Low System profile get a unique option of a trimless profile. With the diffuser position in the same level with the ceiling, gives the impression of an almost immaterial luminaire fully integrated to the ceiling. This architectural advantage, in combination with the perfect lighting conditions without annoying reflections, make the Trimless High System suitable for many different working areas (offices, houses, entrance areas etc).

Uniformly illuminated lines with no dark shadows can be created thanks to the Seamless version of T16 fluorescent lamps.

The LED version escapes also the restrictions of the T16 fluorescent lamps, by using LED lighting points that can have any spacing pitch, and this gives the light line enormous flexibility. The visual benefit: The continuous-row system is illuminated absolutely uniformly from beginning to end, is economically efficient, maintenance free and it has long service-life.

HIGH SYSTEM SURFACE - TRIMLESS ACCESSORIES



- Metal suspension bracket.
- Required 1pc per 1m profile length.

Code	Description	Kg
900250	Suspension Bracket High System Surface-Trimless	0,470
900260	Suspension Bracket Low System Surface-Trimless	0,470

SLOTLIGHT TRIMLESS



The trimless version of SLOTLIGHT, with the diffuser position deeper from the ceiling level, gives the impression of an almost immaterial luminaire fully integrated to the ceiling. This architectural advantage, in combination with the perfect lighting conditions without annoying reflections, make the Trimless Slotlight suitable for many different working areas (offices, houses, entrance areas etc).

Uniformly illuminated lines with no dark shadows can be created thanks to the "tetris" installation of the T16 fluorescent lamps.

The LED version escapes the restrictions of the T16 fluorescent lamps, by using LED lighting points that can have any spacing pitch, and this gives the light line enormous flexibility. The visual benefit: The continuous-row system is illuminated absolutely uniformly from beginning to end, is economically efficient, maintenance free and it has long service-life.

Technical Features

- Housing from aluminium profile, painted electrostatically in selected colour.
- High efficient diffuser in opal PMMA.
- Flow recuperator in white colour.

Upon request

- Connection for operation with electronic dimmable ballast.

For LED Version

- Pure light without IR/UV radiation.
- Efficient thermal management.
- Up to 28W/m and 3864 Lm luminous flux range.
- Operation life: 50,000 hours with efficiency > 70% of the initial luminous flux.
- Connection for operation on 230V/50Hz.

Upon request:

Available with highest colour rendering index (CRI)

SLOTLIGHT TRIMLESS

SLOTLIGHT TRIMLESS



CE F IP 20 43

T16 SEAMLESS

OSRAM T5 PHILIPS T5 OSRAM SEAMLESS

Included

- Version for T16.
- Aluminium body.
- High efficient diffuser in opal PMMA.
- Flow recuperator in white colour.
- Suspension brackets not included.

Code	Description	L	Kg
92501	Slotlight Trimless 1x13/14W T16	610	1,300
92503	Slotlight Trimless 1x20/24W T16	610	1,300
92505	Slotlight Trimless 1x19/21W T16	910	1,940
92507	Slotlight Trimless 1x34/39W T16	910	1,940
92509	Slotlight Trimless 1x25/28W T16	1210	2,580
92511	Slotlight Trimless 1x50/54W T16	1210	2,580
92513	Slotlight Trimless 1x32/35W T16	1510	3,220
92515	Slotlight Trimless 1x45/49W T16	1510	3,220
92517	Slotlight Trimless 1x73/80W T16	1510	3,220
92537	Slotlight Trimless 2x13/14W T16	610	1,300
92539	Slotlight Trimless 2x20/24W T16	610	1,300
92541	Slotlight Trimless 2x19/21W T16	910	1,940
92543	Slotlight Trimless 2x34/39W T16	910	1,940
92545	Slotlight Trimless 2x25/28W T16	1210	2,580
92547	Slotlight Trimless 2x50/54W T16	1210	2,580
92549	Slotlight Trimless 2x32/35W T16	1510	3,220
92551	Slotlight Trimless 2x45/49W T16	1510	3,220
92553	Slotlight Trimless 2x73/80W T16	1510	3,220
92523	Slotlight Trimless 1 + 1x19/21W T16	1675	3,570
92525	Slotlight Trimless 1 + 1x34/39W T16	1675	3,570
92527	Slotlight Trimless 1 + 1x25/28W T16	2275	4,850
92529	Slotlight Trimless 1 + 1x50/54W T16	2275	4,850
92531	Slotlight Trimless 1 + 1x32/35W T16	2875	6,130
92533	Slotlight Trimless 1 + 1x45/49W T16	2875	6,130
92535	Slotlight Trimless 1 + 1x73/80W T16	2875	6,130
92559	Slotlight Trimless 2 + 2x19/21W T16	1885	4,020
92561	Slotlight Trimless 2 + 2x34/39W T16	1885	4,020
92563	Slotlight Trimless 2 + 2x25/28W T16	2485	5,300
92565	Slotlight Trimless 2 + 2x50/54W T16	2485	5,300
92567	Slotlight Trimless 2 + 2x32/35W T16	3085	6,580
92569	Slotlight Trimless 2 + 2x45/49W T16	3085	6,580
92571	Slotlight Trimless 2 + 2x73/80W T16	3085	6,580

Hole

1-2x13/14W - 20/24W T16	108 x 616
1-2x19/21W - 34/39W T16	108 x 916
1-2x25/28W - 50/54W T16	108 x 1216
1-2x32/35W - 45/49W T16	108 x 1516
1-2x73/80W T16	108 x 1516
1+1x19/21W - 34/39W T16	108 x 1681
1+1x25/28W - 50/54W T16	108 x 2281
1+1x32/35W - 45/49W T16	108 x 2881
1+1x73/80W T16	108 x 2881
2+2x19/21W - 34/39W T16	108 x 1891
2+2x25/28W - 50/54W T16	108 x 2491
2+2x32/35W - 45/49W T16	108 x 3091
2+2x73/80W T16	108 x 3091

SLOTLIGHT TRIMLESS LED



CE F IP 20 43

LED

ta 25°C

Included

- Version for LED CHIP.
- Aluminium body.
- High efficient diffuser in opal PMMA.
- Flow recuperator in white colour.
- Suspension brackets not included.
- Efficiency: max.138 Lumen / Watt.

Code	Description	L	Kg
92573	Slotlight Trimless Led 16W 2200 lm Neutral	620	1,320
92574	Slotlight Trimless Led 28W 3100 lm Neutral	1180	2,520
92575	Slotlight Trimless Led 33W 4400 lm Neutral	1180	2,520
92576	Slotlight Trimless Led 42W 4650 lm Neutral	1740	3,700
92577	Slotlight Trimless Led 49W 6600 lm Neutral	1740	3,700
92578	Slotlight Trimless Led 56W 6200 lm Neutral	2300	4,900
92579	Slotlight Trimless Led 65W 8800 lm Neutral	2300	4,900
92580	Slotlight Trimless Led 16W 2200 lm Warm	620	1,320
92582	Slotlight Trimless Led 33W 4400 lm Warm	1180	2,520
92584	Slotlight Trimless Led 49W 6600 lm Warm	1740	3,700
92586	Slotlight Trimless Led 65W 8800 lm Warm	2300	4,900

Hole

16W	108 x 626
28W - 33W	108 x 1186
42W - 49W	108 x 1746
56W - 65W	108 x 2306

Colour Codes:

- 0 Colours 1 White 2 Titan 3 Black

SLOTLIGHT TRIMLESS

SLOTLIGHT TRIMLESS ANAGLYPH



CE F IP 43

T16

OSRAM T5 PHILIPS T16

Included

- Version for T16.
- Aluminium body.
- Diffuser in opal of 10mm PMMA.
- Flow recuperator in white colour.
- Suspension brackets not included.

Code	Description	L	Kg
92601	Slotlight Trimless Anaglyph 1x13/14W T16	610	2,100
92603	Slotlight Trimless Anaglyph 1x20/24W T16	610	2,100
92605	Slotlight Trimless Anaglyph 1x19/21W T16	910	3,130
92607	Slotlight Trimless Anaglyph 1x34/39W T16	910	3,130
92609	Slotlight Trimless Anaglyph 1x25/28W T16	1210	4,170
92611	Slotlight Trimless Anaglyph 1x50/54W T16	1210	4,170
92613	Slotlight Trimless Anaglyph 1x32/35W T16	1510	5,200
92615	Slotlight Trimless Anaglyph 1x45/49W T16	1510	5,200
92617	Slotlight Trimless Anaglyph 1x73/80W T16	1510	5,200
92637	Slotlight Trimless Anaglyph 2x13/14W T16	610	2,100
92639	Slotlight Trimless Anaglyph 2x20/24W T16	610	2,100
92641	Slotlight Trimless Anaglyph 2x19/21W T16	910	3,130
92643	Slotlight Trimless Anaglyph 2x34/39W T16	910	3,130
92645	Slotlight Trimless Anaglyph 2x25/28W T16	1210	4,170
92647	Slotlight Trimless Anaglyph 2x50/54W T16	1210	4,170
92649	Slotlight Trimless Anaglyph 2x32/35W T16	1510	5,200
92651	Slotlight Trimless Anaglyph 2x45/49W T16	1510	5,200
92653	Slotlight Trimless Anaglyph 2x73/80W T16	1510	5,200
92623	Slotlight Trimless Anaglyph 1 + 1x19/21W T16	1675	5,770
92625	Slotlight Trimless Anaglyph 1 + 1x34/39W T16	1675	5,770
92627	Slotlight Trimless Anaglyph 1 + 1x25/28W T16	2275	7,830
92629	Slotlight Trimless Anaglyph 1 + 1x50/54W T16	2275	7,830
92631	Slotlight Trimless Anaglyph 1 + 1x32/35W T16	2875	9,890
92633	Slotlight Trimless Anaglyph 1 + 1x45/49W T16	2875	9,890
92635	Slotlight Trimless Anaglyph 1 + 1x73/80W T16	2875	9,890
92659	Slotlight Trimless Anaglyph 2 + 2x19/21W T16	1885	6,490
92661	Slotlight Trimless Anaglyph 2 + 2x34/39W T16	1885	6,490
92663	Slotlight Trimless Anaglyph 2 + 2x25/28W T16	2485	8,550
92665	Slotlight Trimless Anaglyph 2 + 2x50/54W T16	2485	8,550
92667	Slotlight Trimless Anaglyph 2 + 2x32/35W T16	3085	10,620
92669	Slotlight Trimless Anaglyph 2 + 2x45/49W T16	3085	10,620
92671	Slotlight Trimless Anaglyph 2 + 2x73/80W T16	3085	10,620

Hole

1-2x13/14W - 20/24W T16	108 x 616
1-2x19/21W - 34/39W T16	108 x 916
1-2x25/28W - 50/54W T16	108 x 1216
1-2x32/35W - 45/49W T16	108 x 1516
1-2x73/80W T16	108 x 1516
1+1x19/21W - 34/39W T16	108 x 1681
1+1x25/28W - 50/54W T16	108 x 2281
1+1x32/35W - 45/49W T16	108 x 2881
1+1x73/80W T16	108 x 2881
2+2x19/21W - 34/39W T16	108 x 1891
2+2x25/28W - 50/54W T16	108 x 2491
2+2x32/35W - 45/49W T16	108 x 3091
2+2x73/80W T16	108 x 3091

SLOTLIGHT TRIMLESS ANAGLYPH LED



CE F IP 20 43

LED

ta 25°C

Included

- Version for LED CHIP.
- Aluminium body.
- Diffuser in opal of 10mm PMMA.
- Flow recuperator in white colour.
- Suspension brackets not included.
- Efficiency: max.138 Lumen / Watt.

Code	Description	L	Kg
92673	Slotlight Trimless Anaglyph Led 16W 2200 lm Neutral	620	2,140
92674	Slotlight Trimless Anaglyph Led 28W 3100 lm Neutral	1180	4,060
92675	Slotlight Trimless Anaglyph Led 33W 4400 lm Neutral	1180	4,060
92676	Slotlight Trimless Anaglyph Led 42W 4650 lm Neutral	1740	5,990
92677	Slotlight Trimless Anaglyph Led 49W 6600 lm Neutral	1740	5,990
92678	Slotlight Trimless Anaglyph Led 56W 6200 lm Neutral	2300	7,920
92679	Slotlight Trimless Anaglyph Led 65W 8800 lm Neutral	2300	7,920
92680	Slotlight Trimless Anaglyph Led 16W 2200 lm Warm	620	2,140
92682	Slotlight Trimless Anaglyph Led 33W 4400 lm Warm	1180	4,060
92684	Slotlight Trimless Anaglyph Led 49W 6600 lm Warm	1740	5,990
92686	Slotlight Trimless Anaglyph Led 65W 8800 lm Warm	2300	7,920

Hole

16W	108 x 626
28W - 33W	108 x 1186
42W - 49W	108 x 1746
56W - 65W	108 x 2306



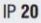
Colour Codes:


- 0 Colours 1 White 2 Titan 3 Black


SLOTLIGHT TRIMLESS

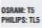
SLOTLIGHT TRIMLESS LOUVRE






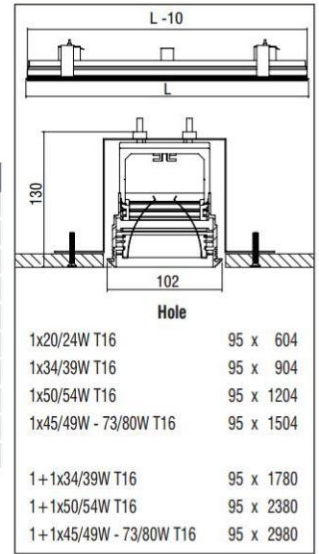






- Version for T16.
- Aluminium body.
- Parabolic reflector in specular anodized aluminium.
- Suspension brackets not included.

Code	Description	L	Kg
94303	Slotlight Trimless Louvre 1x20/24W T16	610	1,300
94307	Slotlight Trimless Louvre 1x34/39W T16	910	1,940
94311	Slotlight Trimless Louvre 1x50/54W T16	1210	2,580
94315	Slotlight Trimless Louvre 1x45/49W T16	1510	3,220
94317	Slotlight Trimless Louvre 1x73/80W T16	1510	3,220
94325	Slotlight Trimless Louvre 1+1x34/39W T16	1786	3,800
94329	Slotlight Trimless Louvre 1+1x50/54W T16	2386	5,090
94333	Slotlight Trimless Louvre 1+1x45/49W T16	2986	6,360
94335	Slotlight Trimless Louvre 1+1x73/80W T16	2986	6,360



Colour Codes:

- 0 Colours
 1 White
 2 Titan
 3 Black



SLOTLIGHT TRIMLESS

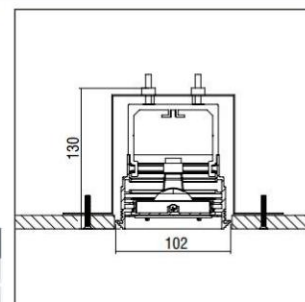
SLOTLIGHT TRIMLESS + Module 50 G5.3



CE	F	850°C	IP 20
25°	350°		
SHOWN SECTION IS PRINCIPAL RECTANGLE			
		12V	

- Simple version for incandescent halogen max.50W 12V (QR-CBC 51).

Code	Description	L	Kg
95204	Slotlight Trimless Module 50 1x max.50W/G5,3	300	1,570
95205	Slotlight Trimless Module 50 2x max.50W/G5,3	450	2,360



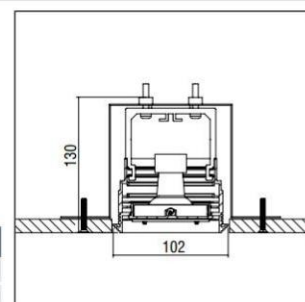
SLOTLIGHT TRIMLESS + Module 50 GU10



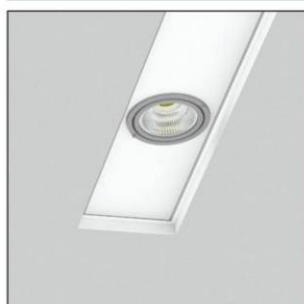
CE	F	850°C	IP 20
30°	350°		
PAR 16	LED	FLUO	

- Simple version for incandescent halogen max.50W 230V (PAR16).

Code	Description	L	Kg
95201	Slotlight Trimless Module 50 1x max.50W/GU10	170	0,890
95202	Slotlight Trimless Module 50 2x max.50W/GU10	250	1,300



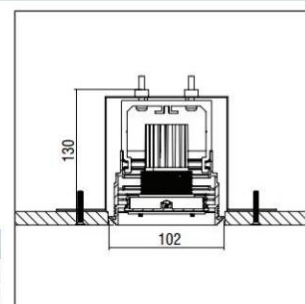
SLOTLIGHT TRIMLESS + Module 50 IRA 2 Reflector



CE	F	850°C	IP 20
25°	350°		
LED	5	ta 25°C	350mA

- Reflectors: Medium, Wide.
 - 7W power consumption driven at 350mA.
 - Efficiency:
 4000 K: 825 Lumen, CRI: min. 80
 3000 K: 720 Lumen, CRI: min. 80
 Maximum: 118 Lm/W

Code	Description	L	Kg
95207	Slotlight Trimless Module 50 1x IRA 2 7W Reflector	300	1,570
95208	Slotlight Trimless Module 50 2x IRA 2 7W Reflector	450	2,360



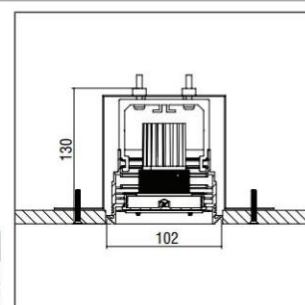
SLOTLIGHT TRIMLESS + Module 50 DIMITRA 2 Reflector HO



CE	F	850°C	IP 40
25°	350°		
LED	5	ta 25°C	500mA

- Reflectors: Spot, Medium, Wide.
 - 5W power consumption driven at 500mA.
 - Efficiency:
 5W: 4000 K: 419 Lumen, CRI: min. 80
 5W: 3000 K: 419 Lumen, CRI: min. 80
 Maximum: 84 Lm/W

Code	Description	L	Kg
95209	Slotlight Trimless Module 50 1x DIMITRA 2 5W Ref.HO	300	1,570
95210	Slotlight Trimless Module 50 2x DIMITRA 2 5W Ref.HO	450	2,360



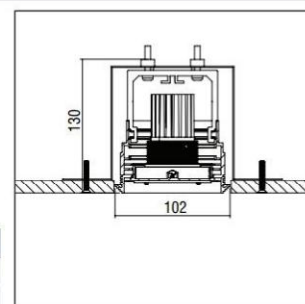
SLOTLIGHT TRIMLESS + Module 50 ARTEMIS 2 Diffuser Prismatic



CE	F	850°C	IP 40
25°	350°		
D	LED	5	ta 25°C
			350/500mA

- Beam: Diffuser.
 - 5W power consumption driven at 500mA.
 - 7W power consumption driven at 350mA.
 - Efficiency:
 5W: 4000 K: 419 Lumen, CRI: min. 80
 5W: 3000 K: 419 Lumen, CRI: min. 80
 7W: 4000 K: 825 Lumen, CRI: min. 80
 7W: 3000 K: 720 Lumen, CRI: min. 80
 Maximum: 118 Lm/W

Code	Description	L	Kg
95211	Slotlight Trimless Module 50 1x ARTEMIS 2 5W Diffuser Prism.	300	1,570
95212	Slotlight Trimless Module 50 2x ARTEMIS 2 5W Diffuser Prism.	450	2,360
95213	Slotlight Trimless Module 50 1x ARTEMIS 2 7W Diffuser Prism.	300	1,570
95214	Slotlight Trimless Module 50 2x ARTEMIS 2 7W Diffuser Prism.	450	2,360



SLOTLIGHT TRIMLESS

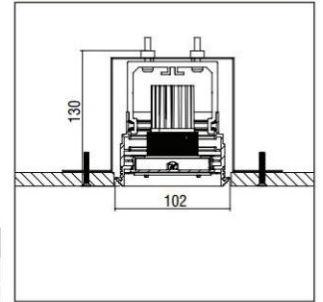
SLOTLIGHT TRIMLESS + Module 50 ATHINA 2 Diffuser Opal



CE	F	850°C	IP 40
20°	350°		
D			
LED	5	ta 25°C	350/500mA

- Beam: Diffuser.
- 5W power consumption driven at 500mA.
- 7W power consumption driven at 350mA.
- Efficiency:
- 5W: 4000 K: 419 Lumen, CRI: min. 80
- 5W: 3000 K: 419 Lumen, CRI: min. 80
- 7W: 4000 K: 825 Lumen, CRI: min. 80
- 7W: 3000 K: 720 Lumen, CRI: min. 80
- Maximum: 118 Lm/W

Code	Description	L	Kg
95215	Slotlight Trimless Module 50 1x ATHINA 2 5W Diffuser Opal	300	1,570
95216	Slotlight Trimless Module 50 2x ATHINA 2 5W Diffuser Opal	450	2,360
95217	Slotlight Trimless Module 50 1x ATHINA 2 7W Diffuser Opal	300	1,570
95218	Slotlight Trimless Module 50 2x ATHINA 2 7W Diffuser Opal	450	2,360



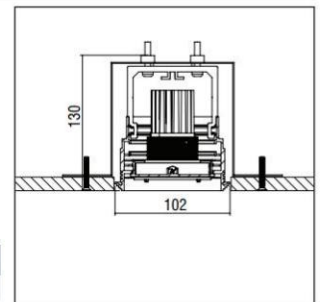
SLOTLIGHT TRIMLESS + Module 50 VENUS 2 Lens



CE	F	850°C	IP 40
25°	350°		
LED	5	ta 25°C	350/700mA

- Lens: Spot, Medium, Wide.
- 3W power consumption driven at 350mA.
- 6W power consumption driven at 700mA.
- Efficiency:
- 3W: 4000 K: 321 Lumen, CRI: min. 75
- 3W: 3000 K: 300 Lumen, CRI: min. 80
- 6W: 4000 K: 600 Lumen, CRI: min. 75
- 6W: 3000 K: 570 Lumen, CRI: min. 80
- Maximum: 107 Lm/W

Code	Description	L	Kg
95219	Slotlight Trimless Module 50 1x VENUS 2 3W/6W Lens	300	1,570
95220	Slotlight Trimless Module 50 2x VENUS 2 3W/6W Lens	450	2,360



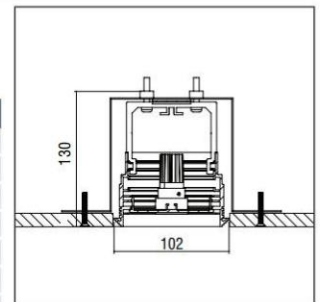
SLOTLIGHT TRIMLESS + Module 30



CE	F		IP 20
0°	0°		
LED	5	ta 25°C	Included

- Version for LED CHIP.
- Aluminium body.
- Lens in Spot, Medium, Wide or spot reflector selection.

Code	Description	L	Kg
95221	Slotlight Trimless Module 30 1x2W Lens	240	1,260
95222	Slotlight Trimless Module 30 2x2W Lens	320	1,680
95223	Slotlight Trimless Module 30 3x2W Lens	400	2,100
95224	Slotlight Trimless Module 30 1x2W Reflector	240	1,260
95225	Slotlight Trimless Module 30 2x2W Reflector	320	1,680
95226	Slotlight Trimless Module 30 3x2W Reflector	400	2,100

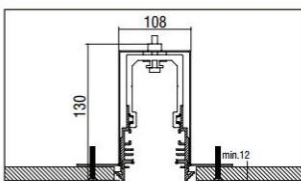


LED COLOUR CODES:
2 Warm 3 Neutral

BEAM CODES:
01 spot 02 medium 03 wide

Colour Codes:
0 Colours 1 White 2 Titan 3 Black

SLOTLIGHT TRIMLESS ACCESSORIES



CE			

- Metal suspension bracket.
- Required 1pc per 1m profile length.

Code	Description	Kg
900510	Suspension Bracket Slotlight Trimless	0,270

STREAMLIGHT TRIMLESS



The trimless version of STREAMLIGHT, with the diffuser position deeper from the ceiling level, gives the impression of an almost immaterial luminaire fully integrated to the ceiling. This architectural advantage, in combination with the perfect lighting conditions without annoying reflections, make the Trimless Streamlight suitable for many different working areas (offices, houses, entrance areas etc).

Uniformly illuminated lines with no dark shadows can be created thanks to the "tetris" installation of the T16 fluorescent lamps.

The LED version escapes the restrictions of the T16 fluorescent lamps, by using LED lighting points that can have any spacing pitch, and this gives the light line enormous flexibility. The visual benefit: The continuous-row system is illuminated absolutely uniformly from beginning to end, is economically efficient, maintenance free and it has long service-life.

Technical Features

- Housing from aluminium profile, painted electrostatically in selected colour.
- High efficient diffuser in opal PMMA.
- Flow recuperator in white colour.

Upon request

- Connection for operation with electronic dimmable ballast.

For LED Version

- Pure light without IR/UV radiation.
- Efficient thermal management.
- Up to 28W/m and 3864 Lm luminous flux range.
- Operation life: 50,000 hours with efficiency > 70% of the initial luminous flux.
- Connection for operation on 230V/50Hz.

Upon request:

Available with highest colour rendering index (CRI)

STREAMLIGHT TRIMLESS

STREAMLIGHT TRIMLESS TETRIS



CE F IP 43

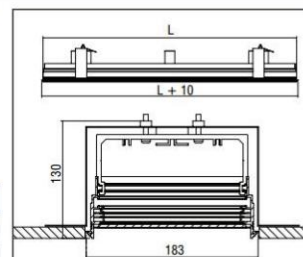
T16

OSRAM T5 PHILIPS T16

Included

- Version for T16.
- Aluminium body.
- High efficient diffuser in opal PMMA.
- Flow recuperator in white colour.
- Suspension brackets not included.

Code	Description	L	Kg
94437	Streamlight Trimless Tetris 2x13/14W T16	610	2,140
94439	Streamlight Trimless Tetris 2x20/24W T16	610	2,140
94441	Streamlight Trimless Tetris 2x19/21W T16	910	3,190
94443	Streamlight Trimless Tetris 2x34/39W T16	910	3,190
94445	Streamlight Trimless Tetris 2x25/28W T16	1210	4,240
94447	Streamlight Trimless Tetris 2x50/54W T16	1210	4,240
94449	Streamlight Trimless Tetris 2x32/35W T16	1510	5,290
94451	Streamlight Trimless Tetris 2x45/49W T16	1510	5,290
94453	Streamlight Trimless Tetris 2x73/80W T16	1510	5,290
94463	Streamlight Trimless Tetris 2+2x25/28W T16	2275	7,970
94465	Streamlight Trimless Tetris 2+2x50/54W T16	2275	7,970
94467	Streamlight Trimless Tetris 2+2x32/35W T16	2875	10,070
94469	Streamlight Trimless Tetris 2+2x45/49W T16	2875	10,070
94471	Streamlight Trimless Tetris 2+2x73/80W T16	2875	10,070



Hole

2x13/14W - 20/24W T16	189 x 616
2x19/21W - 34/39W T16	189 x 916
2x25/28W - 50/54W T16	189 x 1216
2x32/35W - 45/49W T16	189 x 1516
2x73/80W T16	189 x 1516
2+2x25/28W - 50/54W T16	189 x 2281
2+2x32/35W - 45/49W T16	189 x 2881
2+2x73/80W T16	189 x 2881

STREAMLIGHT TRIMLESS LED



CE F IP 43

LED

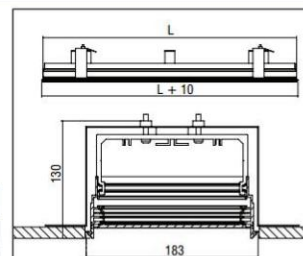
5000 HOURS

ta 25°C

Included

- Version for LED CHIP.
- Aluminium body.
- High efficient diffuser in opal PMMA.
- Flow recuperator in white colour.
- Suspension brackets not included.
- Efficiency: max.138 Lumen / Watt.

Code	Description	L	Kg
94473	Streamlight Trimless Led 16W 2200 lm Neutral	620	2,170
94474	Streamlight Trimless Led 33W 4400 lm Neutral	1180	4,130
94475	Streamlight Trimless Led 49W 6600 lm Neutral	1740	6,090
94476	Streamlight Trimless Led 65W 8800 lm Neutral	2300	8,050
94477	Streamlight Trimless Led 16W 2200 lm Warm	620	2,170
94478	Streamlight Trimless Led 33W 4400 lm Warm	1180	4,130
94479	Streamlight Trimless Led 49W 6600 lm Warm	1740	6,090
94480	Streamlight Trimless Led 65W 8800 lm Warm	2300	8,050



Hole

16W	189 x 626
33W	189 x 1186
49W	189 x 1746
65W	189 x 2306

Colour Codes:

- 0 Colours 1 White 2 Titan 3 Black