

HIGH SYSTEM FRAME



The unique anaglyph frame gives HIGH SYSTEM FRAME a strong architectural identity. This, in combination with the perfect lighting conditions without annoying reflections, make this luminaire suitable for many different working areas (offices, houses, entrance areas etc). Uniformly illuminated lines with no dark shadows can be created thanks to the Seamless version of T16 fluorescent lamps. The LED version escapes also the restrictions of the T16 fluorescent lamps, by using LED lighting points that can have any spacing pitch, and this gives the light line enormous flexibility. The visual benefit: The continuous-row system is illuminated absolutely uniformly from beginning to end, is economically efficient, maintenance free and it has long service-life.

Technical Features

- Housing from aluminium profile, painted electrostatically in selected colour.
- High efficient diffuser in opal PMMA.
- Flow recuperator in white colour.

Upon request

- Connection for operation with electronic dimmable ballast.

For LED Version

- Pure light without IR/UV radiation.
- Efficient thermal management.
- Up to 20W/m and 2000 Lm luminous flux range.
- Operation life: 50,000 hours with efficiency > 70% of the initial luminous flux.
- Connection for operation on 230V/50Hz.

Upon request:

Available with highest colour rendering index (CRI)

HIGH SYSTEM FRAME

HIGH SYSTEM FRAME



CE F IP 20 43

T16 SEAMLESS
CORIANE TO PHILIPS T16 CORIANE SEAMLESS

Included

- Version for T16 and T16 SEAMLESS.
- Aluminium body.
- High efficient diffuser in opal PMMA.
- Flow recuperator in white colour.
- Suspension and power supply not included.

Code	Description	L	Kg
98801	High System Frame 1x13/14W T16	620	1,480
98803	High System Frame 1x20/24W T16	620	1,480
98805	High System Frame 1x19/21W T16	920	2,200
98807	High System Frame 1x34/39W T16	920	2,200
98809	High System Frame 1x25/28W T16	1220	2,920
98811	High System Frame 1x50/54W T16	1220	2,920
98813	High System Frame 1x32/35W T16	1520	3,640
98815	High System Frame 1x45/49W T16	1520	3,640
98817	High System Frame 1x73/80W T16	1520	3,640
98837	High System Frame 1x14W SEAMLESS	620	1,480
98839	High System Frame 1x24W SEAMLESS	620	1,480
98841	High System Frame 1x21W SEAMLESS	920	2,200
98843	High System Frame 1x39W SEAMLESS	920	2,200
98845	High System Frame 1x28W SEAMLESS	1220	2,920
98847	High System Frame 1x54W SEAMLESS	1220	2,920
98853	High System Frame 1 + 1x21W SEAMLESS	1725	3,610
98855	High System Frame 1 + 1x39W SEAMLESS	1725	3,610
98857	High System Frame 1 + 1x28W SEAMLESS	2045	4,280
98859	High System Frame 1 + 1x54W SEAMLESS	2045	4,280

Hole

1x13/14W - 20/24W T16	63 x 614
1x19/21W - 34/39W T16	63 x 914
1x25/28W - 50/54W T16	63 x 1214
1x32/35W - 45/49W T16	63 x 1514
1x73/80W T16	63 x 1514
1x14 - 24W T16 SLS	63 x 614
1x21 - 39W T16 SLS	63 x 914
1x28 - 54W T16 SLS	63 x 1214
1 + 1x21W - 39W T16 SLS	63 x 1719
1 + 1x28W - 54W T16 SLS	63 x 2039

HIGH SYSTEM FRAME LED



CE F IP 20 43

LED 5 YEARS WARRANTY ta 25°C

Included

- Version for LED CHIP.
- Aluminium body.
- High efficient diffuser in opal PMMA.
- Flow recuperator in white colour.
- Suspension and power supply not included.
- Efficiency: 100 Lumen / Watt.

Code	Description	L	Kg
98873	High System Frame Led 12W 1200 lm Neutral	620	1,480
98874	High System Frame Led 18W 1800 lm Neutral	900	2,150
98875	High System Frame Led 24W 2400 lm Neutral	1180	2,820
98876	High System Frame Led 30W 3000 lm Neutral	1460	3,490
98877	High System Frame Led 12W 1200 lm Warm	620	1,480
98878	High System Frame Led 18W 1800 lm Warm	900	2,150
98879	High System Frame Led 24W 2400 lm Warm	1180	2,820
98880	High System Frame Led 30W 3000 lm Warm	1460	3,490

Hole

12W	63 x 614
18W	63 x 894
24W	63 x 1174
30W	63 x 1454

Colour Codes:

- 0 Colours 1 White 2 Titan 3 Black 5 matt Alum.

HIGH SYSTEM FRAME

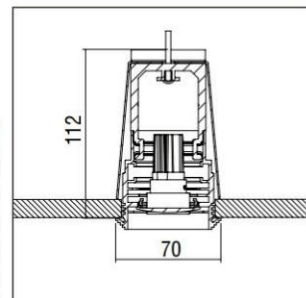
HIGH SYSTEM FRAME + Module 30



CE	F	IP 20
0°	0°	
LED	ta 25°C	Included

- Version for LED CHIP.
- Aluminium body.
- Lens in Spot, Medium, Wide or spot reflector selection.
- Efficiency: 107 Lumen / Watt.

Code	Description	L	Kg
98901	High System Frame Module 30 1x2W Lens	250	0,530
98902	High System Frame Module 30 2x2W Lens	330	0,700
98903	High System Frame Module 30 3x2W Lens	410	0,870
98904	High System Frame Module 30 1x2W Reflector	250	0,530
98905	High System Frame Module 30 2x2W Reflector	330	0,700
98906	High System Frame Module 30 3x2W Reflector	410	0,870



LED COLOUR CODES:

2 Warm 3 Neutral

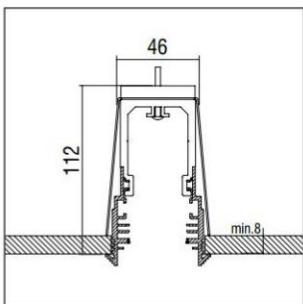
BEAM CODES:

01 spot 02 medium 03 wide

Colour Codes:

0 Colours 1 White 2 Titan 3 Black 5 matt Alum.

HIGH SYSTEM FRAME ACCESSORIES



CE		

- Metal suspension bracket.
- Required 1pc per 1m profile length.

Code	Description	Kg
900230	Suspension Bracket High System Frame	0,470

HIGH SYSTEM FRAME

