

STREAMLIGHT TRIMLESS

The trimless version of STREAMLIGHT, with the diffuser position deeper from the ceiling level, gives the impression of an almost immaterial luminaire fully integrated to the ceiling. This architectural advantage, in combination with the perfect lighting conditions without annoying reflections, make the Trimless Streamlight suitable for many different working areas (offices, houses, entrance areas etc).

Uniformly illuminated lines with no dark shadows can be created thanks to the "tetris" installation of the T16 fluorescent lamps.

The LED version escapes the restrictions of the T16 fluorescent lamps, by using LED lighting points that can have any spacing pitch, and this gives the light line enormous flexibility. The visual benefit: The continuous-row system is illuminated absolutely uniformly from beginning to end, is economically efficient, maintenance free and it has long service-life.

Technical Features

- Housing from aluminium profile, painted electrostatically in selected colour.
- High efficient diffuser in opal PMMA.
- Flow recuperator in white colour.

Upon request

- Connection for operation with electronic dimmable ballast.

For LED Version

- Pure light without IR/UV radiation.
- Efficient thermal management.
- Up to 28W/m and 3864 Lm luminous flux range.
- Operation life: 50,000 hours with efficiency > 70% of the initial luminous flux.
- Connection for operation on 230V/50Hz.

Upon request:

Available with highest colour rendering index (CRI)

STREAMLIGHT TRIMLESS

STREAMLIGHT TRIMLESS TETRIS



CE F IP 43

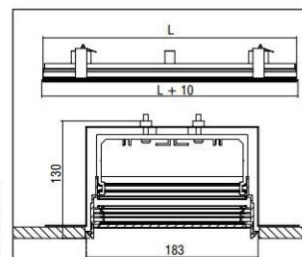
T16

OSRAM T5 PHILIPS T16

Included

- Version for T16.
- Aluminium body.
- High efficient diffuser in opal PMMA.
- Flow recuperator in white colour.
- Suspension brackets not included.

Code	Description	L	Kg
94437	Streamlight Trimless Tetris 2x13/14W T16	610	2,140
94439	Streamlight Trimless Tetris 2x20/24W T16	610	2,140
94441	Streamlight Trimless Tetris 2x19/21W T16	910	3,190
94443	Streamlight Trimless Tetris 2x34/39W T16	910	3,190
94445	Streamlight Trimless Tetris 2x25/28W T16	1210	4,240
94447	Streamlight Trimless Tetris 2x50/54W T16	1210	4,240
94449	Streamlight Trimless Tetris 2x32/35W T16	1510	5,290
94451	Streamlight Trimless Tetris 2x45/49W T16	1510	5,290
94453	Streamlight Trimless Tetris 2x73/80W T16	1510	5,290
94463	Streamlight Trimless Tetris 2+2x25/28W T16	2275	7,970
94465	Streamlight Trimless Tetris 2+2x50/54W T16	2275	7,970
94467	Streamlight Trimless Tetris 2+2x32/35W T16	2875	10,070
94469	Streamlight Trimless Tetris 2+2x45/49W T16	2875	10,070
94471	Streamlight Trimless Tetris 2+2x73/80W T16	2875	10,070



Hole

2x13/14W - 20/24W T16	189 x 616
2x19/21W - 34/39W T16	189 x 916
2x25/28W - 50/54W T16	189 x 1216
2x32/35W - 45/49W T16	189 x 1516
2x73/80W T16	189 x 1516
2+2x25/28W - 50/54W T16	189 x 2281
2+2x32/35W - 45/49W T16	189 x 2881
2+2x73/80W T16	189 x 2881

STREAMLIGHT TRIMLESS LED



CE F IP 43

LED

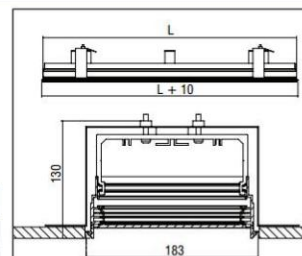
5000 HOURS

ta 25°C

Included

- Version for LED CHIP.
- Aluminium body.
- High efficient diffuser in opal PMMA.
- Flow recuperator in white colour.
- Suspension brackets not included.
- Efficiency: max.138 Lumen / Watt.

Code	Description	L	Kg
94473	Streamlight Trimless Led 16W 2200 lm Neutral	620	2,170
94474	Streamlight Trimless Led 33W 4400 lm Neutral	1180	4,130
94475	Streamlight Trimless Led 49W 6600 lm Neutral	1740	6,090
94476	Streamlight Trimless Led 65W 8800 lm Neutral	2300	8,050
94477	Streamlight Trimless Led 16W 2200 lm Warm	620	2,170
94478	Streamlight Trimless Led 33W 4400 lm Warm	1180	4,130
94479	Streamlight Trimless Led 49W 6600 lm Warm	1740	6,090
94480	Streamlight Trimless Led 65W 8800 lm Warm	2300	8,050



Hole

16W	189 x 626
33W	189 x 1186
49W	189 x 1746
65W	189 x 2306

Colour Codes:

- 0 Colours 1 White 2 Titan 3 Black

STREAMLIGHT TRIMLESS

STREAMLIGHT TRIMLESS ANAGLYPH



CE F IP 43

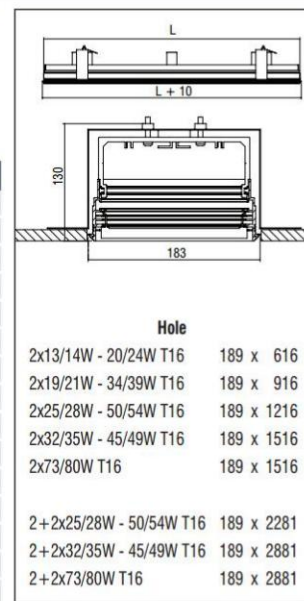
T16

OSRAM: T5 PHILIPS: T16

Included

- Version for T16.
- Aluminium body.
- Diffuser in opal of 10mm PMMA.
- Flow recuperator in white colour.
- Suspension brackets not included.

Code	Description	L	Kg
94537	Streamlight Trimless Anaglyph 2x13/14W T16	610	3,090
94539	Streamlight Trimless Anaglyph 2x20/24W T16	610	3,090
94541	Streamlight Trimless Anaglyph 2x19/21W T16	910	4,610
94543	Streamlight Trimless Anaglyph 2x34/39W T16	910	4,610
94545	Streamlight Trimless Anaglyph 2x25/28W T16	1210	6,130
94547	Streamlight Trimless Anaglyph 2x50/54W T16	1210	6,130
94549	Streamlight Trimless Anaglyph 2x32/35W T16	1510	7,640
94551	Streamlight Trimless Anaglyph 2x45/49W T16	1510	7,640
94553	Streamlight Trimless Anaglyph 2x73/80W T16	1510	7,640
94563	Streamlight Trimless Anaglyph 2+2x25/28W T16	2275	11,520
94565	Streamlight Trimless Anaglyph 2+2x50/54W T16	2275	11,520
94567	Streamlight Trimless Anaglyph 2+2x32/35W T16	2875	14,550
94569	Streamlight Trimless Anaglyph 2+2x45/49W T16	2875	14,550
94571	Streamlight Trimless Anaglyph 2+2x73/80W T16	2875	14,550



STREAMLIGHT TRIMLESS ANAGLYPH LED



CE F IP 43

LED

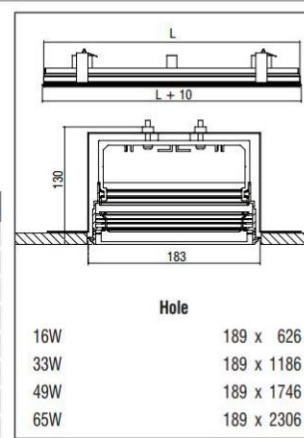
5 YEAR WARRANTY

ta 25°C

Included

- Version for LED CHIP.
- Aluminium body.
- Diffuser in opal of 10mm PMMA.
- Flow recuperator in white colour.
- Suspension brackets not included.
- Efficiency: max.138 Lumen / Watt.

Code	Description	L	Kg
94573	Streamlight Trimless Anaglyph Led 16W 2200 lm Neutral	620	3,140
94574	Streamlight Trimless Anaglyph Led 33W 4400 lm Neutral	1180	5,970
94575	Streamlight Trimless Anaglyph Led 49W 6600 lm Neutral	1740	8,810
94576	Streamlight Trimless Anaglyph Led 65W 8800 lm Neutral	2300	11,640
94577	Streamlight Trimless Anaglyph Led 16W 2200 lm Warm	620	3,140
94578	Streamlight Trimless Anaglyph Led 33W 4400 lm Warm	1180	5,970
94579	Streamlight Trimless Anaglyph Led 49W 6600 lm Warm	1740	8,810
94580	Streamlight Trimless Anaglyph Led 65W 8800 lm Warm	2300	11,640

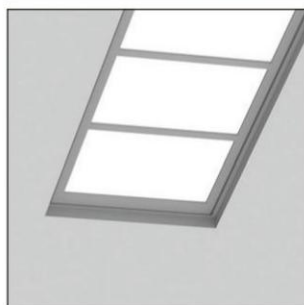


Colour Codes:

- 0 Colours 1 White 2 Titan 3 Black

STREAMLIGHT TRIMLESS

STREAMLIGHT TRIMLESS PLEXI OPAL CARRE



CE F IP 43

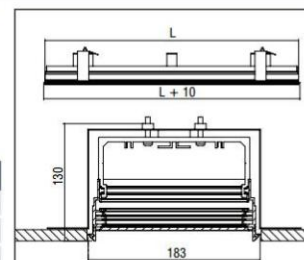
T16

OSRAM T5 PHILIPS T5

Included

- Version for T16.
- Aluminium body.
- High efficient diffuser in opal PMMA.
- Flow recuperator in white colour.
- Suspension brackets not included.

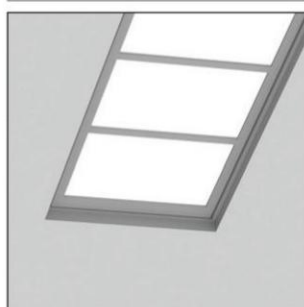
Code	Description	L	Kg
94737	Streamlight Trimless Plexi Opal Carré 2x13/14W T16	610	3,140
94739	Streamlight Trimless Plexi Opal Carré 2x20/24W T16	610	3,140
94741	Streamlight Trimless Plexi Opal Carré 2x19/21W T16	910	4,680
94743	Streamlight Trimless Plexi Opal Carré 2x34/39W T16	910	4,680
94745	Streamlight Trimless Plexi Opal Carré 2x25/28W T16	1210	6,220
94747	Streamlight Trimless Plexi Opal Carré 2x50/54W T16	1210	6,220
94749	Streamlight Trimless Plexi Opal Carré 2x32/35W T16	1510	7,800
94751	Streamlight Trimless Plexi Opal Carré 2x45/49W T16	1510	7,800
94753	Streamlight Trimless Plexi Opal Carré 2x73/80W T16	1510	7,800
94763	Streamlight Trimless Plexi Opal Carré 2+2x25/28W T16	2275	11,740
94765	Streamlight Trimless Plexi Opal Carré 2+2x50/54W T16	2275	11,740
94767	Streamlight Trimless Plexi Opal Carré 2+2x32/35W T16	2875	14,840
94769	Streamlight Trimless Plexi Opal Carré 2+2x45/49W T16	2875	14,840
94771	Streamlight Trimless Plexi Opal Carré 2+2x73/80W T16	2875	14,840



Hole

2x13/14W - 20/24W T16	189 x 616
2x19/21W - 34/39W T16	189 x 916
2x25/28W - 50/54W T16	189 x 1216
2x32/35W - 45/49W T16	189 x 1516
2x73/80W T16	189 x 1516
2+2x25/28W - 50/54W T16	189 x 2281
2+2x32/35W - 45/49W T16	189 x 2881
2+2x73/80W T16	189 x 2881

STREAMLIGHT TRIMLESS PLEXI OPAL CARRE LED



CE F IP 43

LED

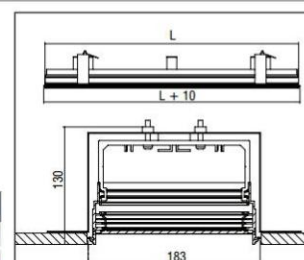
5 YEAR WARRANTY

ta 25°C

Included

- Version for LED CHIP.
- Aluminium body.
- High efficient diffuser in opal PMMA.
- Flow recuperator in white colour.
- Suspension brackets not included.
- Efficiency: max.138 Lumen / Watt.

Code	Description	L	Kg
94773	Streamlight Trimless Plexi Opal Carré Led 16W 2200 lm Neutral	620	3,200
94774	Streamlight Trimless Plexi Opal Carré Led 33W 4400 lm Neutral	1180	6,090
94775	Streamlight Trimless Plexi Opal Carré Led 49W 6600 lm Neutral	1740	8,980
94776	Streamlight Trimless Plexi Opal Carré Led 65W 8800 lm Neutral	2300	11,870
94777	Streamlight Trimless Plexi Opal Carré Led 16W 2200 lm Warm	620	3,200
94778	Streamlight Trimless Plexi Opal Carré Led 33W 4400 lm Warm	1180	6,090
94779	Streamlight Trimless Plexi Opal Carré Led 49W 6600 lm Warm	1740	8,980
94780	Streamlight Trimless Plexi Opal Carré Led 65W 8800 lm Warm	2300	11,870



Hole

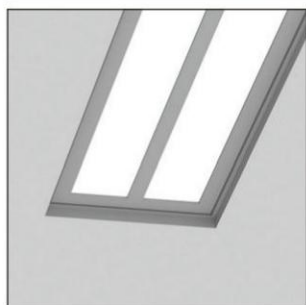
16W	189 x 626
33W	189 x 1186
49W	189 x 1746
65W	189 x 2306

Colour Codes:

- 0 Colours 1 White 2 Titan 3 Black

STREAMLIGHT TRIMLESS

STREAMLIGHT TRIMLESS PLEXI OPAL DOUBLE



CE	F	IP 43
T16		
OSRAM T5 PHILIPS T15		
		Included

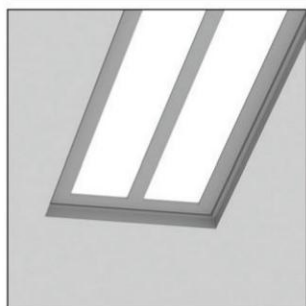
- Version for T16.
- Aluminium body.
- High efficient diffuser in opal PMMA.
- Flow recuperator in white colour.
- Suspension brackets not included.

Code	Description	L	Kg
94837	Streamlight Trimless Plexi Opal Double 2x13/14W T16	610	2,140
94839	Streamlight Trimless Plexi Opal Double 2x20/24W T16	610	2,140
94841	Streamlight Trimless Plexi Opal Double 2x19/21W T16	910	3,190
94843	Streamlight Trimless Plexi Opal Double 2x34/39W T16	910	3,190
94845	Streamlight Trimless Plexi Opal Double 2x25/28W T16	1210	4,240
94847	Streamlight Trimless Plexi Opal Double 2x50/54W T16	1210	4,240
94849	Streamlight Trimless Plexi Opal Double 2x32/35W T16	1510	5,290
94851	Streamlight Trimless Plexi Opal Double 2x45/49W T16	1510	5,290
94853	Streamlight Trimless Plexi Opal Double 2x73/80W T16	1510	5,290
94863	Streamlight Trimless Plexi Opal Double 2+2x25/28W T16	2275	7,970
94865	Streamlight Trimless Plexi Opal Double 2+2x50/54W T16	2275	7,970
94867	Streamlight Trimless Plexi Opal Double 2+2x32/35W T16	2875	10,070
94869	Streamlight Trimless Plexi Opal Double 2+2x45/49W T16	2875	10,070
94871	Streamlight Trimless Plexi Opal Double 2+2x73/80W T16	2875	10,070

Hole

2x13/14W - 20/24W T16	189 x 616
2x19/21W - 34/39W T16	189 x 916
2x25/28W - 50/54W T16	189 x 1216
2x32/35W - 45/49W T16	189 x 1516
2x73/80W T16	189 x 1516
2+2x25/28W - 50/54W T16	189 x 2281
2+2x32/35W - 45/49W T16	189 x 2881
2+2x73/80W T16	189 x 2881

STREAMLIGHT TRIMLESS PLEXI OPAL DOUBLE LED



CE	F	IP 43
LED	5 YEAR WARRANTY	ta 25°C
		Included

- Version for LED CHIP.
- Aluminium body.
- High efficient diffuser in opal PMMA.
- Flow recuperator in white colour.
- Suspension brackets not included.
- Efficiency: max.138 Lumen / Watt.

Code	Description	L	Kg
94873	Streamlight Trimless Plexi Opal Double Led 16W 2200 lm Neutral	620	2,170
94874	Streamlight Trimless Plexi Opal Double Led 33W 4400 lm Neutral	1180	4,130
94875	Streamlight Trimless Plexi Opal Double Led 49W 6600 lm Neutral	1740	6,090
94876	Streamlight Trimless Plexi Opal Double Led 65W 8800 lm Neutral	2300	8,050
94877	Streamlight Trimless Plexi Opal Double Led 16W 2200 lm Warm	620	2,170
94878	Streamlight Trimless Plexi Opal Double Led 33W 4400 lm Warm	1180	4,130
94879	Streamlight Trimless Plexi Opal Double Led 49W 6600 lm Warm	1740	6,090
94880	Streamlight Trimless Plexi Opal Double Led 65W 8800 lm Warm	2300	8,050

Hole

16W	189 x 626
33W	189 x 1186
49W	189 x 1746
65W	189 x 2306

Colour Codes:

- 0 Colours 1 White 2 Titan 3 Black

STREAMLIGHT TRIMLESS

STREAMLIGHT TRIMLESS LOUVRE



CE F IP 43

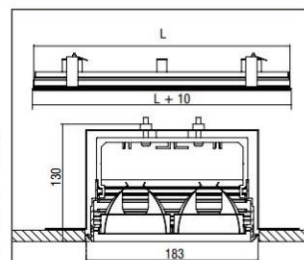
T16

CONFORM TO PHILIPPS T16

Included

- Version for T16.
- Aluminium body.
- Parabolic reflector in specular anodized aluminium.
- Suspension brackets not included.

Code	Description	L	Kg
94637	Streamlight Trimless Louvre 2x13/14W T16	610	2,100
94639	Streamlight Trimless Louvre 2x20/24W T16	610	2,100
94641	Streamlight Trimless Louvre 2x19/21W T16	910	3,140
94643	Streamlight Trimless Louvre 2x34/39W T16	910	3,140
94645	Streamlight Trimless Louvre 2x25/28W T16	1210	4,170
94647	Streamlight Trimless Louvre 2x50/54W T16	1210	4,170
94649	Streamlight Trimless Louvre 2x32/35W T16	1510	5,200
94651	Streamlight Trimless Louvre 2x45/49W T16	1510	5,200
94653	Streamlight Trimless Louvre 2x73/80W T16	1510	5,200
94663	Streamlight Trimless Louvre 2+2x25/28W T16	2386	7,830
94665	Streamlight Trimless Louvre 2+2x50/54W T16	2386	7,830
94667	Streamlight Trimless Louvre 2+2x32/35W T16	2986	9,890
94669	Streamlight Trimless Louvre 2+2x45/49W T16	2986	9,890
94671	Streamlight Trimless Louvre 2+2x73/80W T16	2986	9,890



Hole

2x13/14W - 20/24W T16	189 x 616
2x19/21W - 34/39W T16	189 x 916
2x25/28W - 50/54W T16	189 x 1216
2x32/35W - 45/49W T16	189 x 1516
2x73/80W T16	189 x 1516
2+2x25/28W - 50/54W T16	189 x 2392
2+2x32/35W - 45/49W T16	189 x 2992
2+2x73/80W T16	189 x 2992

Colour Codes:

- 0 Colours 1 White 2 Titan 3 Black



STREAMLIGHT TRIMLESS

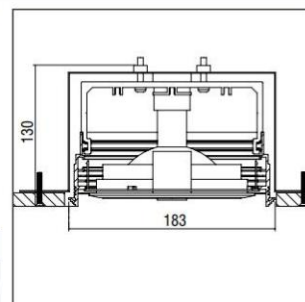
STREAMLIGHT TRIMLESS + Module 60 POSIDON HI-PAR 111



		850°C	IP 20

- Version for HI-PAR 111/GX8,5.
- Outer adjustable ring from die-cast aluminium.
- Inner ring for easy lamp replacement.

Code	Description	L	Kg
95315	Streamlight Trimless Module 60 POSIDON 35W HI-PAR 111/GX8,5	350	1,270
95316	Streamlight Trimless Module 60 POSIDON 70W HI-PAR 111/GX8,5	350	1,270



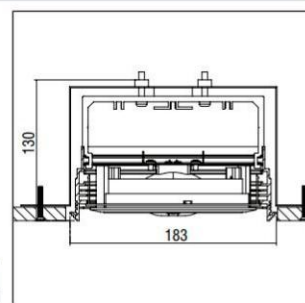
STREAMLIGHT TRIMLESS + Module 60 DIONISOS QR111



		850°C	IP 20

- Version for QR111/G53.
- Outer adjustable ring from die-cast aluminium.
- Inner ring for easy lamp replacement.

Code	Description	L	Kg
95317	Streamlight Trimless Module 60 DIONISOS max.70W QR111/G53	350	1,270



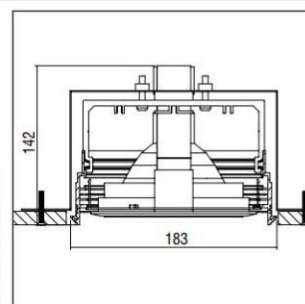
STREAMLIGHT TRIMLESS + Module 60 APOLLON HIT-CE



		850°C	IP 20

- Version for HIT-CE/G12.
- Outer adjustable ring from die-cast aluminium.
- Inner ring for easy lamp replacement.
- High pure aluminium reflectors in Spot, Medium, Wide.
- Tempered protection glass.

Code	Description	L	Kg
95319	Streamlight Trimless Module 60 APOLLON 35W HIT-CE/G12 S	350	1,270
95320	Streamlight Trimless Module 60 APOLLON 35W HIT-CE/G12 M	350	1,270
95321	Streamlight Trimless Module 60 APOLLON 35W HIT-CE/G12 W	350	1,270
95322	Streamlight Trimless Module 60 APOLLON 70W HIT-CE/G12 S	350	1,270
95323	Streamlight Trimless Module 60 APOLLON 70W HIT-CE/G12 M	350	1,270
95324	Streamlight Trimless Module 60 APOLLON 70W HIT-CE/G12 W	350	1,270



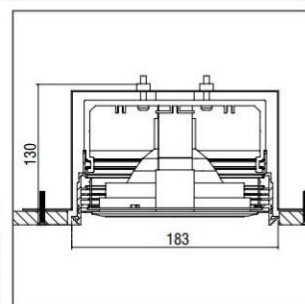
STREAMLIGHT TRIMLESS + Module 60 IFESTOS HIT-TC-CE



		850°C	IP 20

- Version for HIT-TC-CE/G8,5.
- Outer adjustable ring from die-cast aluminium.
- Inner ring for easy lamp replacement.
- High pure aluminium reflectors in Spot, Medium, Wide.
- Tempered protection glass.

Code	Description	L	Kg
95325	Streamlight Trimless Module 60 IFESTOS 35W HIT-TC-CE/G8,5 S	350	1,270
95326	Streamlight Trimless Module 60 IFESTOS 35W HIT-TC-CE/G8,5 M	350	1,270
95327	Streamlight Trimless Module 60 IFESTOS 35W HIT-TC-CE/G8,5 W	350	1,270
95328	Streamlight Trimless Module 60 IFESTOS 70W HIT-TC-CE/G8,5 S	350	1,270
95329	Streamlight Trimless Module 60 IFESTOS 70W HIT-TC-CE/G8,5 M	350	1,270
95330	Streamlight Trimless Module 60 IFESTOS 70W HIT-TC-CE/G8,5 W	350	1,270



STREAMLIGHT TRIMLESS

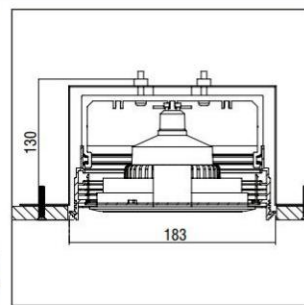
STREAMLIGHT TRIMLESS + Module 60 ARIS LED R111



CE	F	850°C	IP 20
70°	350°		
LED			

- Version for LED R111/GU10.
- Outer adjustable ring from die-cast aluminium.
- Inner ring for easy lamp replacement.
- Connection for 230V/50Hz.

Code	Description	L	Kg
95318	Streamlight Trimless Module 60 ARIS LED R111/GU10/230V	350	1,270



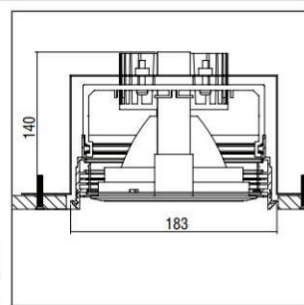
STREAMLIGHT TRIMLESS + Module 60 DIAS LED



CE	F	850°C	IP 20
70°	350°		
LED	5 YEAR WARRANTY	ta 25°C	Included

- Version with LED Module.
 - Outer adjustable ring from die-cast aluminium.
 - 22W power consumption driven at 500mA.
 - 30W power consumption driven at 700mA.
 - Efficiency:
- | | | |
|------|---------|--------------------------|
| 22W: | 4000 K: | 1800 Lumen, CRI: min. 75 |
| 22W: | 3000 K: | 1800 Lumen, CRI: min. 80 |
| 30W: | 4000 K: | 2830 Lumen, CRI: min. 75 |
| 30W: | 3000 K: | 2830 Lumen, CRI: min. 80 |
- Maximum: 95 Lm/W

Code	Description	L	Kg
95331	Streamlight Trimless Module 60 DIAS LED CHIP 22W	350	1,270
95332	Streamlight Trimless Module 60 DIAS LED CHIP 30W	350	1,270



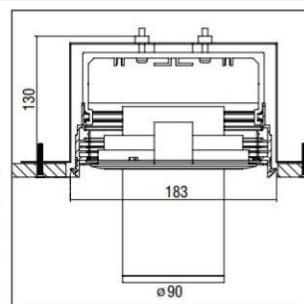
STREAMLIGHT TRIMLESS + Module 60 KRONOS HIT-TC-CE



CE	F	850°C	IP 20
60°	350°		
HIT-TC-CE/GU6,5			Included

- Version for HIT-TC-CE/GU6,5.
- Outer adjustable ring from die-cast aluminium.
- Die-cast aluminium spot inside.
- High pure aluminium reflectors in Spot, Medium, Wide.
- Tempered protection glass.

Code	Description	L	Kg
95333	Streamlight Trimless Module 60 KRONOS 20W HIT-TC-CE /GU6,5 S	350	1,170
95334	Streamlight Trimless Module 60 KRONOS 20W HIT-TC-CE /GU6,5 M	350	1,170
95335	Streamlight Trimless Module 60 KRONOS 20W HIT-TC-CE /GU6,5 W	350	1,170
95336	Streamlight Trimless Module 60 KRONOS 35W HIT-TC-CE /GU6,5 S	350	1,170
95337	Streamlight Trimless Module 60 KRONOS 35W HIT-TC-CE /GU6,5 M	350	1,170
95338	Streamlight Trimless Module 60 KRONOS 35W HIT-TC-CE /GU6,5 W	350	1,170



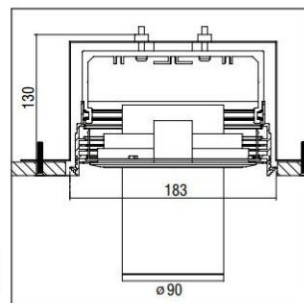
STREAMLIGHT TRIMLESS + Module 60 KRONOS LED



CE	F	850°C	IP 20
60°	350°		
LED	5 YEAR WARRANTY	ta 25°C	Included

- Version with LED Module.
 - Outer adjustable ring from die-cast aluminium.
 - Die-cast aluminium spot inside.
 - 22W power consumption driven at 500mA.
 - Efficiency:
- | | | |
|------|---------|--------------------------|
| 22W: | 4000 K: | 1800 Lumen, CRI: min. 75 |
| 22W: | 3000 K: | 1800 Lumen, CRI: min. 80 |
- Maximum: 95 Lm/W

Code	Description	L	Kg
95339	Streamlight Trimless Module 60 KRONOS LED CHIP 22W	350	1,170



STREAMLIGHT TRIMLESS

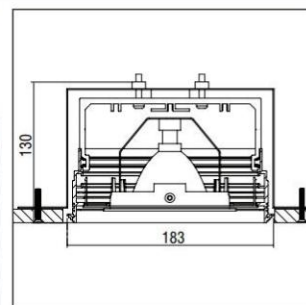
STREAMLIGHT TRIMLESS + Module 40 THETIS HIT-TC-CE



CE	F	IP 20	
60°	350°		
HIT-TC-CE/GU6,5			Included
GU6,5			

- Version for HIT-TC-CE/GU6,5.
- Reflector: Spot, Medium, Wide.
- Tempered protection glass.

Code	Description	L	Kg
95341	Streamlight Trimless Module 40 THETIS 20W HIT-TC-CE/GU6,5 S	350	1,270
95342	Streamlight Trimless Module 40 THETIS 20W HIT-TC-CE/GU6,5 M	350	1,270
95343	Streamlight Trimless Module 40 THETIS 20W HIT-TC-CE/GU6,5 W	350	1,270
95344	Streamlight Trimless 2x Module 40 THETIS 20W HIT-TC-CE/GU6,5 S	550	1,990
95345	Streamlight Trimless 2x Module 40 THETIS 20W HIT-TC-CE/GU6,5 M	550	1,990
95346	Streamlight Trimless 2x Module 40 THETIS 20W HIT-TC-CE/GU6,5 W	550	1,990
95347	Streamlight Trimless Module 40 THETIS 35W HIT-TC-CE/GU6,5 S	350	1,270
95348	Streamlight Trimless Module 40 THETIS 35W HIT-TC-CE/GU6,5 M	350	1,270
95349	Streamlight Trimless Module 40 THETIS 35W HIT-TC-CE/GU6,5 W	350	1,270
95350	Streamlight Trimless 2x Module 40 THETIS 35W HIT-TC-CE/GU6,5 S	550	1,990
95351	Streamlight Trimless 2x Module 40 THETIS 35W HIT-TC-CE/GU6,5 M	550	1,990
95352	Streamlight Trimless 2x Module 40 THETIS 35W HIT-TC-CE/GU6,5 W	550	1,990



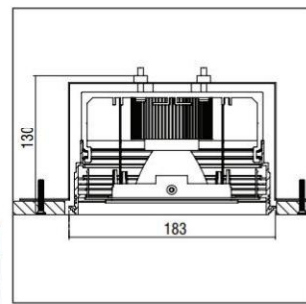
STREAMLIGHT TRIMLESS + Module 40 HERCULES LED REFLECTOR



CE	F	850°C	IP 20
60°	350°		
LED	ta 25°C		Included

- Reflectors: Spot, Medium, Wide.
 - 7W power consumption driven at 350mA.
 - 10,5W power consumption driven at 500mA.
 - Efficiency:
- | | | |
|--------|---------|------------------------------------|
| 7W: | 4000 K: | 810 Lumen, CRI: min. 80, 116 Lm/W |
| 7W: | 3000 K: | 720 Lumen, CRI: min. 80, 103 Lm/W |
| 10,5W: | 4000 K: | 1140 Lumen, CRI: min. 80, 109 Lm/W |
| 10,5W: | 3000 K: | 1000 Lumen, CRI: min. 80, 95 Lm/W |

Code	Description	L	Kg
95353	Streamlight Trimless Module 40 HERCULES LED REFLECTOR 7/10,5W	350	1,270
95354	Streamlight Trimless 2x Module 40 HERCULES LED REFLECTOR 7/10,5W	550	1,990



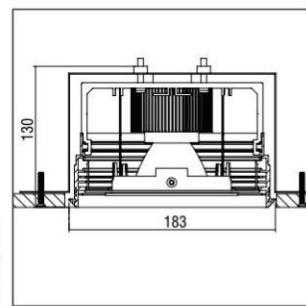
STREAMLIGHT TRIMLESS + Module 40 IASON LED REFLECTOR HO



CE	F	850°C	IP 20
60°	350°		
LED	ta 25°C		Included

- Reflectors: Spot, Medium, Wide.
 - 7W power consumption driven at 350mA.
 - 10,5W power consumption driven at 500mA.
 - Efficiency:
- | | | |
|--------|---------|------------------------------------|
| 7W: | 4000 K: | 810 Lumen, CRI: min. 80, 116 Lm/W |
| 7W: | 3000 K: | 720 Lumen, CRI: min. 80, 103 Lm/W |
| 10,5W: | 4000 K: | 1140 Lumen, CRI: min. 80, 109 Lm/W |
| 10,5W: | 3000 K: | 1000 Lumen, CRI: min. 80, 95 Lm/W |

Code	Description	L	Kg
95355	Streamlight Trimless Module 40 IASON LED REFLECTOR HO 7/10,5W	350	1,270
95356	Streamlight Trimless 2x Module 40 IASON LED REFLECTOR HO 7/10,5W	550	1,990



LED COLOUR CODES:

2 Warm 3 Neutral

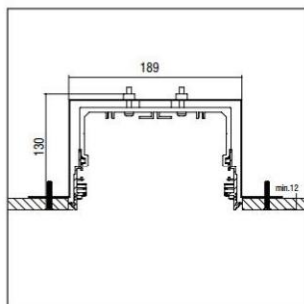
BEAM CODES:

01 spot 02 medium 03 wide 04 spot HO 05 medium HO 06 wide HO

Colour Codes:

0 Colours 1 White 2 Titan 3 Black

STREAMLIGHT TRIMLESS ACCESSORIES



CE			
----	--	--	--

- Metal suspension bracket.
- Required 1pc per 0,5m profile length.

Code	Description	Kg
900810	Suspension Bracket Streamlight Trimless	0,270