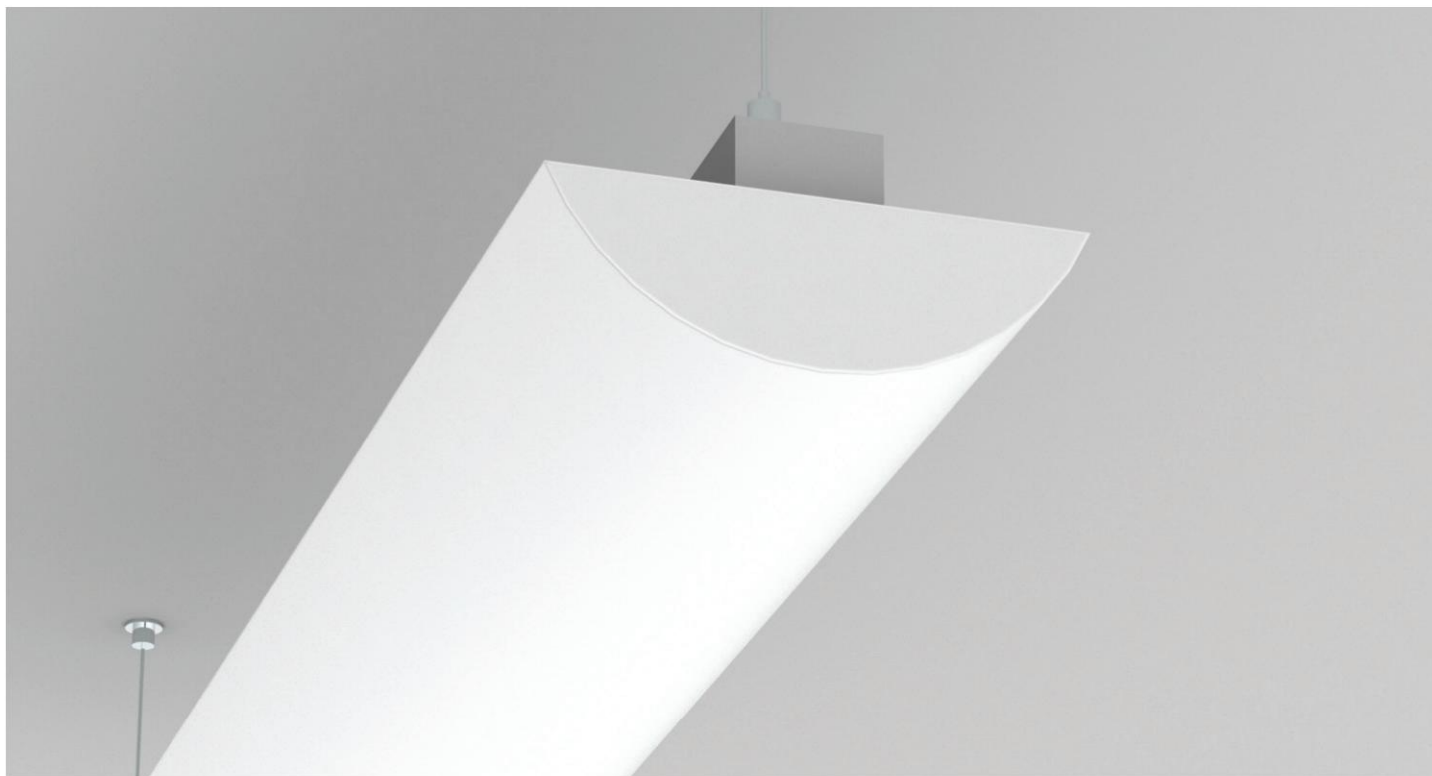


TOXON

This innovative pendant luminaire is perfect for areas that are meant to stand out. It's impressive curved shape and it's gentle lighting satisfy users' wishes for a productive sense of wellbeing.

Technical Features

- Steel base, painted electrostatically in titan colour.
- High efficient opal PMMA cover.
- Adjustable suspension consisting of stainless steel cable and regulators.
- Connection for operation on 230V-50/60Hz with electronic ballast.

Upon Request

- Connection for operation on 230V-50/60Hz with dimmer dali or 1-10VDC ballast.
- Connection for emergency lighting system.

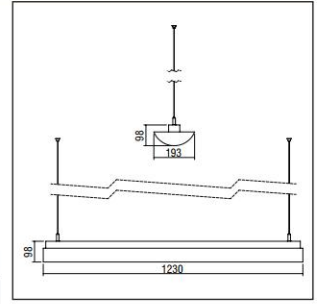
TOXON

TOXON



CE	F	⊕	IP 40
T16			
65			
		Included	

- Version for T16/G5.



Code	Description
827201	Toxon 2x54W



TOXON

