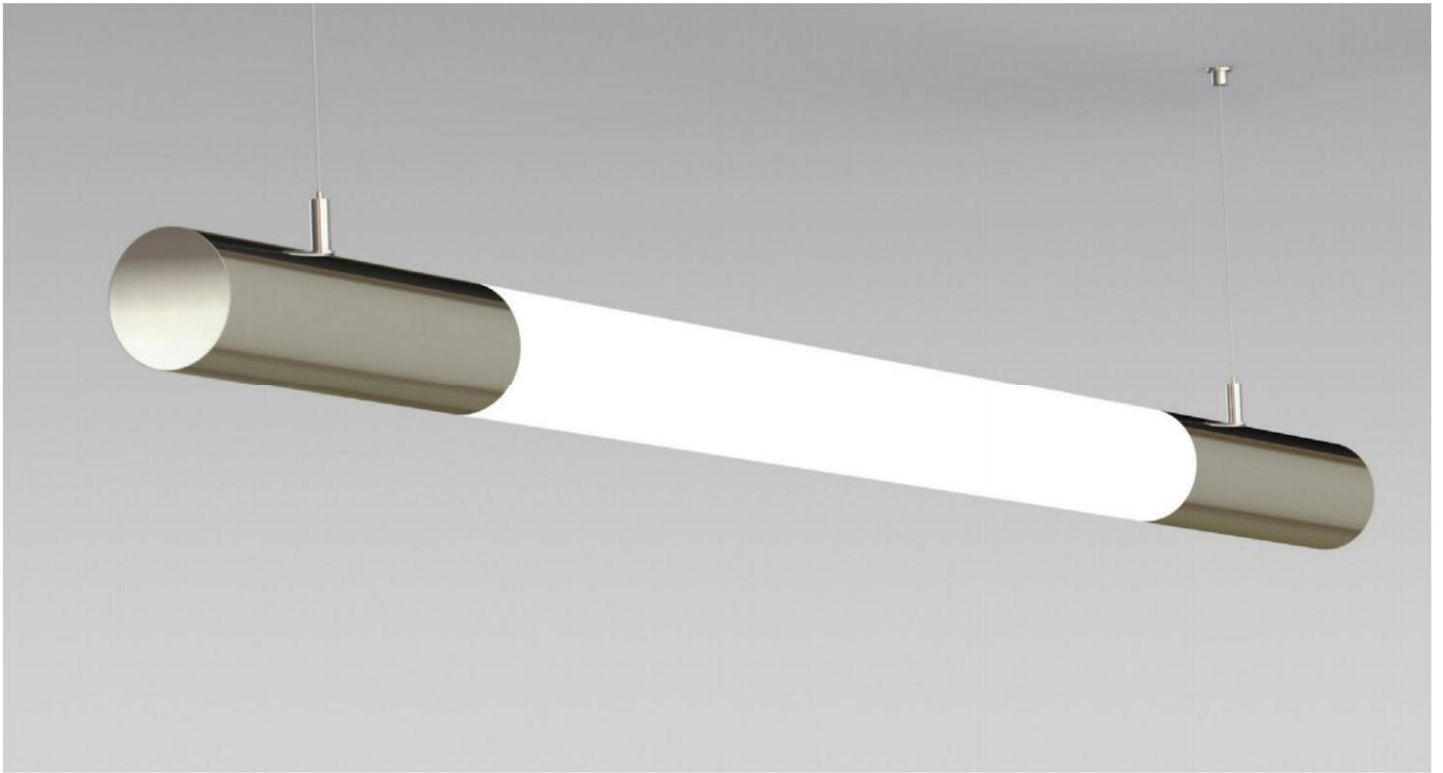


STILO



A linear suspended luminaire with impressive design. The luminaire unit is made of an opal diffuser and raises the architectural interest because it appears almost immaterial. It is ideal for applications where diffuse lighting must be combined an elegant shape.

Technical Features

- Body of plated aluminum profile.
- Opal PMMA diffuser.
- Adjustable suspension consisting of stainless steel cable and regulators.
- Connection for operation on 230V-50/60Hz with electronic ballast.

STILO

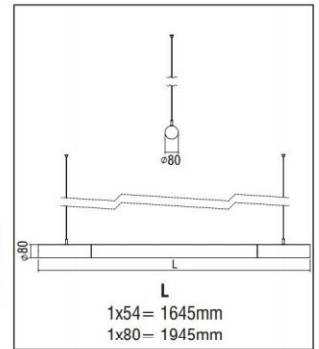
STILO



CE	F	⊕	IP 43
T16			
G5			
		Included	

- Version for T16/G5.
- Opal PMMA diffuser.
- Lamps included.

Code	Description
951024	Stilo 1x54W
951034	Stilo 1x80W



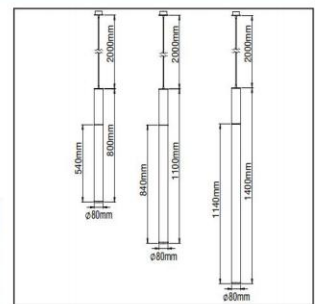
STILO VERTICAL



CE	F	⊕	IP 43
T16			
G5			
		Included	

- Version for T16/G5.
- Opal PMMA diffuser.
- Lamps included.

Code	Description
95120	Stilo Vertical 1x24W
95121	Stilo Vertical 1x39W
95122	Stilo Vertical 1x54W



Colour Codes:

- 0 Colours 1 White 2 Titan 3 Black 4 Chrome

