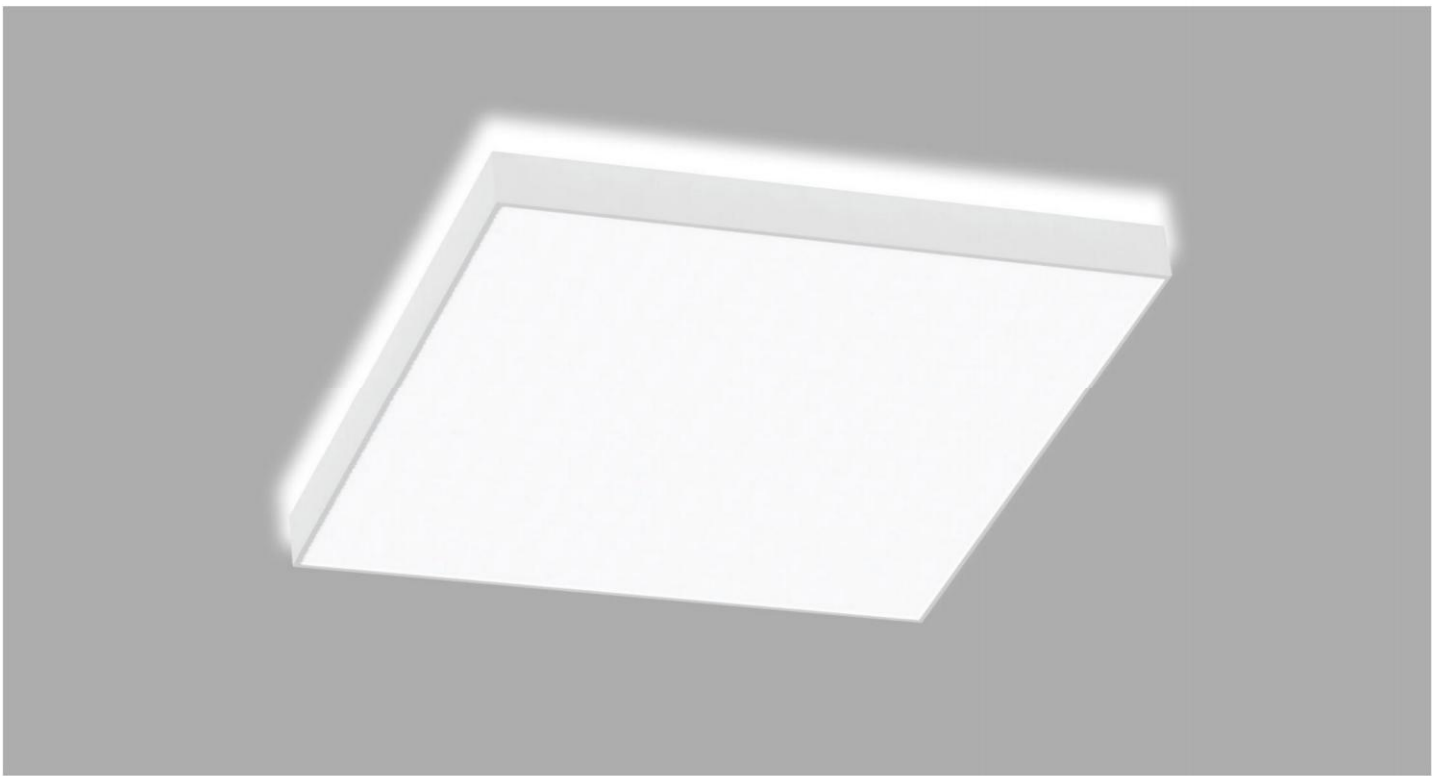


BOX

Box Avra combines stringent basic geometry with perfect contemporary style. Uniformly illuminated, without annoying reflections, it gives a strong architectural identity to various working areas (offices, stores, houses etc). It is available in five dimensions: 300, 400, 620, 920 and 1240mm, and it can be combined with QR111 module.

Technical Features

- Aluminium body, painted electrostatically in selected colour.
- Aluminium spot base, painted electrostatically in selected colour.
- Opal plexi glass cover (for BOX 300, 400, 640 editions).
- Cloth cover (for BOX AVRA 940, 1240).
- Connection for operation on 230V-50/60Hz (PAR 16) and with electronic ballast (lamps T16, T16-R).
- Connection for operation at 12V with electronic transformer (lamp QR111).

Upon Request

- Connection for operation on 230V-50/60Hz with dimmer dali or 1-10VDC ballast.

BOX

BOX AVRA 300

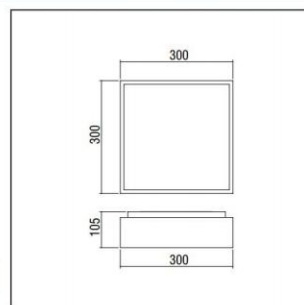


IP 20

Included

- Version for T16-R/2GX13.
- High efficient opal plexiglass cover.

Code	Description
8212271	Box Avra 300 1x22W



BOX AVRA 400

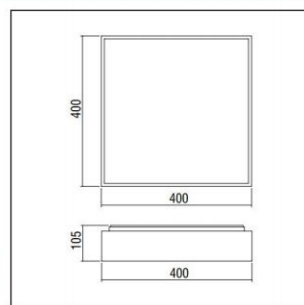


IP 20

Included

- Version for T16-R/2GX13.
- High efficient opal plexiglass cover.

Code	Description
8212291	Box Avra 400 1x55W



BOX AVRA 640

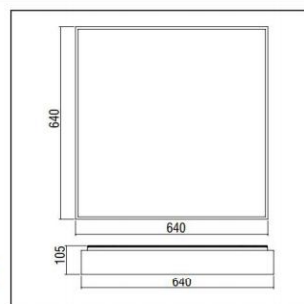


IP 20

Included

- Version for T16/G5.
- High efficient opal plexiglass cover.

Code	Description
8212141	Box Avra 640 6x24W



BOX AVRA 940

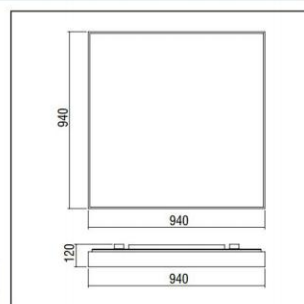


IP 20

Included

- Version for T16/G5.
- High efficient cloth cover.

Code	Description
8212311	Box Avra 940 8x39W



BOX AVRA 1240

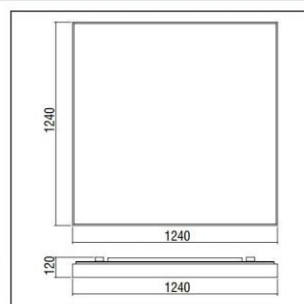


IP 20

Included

- Version for T16/G5.
- High efficient cloth cover.

Code	Description
8212481	Box Avra 1240 10x54W

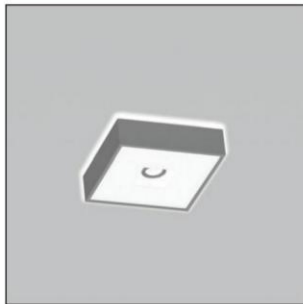


Colour Codes:

- 0 Colours
 1 White
 2 Titan
 3 Black

BOX

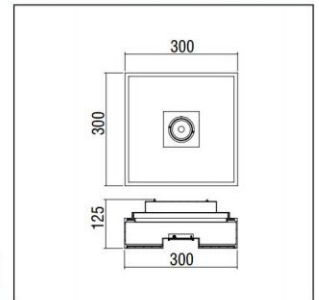
BOX MODULE 300



CE	F	⊕	IP 20
T16-R 2GX13	PAR 16 GU10		Included

- Version for T16-R/2GX13, PAR 16/GU10.
- High efficient opal plexiglass cover.
- Aluminium spot base, painted electrostatically in selected colour.

Code	Description
8211301	Box Module 300 1x22W + 1xGU10



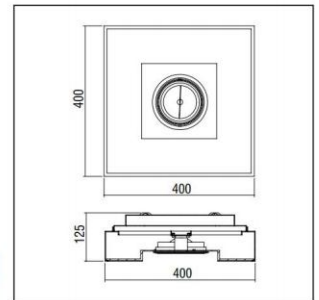
BOX MODULE 400



CE	F	⊕	IP 20
T16-R 2GX13	QR111 G53		Included

- Version for T16-R/2GX13, QR111/G53.
- High efficient opal plexiglass cover.
- Aluminium spot base, painted electrostatically in selected colour.

Code	Description
8211321	Box Module 400 1x55W + 1xQR111



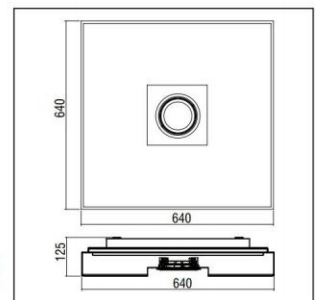
BOX MODULE 640



CE	F	⊕	IP 20
T16 G5	QR111 G53		Included

- Version for T16/G5, QR111/G53.
- High efficient opal plexiglass cover.
- Aluminium spot base, painted electrostatically in selected colour.

Code	Description
8211261	Box Module 640 4x24W + 1xQR111



Colour Codes:

- 0 Colours 1 White 2 Titan 3 Black

BOX

BOX AS 424



CE

IP 20

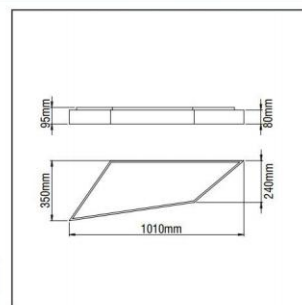
T16

G5

Included

- Version for T16/G5.
- High efficient opal plexiglass cover.

Code	Description
8214141	Box AS 424 4x24W T16



BOX AS 224



CE

IP 20

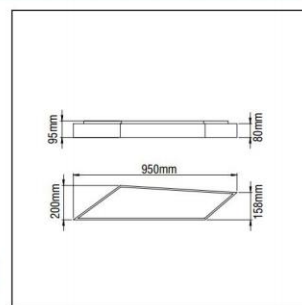
T16

G5

Included

- Version for T16/G5.
- High efficient opal plexiglass cover.

Code	Description
8214121	Box AS 224 2x24W T16



BOX AS 254



CE

IP 20

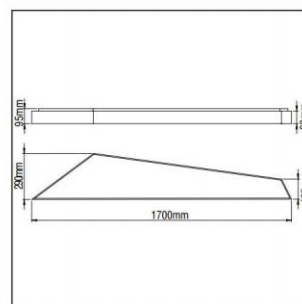
T16

G5

Included

- Version for T16/G5.
- High efficient opal plexiglass cover.

Code	Description
8214201	Box AS 254 2x54W T16



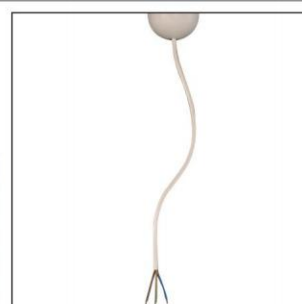
POWER SUPPLY



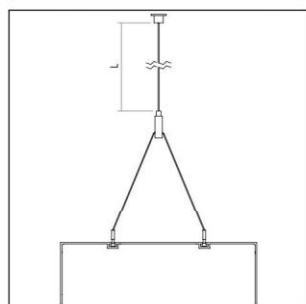
CE

- For pendant use.
- Plastic body.
- With transparent cable 3x0,75mm².
- Round version.

Code	Description	L
900121	Power Supply with Rosette Ø75	500
900122	Power Supply with Rosette Ø75	1000
900123	Power Supply with Rosette Ø75	1500
900124	Power Supply with Rosette Ø75	2000
900126	Power Supply with Rosette Ø75	3000



DOUBLE ADJUSTABLE SUSPENSION



CE

- Stainless steel cable and regulators.
- **Required:**
2 pieces for up to 3m profile.

Code	Description	L
900612	Double Suspension Streamlight	1000
900613	Double Suspension Streamlight	1500
900614	Double Suspension Streamlight	2000
900616	Double Suspension Streamlight	3000

Colour Codes:

- 0 Colours 1 White 2 Titan 3 Black