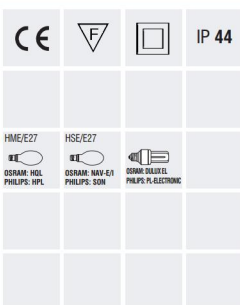


|                            | PAGE |
|----------------------------|------|
| ■ SFERA.....               | 156  |
| ■ URA.....                 | 158  |
| ■ DADO.....                | 158  |
| ■ TOP POLE.....            | 160  |
| ■ SPOT FLOOD AN / CN.....  | 160  |
| ■ TERRA (SMALL / BIG)..... | 160  |
| ■ SKAT.....                | 162  |
| ■ VEIL.....                | 168  |
| ■ PLEXI LINE BOLLARD.....  | 169  |

SFERA

SFERA ACRYLIC



- Base made of self extinguishing V2 polycarbonate in black colour.
- Acrylic diffuser (PMMA) available in the following colours: white, clear, smoked, frosted and prismatic. It has excellent resistance to the most difficult atmospheric conditions and it is resistant to ultraviolet radiation.
- Installation on Ø60mm poles.



| Description   | Diameter       | Without Control Gear Code | Conventional Control Gear & Capacitor Code |
|---|----------------|---------------------------|--|
| <b>For incandescent lamps or compact fluorescent lamps</b>      |                |                           |  |
| 200 Acrylic   | max.40W / E27  | 200                       | 74111                                      |
| 250 Acrylic   | max.60W / E27  | 250                       | 74121                                      |
| 300 Acrylic   | max.75W / E27  | 300                       | 74131                                      |
| 400 Acrylic   | max.100W / E27 | 400                       | 74151                                      |
| 500 Acrylic   | max.150W / E27 | 500                       | 74171                                      |
| <b>For high pressure mercury vapour lamps</b>                   |                |                           |  |
| 400 Acrylic white   | 80W HME / E27  | 400                       | 741532                                     |
| 400 Acrylic white   | 125W HME / E27 | 400                       | 741552                                     |
| <b>For high pressure sodium lamps (with integrated starter)</b> |                |                           |  |
| 400 Acrylic white   | 70W HSE / E27  | 400                       | 741572                                     |

Colour Codes:

- 1 Clear 2 White 3 Smoked 4 Frosted 5 Prismatic

SFERA POLYCARBONATE



- Base made of self extinguishing V2 polycarbonate in black colour.
- Polycarbonate diffuser available in the following colours: white, clear or smoked. Higher resistance material than other plastics, which is used when there is a high risk of vandalism.
- Installation on Ø60mm poles.



| Description   | Diameter       | Without Control Gear Code | Conventional Control Gear & Capacitor Code |
|---|----------------|---------------------------|--|
| <b>For incandescent lamps or compact fluorescent lamps</b>      |                |                           |  |
| 300 Polycarbonate   | max.75W / E27  | 300                       | 74141                                      |
| 400 Polycarbonate   | max.100W / E27 | 400                       | 74161                                      |
| 500 Polycarbonate   | max.150W / E27 | 500                       | 74181                                      |
| <b>For high pressure mercury vapour lamps</b>                   |                |                           |  |
| 400 Polycarbonate white   | 80W HME / E27  | 400                       | 741632                                     |
| 400 Polycarbonate white   | 125W HME / E27 | 400                       | 741652                                     |
| <b>For high pressure sodium lamps (with integrated starter)</b> |                |                           |  |
| 400 Polycarbonate white   | 70W HSE / E27  | 400                       | 741672                                     |

Colour Codes:

- 1 Clear 2 White 3 Smoked 4 Frosted 5 Prismatic

SFERA

SFERA ACRYLIC with aluminium base



|                            |                               |   |       |
|----------------------------|-------------------------------|---|-------|
| CE                         | F                             | □ | IP 44 |
| HME/E27                    | HSE/E27                       |   |       |
| OSRAM: HGL<br>PHILIPS: WPL | OSRAM: NAV-E1<br>PHILIPS: SON |   |       |

- Base made of die-cast aluminium.
- Acrylic diffuser (PMMA) in white colour. It has excellent resistance to the most difficult atmospherical conditions and it is resistant to ultraviolet radiation.
- Installation on Ø60mm poles.



| Code  | Description                      | Diameter |
|---|----------------------------------|----------|
| <b>For high pressure mercury vapour lamps</b>                   |                                  |          |
| 741542  | 400 Acrylic white 80W HME / E27  | 400      |
| 741562  | 400 Acrylic white 125W HME / E27 | 400      |
| <b>For high pressure sodium lamps (with integrated starter)</b> |                                  |          |
| 741582  | 400 Acrylic white 70W HSE / E27  | 400      |

SFERA POLYCARBONATE with aluminium base



|                            |                               |   |       |
|----------------------------|-------------------------------|---|-------|
| CE                         | F                             | □ | IP 44 |
| HME/E27                    | HSE/E27                       |   |       |
| OSRAM: HGL<br>PHILIPS: WPL | OSRAM: NAV-E1<br>PHILIPS: SON |   |       |

- Base made of die-cast aluminium.
- Polycarbonate diffuser in white colour. Higher resistance material than other plastics, which is used when there is a high risk of vandalism.
- Installation on Ø60mm poles.



| Code  | Description                            | Diameter |
|---|--|----------|
| <b>For high pressure mercury vapour lamps</b>                   |  |          |
| 741642  | 400 Polycarbonate white 80W HME / E27  | 400      |
| 741662  | 400 Polycarbonate white 125W HME / E27 | 400      |
| <b>For high pressure sodium lamps (with integrated starter)</b> |  |          |
| 741682  | 400 Polycarbonate white 70W HSE / E27  | 400      |





URA / DADO

URA



|                            |                               |   |       |
|----------------------------|-------------------------------|---|-------|
| CE                         | F                             | □ | IP 44 |
| HME/E27                    | HSE/E27                       |   |       |
| OSRAM: HGL<br>PHILIPS: HPL | OSRAM: NAV-E1<br>PHILIPS: SON |   |       |

- Base made of self extinguishing V2 polycarbonate in black colour.
- Acrylic diffuser (PMMA) available in the following colours: white, clear or smoked. It has excellent resistance to the most difficult atmospheric conditions and it is resistant to ultraviolet radiation.
- Installation on Ø60mm poles.



| Code   | Description        | Diameter |
|--|--------------------|----------|
| <i>For incandescent lamps or compact fluorescent lamps</i> |                    |          |
| 74431  | 300 max.75W / E27  | 300      |
| 74451  | 400 max.100W / E27 | 400      |

Colour Codes:

- 1 Clear 2 White 3 Smoked

DADO



|                            |                               |   |       |
|----------------------------|-------------------------------|---|-------|
| CE                         | F                             | □ | IP 44 |
| HME/E27                    | HSE/E27                       |   |       |
| OSRAM: HGL<br>PHILIPS: HPL | OSRAM: NAV-E1<br>PHILIPS: SON |   |       |

- Base made of self extinguishing V2 polycarbonate in black colour.
- Acrylic diffuser (PMMA) available in the following colours: white, clear or smoked. It has excellent resistance to the most difficult atmospheric conditions and it is resistant to ultraviolet radiation.
- Installation on Ø60mm poles.



| Code   | Description        | Diameter |
|--|--------------------|----------|
| <i>For incandescent lamps or compact fluorescent lamps</i> |                    |          |
| 74221  | 250 max.60W / E27  | 250      |
| 74231  | 300 max.75W / E27  | 300      |
| 74251  | 400 max.100W / E27 | 400      |

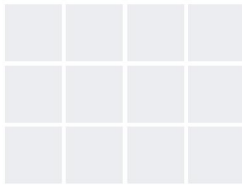
Colour Codes:

- 1 Clear 2 White 3 Smoked



SFERA / URA / DADO - ACCESSORIES

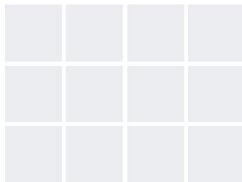
RIGO



- **Rigo** Ø60mm pole of strong decorative effect. High mechanical resistance made up of PVC covering in black colour, resistant to U.V. rays and corrosion high electrical insulation, co-extruded with internal steel core.

| Code   | Height    |
|--------|-----------|
| 704407 | max. 3000 |

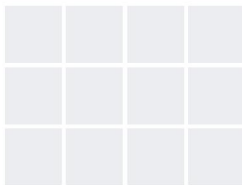
METALLIC POLE



- Ø60mm **metallic pole** with support base (in black colour).

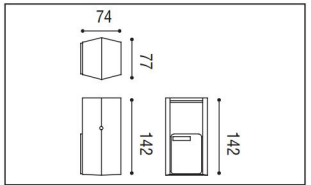
| Code   | Height |
|--------|--------|
| 704401 | 100    |
| 704402 | 200    |
| 704403 | 500    |
| 704404 | 700    |
| 704405 | 1000   |
| 704406 | 2000   |

COMET

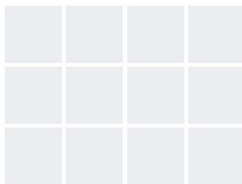


- 1 light or 2 light outdoor connector for pole Ø60mm fixing 1461.000N (in black colour)

| Code   |  |
|--------|--|
| 704301 |  |

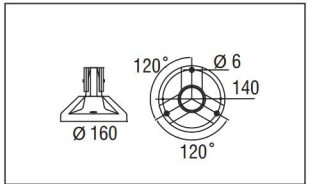


MISTRAL

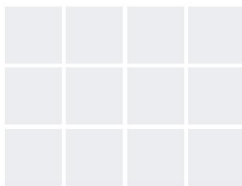


- Thermoplastic base for the installation of the Rigo pole on the ground. Max. pole height 1800mm. 1480.000N (in black colour).

| Code   |  |
|--------|--|
| 704302 |  |

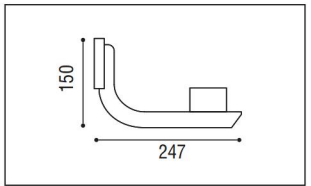


ISEO

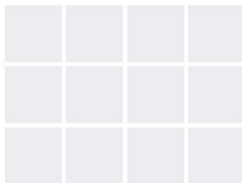


- Bracket for direct wall fixing of Ø60mm luminaires in reinforced thermoplastic body or on square pole 60x60mm, and on Ø60mm pole through COMET adaptor. 1000.900N (in black colour)

| Code   |  |
|--------|--|
| 704501 |  |

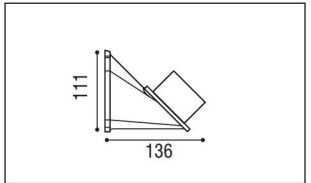


VICO

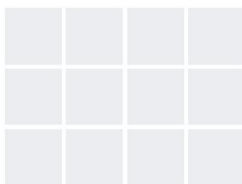


- Bracket for direct wall fixing of Ø60mm luminaires in polycarbonate body or on square pole 60x60mm, and on Ø60mm pole through COMET adaptor. 1000.150N (in black colour)

| Code   |  |
|--------|--|
| 704502 |  |

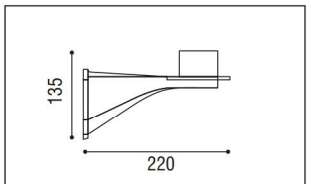


PALU



- Bracket for direct wall fixing of Ø60mm luminaires in polycarbonate body or on square pole 60x60mm, and on Ø60mm pole through COMET adaptor. 1000.500N (in black colour)

| Code   |  |
|--------|--|
| 704503 |  |



TOP POLE / SPOT FLOOD AN-CN / TERRA (SMALL-BIG)

TOP POLE



|                            |                               |                           |
|----------------------------|-------------------------------|---------------------------|
| CE                         | F                             | IP 44                     |
| HME                        | HSE                           | QB                        |
| OSRAM: HGL<br>PHILIPS: HPL | OSRAM: NAV-E1<br>PHILIPS: SON | OSRAM: HPL<br>PHILIPS: HL |

- Base made of die-cast aluminium, painted electrostatically in titan colour.
- Cover made of aluminium sheet, painted electrostatically in titan colour.
- Opal methacrylate lateral cover (bowl).
- Connection for operation on 230V/50Hz, with power factor correction capacitor.

| Description                                   | Ø   | HEIGHT | Without Control Gear Code | Conventional Control Gear & Capacitor Code |
|---|-----|--------|---------------------------|--|
| <b>For high pressure mercury vapour lamps</b> |     |        |                           |  |
| 331x 80W HME / E27500                         | 590 |        |                           | 731012                                     |
| 331x125W HME / E27                            | 500 | 590    |                           | 731022                                     |
| 331x250W HME / E40                            | 500 | 590    |                           | 731032                                     |
| <b>For high pressure sodium lamps</b>         |     |        |                           |  |
| 331x 70W HSE / E27                            | 500 | 590    |                           | 731072                                     |
| 331x150W HSE / E40                            | 500 | 590    |                           | 731092                                     |
| 331x251W HSE / E40                            | 590 | 690    |                           | 731102                                     |
| <b>For self ballasted lamp</b>                |     |        |                           |  |
| 331x160W QB / E27                             | 500 | 590    | 731120                    |  |

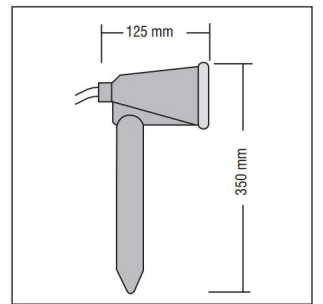
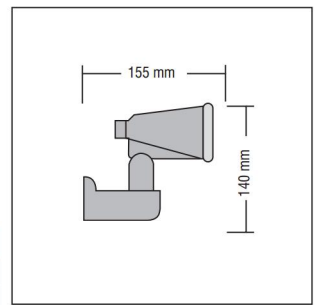
SPOT FLOOD AN / CN



|        |   |       |
|--------|---|-------|
| CE     | F | IP 54 |
| PAR 38 |   |       |
|        |   |       |

- Body made of die-cast aluminium, painted electrostatically in black colour.
- AN: Base made of thermoplastic material
- CN: Base made of galvanized steel

| Code   | Description   |
|--------|---------------|
| 841053 | SPOT FLOOD AN |
| 841063 | SPOT FLOOD CN |



TERRA (SMALL / BIG)



|        |        |       |
|--------|--------|-------|
| CE     | F      | IP 65 |
| PAR 16 | PAR 38 | LED   |
|        |        |       |

- Aluminium body painted electrostatically in atracite colour.
- Transparent tempered glass.
- Wall-mounting or direct ground installation with the use of a picket.
- Connection for operation on 230V.

| Code   | Description                                    |
|--------|--|
| 841092 | TERRA SMALL 1x50W PAR16 or 5W LED / GU10 33037 |
| 841102 | TERRA BIG 1 x max. 80W PAR38 / E27 33044       |

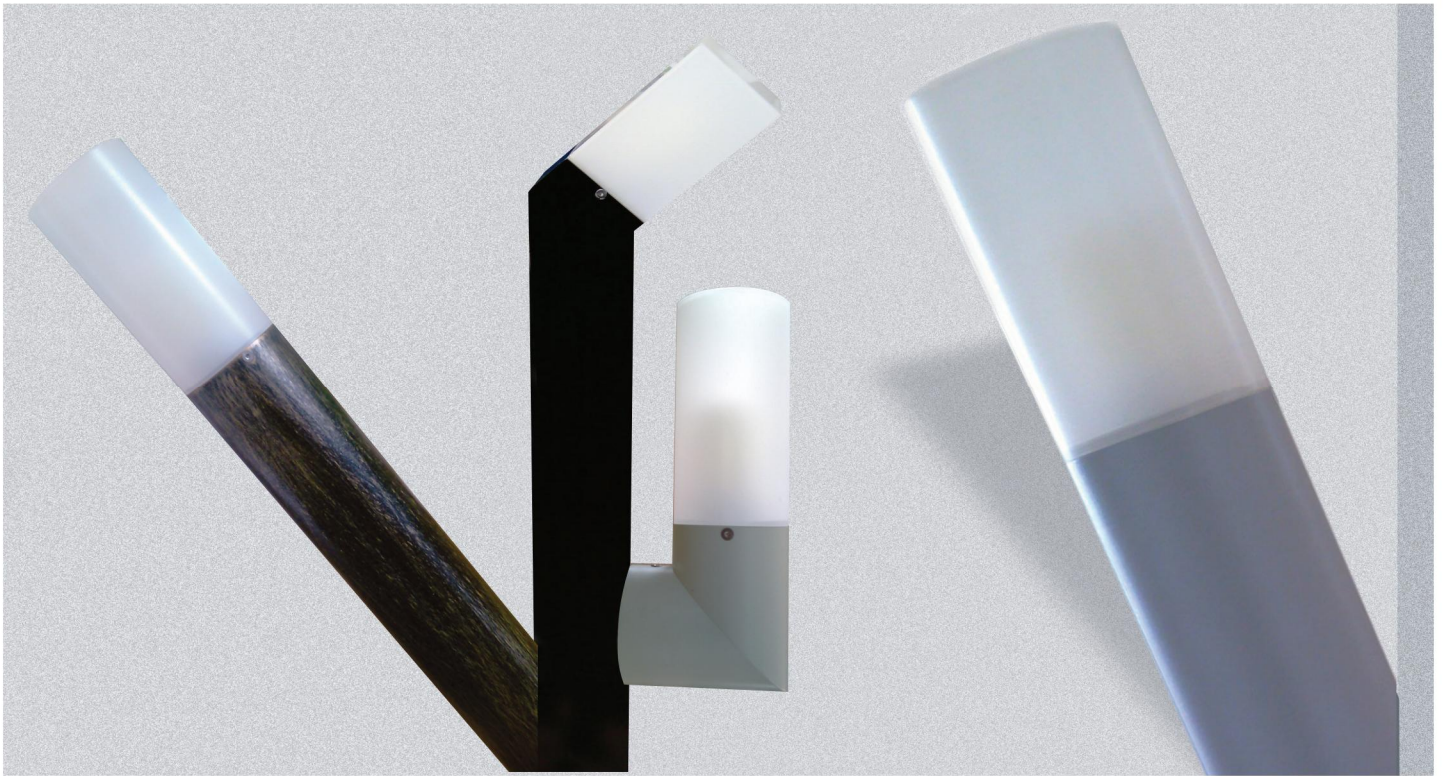








SKAT



Technical Features

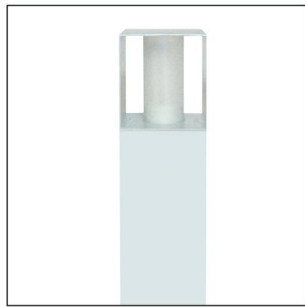
- Body made of aluminium profile
- Protection degree IP54 at the optical assembly.





SKAT

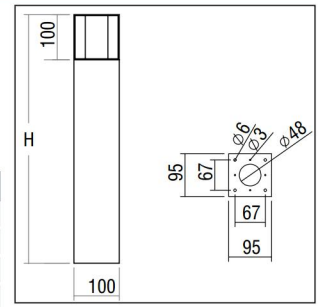
SKAT 1



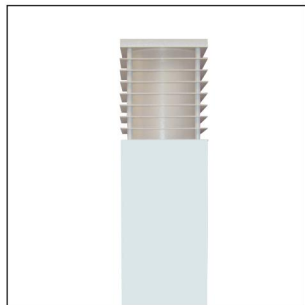
|    |   |       |
|----|---|-------|
| CE | F | IP 54 |
|    |   |       |
|    |   |       |
|    |   |       |
|    |   |       |
|    |   |       |

- Cylindrical diffuser made of acrylic satine.

| Code  | Description                          |
|-------|--------------------------------------|
| 84301 | Height 20cm 1x max.11W TC-TSE / E27  |
| 84302 | Height 35cm 1x max.11W TC-TSE / E27  |
| 84303 | Height 55cm 1x max.11W TC-TSE / E27  |
| 84304 | Height 100cm 1x max.11W TC-TSE / E27 |



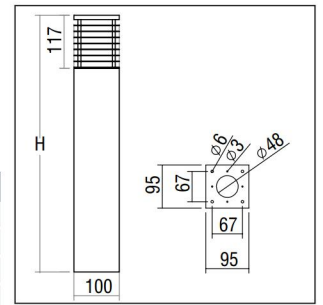
SKAT 2



|    |   |       |
|----|---|-------|
| CE | F | IP 54 |
|    |   |       |
|    |   |       |
|    |   |       |
|    |   |       |
|    |   |       |

- Cylindrical diffuser made of acrylic satine.  
- Aluminium blinds.

| Code  | Description                          |
|-------|--------------------------------------|
| 84311 | Height 20cm 1x max.11W TC-TSE / E27  |
| 84312 | Height 35cm 1x max.11W TC-TSE / E27  |
| 84313 | Height 55cm 1x max.11W TC-TSE / E27  |
| 84314 | Height 100cm 1x max.11W TC-TSE / E27 |



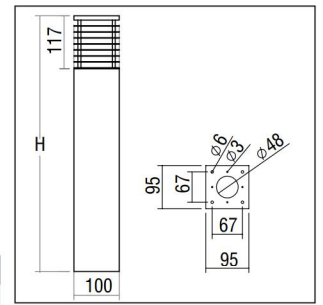
SKAT 3 Applique L



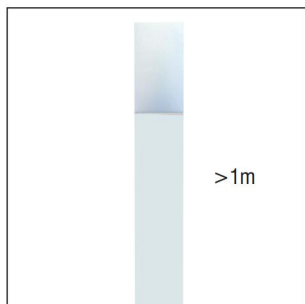
|    |   |       |
|----|---|-------|
| CE | F | IP 54 |
|    |   |       |
|    |   |       |
|    |   |       |
|    |   |       |
|    |   |       |

- Diffuser made of acrylic satine.

| Code  | Description                         |
|-------|-------------------------------------|
| 84330 | Height 26cm 1x max.14W TC-TSE / E27 |



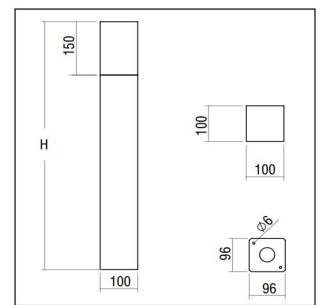
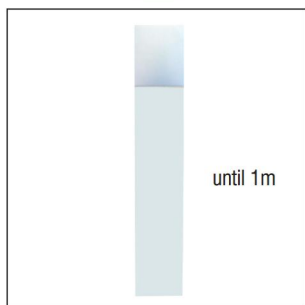
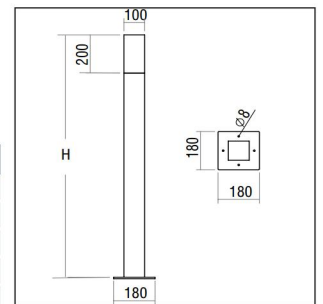
SKAT 3



|    |   |       |
|----|---|-------|
| CE | F | IP 54 |
|    |   |       |
|    |   |       |
|    |   |       |
|    |   |       |
|    |   |       |

- Diffuser made of acrylic satine

| Code  | Description                                       |
|-------|---|
| 84321 | Height H 35cm 1x max.14W TC-TSE / E27             |
| 84322 | Height H 45cm 1x max.14W TC-TSE / E27             |
| 84323 | Height H 70cm 1x max.14W TC-TSE / E27             |
| 84324 | Height H 100cm 1x max.14W TC-TSE / E27            |
| 84325 | Height H 164cm 1x max.18W TC-L / 2G11 (with base) |

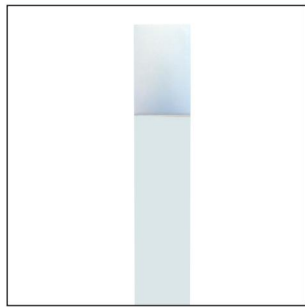


Colour Codes:

- 1 White
- 2 Titan
- 3 Black
- 8 Antique

SKAT

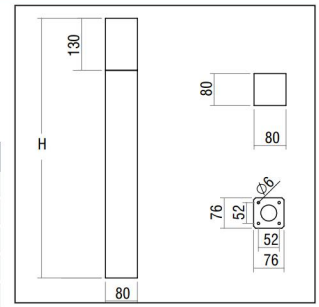
SKAT 4



|    |   |       |
|----|---|-------|
| CE | F | IP 54 |
|    |   |       |
|    |   |       |
|    |   |       |
|    |   |       |
|    |   |       |
|    |   |       |
|    |   |       |
|    |   |       |
|    |   |       |

- Diffuser made of acrylic satine.

| Code  | Description                                   |
|-------|---|
| 84331 | Height H 35cm 1x max.14W TC-TSE / E27         |
| 84332 | Height H 45cm 1x max.14W TC-TSE / E27         |
| 84333 | Height H 70cm 1x max.14W TC-TSE / E27         |
| 84334 | Height H 100cm 1x max.14W TC-TSE / E27        |
| 84335 | Height H 17cm ceiling 1x max.14W TC-TSE / E27 |



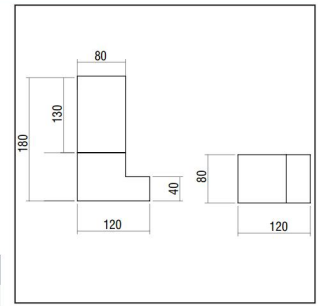
SKAT 4 Applique L



|    |   |       |
|----|---|-------|
| CE | F | IP 54 |
|    |   |       |
|    |   |       |
|    |   |       |
|    |   |       |
|    |   |       |
|    |   |       |
|    |   |       |
|    |   |       |
|    |   |       |

- Diffuser made of acrylic satine.

| Code  | Description                         |
|-------|-------------------------------------|
| 84340 | Height 26cm 1x max.14W TC-TSE / E27 |



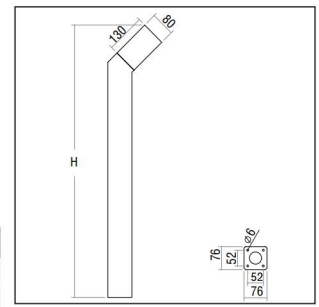
SKAT 5 Curved



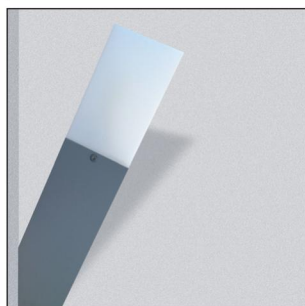
|    |   |       |
|----|---|-------|
| CE | F | IP 54 |
|    |   |       |
|    |   |       |
|    |   |       |
|    |   |       |
|    |   |       |
|    |   |       |
|    |   |       |
|    |   |       |
|    |   |       |

- Diffuser made of acrylic satine.

| Code  | Description                           |
|-------|---------------------------------------|
| 84341 | Height H 50cm 1x max.14W TC-TSE / E27 |
| 84342 | Height H 90cm 1x max.14W TC-TSE / E27 |



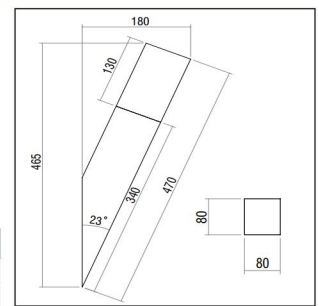
SKAT 5 Applique



|    |   |       |
|----|---|-------|
| CE | F | IP 54 |
|    |   |       |
|    |   |       |
|    |   |       |
|    |   |       |
|    |   |       |
|    |   |       |
|    |   |       |
|    |   |       |
|    |   |       |

- Diffuser made of acrylic satine.

| Code  | Description                           |
|-------|---------------------------------------|
| 84350 | Height 46,5cm 1x max.14W TC-TSE / E27 |



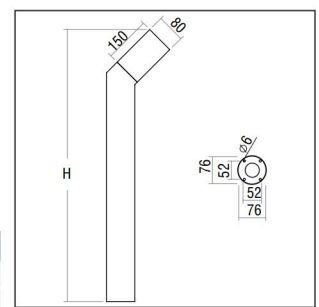
SKAT 6 Curved



|    |   |       |
|----|---|-------|
| CE | F | IP 54 |
|    |   |       |
|    |   |       |
|    |   |       |
|    |   |       |
|    |   |       |
|    |   |       |
|    |   |       |
|    |   |       |
|    |   |       |

- Diffuser made of acrylic satine.

| Code  | Description                           |
|-------|---------------------------------------|
| 84357 | Height H 50cm 1x max.14W TC-TSE / E27 |
| 84358 | Height H 90cm 1x max.14W TC-TSE / E27 |



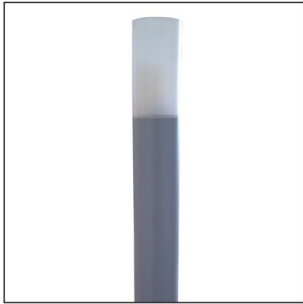
Colour Codes:

- 1 White
- 2 Titan
- 3 Black
- 8 Antique



SKAT

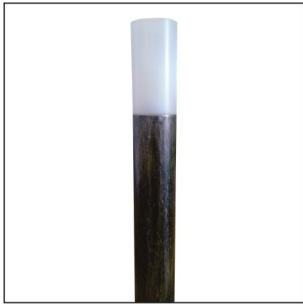
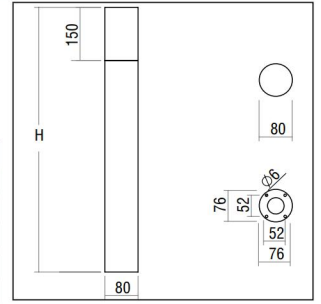
SKAT 6



|    |   |       |
|----|---|-------|
| CE | F | IP 54 |
|    |   |       |
|    |   |       |
|    |   |       |
|    |   |       |
|    |   |       |
|    |   |       |
|    |   |       |
|    |   |       |
|    |   |       |

- Diffuser made of acrylic satine.

| Code  | Description                                   |
|-------|---|
| 84351 | Height H 35cm 1x max.14W TC-TSE / E27         |
| 84352 | Height H 55cm 1x max.14W TC-TSE / E27         |
| 84353 | Height H 70cm 1x max.14W TC-TSE / E27         |
| 84354 | Height H 100cm 1x max.14W TC-TSE / E27        |
| 84355 | Height H 22cm ceiling 1x max.14W TC-TSE / E27 |



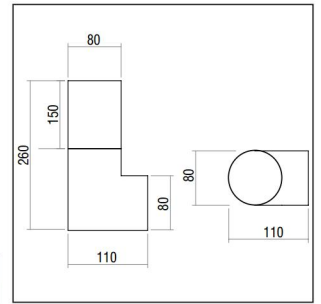
SKAT 6 Applique L



|    |   |       |
|----|---|-------|
| CE | F | IP 54 |
|    |   |       |
|    |   |       |
|    |   |       |
|    |   |       |
|    |   |       |
|    |   |       |
|    |   |       |
|    |   |       |
|    |   |       |

- Diffuser made of acrylic satine.

| Code  | Description                         |
|-------|-------------------------------------|
| 84359 | Height 26cm 1x max.14W TC-TSE / E27 |



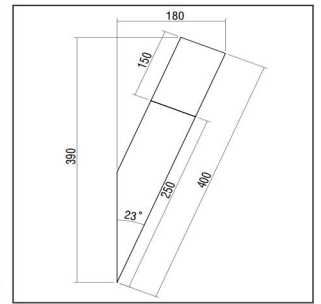
SKAT 6 Applique



|    |   |       |
|----|---|-------|
| CE | F | IP 54 |
|    |   |       |
|    |   |       |
|    |   |       |
|    |   |       |
|    |   |       |
|    |   |       |
|    |   |       |
|    |   |       |
|    |   |       |

- Diffuser made of acrylic satine.

| Code  | Description                         |
|-------|-------------------------------------|
| 84360 | Height 40cm 1x max.14W TC-TSE / E27 |



Colour Codes:

- 1 White
- 2 Titan
- 3 Black
- 8 Antique

SKAT ACCESSORY - PICKET

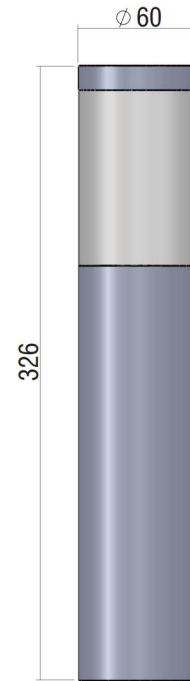


|  |  |  |
|--|--|--|
|  |  |  |
|  |  |  |
|  |  |  |
|  |  |  |
|  |  |  |
|  |  |  |
|  |  |  |
|  |  |  |
|  |  |  |
|  |  |  |

- Steel body  
- For ground installation.

| Code   | Description           |
|--------|-----------------------|
| 804304 | PICKET for SKAT 1 - 2 |
| 804301 | PICKET for SKAT 3     |
| 804302 | PICKET for SKAT 4 - 5 |
| 804303 | PICKET for SKAT 6     |

SKAT 7 - LED



Technical Features

- Body made of aluminium profile.
- Diffuser made of sandblasted methacrylate.
- Base for floor installation.
- Picket for ground installation

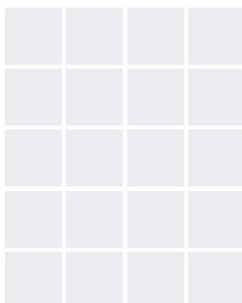
|      |   |   |       |
|------|---|---|-------|
| CE   | F | ⊕ | IP 66 |
| 230V |   |   |       |
| 2,6W |   |   |       |
| LED  |   |   |       |

| Code      | Description  |
|-----------|--|
| 84662262  | 1 LED x 2,6W (Integrated Control Gear) (N) Neutral |
| 846622620 | 1 LED x 2,6W (Integrated Control Gear) (N) Neutral |

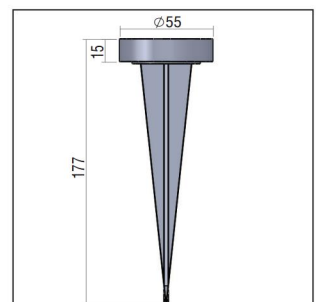
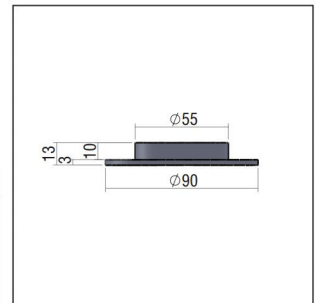
Colour Codes:

0 Colours 1 White 2 Titan

SKAT 7 ACCESSORIES

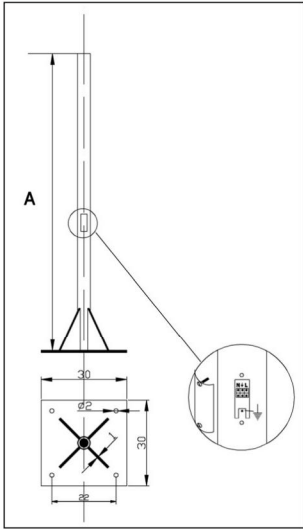


| Code   | Description                             | Colours |
|--------|---|---------|
| 804602 | Base SKAT 7 (for floor installation)    | White   |
| 804603 | Base SKAT 7 (for floor installation)    | Titan   |
| 804604 | Base SKAT 7 (for floor installation)    | Colours |
| 804601 | Picket SKAT 7 (for ground installation) | Titan   |



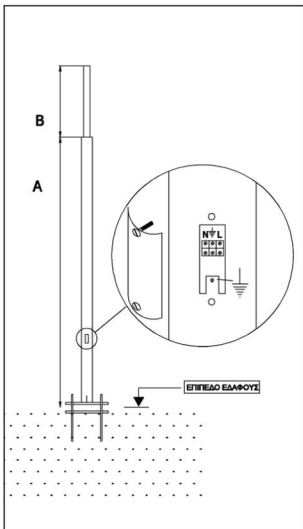
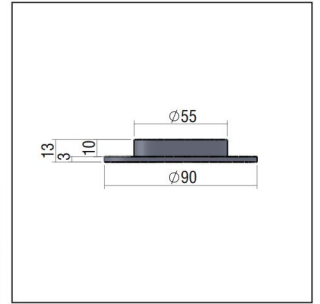


POLES



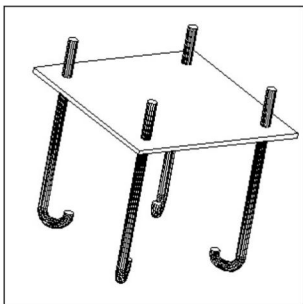
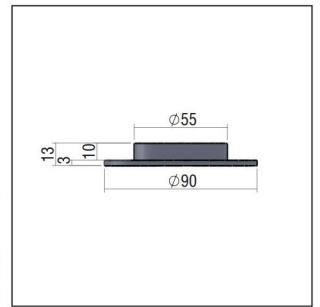
- Pole  $\varnothing 60\text{mm}$  with support base  $30 \times 30\text{cm}$  electrostatically painted. Inspection window with removable terminal block for quick connection.

| Code   | Description                    | Height A |
|--------|--------------------------------|----------|
| 704601 | POLE $\varnothing 60\text{mm}$ | 3000     |
| 704602 | POLE $\varnothing 60\text{mm}$ | 4000     |



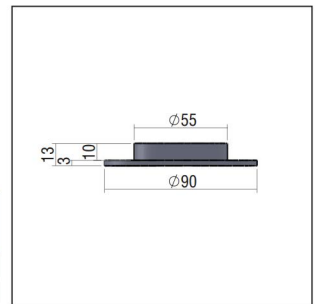
- Pole  $\varnothing 102\text{mm}$  with end  $\varnothing 60\text{mm}$ , with support base  $30 \times 30\text{cm}$  electrostatically painted. Inspection window with removable terminal block for quick connection.

| Code   | Description   | Height A B |
|--------|---|------------|
| 704606 | POLE $\varnothing 102\text{mm} - \varnothing 60\text{mm}$ | 3000+1000  |
| 704607 | POLE $\varnothing 102\text{mm} - \varnothing 60\text{mm}$ | 3000+2000  |

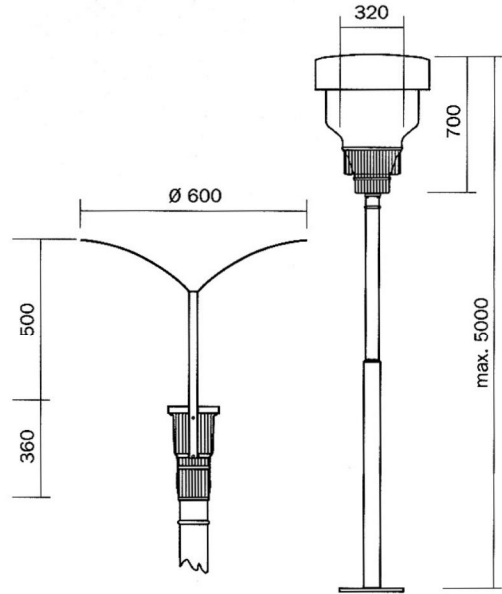


- Anchor Bolts.

| Code   | Description                          |
|--------|--------------------------------------|
| 704620 | ANCHOR BOLTS $30 \times 30\text{cm}$ |
| 704621 | ANCHOR BOLTS $40 \times 40\text{cm}$ |



VEIL



Technical Features

- Projector made of die-cast aluminium.
- Flow recuperator from curved-shape aluminium.

|  |  |  |       |
|--|--|--|-------|
|  |  |  | IP 65 |
| HIT-DE/RX7s-24   |  |  |       |
|  |  |  |       |
| <small>OSRAM HLD-TL HD-T3<br/>PHILIPS 84950-10</small> |  |  |       |

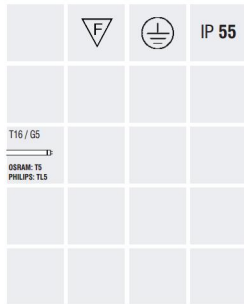
**Colour Codes:**

|          |       |          |       |          |       |
|----------|-------|----------|-------|----------|-------|
| <u>1</u> | White | <u>2</u> | Titan | <u>3</u> | Black |
|----------|-------|----------|-------|----------|-------|

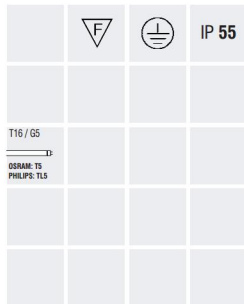
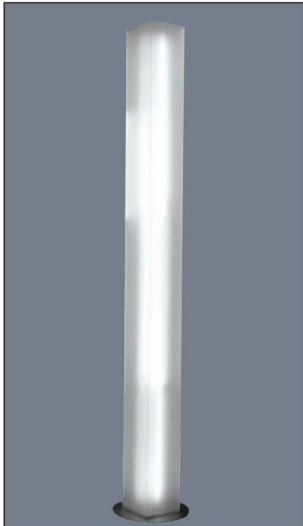
| Code  | Description                   |
|-------|-------------------------------|
| 84950 | 11106 1x150W HIT-DE / RX7s-24 |



PLEXI LINE BOLLARD



- Bollard **special construction** in Plexi opal glass with circular cross section diameter  $\varnothing 230\text{mm}$ .
- **Column height** up to 3m (depending of the lamp type).
- **Use of T16 lamps.**
- **On request:** succession of colours possible (**Active Light**).
- **Choice** of solid coloumn design in Plexi glass or with an apparent metal base painted in many different colours of our selection.



- Bollard **special construction** in Plexi opal glass with square cross section **260x260mm**.
- **Column height** up to 3m (depending of the lamp type).
- **Use of T16 lamps.**
- **On request:** succession of colours possible (**Active Light**).
- **Choice** of solid column design in Plexi glass or with an apparent metal base painted in many different colours of our selection.



