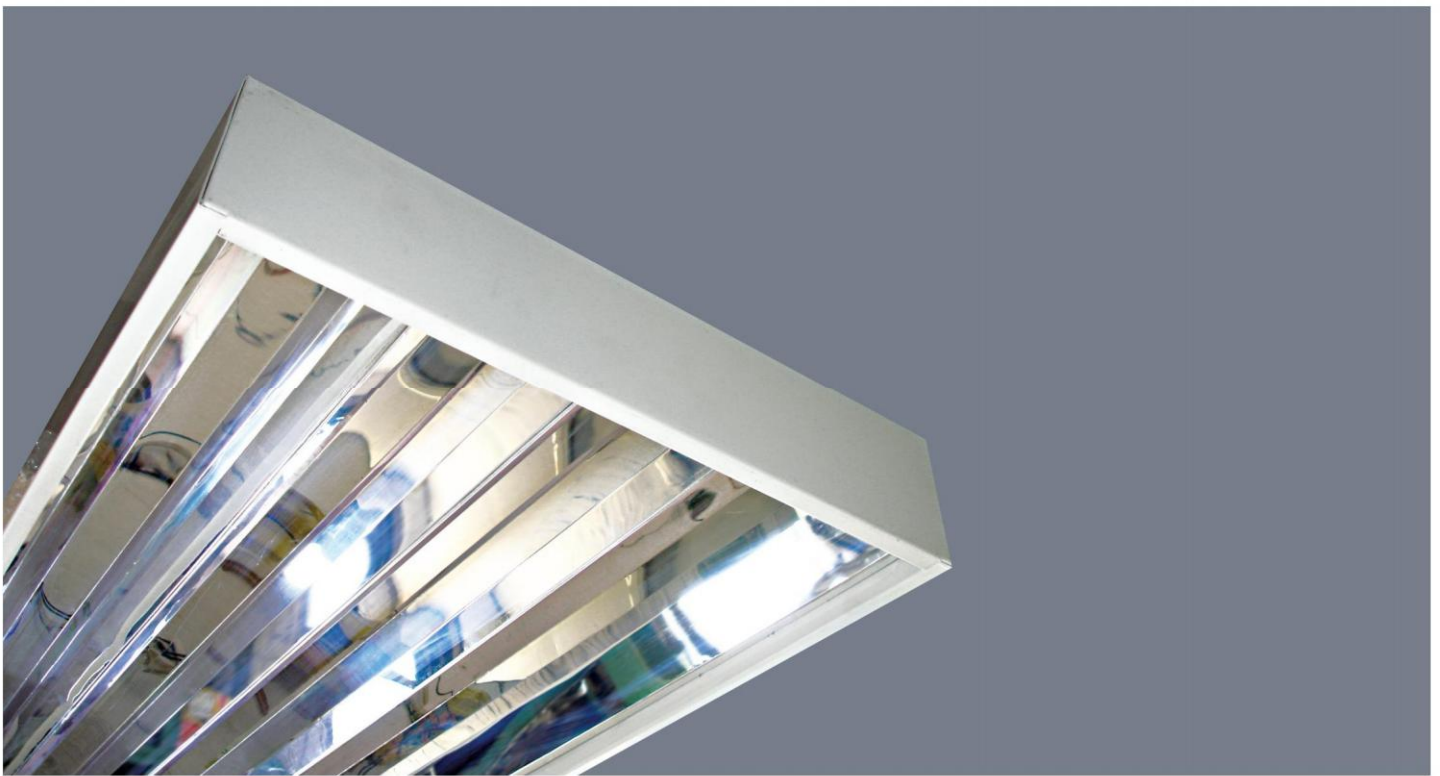


P 220 HB



Technical Features

- Luminaires for fluorescent T5 lamps or Led modules.
- Housing from steel powder-coated in white epoxy-polyester.
- Total flow recuperator with concentrated distribution from non-iridescent specular aluminium.
- Connection for operation on 230V-50/60Hz with electronic ballast.
- Connection for operation with electronic ballast dimmable.
- Connection for emergency lighting system.

For Led version

- Colour temperature 4000K.
- Colour rendering RA>80.
- Colour tolerance: 3 MacAdam steps.
- Life time: 50000h.

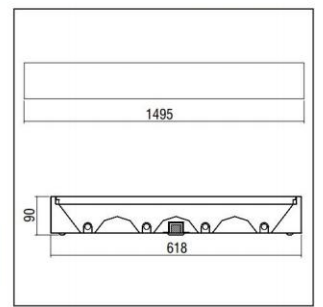
P 224 HB



CE	F	IP 20
T16 / G5		
OSRAM: T5 PHILIPS: T5		
E>80%		

- Flow recuperator with concentrated distribution, from non-iridescent specular aluminium.

Code	Description
271403	P 224x80W HB T5



P 223 HBLED



CE		IP 40 IP 54
LED	ta 25°C	
E>82%		

- Flow recuperator with concentrated distribution, from non-iridescent specular aluminium.
- High efficient transparent PMMA cover.
- Total Wattage: 132W.

Code	Description
271813	P 223x44W HB 18480Lm Neutral IP40
271823	P 223x44W HB 18480Lm Neutral IP54

