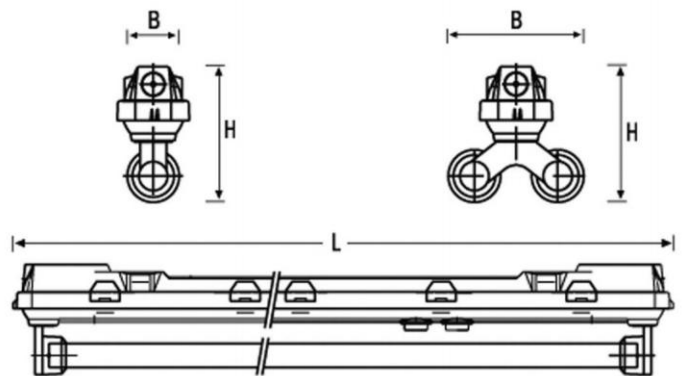
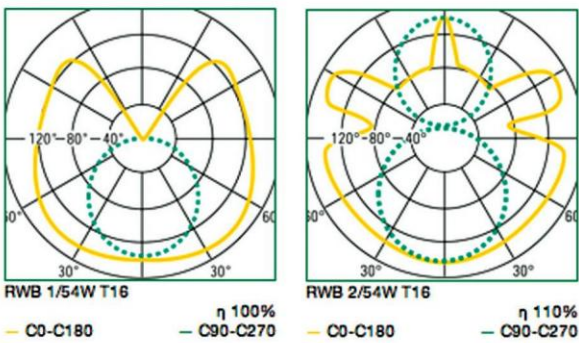


LUMINAIRES WITH EXTRA PROTECTION

MARKET RWB



Technical Features

- Luminaires for fluorescent lamps T26 & T16.
- Body and top in gray colour, made of hardly flammable glass fiber-reinforced polyester, resistant to corrosion and humidity.
- Anti-aging formed rubber gasket.
- Easy installation and maintenance of the luminaire.
- Connection for operation on 230V-50/60Hz with electronic ballast (lamps T26, T16).
- Connection for operation with electronic ballast dimmable (lamps T26, T16).



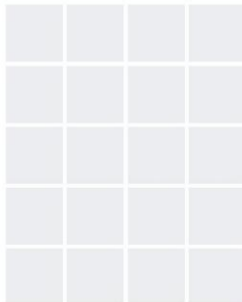
Description	Dimensions			Electronic Ballast Code
	B	L	H	
481x36W T26	66	1278	126	541113
481x58W T26	66	1578	126	541153
482x36W T26	126	1278	126	541123
482x58W T26	126	1578	126	541163
481x25/28W T16	66	1227	126	541233
481x50/54W T16	66	1227	126	541353
481x32/35W T16	66	1527	126	541253
481x45/49W T16	66	1527	126	541333
481x73/80W T16	66	1527	126	541393
482x25/28W T16	126	1227	126	541243
482x50/54W T16	126	1227	126	541363
482x32/35W T16	126	1527	126	541263
482x45/49W T16	126	1527	126	541343

Number of the luminaire's lamps: the third digit of the first number (at the description) corresponds to the number of lamps eg 481x36W = 1x36W.

LUMINAIRES WITH EXTRA PROTECTION

MARKET RWB

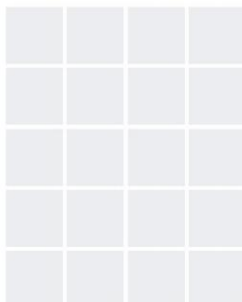
WHITE REFLECTOR



- Parabolic reflector made of white painted steel, for the distribution of the luminous flux.

Code	Description
504101	14ΣΜΛ for lum. 1x36W T26
504102	16ΣΜΛ for lum. 1x58W T26
504103	18ΣΜΛ for lum. 1x25/28-50/54W T16
504104	20ΣΜΛ for lum. 1x32/35-45/49-73/80W T16
504105	24ΣΜΛ for lum. 2x36W T26
504106	26ΣΜΛ for lum. 2x58W T26
504107	28ΣΜΛ for lum. 2x25/28-50/54W T16
504108	30ΣΜΛ for lum. 2x32/35-45/49-73/80W T16

WHITE REFLECTOR



- Transparent protection tube for the lamp with grip collar.

Code	Description
504202	TUB036 for lamp 36W T26
504203	TUB058 for lamp 58W T26
504204	TUB028 for lamp 25/28-50/54W T16
504205	TUB035 for lamp 32/35-45/49-73/80W T16