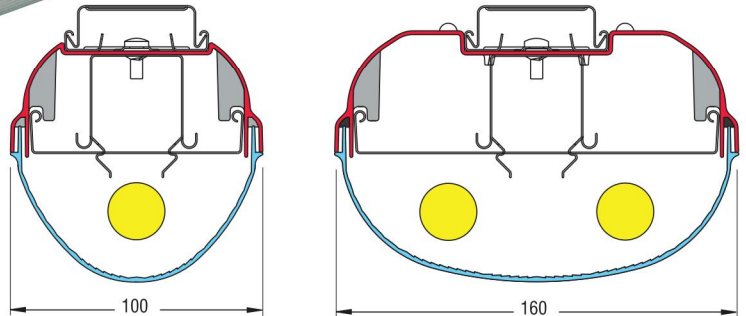


	PAGE
■ 3F LINDA	100
■ BETA i3F / A3F	112
■ MARKET RWB	120
■ CIRCLIGHT CL / SQUARELIGHT SQL	122
■ BETA	123
■ 3F CUB	124
■ P 220 HB	128

3F LINDA



- **High luminous efficiency**
- **Longer life** of the lamp and the ballast
- **Reduced internal temperature** of the components



CLEAN

Thanks to its special look, it is suitable even in civil and commercial environments. Cleaning is effective even without need to remove the diffuser.

COMPACT AND STURDY

Thanks to its characteristic egg shape, internal reinforcing structure, and polycarbonate's shatterproof feature.

SET OF THREE METAL BRACKETS SUPPLIED

Absolutely safe fastening by means of metal brackets, inside and outside the housing, that ensure optimum weight distribution, and sliding quick connection bracket which can be adjusted to suit the thermal expansion of the luminaire even in environments with a notable temperature range.

DIFFUSER

New technologies combined with new materials have allowed to decrease wall thickness, and hence increase lighting efficiency and flexibility which ensure a higher degree of sturdiness and shatterproof feature.

TAMPER-PROOF DIFFUSER OPENING

By means of screwdriver.

FLOW RECUPERATORS

It is possible to optimize lighting efficiency in work zones by means of flow recuperators.

LUMINAIRES WITH EXTRA PROTECTION

3F LINDA



3F LINDA - LED



Technical Features

- Luminaires compact linear Led modules.
- Ecologic anti-aging injected sealing gasket.
- Gear-tray reflector unit in hot-galvanized steel, painted in white polyester, fixed to the housing by means of steel rapid devices, hinged opening.
- Snug fit snap-lock clips in polycarbonate for diffuser mounting.
- Stainless steel fixing brackets.
- Connection for operation on 230V-50Hz.
- $Ra \geq 80$, 3000K, 4000K.
- Life time 50000h.
- Colour tolerance: 3 MacAdam steps.

Upon request

- Connection for operation with emergency unit.
- Connection for operation with dali version driver.

LUMINAIRES WITH EXTRA PROTECTION

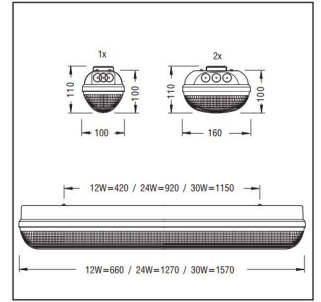
3F LINDA - LED

3F LINDA - LED



CE	F	IP 65
850° C	6,5 J	
LED		
E>86%		

- Diffuse lighting with symmetrical distribution.
- Self-extinguishing V2 polycarbonate housing, injection moulded, grey (RAL 7035).
- Ecologic anti-aging injected sealing gasket.
- Diffuser in self-extinguishing V2 polycarbonate, photo-engraved interior, UV stabilised, injection moulded, with smooth outer surface.
- Snug fit snap-lock clips in polycarbonate.



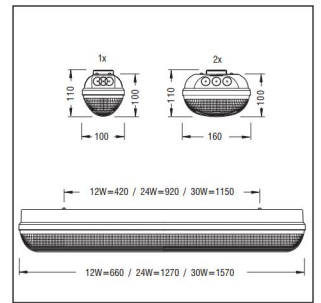
Description	Lumen	Code
3F Linda Led 1x12W	1480Lm Neutral	511813
3F Linda Led 1x24W	2960Lm Neutral	511833
3F Linda Led 1x30W	3700Lm Neutral	511853
3F Linda Led 2x12W	2960Lm Neutral	511873
3F Linda Led 2x24W	5920Lm Neutral	511893
3F Linda Led 2x30W	7400Lm Neutral	511913
3F Linda Led 1x12W	1440Lm Warm	511823
3F Linda Led 1x24W	2880Lm Warm	511843
3F Linda Led 1x30W	3600Lm Warm	511863
3F Linda Led 2x12W	2880Lm Warm	511883
3F Linda Led 2x24W	5760Lm Warm	511903
3F Linda Led 2x30W	7200Lm Warm	511923

3F LINDA INOX - LED



CE	F	IP 65
850° C	6,5 J	
LED		
E>86%		

- Diffuse lighting with symmetrical distribution.
- Self-extinguishing V2 polycarbonate housing, injection moulded, grey (RAL 7035).
- Ecologic anti-aging injected sealing gasket.
- Diffuser in self-extinguishing V2 polycarbonate, photo-engraved interior, UV stabilised, injection moulded, with smooth outer surface.
- Snug fit snap-lock clips in stainless steel for diffuser mounting, tamper-proof opening.



Description	Lumen	Code
3F Linda Inox Led 1x12W	1480Lm Neutral	512813
3F Linda Inox Led 1x24W	2960Lm Neutral	512833
3F Linda Inox Led 1x30W	3700Lm Neutral	512853
3F Linda Inox Led 2x12W	2960Lm Neutral	512873
3F Linda Inox Led 2x24W	5920Lm Neutral	512893
3F Linda Inox Led 2x30W	7400Lm Neutral	512913
3F Linda Inox Led 1x12W	1440Lm Warm	512823
3F Linda Inox Led 1x24W	2880Lm Warm	512843
3F Linda Inox Led 1x30W	3600Lm Warm	512863
3F Linda Inox Led 2x12W	2880Lm Warm	512883
3F Linda Inox Led 2x24W	5760Lm Warm	512903
3F Linda Inox Led 2x30W	7200Lm Warm	512923

3F LINDA



Technical Features

- Luminaires for fluorescent lamps T26, T16 and compact TC-S (G23), TC-SEL (2G7).
- Ecologic anti-aging injected sealing gasket.
- Gear-tray reflector unit in hot-galvanized steel, painted in white polyester, fixed to the housing by means of steel rapid devices, hinged opening.
- Snug fit snap-lock clips in polycarbonate or in stainless steel for diffuser mounting.
- Stainless steel fixing brackets, 11W versions excluded.
- Connection for operation on 230V-50Hz with conventional ballast and power factor correction capacitor (lamps T26, TC-S)
- Connection for operation on 230V-50/60Hz with electronic ballast (lamps T26, T16, TC-SEL).
- Connection for operation with electronic ballast dimmable (lamps T26, T16, TC-SEL).
- Connection for emergency lighting system (lamps T26, T16, TC-SEL).

Upon request



3F Linda **explosion-proof**

Luminaires with electronic ballast, in compliance with 94/9/CE (ATEX), group II, category 3D, for Zone 22.

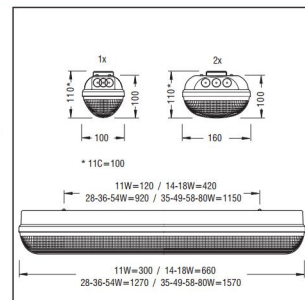
3F LINDA

3F LINDA



CE	F		IP 65
850° C		6,5 J	
T16 / G5	T26	TC-S	TC-SEL
1x E>=75%			
2x E>=70%			

- Diffuse lighting with symmetrical distribution.
- Self-extinguishing V2 polycarbonate housing, injection moulded, grey (RAL 7035).
- Diffuser in transparent self-extinguishing V2 polycarbonate, UV stabilised, injection moulded, with smooth outer surface and differentiated prismatic inner surface.
- Snug fit snap-lock clips in polycarbonate.



Description	Conventional Ballast and capacitor Code	Electronic Ballast Code
3F Linda 1x18W T26	511012	511013
3F Linda 1x36W T26	511112	511113
3F Linda 1x58W T26	511152	511153
3F Linda 2x18W T26	511022	511023
3F Linda 2x36W T26	511122	511123
3F Linda 2x58W T26	511162	511163
Single-lamp version with width of 160mm		
3F Linda 1x18W T26 LA		
3F Linda 1x36W T26 LA		
3F Linda 1x58W T26 LA		
3F Linda 1x11W LA TC-S / TC-SEL		
3F Linda 1x13/14W T16		511173
3F Linda 1x20/24W T16		511273
3F Linda 1x25/28W T16		511233
3F Linda 1x50/54W T16		511353
3F Linda 1x32/35W T16		511253
3F Linda 1x45/49W T16		511333
3F Linda 1x73/80W T16		511393
3F Linda 2x13/14W T16		511183
3F Linda 2x20/24W T16		511283
3F Linda 2x25/28W T16		511243
3F Linda 2x32/35W T16		511263
3F Linda 2x45/49W T16		511343
3F Linda 2x50/54W T16		511363
3F Linda Compact		
3F Linda 1x11W TC-S / TC-SEL	511772	511773
3F Linda 2x11W TC-S / TC-SEL	511782	511783

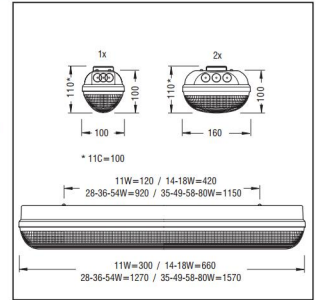
3F LINDA

3F LINDA TRANSPARENT



CE	F	IP 65
850° C	6,5 J	
T16 / G5	T26	TC-S
OSRAM T5 PHILIPS TL5	OSRAM T8 PHILIPS TL-D	OSRAM DULUX S PHILIPS PL-S
		OSRAM DULUX SE PHILIPS PL-SHP
1x E=80%	2x E=70%	

- Direct/Indirect diffuse symmetrical light distribution.
- Housing in transparent self-extinguishing V2 polycarbonate, UV stabilised, injection moulded.
- Diffuser in transparent self-extinguishing V2 polycarbonate, UV stabilised, injection moulded, with smooth outer surface and differentiated prismatic inner surface.
- Snug fit snap-lock clips in polycarbonate.



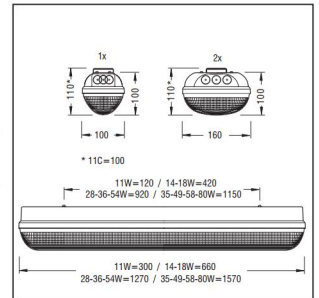
Description	Conventional Ballast and capacitor Code	Electronic Ballast Code
3F Linda Transparent 1x18W T26	513012	513013
3F Linda Transparent 1x36W T26	513112	513113
3F Linda Transparent 1x58W T26	513152	513153
3F Linda Transparent 2x36W T26	513122	513123
3F Linda Transparent 2x58W T26	513162	513163
3F Linda Transparent 1x13/14W T16		513173
3F Linda Transparent 1x25/28W T16		513233
3F Linda Transparent 1x45/49W T16		513333
3F Linda Transparent 2x25/28W T16		513243
3F Linda Transparent 2x45/49W T16		513343
3F Linda Compact		
3F Linda Transparent 1x11W TC-S / TC-SEL	513772	
3F Linda Transparent 2x11W TC-S / TC-SEL	513782	

3F LINDA INOX



CE	F	IP 65
850° C	6,5 J	
T16 / G5	T26	
OSRAM T5 PHILIPS TL5	OSRAM T8 PHILIPS TL-D	
1x E=75%	2x E=70%	

- Diffuse lighting with symmetrical distribution.
- Self-extinguishing V2 polycarbonate housing, injection moulded, grey (RAL 7035).
- Diffuser in transparent self-extinguishing V2 polycarbonate, UV stabilised, injection moulded, with smooth outer surface and differentiated prismatic inner surface.
- Snug fit snap-lock clips in stainless steel for diffuser mounting, tamper-proof opening.



Description	Conventional Ballast and capacitor Code	Electronic Ballast Code
3F Linda Inox 1x18W T26	512012	512013
3F Linda Inox 1x36W T26	512112	512113
3F Linda Inox 1x58W T26	512152	512153
3F Linda Inox 2x18W T26	512022	512023
3F Linda Inox 2x36W T26	512122	512123
3F Linda Inox 2x58W T26	512162	512163
Single-lamp version with width of 160mm		
3F Linda Inox 1x18W T26 LA		
3F Linda Inox 1x36W T26 LA		
3F Linda Inox 1x58W T26 LA		
3F Linda Inox 1x13/14W T16		512173
3F Linda Inox 1x20/24W T16		512273
3F Linda Inox 1x25/28W T16		512233
3F Linda Inox 1x50/54W T16		512353
3F Linda Inox 1x32/35W T16		512253
3F Linda Inox 1x45/49W T16		512333
3F Linda Inox 1x73/80W T16		512393
3F Linda Inox 2x13/14W T16		512183
3F Linda Inox 2x20/24W T16		512283
3F Linda Inox 2x25/28W T16		512243
3F Linda Inox 2x32/35W T16		512263
3F Linda Inox 2x45/49W T16		512343
3F Linda Inox 2x50/54W T16		512363

LUMINAIRES WITH EXTRA PROTECTION

3F LINDA

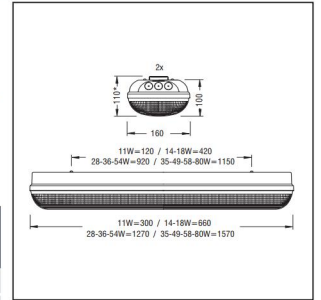
3F LINDA COMPACT EMERGENCY (Non-maintained operation)



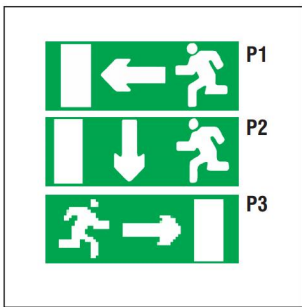
CE	F	IP 65
850° C	6,5 J	
TC-S		
OSRAM BULBUX 5		
PHILIPS PL-S		
1x E=20W		
2x E=29W		

- Self-extinguishing V2 polycarbonate housing, injection moulded, grey (RAL 7035).
- Diffuser in transparent self-extinguishing V2 polycarbonate, UV stabilised, injection moulded, with smooth outer surface and differentiated prismatic inner surface.
- Snug fit snap-lock clips in stainless steel for diffuser mounting, tamper-proof opening (excluded).

Description	Electronic Ballast Code
3F LINDA 1x11W ENP	3F5257
3F LINDA 1+1x11W ENP	3F5259



3F LINDA - PICTOGRAMS FOR WARNING SIGNS



- Pictogram signs for fitting to the diffusers of emergency units 160mm wide. Pictogram, 135mm high, 240mm long for 11W, 605mm long for 18W. Pictograms complying with European standards D.Lgs 493/96, concerning health and safety signals on the workplace.

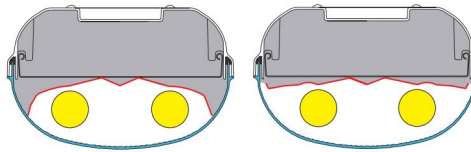
Code	Description		
501901	P1	26CSG	for lum. 11W wide 160mm
501904		26MTH	for lum. 18W wide 160mm
501902	P2	26DVI	for lum. 11W wide 160mm
501905		26MVL	for lum. 18W wide 160mm
501903	P3	26GZM	for lum. 11W wide 160mm
501906		26PXN	for lum. 18W wide 160mm

3F LINDA - RECUPERATORS

Using the parabolic flow recuperators, in high-reflecting aluminium for T8 lamps and in specular aluminium with titanium-magnesium treatment for T5 lamps, the luminaire's efficiency is **increased up to over 20% in the work areas and lighting** is optimized, resulting in energy saving and lower system running costs.

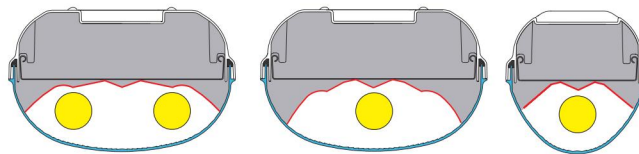
Wide recuperators

For use in rooms with height range from 3m to 6m.



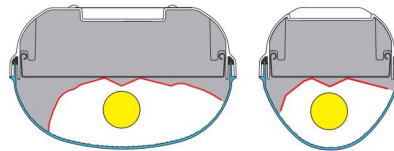
Concentrated recuperators

For use in rooms with height exceeding 4m or where superior-quality illumination is required.

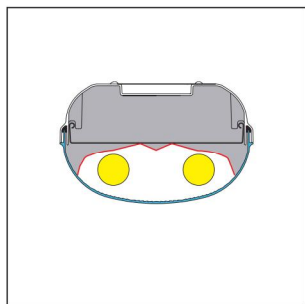


Asymmetric recuperators

For use in rooms where there is a need for precise focusing of the luminous-flow on the working area.

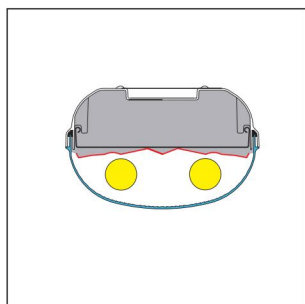
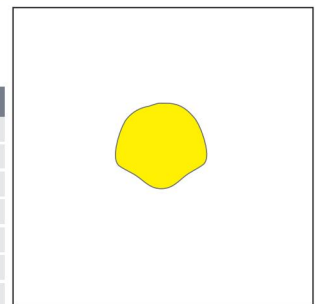


3F LINDA - RECUPERATORS



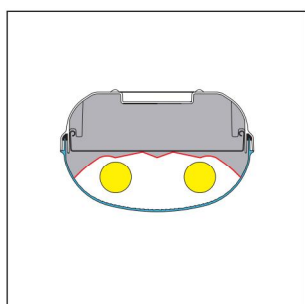
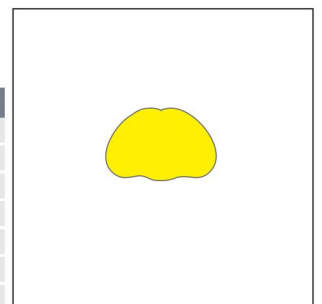
- Parabolic flow recuperator for wide direct distribution, for luminaires 160mm wide.

Code	Description
501201	16CLE for lum. 2x18W T26
501202	16MRA for lum. 2x36W T26
501203	16GPA for lum. 2x58W T26
501222	16PSG for lum. 2x13/14W T16
501223	16RTA for lum. 2x25/28W T16
501224	16BMT for lum. 2x32/35-45/49W T16



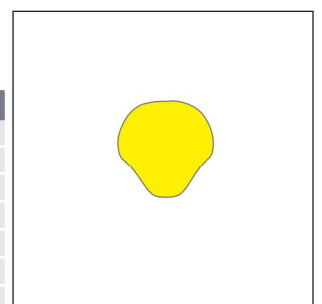
- Parabolic flow recuperator for super-wide distribution, for luminaires 160mm wide.

Code	Description
501204	16HZD for lum. 2x18W T26
501205	16NBH for lum. 2x36W T26
501206	16PCL for lum. 2x58W T26
501231	16ALN for lum. 2x13/14W T16
501232	16FGP for lum. 2x25/28W T16
501233	16VBC for lum. 2x32/35-32/49W T16

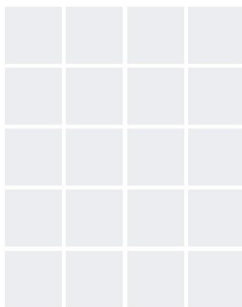
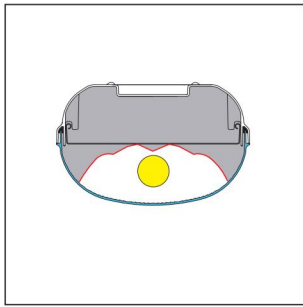


- Parabolic flow recuperator for concentrated direct distribution, for luminaires 160mm wide.

Code	Description
501207	16DRI for lum. 2x18W T26
501208	16REC for lum. 2x36W T26
501209	16LZC for lum. 2x58W T26
501234	16CZA for lum. 2x13/14W T16
501229	16TLS for lum. 2x25/28W T16
501230	16GHR for lum. 2x32/35-45/49W T16

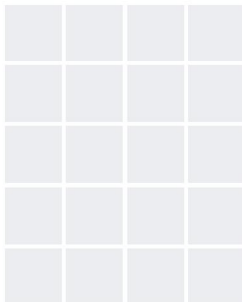
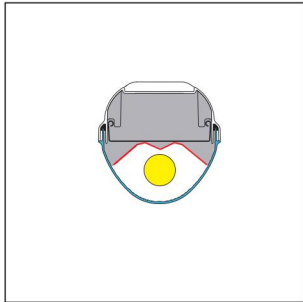
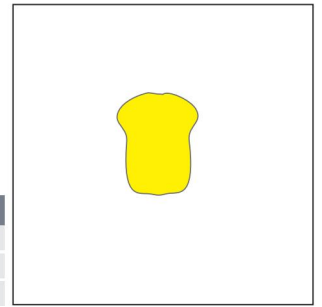


3F LINDA - RECUPERATORS



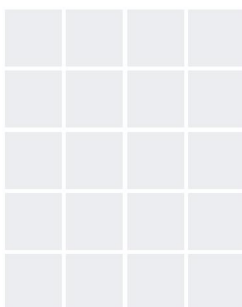
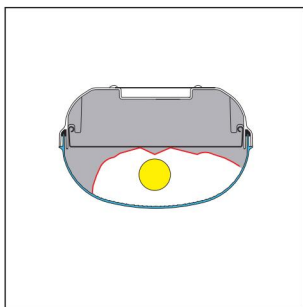
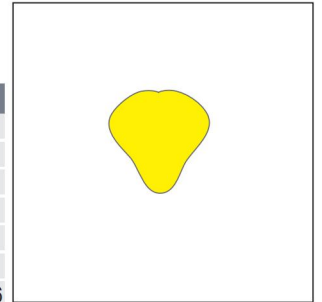
- Parabolic flow recuperator for concentrated direct distribution, for luminaires 160mm wide.

Code	Description
501210	16EFG for lum. 1x18W T26
501211	16QST for lum. 1x36W T26
501212	16ATB for lum. 1x58W T26



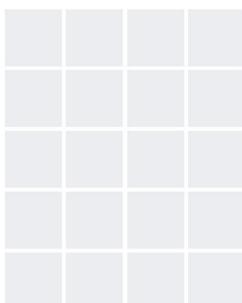
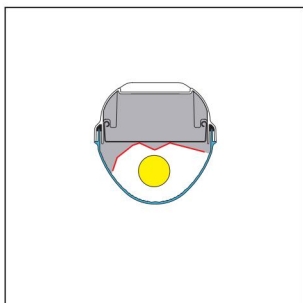
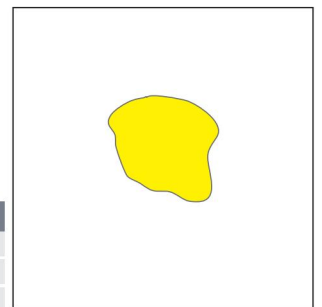
- Parabolic flow recuperator for concentrated direct distribution, for luminaires 100mm wide.

Code	Description
501213	16SNN for lum. 1x18W T26
501214	16THO for lum. 1x36W T26
501215	16UIP for lum. 1x58W T26
501235	16ZRB for lum. 1x13/14W T16
501236	16UCL for lum. 1x25/28-50/54W T16
501237	16EDW for lum. 1x32/35-45/49-73/80W T16



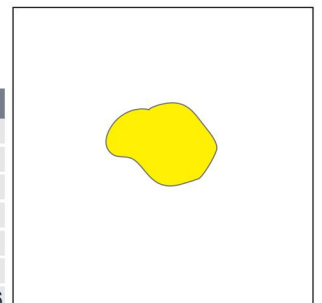
- Parabolic flow recuperator for asymmetric direct distribution, for luminaires 160mm wide.

Code	Description
501216	16FAS for lum. 1x18W T26
501217	16GDM for lum. 1x36W T26
501218	16BZF for lum. 1x58W T26



- Flow recuperator for asymmetric direct distribution, for luminaires 100mm wide.

Code	Description
501219	16VMR for lum. 1x18W T26
501220	16ZOQ for lum. 1x36W T26
501221	16XGS for lum. 1x58W T26
501238	16KXH for lum. 1x13/14W T16
501239	16NQE for lum. 1x25/28-50/54W T16
501240	16WAZ for lum. 1x32/35-45/49-73/80W T16



3F LINDA - ACCESSORIES

3F LINDA - SUSPENSION



- Suspension installation with hooks or chains, 3F Linda 18-36-58W T26, 13/14-25/28-32/35-45/49-50/54-73/80W T16
- Pair of stainless steel springs, for quick installation.

Code	Description
501307	0484 13ELB

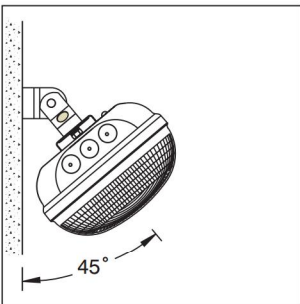
3F LINDA - SUSPENSION



- Suspension 3F Linda T26 & 3F Linda T16
- Quick connection hook in stainless steel.

Code	Description
501305	13GSI for lum. 11W TC-S / TC-SEL
501306	13TRM for lum. 18-36-58W T26 & 13/14-25/28-32/35-45/49-50/54-73/80W T16

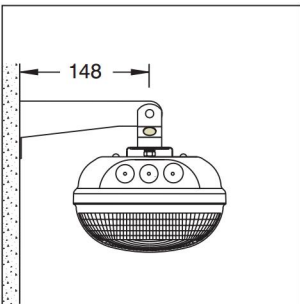
3F LINDA - BRACKETS & HOOKS



- Pair of brackets and hooks in stainless steel, with nuts and bolts for fixing to 3F Linda, for ceiling or wall-mounting, single and twin-lamp luminaires. Minimum tilt angle 45°.

Code	Description
501301	15GZI for lum. 11W TC-S / TC-SEL
501302	15RIT for lum. 18-36-58W T26 & 13/14-25/28-32/35-45/49-50/54-73/80W T16

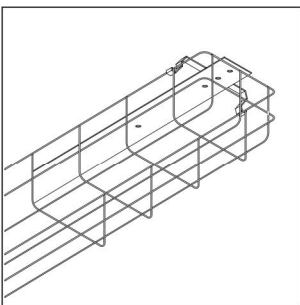
3F LINDA - BRACKETS & HOOKS



- Pair of brackets and hooks in stainless steel, with nuts and bolts for fixing to 3F Linda, for wall-mounting, single and twin-lamp luminaires.

Code	Description
501303	15MBI for lum. 11W TC-S / TC-SEL
501304	15FBR for lum. 18-36-58W T26 & 13/14-25/28-32/35-45/49-50/54-73/80W T16

3F LINDA - WIRE-GUARD



- Wire-guard for applications in dry environments, against shocks coming from any directions, in galvanized steel rod \varnothing 5mm.

Code	Description	Dimensions
201302	12 AZ (for lum. 36W T26, 25/28-50/54W T16)	180 x 1320 x 130
201301	12 BX (for lum. 36W T26, 25/28-50/54W T16)	280 x 1330 x 130
201303	12 IA (for lum. 58W T26, 32/35-45/49-73/80W T16)	180 x 1630 x 130
201304	12 LB (for lum. 58W T26, 32/35-45/49-73/80W T16)	280 x 1630 x 130

3F LINDA - INSTALLATION

3F Linda allows for quick and safe installation with various fixing methods.



Tamper-proof diffuser opening can be realized by means of a screwdriver.



Closing the diffuser is easy and quick thanks to the centring aids on housing and the side snap-lock clips that just need to be pressed.

Quick guide to lighting design

Area lit by a single 3F Linda luminaire (in m ²)										
Installation height		3 metres			5 metres			7 metres		
Surface of room to be lit	Power of luminaire to install	Illumination in Lux			Illumination in Lux			Illumination in Lux		
		100	200	300	100	200	300	100	200	300
from 5 to 30m ²	1x36	9.6								
	1x58		7.4							
	2x36		9.2	6.2						
	2x36+16 MRA		9.8	6.5	11					
	2x58			9.2	15.2	7.6				
	2x58+16 GPA			9.8	16.4	8.2	5.5			
	2x58+16 LZC				18	9	6			
from 50 to 70m ²	1x36	12.6	6.3							
	1x58		9.4							
	2x36			8						
	2x36+16 MRA			8.5						
	2x36+16 REC				15.8	7.9				
	2x58			12	20	10				
	2x58+16 GPA				22.3	11.1	7.4	17.1	8.6	5.7
	2x58+16 LZC					12.2	8	17.9	9	6
from 100 to 200m ²	1x36	15	7.5							
	1x58		11.3	7.5						
	2x36			9.5						
	2x36+16 MRA			9.8						
	2x36+16 REC				21.4	10.7				
	2x58				28.3					
	2x58+16 GPA				32.1	16	10.7	24.2	12.1	8.1
	2x58+16 LZC					16.8	11.2	25	12.5	8.4

BETA i3F / A3F

Complete range of **IP65 waterproof** luminaires made completely from metal, for T16 & T26



Polycarbonate or tempered glass protective diffuser.

High efficiency flow recuperators made of aluminium
Oversized luminaires allowing for optimum internal thermal balance and greater component (electronic in particular) lifetime.

Technical Features

- Luminaires for fluorescent lamps T26 and T16.
- Single-piece housing in **pressed steel**, powder-coated in white epoxy-polyester (for I3F lum.) or single-piece housing in **pressed aluminium**, powder-coated in white epoxy-polyester (for A3F lum).
- Anti-aging injected sealing gasket.
- Clips in galvanized steel for diffuser mounting.
- 36-58-49-80W T16 versions are available with specular non-iridescent aluminium **reflector**, with superficial titanium-magnesium treatment.
- Gear-tray reflector unit in hot-galvanized steel, painted in white polyester, fixed to the housing with rotary Ribloc mechanisms from galvanized steel.
- Connection for operation on 230V-50Hz with conventional ballast and power factor correction capacitor (lamps T26)
- Connection for operation on 230V-50/60Hz with electronic ballast (lamps T26, T16).
- Connection for operation with electronic ballast dimmable (lamps T26, T16).
- Connection for emergency lighting system (lamps T26, T16).

Upon request



Explosion-proof luminaires with electronic ballast, class II, in compliance with 94/9/CE (ATEX), group II, category 3D, for Zone 22.

LUMINAIRES WITH EXTRA PROTECTION

BETA i3F / A3F



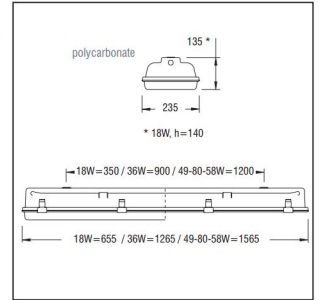
BETA i3F / A3F

BETA i3F 75



CE	F	IP 65
850° C	6,5 J	HF D
T16 / G5	T26	
OSRAM: T5 PHILIPS: TL5	OSRAM: T5 PHILIPS: TL-D	
T16 R>90% T26 R>75%	T16 R>90% T26 R>75%	

- Diffuser in transparent self-extinguishing V2 polycarbonate, UV stabilised, injection moulded, with smooth outer surface and differentiated prismatic inner surface.



Description	Conventional Ballast and capacitor Code	Electronic Ballast Code
i3F 751x18W T26	531012	531013
i3F 751x36W T26	531112	531113
i3F 751x58W T26	531152	531153
i3F 752x18W T26	531022	531023
i3F 752x36W T26	531122	531123
i3F 752x58W T26	531162	531163
i3F 751x25/28W T16		531233
i3F 751x32/35W T16		531253
i3F 751x45/49W T16		531333
i3F 751x50/54W T16		531353
i3F 751x73/80W T16		531393
i3F 752x25/28W T16		531243
i3F 752x32/35W T16		531263
i3F 752x45/49W T16		531343
i3F 752x50/54W T16		531363
i3F 752x73/80W T16		531403

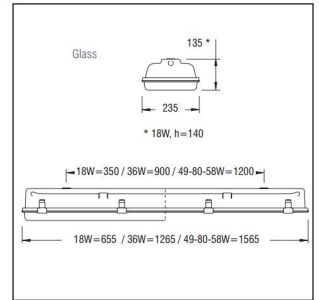
Number of the luminaire's lamps: the third digit of the first number (at the description) corresponds to the number of lamps eg 751x18W = 1x18W.

BETA i3F 76



CE	F	IP 65
850° C	6,5 J	HF D
T16 / G5	T26	
OSRAM: T5 PHILIPS: TL5	OSRAM: T5 PHILIPS: TL-D	
T16 R>90% T26 R>75%	T16 R>90% T26 R>75%	

- Transparent tempered glass, sealing gasket, single-piece perimetrical frame in galvanized steel, hinged opening by means of galvanized steel clips.



Description	Conventional Ballast and capacitor Code	Electronic Ballast Code
i3F 761x18W T26	532012	532013
i3F 761x36W T26	532112	532113
i3F 761x58W T26	532152	532153
i3F 762x18W T26	532022	532023
i3F 762x36W T26	532122	532123
i3F 762x58W T26	532162	532163
i3F 761x25/28W T16		532233
i3F 761x32/35W T16		532253
i3F 761x45/49W T16		532333
i3F 761x50/54W T16		532353
i3F 761x73/80W T16		532393
i3F 762x25/28W T16		532243
i3F 762x32/35W T16		532263
i3F 762x45/49W T16		532343
i3F 762x50/54W T16		532363
i3F 762x73/80W T16		532403

Number of the luminaire's lamps: the third digit of the first number (at the description) corresponds to the number of lamps eg 761x18W = 1x18W.

LUMINAIRES WITH EXTRA PROTECTION

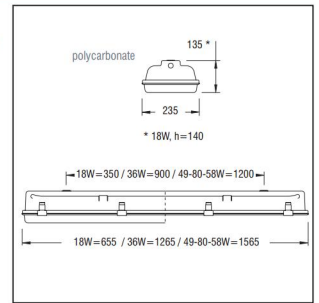
BETA i3F / A3F

BETA A3F 90



CE	F	IP 65
850° C	6,5 J	HF D
T16 / G5	T26	
OSRAM: T5 PHILIPS: TL5	OSRAM: T5 PHILIPS: TL-D	
T16 R>90% T26 R>75%	T16 R>90% T26 R>75%	

- Diffuser in transparent self-extinguishing V2 polycarbonate, UV stabilised, injection moulded, with smooth outer surface and differentiated prismatic inner surface.



Description	Conventional Ballast and capacitor Code	Electronic Ballast Code
A3F 901x18W T26	521012	521013
A3F 901x36W T26	521112	521113
A3F 901x58W T26	521152	521153
A3F 902x18W T26	521022	521023
A3F 902x36W T26	521122	521123
A3F 902x58W T26	521162	521163
A3F 901x25/28W T16		521233
A3F 901x32/35W T16		521253
A3F 901x45/49W T16		521333
A3F 901x50/54W T16		521353
A3F 901x73/80W T16		521393
A3F 902x25/28W T16		521243
A3F 902x32/35W T16		521263
A3F 902x45/49W T16		521343
A3F 902x50/54W T16		521363
A3F 902x73/80W T16		521403

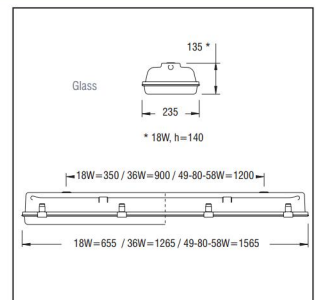
Number of the luminaire's lamps: the third digit of the first number (at the description) corresponds to the number of lamps eg 901x18W = 1x18W.

BETA A3F 91



CE	F	IP 65
850° C	6,5 J	HF D
T16 / G5	T26	
OSRAM: T5 PHILIPS: TL5	OSRAM: T5 PHILIPS: TL-D	
T16 R>75% T26 R>75%	T16 R>75% T26 R>75%	

- Transparent tempered glass, sealing gasket, single-piece perimetrical frame in galvanized steel.



Description	Conventional Ballast and capacitor Code	Electronic Ballast Code
A3F 911x18W T26	522012	522013
A3F 911x36W T26	522112	522113
A3F 911x58W T26	522152	522153
A3F 912x18W T26	522022	522023
A3F 912x36W T26	522122	522123
A3F 912x58W T26	522162	522163
A3F 911x25/28W T16		522233
A3F 911x32/35W T16		522253
A3F 911x45/49W T16		522333
A3F 911x50/54W T16		522353
A3F 911x73/80W T16		522393
A3F 912x25/28W T16		522243
A3F 912x32/35W T16		522263
A3F 912x45/49W T16		522343
A3F 912x50/54W T16		522363
A3F 912x73/80W T16		522403

Number of the luminaire's lamps: the third digit of the first number (at the description) corresponds to the number of lamps eg 911x18W = 1x18W.

LUMINAIRES WITH EXTRA PROTECTION

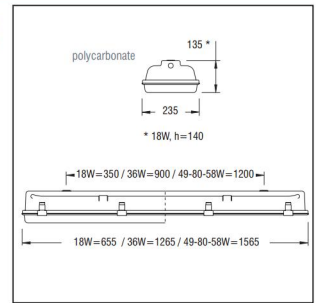
BETA i3F / A3F

BETA A3F 90



CE	F	IP 65
850° C	6,5 J	
T16 / G5	T26	
OSRAM: T5 PHILIPS: TL5	OSRAM: T8 PHILIPS: TL-D	
T16 R>90% T26 R>75%	T16 R>90% T26 R>75%	

- Diffuser in transparent self-extinguishing V2 **polycarbonate**, UV stabilised, injection moulded, with smooth outer surface and differentiated prismatic inner surface.



Description	Conventional Ballast and capacitor Code	Electronic Ballast Code
A3F 921x18W T26	523012	523013
A3F 921x36W T26	523112	523113
A3F 921x58W T26	523152	523153
A3F 922x18W T26	523022	523023
A3F 922x36W T26	523122	523123
A3F 922x58W T26	523162	523163
A3F 921x25/28W T16		523233
A3F 921x32/35W T16		523253
A3F 921x45/49W T16		523333
A3F 921x50/54W T16		523353
A3F 921x73/80W T16		523393
A3F 922x25/28W T16		523243
A3F 922x32/35W T16		523263
A3F 922x45/49W T16		523343
A3F 922x50/54W T16		523363
A3F 922x73/80W T16		523403

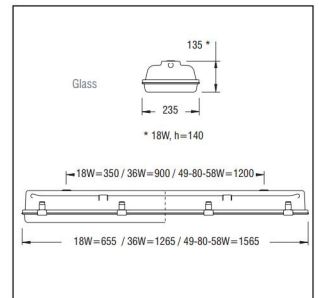
Number of the luminaire's lamps: the third digit of the first number (at the description) corresponds to the number of lamps eg 921x18W = 1x18W.

BETA A3F 93



CE	F	IP 65
850° C	6,5 J	
T16 / G5	T26	
OSRAM: T5 PHILIPS: TL5	OSRAM: T8 PHILIPS: TL-D	
T16 R>75% T26 R>75%	T16 R>75% T26 R>75%	

- Transparent tempered **glass**, sealing gasket, single-piece perimetrical frame in stainless steel.

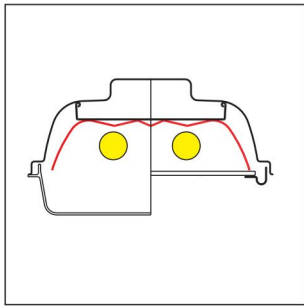


Description	Conventional Ballast and capacitor Code	Electronic Ballast Code
A3F 931x18W T26	524012	524013
A3F 931x36W T26	524112	524113
A3F 931x58W T26	524152	524153
A3F 932x18W T26	524022	524023
A3F 932x36W T26	524122	524123
A3F 932x58W T26	524162	524163
A3F 931x25/28W T16		524233
A3F 931x32/35W T16		524253
A3F 931x45/49W T16		524333
A3F 931x50/54W T16		524353
A3F 931x73/80W T16		524393
A3F 932x25/28W T16		524243
A3F 932x32/35W T16		524263
A3F 932x45/49W T16		524343
A3F 932x50/54W T16		524363
A3F 932x73/80W T16		524403

Number of the luminaire's lamps: the third digit of the first number (at the description) corresponds to the number of lamps eg 931x18W = 1x18W.

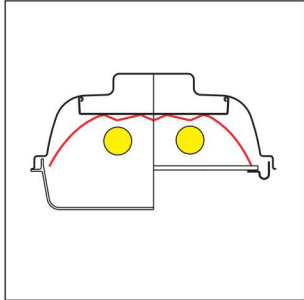
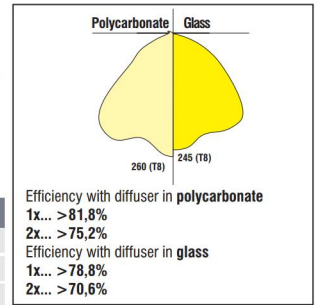
LUMINAIRES WITH EXTRA PROTECTION

BETA i3F / A3F - ACCESSORIES - RECUPERATORS



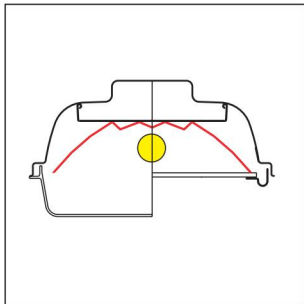
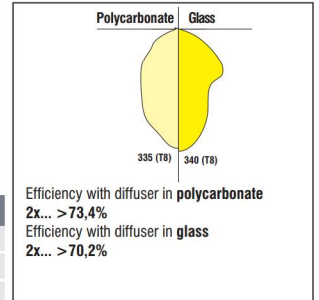
- Wide distribution 1x... & 2x...
Parabolic flow recuperator for wide distribution, in specular aluminium. Applications in environments from 3 to 7m high.

Code	Description
502201	Recup. AMPIO for lum. 1-2x36W
502202	Recup. AMPIO for lum. 1-2x58W
502203	Recup. AMPIO for lum. 1-2x49/80W



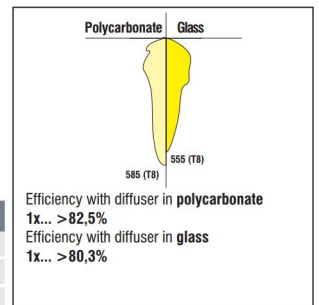
- Concentrated distribution 2x...
Parabolic flow recuperator for concentrated distribution in specular aluminium. Applications in environments from 5 to 10m high.

Code	Description
502204	Recup. CONC. for lum. 2x36W
502205	Recup. CONC. for lum. 2x58W
502206	Recup. CONC. for lum. 2x80W



- Concentrated distribution 1x...
Flow recuperator for super-concentrated distribution, in specular aluminium.
Applications in store aisles or for localized lighting.

Code	Description
502204	Recup. CONC. for lum. 2x36W
502205	Recup. CONC. for lum. 2x58W
502206	Recup. CONC. for lum. 2x80W



HOOKS



- Pair of hooks for suspended installation with nuts and bolts for luminaire fastening.

Code	Description
502304	13DH (galvanized steel) for i3F
502301	13HC (stainless steel) for A3F

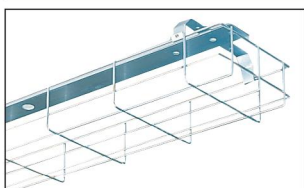
MOUNTING BRACKETS



- Pair of mounting brackets and hooks for wall mounting with nuts and bolts for luminaire fastening, everything in stainless steel.

Code	Description
502303	15CD for A3F

WIRE- GUARD



- **Wire-guard** for applications in dry environments, against shocks coming from any directions, in galvanized rod \varnothing 5mm.

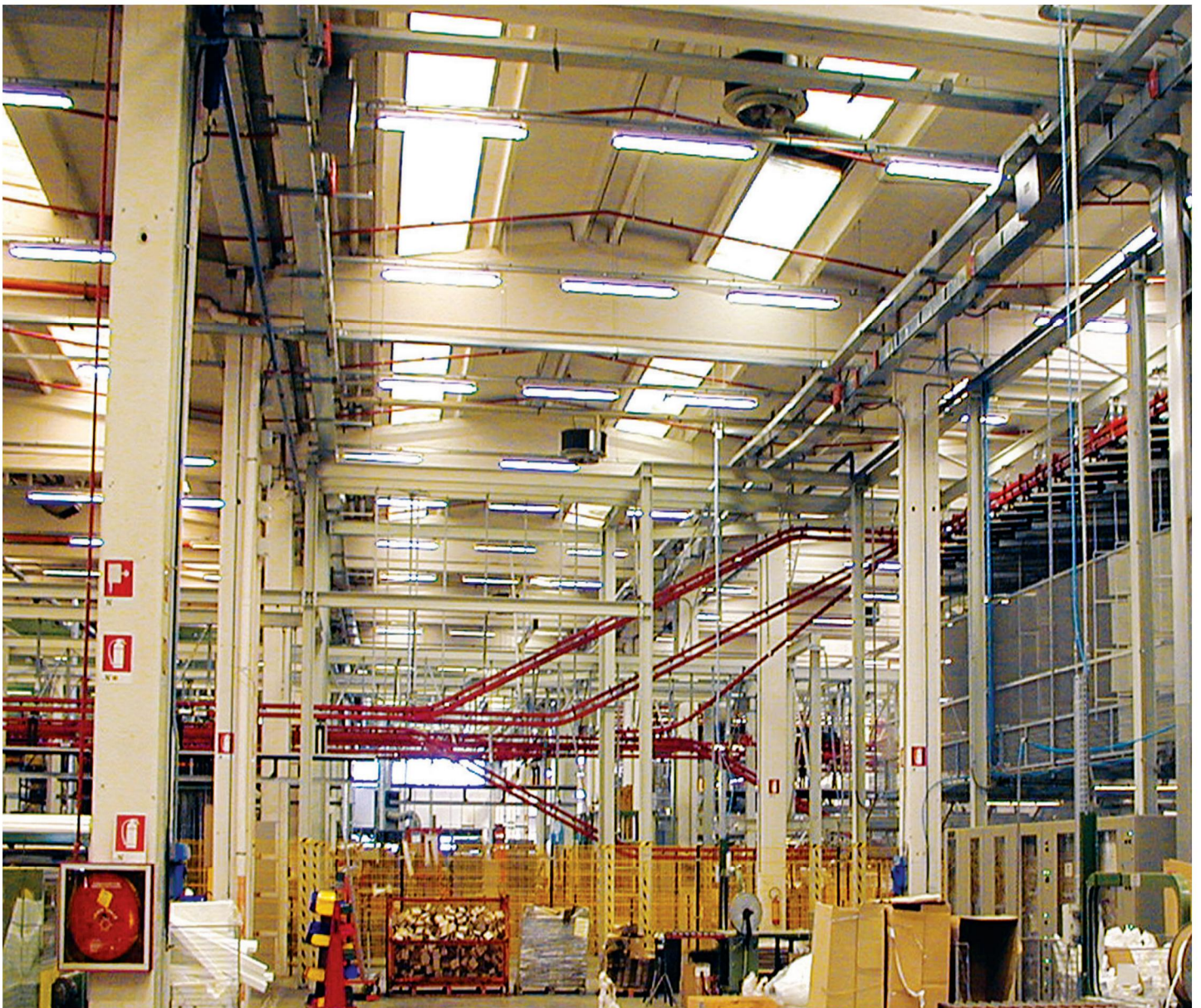
Code	Description	Dimensions
201301	12 BX (for lum. 36W T26, 25/28-50/54W T16)	280 x 1330 x 130
201304	12 LB (for lum. 58W T26, 32/35-45/49-73/80W T16)	280 x 1630 x 130

BETA i3F / A3F



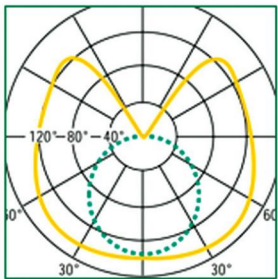
LUMINAIRES WITH EXTRA PROTECTION

BETA i3F / A3F



LUMINAIRES WITH EXTRA PROTECTION

MARKET RWB

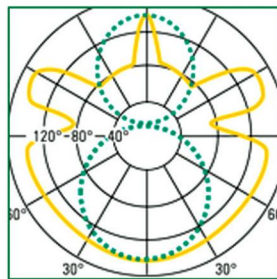


RWB 1/54W T16

— C0-C180

η 100%

— C90-C270

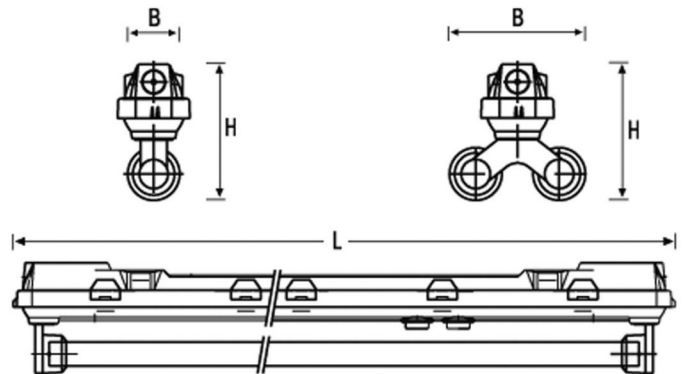


RWB 2/54W T16

— C0-C180

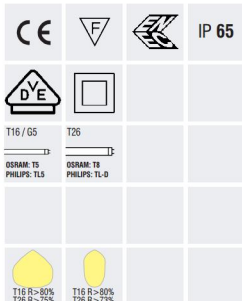
η 110%

— C90-C270



Technical Features

- Luminaires for fluorescent lamps T26 & T16.
- Body and top in gray colour, made of hardly flammable glass fiber-reinforced polyester, resistant to corrosion and humidity.
- Anti-aging formed rubber gasket.
- Easy installation and maintenance of the luminaire.
- Connection for operation on 230V-50/60Hz with electronic ballast (lamps T26, T16).
- Connection for operation with electronic ballast dimmable (lamps T26, T16).



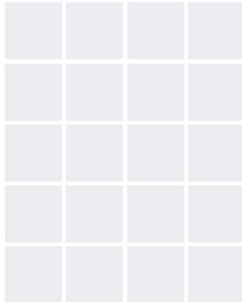
Description	Dimensions			Electronic Ballast Code
	B	L	H	
481x36W T26	66	1278	126	541113
481x58W T26	66	1578	126	541153
482x36W T26	126	1278	126	541123
482x58W T26	126	1578	126	541163
481x25/28W T16	66	1227	126	541233
481x50/54W T16	66	1227	126	541353
481x32/35W T16	66	1527	126	541253
481x45/49W T16	66	1527	126	541333
481x73/80W T16	66	1527	126	541393
482x25/28W T16	126	1227	126	541243
482x50/54W T16	126	1227	126	541363
482x32/35W T16	126	1527	126	541263
482x45/49W T16	126	1527	126	541343

Number of the luminaire's lamps: the third digit of the first number (at the description) corresponds to the number of lamps eg 481x36W = 1x36W.

LUMINAIRES WITH EXTRA PROTECTION

MARKET RWB

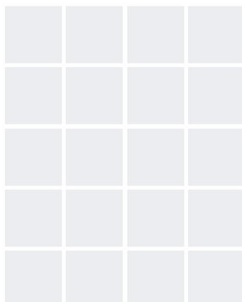
WHITE REFLECTOR



- Parabolic reflector made of white painted steel, for the distribution of the luminous flux.

Code	Description
504101	14ΣΜΛ for lum. 1x36W T26
504102	16ΣΜΛ for lum. 1x58W T26
504103	18ΣΜΛ for lum. 1x25/28-50/54W T16
504104	20ΣΜΛ for lum. 1x32/35-45/49-73/80W T16
504105	24ΣΜΛ for lum. 2x36W T26
504106	26ΣΜΛ for lum. 2x58W T26
504107	28ΣΜΛ for lum. 2x25/28-50/54W T16
504108	30ΣΜΛ for lum. 2x32/35-45/49-73/80W T16

WHITE REFLECTOR



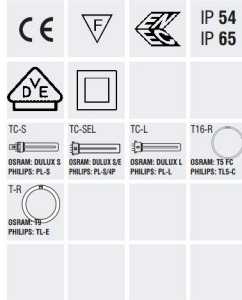
- Transparent protection tube for the lamp with grip collar.

Code	Description
504202	TUB036 for lamp 36W T26
504203	TUB058 for lamp 58W T26
504204	TUB028 for lamp 25/28-50/54W T16
504205	TUB035 for lamp 32/35-45/49-73/80W T16

LUMINAIRES WITH EXTRA PROTECTION

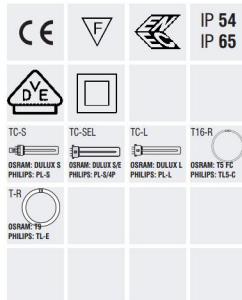
CIRCLIGHT CL / SQUARELIGHT SQL

CIRCLIGHT CL



Description	Dimensions	Conventional Ballast and capacitor Code	Electronic Ballast Code
CL 260 1x9W TC-S / G23 IP 54	260 55	561752	561753
CL 260 2x9W TC-S / G23 IP 54	260 55	561762	561763
CL 360 2x11W TC-S / G23 or TC-SEL / 2G7 IP 65	360 83	562782	562783
CL 360 2x18W TC-L / 2G11 IP 65	360 83	562642	562643
CL 360 1x32W T-R / G10Q IP 65	360 83	562582	
CL 360 1x40W T16-R / 2GX13 IP 65	360 83		562553
CL 360 1x55W T16-R / 2GX13 IP 65	360 83		562513

CIRCLIGHT CL



Description	Dimensions	Conventional Ballast and capacitor Code	Electronic Ballast Code
SQL 200 1x9W TC-S / G23 IP 54	200 200 58	571752	
SQL 200 2x9W TC-S / G23 IP 54	200 200 58	571762	
SQL 300 2x11W TC-S / G23 or TC-SEL / 2G7 IP 65	300 300 83	572782	572783
SQL 300 2x18W TC-L / 2G11 IP 65	300 300 83	572642	572643
SQL 300 1x22W T-R / G10Q or T16-R / 2GX13 IP 65	300 300 83	572572	572573

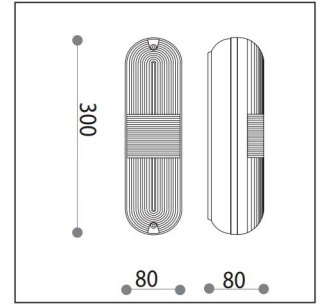
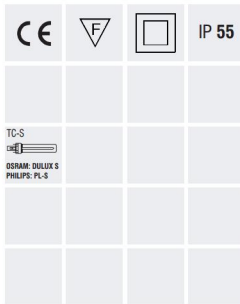
Technical Features

- Luminaires for fluorescent lamps T-R or compact.
- Polycarbonate body in white colour.
- Methacrylate cover in white colour.
- Metal steel base for the installation of the ignition system and the electrical components.
- Anti-aging sealing gasket.
- Connection for operation on 230V-50Hz with conventional ballast and power factor correction capacitor (lamps TC-S, TC-L, T-R).
- Connection for operation on 230V-50/60Hz with electronic ballast (lamps TC-SEL, TC-L, T-R, T16-R).

LUMINAIRES WITH EXTRA PROTECTION

BETA

BETA



Description	Conventional Ballast Code
0116.108B 1x11W TC-S / G23	542771
0116.108N 1x11W TC-S / G23	542772

Technical Features

- Luminaires for fluorescent lamps compact.
- Polycarbonate body in white (B) or black (N) colour.
- Polycarbonate transparent cover with prismatic inner surface.
- White polycarbonate reflector.
- Anti-aging sealing gasket.
- Connection for operation on 230V-50Hz with conventional ballast and power factor correction capacitor.

3F CUB



Technical Features

- Luminaires for fluorescent lamps compact.
- Aluminium body electrostatically painted in white colour.
- Stainless steel clips.

- Connection for operation on 230V-50/60Hz with electronic ballast.
- Connection for operation with electronic ballast dimmable.
- Connection for emergency lighting system.

Upon request



Explosion-proof luminaires IP64 with electronic ballast, class II, in compliance with 94/9/CE (ATEX), group II, category 3D, for Zone 22.

LUMINAIRES WITH EXTRA PROTECTION

3F CUB

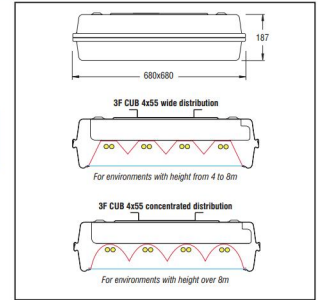
3F CUB R90



CE	F	IP 43
960° C	M	D
TC-L		
OSRAM: DULUX L PHILIPS: PL-L		
4x55 E>90% 6x55 E>75%	E>90%	
Recuperator with wide distribution	Recuperator with concentrated distribution	

- Flow recuperator with wide or concentrated distribution, from non-iridescent specular aluminium with superficial titanium-magnesium treatment.

Code	Description	
Wide flow recuperator		
3F 5600	3F CUB R90 4x55 TC-L / 2G11	5600
3F 5601	3F CUB R90 6x55 TC-L / 2G11	5601
Concentrated flow recuperator		
3F 5606	3F CUB R90 4x55 CONC TC-L / 2G11	5606



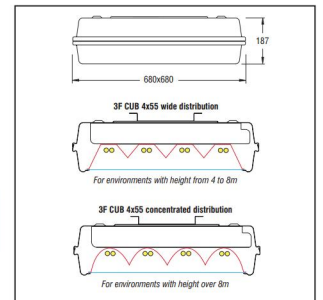
3F CUB IP64



CE	F	IP 64
960° C	M	6,5 L
VT		
TC-L		
OSRAM: DULUX L PHILIPS: PL-L		
E>70%	E>65%	
Recuperator with wide distribution	Recuperator with concentrated distribution	

- Flow recuperator with wide or concentrated distribution, from non-iridescent specular aluminium with superficial titanium-magnesium treatment.
- Cover from transparent non-combustible tempered glass (VT). Ecologic anti-aging injected sealing gaskets.

Code	Description	
Wide flow recuperator		
3F 5610	3F CUB 4x55 VT IP64 TC-L / 2G11	5610
Concentrated flow recuperator		
3F 5612	3F CUB 4x55 CONC VT IP64 TC-L / 2G11	5612



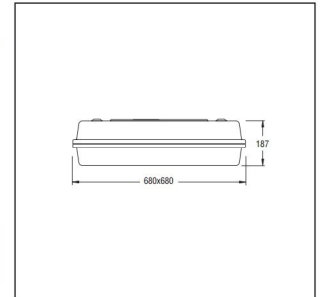
3F CUB COM



CE	F	IP 43
960° C	M	D
TC-L		
OSRAM: DULUX L PHILIPS: PL-L		
E>80%		

- COM louvre with parabolic transverse blades from white aluminium and longitudinal double-parabolic reflectors from non-iridescent specular aluminium with superficial titanium-magnesium treatment.
- Flow recuperator from non-iridescent specular aluminium with superficial titanium-magnesium treatment.

Code	Description	
3F 45500	3F CUB 4x55 CR COM TC-L / 2G11	45500



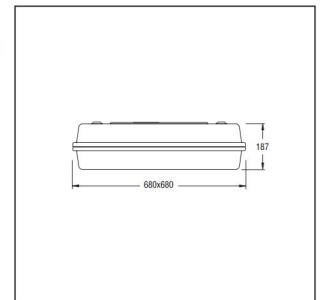
3F CUB COM IP64



CE	F	IP 64
960° C	650° C	6,5 L
VT	SP	VT
TC-L		
OSRAM: DULUX L PHILIPS: PL-L		
E>73%		

- COM louvre with parabolic transverse blades from white aluminium and longitudinal double-parabolic reflectors from non-iridescent specular aluminium with superficial titanium-magnesium treatment.
- Flow recuperator from non-iridescent specular aluminium with superficial titanium-magnesium treatment.
- Cover from transparent non-combustible tempered glass (VT) or transparent methacrylate anti-aging diffuser (SP). Ecologic anti-aging injected sealing gaskets.

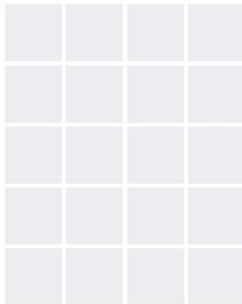
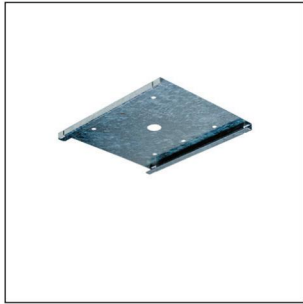
Code	Description	
3F 45505	3F CUB 4x55 CR COM VT IP64 TC-L / 2G11	45505
3F 45509	3F CUB 4x55 CR COM SP IP64 TC-L / 2G11	45509



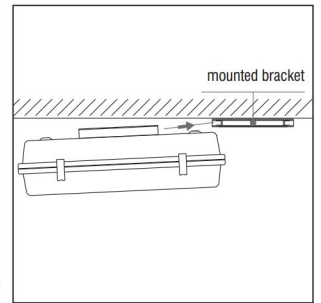
LUMINAIRES WITH EXTRA PROTECTION

3F CUB - ACCESSORIES

CEILING MOUNTED BRACKET

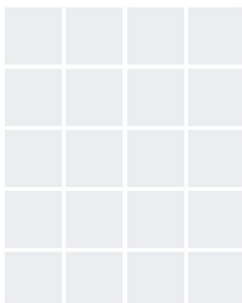
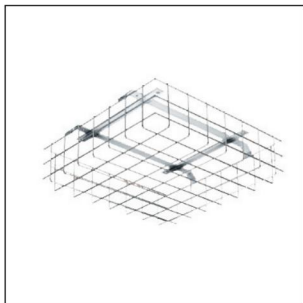


- Ceiling-mounted bracket in hot-galvanized steel, spaces the 3F Cub from the ceiling by 60mm.

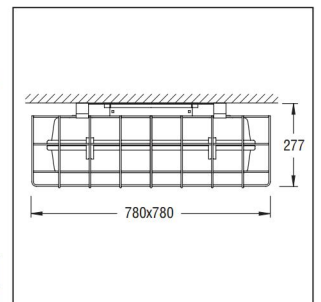


Code	Description
3F 0213	CEILING-MOUNTED BRACKET 0213

WIRE-GUARD



- Wire-guard applications in dry environments, against shocks coming from any directions, in galvanized steel rod \varnothing 5mm. To install it, ceiling-mounted bracket code 0213 is always necessary.



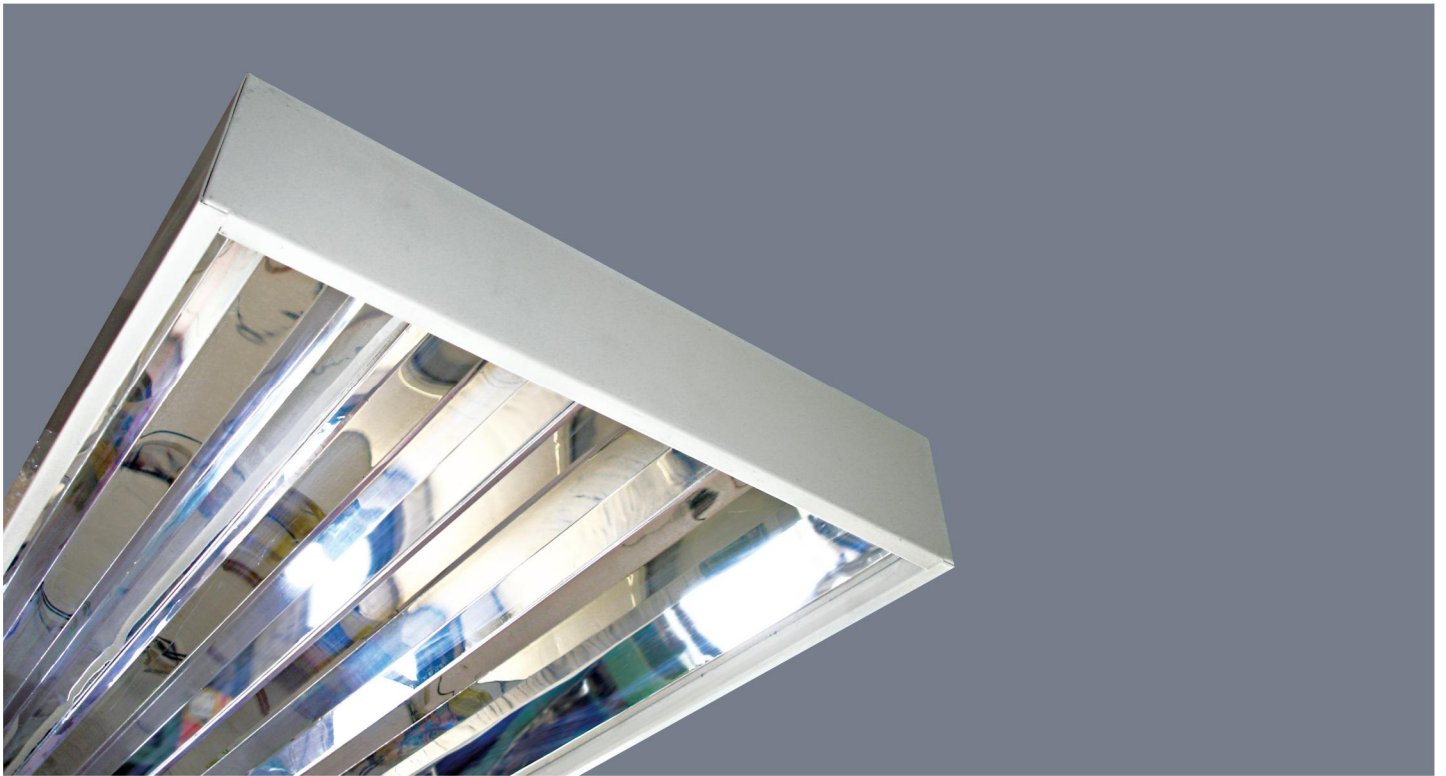
Code	Description
3F 0210	WIRE-GUARD 0210



3F CUB - ACCESSORIES



P 220 HB



Technical Features

- Luminaires for fluorescent T5 lamps or Led modules.
- Housing from steel powder-coated in white epoxy-polyester.
- Total flow recuperator with concentrated distribution from non-iridescent specular aluminium.
- Connection for operation on 230V-50/60Hz with electronic ballast.
- Connection for operation with electronic ballast dimmable.
- Connection for emergency lighting system.

For Led version

- Colour temperature 4000K.
- Colour rendering RA>80.
- Colour tolerance: 3 MacAdam steps.
- Life time: 50000h.

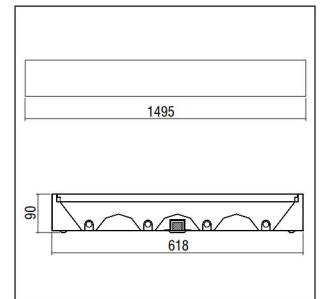
P 224 HB



CE	F	IP 20
T16 / G5		
OSRAM: T5 PHILIPS: T5		
E>90%		

- Flow recuperator with concentrated distribution, from non-iridescent specular aluminium.

Code	Description
271403	P 224x80W HB T5



P 223 HBLED



CE		IP 40 IP 54
LED	ta 25°C	
E>82%		

- Flow recuperator with concentrated distribution, from non-iridescent specular aluminium.
- High efficient transparent PMMA cover.
- Total Wattage: 132W.

Code	Description
271813	P 223x44W HB 18480Lm Neutral IP40
271823	P 223x44W HB 18480Lm Neutral IP54

