

## BETA i3F / A3F

Complete range of **IP65 waterproof** luminaires made completely from metal, for T16 & T26



**Polycarbonate or tempered glass** protective diffuser.

High efficiency flow recuperators made of aluminium  
Oversized luminaires allowing for optimum internal thermal balance and greater component (electronic in particular) lifetime.

### Technical Features

- Luminaires for fluorescent lamps T26 and T16.
- Single-piece housing in **pressed steel**, powder-coated in white epoxy-polyester (for I3F lum.) or single-piece housing in **pressed aluminium**, powder-coated in white epoxy-polyester (for A3F lum).
- Anti-aging injected sealing gasket.
- Clips in galvanized steel for diffuser mounting.
- 36-58-49-80W T16 versions are available with specular non-iridescent aluminium **reflector**, with superficial titanium-magnesium treatment.
- Gear-tray reflector unit in hot-galvanized steel, painted in white polyester, fixed to the housing with rotary Ribloc mechanisms from galvanized steel.
- Connection for operation on 230V-50Hz with conventional ballast and power factor correction capacitor (lamps T26)
- Connection for operation on 230V-50/60Hz with electronic ballast (lamps T26, T16).
- Connection for operation with electronic ballast dimmable (lamps T26, T16).
- Connection for emergency lighting system (lamps T26, T16).

#### Upon request



**Explosion-proof** luminaires with electronic ballast, class II, in compliance with 94/9/CE (ATEX), group II, category 3D, for Zone 22.

LUMINAIRES WITH EXTRA PROTECTION

BETA i3F / A3F



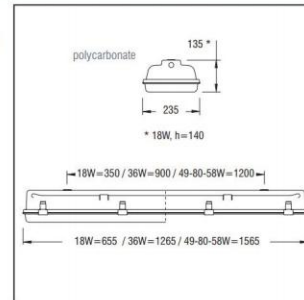
BETA i3F / A3F

BETA i3F 75



CE	F	IP 65
850° C	6,5 J	HF D
T16 / G5	T26	
OSRAM: T5 PHILIPS: T5	OSRAM: T5 PHILIPS: T5-D	
T16 R > 90%	T16 R > 90%	

- Diffuser in transparent self-extinguishing V2 polycarbonate, UV stabilised, injection moulded, with smooth outer surface and differentiated prismatic inner surface.



Description	Conventional Ballast and capacitor Code	Electronic Ballast Code
i3F 751x18W T26	531012	531013
i3F 751x36W T26	531112	531113
i3F 751x58W T26	531152	531153
i3F 752x18W T26	531022	531023
i3F 752x36W T26	531122	531123
i3F 752x58W T26	531162	531163
i3F 751x25/28W T16		531233
i3F 751x32/35W T16		531253
i3F 751x45/49W T16		531333
i3F 751x50/54W T16		531353
i3F 751x73/80W T16		531393
i3F 752x25/28W T16		531243
i3F 752x32/35W T16		531263
i3F 752x45/49W T16		531343
i3F 752x50/54W T16		531363
i3F 752x73/80W T16		531403

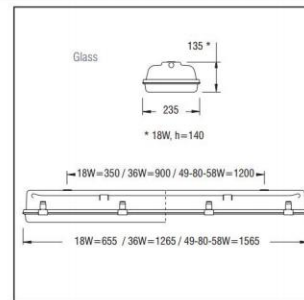
Number of the luminaire's lamps: the third digit of the first number (at the description) corresponds to the number of lamps eg 751x18W = 1x18W.

BETA i3F 76



CE	F	IP 65
850° C	6,5 J	HF D
T16 / G5	T26	
OSRAM: T5 PHILIPS: T5	OSRAM: T5 PHILIPS: T5-D	
T16 R > 70%	T16 R > 70%	

- Transparent tempered glass, sealing gasket, single-piece perimetrical frame in galvanized steel, hinged opening by means of galvanized steel clips.



Description	Conventional Ballast and capacitor Code	Electronic Ballast Code
i3F 761x18W T26	532012	532013
i3F 761x36W T26	532112	532113
i3F 761x58W T26	532152	532153
i3F 762x18W T26	532022	532023
i3F 762x36W T26	532122	532123
i3F 762x58W T26	532162	532163
i3F 761x25/28W T16		532233
i3F 761x32/35W T16		532253
i3F 761x45/49W T16		532333
i3F 761x50/54W T16		532353
i3F 761x73/80W T16		532393
i3F 762x25/28W T16		532243
i3F 762x32/35W T16		532263
i3F 762x45/49W T16		532343
i3F 762x50/54W T16		532363
i3F 762x73/80W T16		532403

Number of the luminaire's lamps: the third digit of the first number (at the description) corresponds to the number of lamps eg 761x18W = 1x18W.

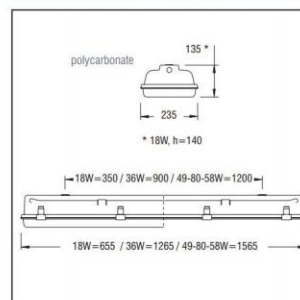
## LUMINAIRES WITH EXTRA PROTECTION

### BETA i3F / A3F

#### BETA A3F 90



- Diffuser in transparent self-extinguishing V2 polycarbonate, UV stabilised, injection moulded, with smooth outer surface and differentiated prismatic inner surface.



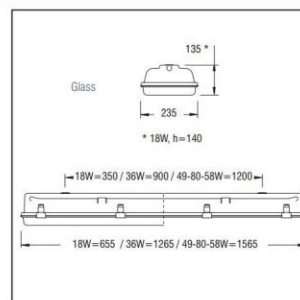
Description	Conventional Ballast and capacitor Code	Electronic Ballast Code
A3F 901x18W T26	521012	521013
A3F 901x36W T26	521112	521113
A3F 901x58W T26	521152	521153
A3F 902x18W T26	521022	521023
A3F 902x36W T26	521122	521123
A3F 902x58W T26	521162	521163
A3F 901x25/28W T16		521233
A3F 901x32/35W T16		521253
A3F 901x45/49W T16		521333
A3F 901x50/54W T16		521353
A3F 901x73/80W T16		521393
A3F 902x25/28W T16		521243
A3F 902x32/35W T16		521263
A3F 902x45/49W T16		521343
A3F 902x50/54W T16		521363
A3F 902x73/80W T16		521403

**Number of the luminaire's lamps:** the third digit of the first number (at the description) corresponds to the number of lamps eg 901x18W = 1x18W.

#### BETA A3F 91



- Transparent tempered glass, sealing gasket, single-piece perimetrical frame in galvanized steel.



Description	Conventional Ballast and capacitor Code	Electronic Ballast Code
A3F 911x18W T26	522012	522013
A3F 911x36W T26	522112	522113
A3F 911x58W T26	522152	522153
A3F 912x18W T26	522022	522023
A3F 912x36W T26	522122	522123
A3F 912x58W T26	522162	522163
A3F 911x25/28W T16		522233
A3F 911x32/35W T16		522253
A3F 911x45/49W T16		522333
A3F 911x50/54W T16		522353
A3F 911x73/80W T16		522393
A3F 912x25/28W T16		522243
A3F 912x32/35W T16		522263
A3F 912x45/49W T16		522343
A3F 912x50/54W T16		522363
A3F 912x73/80W T16		522403

**Number of the luminaire's lamps:** the third digit of the first number (at the description) corresponds to the number of lamps eg 911x18W = 1x18W.

## LUMINAIRES WITH EXTRA PROTECTION

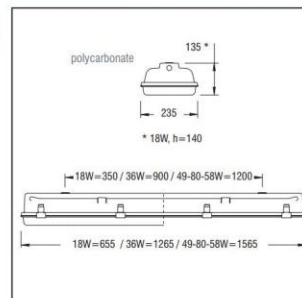
### BETA i3F / A3F

#### BETA A3F 90



CE	F	IP 65
850° C	6,5 J	
T16 / G5	T26	
OSRAM: T6 PHILIPS: TL5	OSRAM: T6 PHILIPS: TL-D	
T16 R > 90%	T16 R > 90%	

- Diffuser in transparent self-extinguishing V2 polycarbonate, UV stabilised, injection moulded, with smooth outer surface and differentiated prismatic inner surface.



Description	Conventional Ballast and capacitor Code	Electronic Ballast Code
A3F 921x18W T26	523012	523013
A3F 921x36W T26	523112	523113
A3F 921x58W T26	523152	523153
A3F 922x18W T26	523022	523023
A3F 922x36W T26	523122	523123
A3F 922x58W T26	523162	523163
A3F 921x25/28W T16		523233
A3F 921x32/35W T16		523253
A3F 921x45/49W T16		523333
A3F 921x50/54W T16		523353
A3F 921x73/80W T16		523393
A3F 922x25/28W T16		523243
A3F 922x32/35W T16		523263
A3F 922x45/49W T16		523343
A3F 922x50/54W T16		523363
A3F 922x73/80W T16		523403

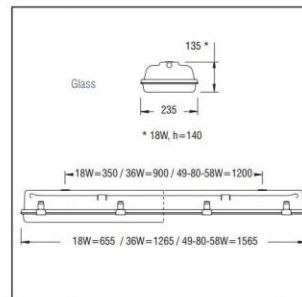
Number of the luminaire's lamps: the third digit of the first number (at the description) corresponds to the number of lamps eg 921x18W = 1x18W.

#### BETA A3F 93



CE	F	IP 65
850° C	6,5 J	
T16 / G5	T26	
OSRAM: T6 PHILIPS: TL5	OSRAM: T6 PHILIPS: TL-D	
T16 R > 70%	T16 R > 70%	

- Transparent tempered glass, sealing gasket, single-piece perimetrical frame in stainless steel.

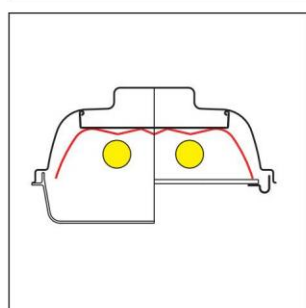


Description	Conventional Ballast and capacitor Code	Electronic Ballast Code
A3F 931x18W T26	524012	524013
A3F 931x36W T26	524112	524113
A3F 931x58W T26	524152	524153
A3F 932x18W T26	524022	524023
A3F 932x36W T26	524122	524123
A3F 932x58W T26	524162	524163
A3F 931x25/28W T16		524233
A3F 931x32/35W T16		524253
A3F 931x45/49W T16		524333
A3F 931x50/54W T16		524353
A3F 931x73/80W T16		524393
A3F 932x25/28W T16		524243
A3F 932x32/35W T16		524263
A3F 932x45/49W T16		524343
A3F 932x50/54W T16		524363
A3F 932x73/80W T16		524403

Number of the luminaire's lamps: the third digit of the first number (at the description) corresponds to the number of lamps eg 931x18W = 1x18W.

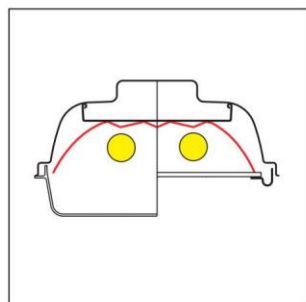
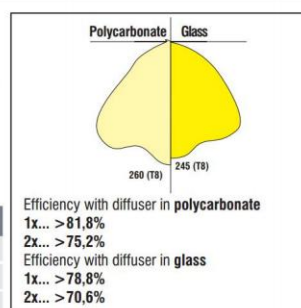
## LUMINAIRES WITH EXTRA PROTECTION

### BETA i3F / A3F - ACCESSORIES - RECUPERATORS



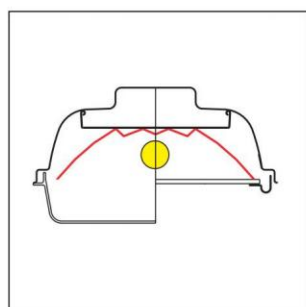
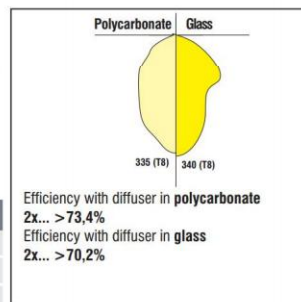
- Wide distribution 1x... & 2x...  
Parabolic flow recuperator for wide distribution, in specular aluminium. Applications in environments from 3 to 7m high.

Code	Description
502201	Recup. AMPIO for lum. 1-2x36W
502202	Recup. AMPIO for lum. 1-2x58W
502203	Recup. AMPIO for lum. 1-2x49/80W



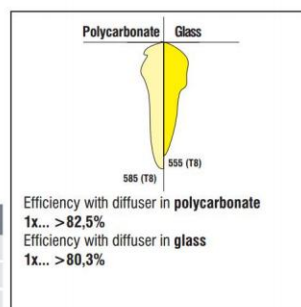
- Concentrated distribution 2x...  
Parabolic flow recuperator for concentrated distribution in specular aluminium. Applications in environments from 5 to 10m high.

Code	Description
502204	Recup. CONC. for lum. 2x36W
502205	Recup. CONC. for lum. 2x58W
502206	Recup. CONC. for lum. 2x80W



- Concentrated distribution 1x...  
Flow recuperator for super-concentrated distribution, in specular aluminium. Applications in store aisles or for localized lighting.

Code	Description
502204	Recup. CONC. for lum. 2x36W
502205	Recup. CONC. for lum. 2x58W
502206	Recup. CONC. for lum. 2x80W



### HOOKS



- Pair of hooks for suspended installation with nuts and bolts for luminaire fastening.

Code	Description
502304	13DH (galvanized steel) for i3F
502301	13HC (stainless steel) for A3F

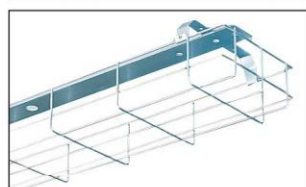
### MOUNTING BRACKETS



- Pair of mounting brackets and hooks for wall mounting with nuts and bolts for luminaire fastening, everything in stainless steel.

Code	Description
502303	15CD for A3F

### WIRE- GUARD



- **Wire-guard** for applications in dry environments, against shocks coming from any directions, in galvanized rod  $\varnothing$ 5mm.

Code	Description	Dimensions
201301	<b>12 BX</b> (for lum. 36W T26, 25/28-50/54W T16)	280 x 1330 x 130
201304	<b>12 LB</b> (for lum. 58W T26, 32/35-45/49-73/80W T16)	280 x 1630 x 130

LUMINAIRES WITH EXTRA PROTECTION

BETA i3F / A3F



LUMINAIRES WITH EXTRA PROTECTION

BETA i3F / A3F

