

3F CUB



Technical Features

- Luminaires for fluorescent lamps compact.
- Aluminium body electrostatically painted in white colour.
- Stainless steel clips.

- Connection for operation on 230V-50/60Hz with electronic ballast.
- Connection for operation with electronic ballast dimmable.
- Connection for emergency lighting system.

Upon request



Explosion-proof luminaires IP64 with electronic ballast, class II, in compliance with 94/9/CE (ATEX), group II, category 3D, for Zone 22.

LUMINAIRES WITH EXTRA PROTECTION

3F CUB

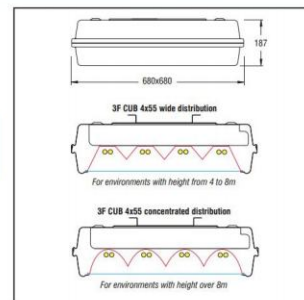
3F CUB R90



CE	F	IP 43
960° C	TC-L	D
OSRAM: DULUX L PHILIPS: PL-L		
E>85	E>90%	
Recuperator with wide distribution	Recuperator with concentrated distribution	

- Flow recuperator with wide or concentrated distribution, from non-iridescent specular aluminium with superficial titanium-magnesium treatment.

Code	Description	
Wide flow recuperator		
3F 5600	3F CUB R90 4x55 TC-L / 2G11	5600
3F 5601	3F CUB R90 6x55 TC-L / 2G11	5601
Concentrated flow recuperator		
3F 5606	3F CUB R90 4x55 CONC TC-L / 2G11	5606



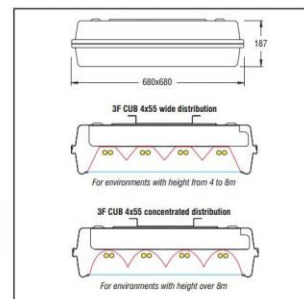
3F CUB IP64



CE	F	IP 64
960° C	VT	6,5 L
OSRAM: DULUX L PHILIPS: PL-L		
E>70%	E>85%	
Recuperator with wide distribution	Recuperator with concentrated distribution	

- Flow recuperator with wide or concentrated distribution, from non-iridescent specular aluminium with superficial titanium-magnesium treatment.
- Cover from transparent non-combustible tempered glass (VT). Ecologic anti-aging injected sealing gaskets.

Code	Description	
Wide flow recuperator		
3F 5610	3F CUB 4x55 VT IP64 TC-L / 2G11	5610
Concentrated flow recuperator		
3F 5612	3F CUB 4x55 CONC VT IP64 TC-L / 2G11	5612



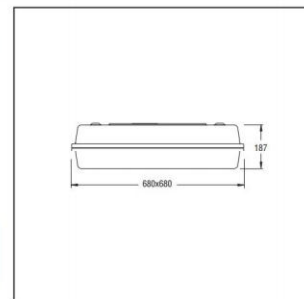
3F CUB COM



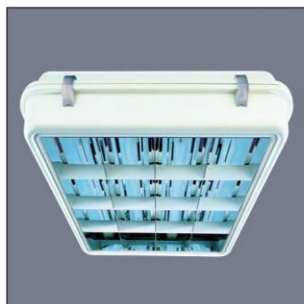
CE	F	IP 43
960° C		D
OSRAM: DULUX L PHILIPS: PL-L		
E>80%		

- COM louvre with parabolic transverse blades from white aluminium and longitudinal double-parabolic reflectors from non-iridescent specular aluminium with superficial titanium-magnesium treatment.
- Flow recuperator from non-iridescent specular aluminium with superficial titanium-magnesium treatment.

Code	Description	
3F 45500	3F CUB 4x55 CR COM TC-L / 2G11	45500



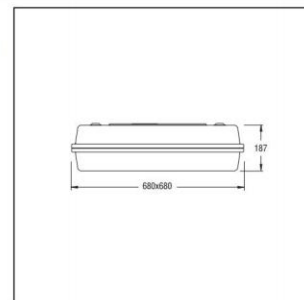
3F CUB COM IP64



CE	F	IP 64
960° C	650° C	6,5 L
VT	SP	VT
OSRAM: DULUX L PHILIPS: PL-L		
E>73%		

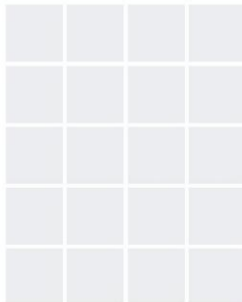
- COM louvre with parabolic transverse blades from white aluminium and longitudinal double-parabolic reflectors from non-iridescent specular aluminium with superficial titanium-magnesium treatment.
- Flow recuperator from non-iridescent specular aluminium with superficial titanium-magnesium treatment.
- Cover from transparent non-combustible tempered glass (VT) or transparent methacrylate anti-aging diffuser (SP). Ecologic anti-aging injected sealing gaskets.

Code	Description	
3F 45505	3F CUB 4x55 CR COM VT IP64 TC-L / 2G11	45505
3F 45509	3F CUB 4x55 CR COM SP IP64 TC-L / 2G11	45509

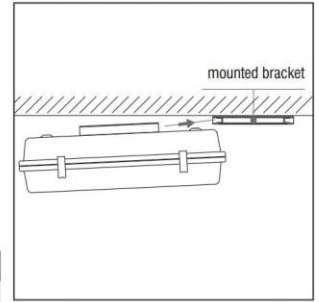


3F CUB - ACCESSORIES

CEILING MOUNTED BRACKET

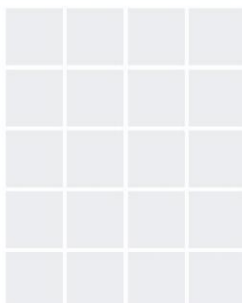
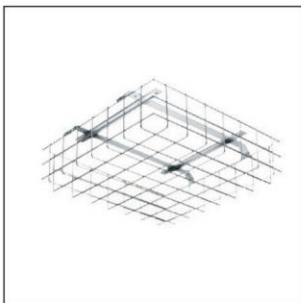


- Ceiling-mounted bracket in hot-galvanized steel, spaces the 3F Cub from the ceiling by 60mm.

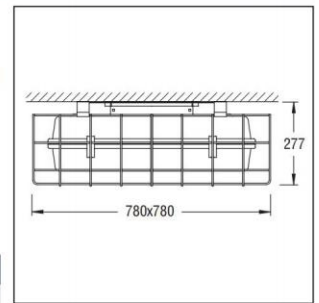


Code	Description
3F 0213	CEILING-MOUNTED BRACKET 0213

WIRE-GUARD



- Wire-guard applications in dry environments, against shocks coming from any directions, in galvanized steel rod \varnothing 5mm. To install it, ceiling-mounted bracket code 0213 is always necessary.



Code	Description
3F 0210	WIRE-GUARD 0210



3F CUB - ACCESSORIES

