

T700 KADRO

T700 KADRO is a deep trimless recessed compact spot with rotation. It can satisfy multiple lighting requirements thanks to its wide variety of modules, and it highlights impressively premises, such as shopping malls, stores, hotels, exhibition halls, museums etc.

A LED version is also available and it is guaranteed by the use of last generation light sources, which ensure excellent performance with maximum energy efficiency. This, in combination with an efficient thermal management, makes T700 KADRO a warranty for premium lighting with LED technology.

Technical Features

- Trimless recessing frame, painted electrostatically in selected colour from die-cast aluminium.
- Deep steel cover.
- Outer adjustable ring from die-cast aluminium.
- Inner ring for easy lamp replacement.
- High pure aluminium reflectors in Spot, Medium, Wide versions.
- Tempered protection glass.
- Easy mounting.

Upon request:

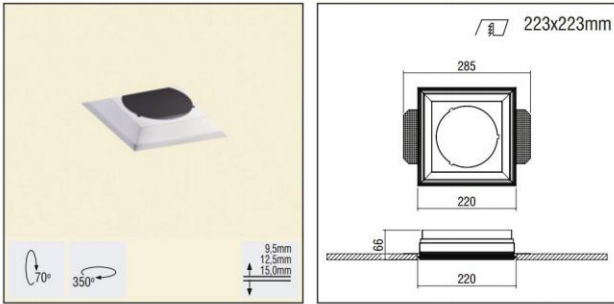
Available with highest colour rendering index (CRI)

For LED Version

- Pure light without IR/UV radiation.
- Die cast aluminum heatsink anodized.
- Efficient thermal management.
- 1800 lumen in 22W neutral edition or 2830 lumen in 30W.
- Operation life: 50,000 hours with efficiency > 70% of the initial luminous flux.
- Connection for operation with Constant Current.

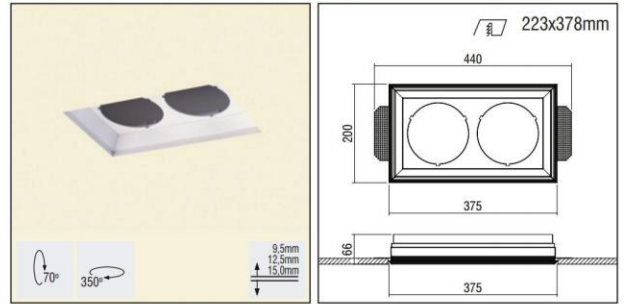
T700 KADRO

T700 KADRO 1x... Fitting



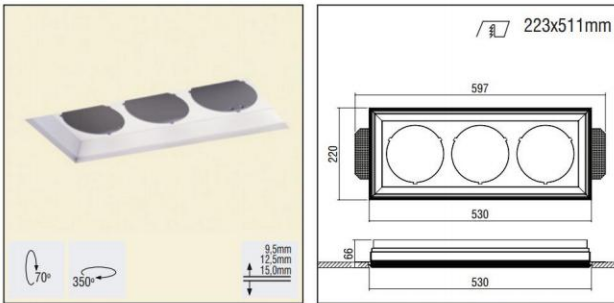
Code	Description	Kg
86271	T700 KADRO 1x...	0,730

T710 KADRO 2x... Fitting



Code	Description	Kg
86272	T710 KADRO 2x...	1,050

T720 KADRO 3x... Fitting



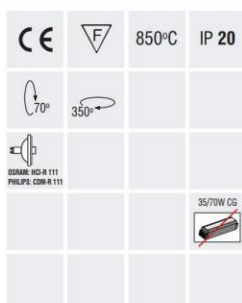
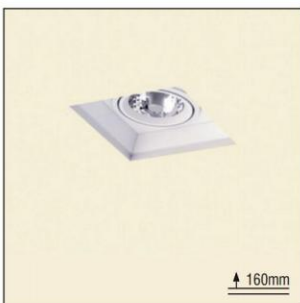
Code	Description	Kg
86273	T720 KADRO 3x...	1,450

EXAMPLE

T720 KADRO 3x...		MODULE FLAT 60 HIT-CE/G12 MEDIUM		BALLAST 70W ELECTRONIC	
CODE	PIECE	CODE	PIECE	CODE	PIECE
86273	1	80611	3	498323	3

T700 KADRO + Module 60 POSIDON HI-PAR 111

Module 60 POSIDON HI-PAR 111



- Version for HI-PAR 111/GX8,5.
- Outer adjustable ring from die-cast aluminium.
- Inner ring for easy lamp replacement.

Code	Description	Kg
80615	Module 60 POSIDON HI-PAR 111/GX8.5	0,250



T700 KADRO

T710 KADRO + Module 60 DIONISOS QR111

Module 60 DIONISOS QR111



CE	F	850°C	IP 20
70°	350°		
OSRAM HALOPOIT 111 PHILIPS ALCORE 111			60/70/115W 12V

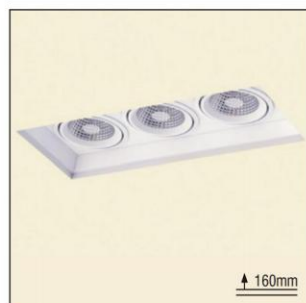
- Version for QR111/G53.
- Outer adjustable ring from die-cast aluminium.
- Inner ring for easy lamp replacement.

Code	Description	Kg
80610	Module 60 DIONISOS QR111/G53	0,250



T720 KADRO + Module 60 APOLLON HIT-CE

Module 60 APOLLON HIT-CE



CE	F	850°C	IP 20
70°	350°		
OSRAM HIT-T PHILIPS CDM-T			35/70/150W CG

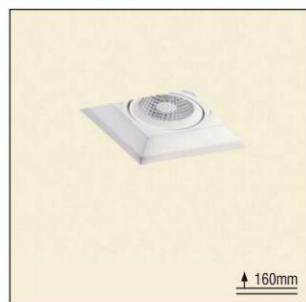
- Version for HIT-CE/G12.
- Outer adjustable ring from die-cast aluminium.
- Inner ring for easy lamp replacement.
- High pure aluminium reflectors in Spot, Medium, Wide.
- Tempered protection glass.

Code	Description	Kg
80612	Module 60 APOLLON HIT-CE/G12 SPOT	0,500
80611	Module 60 APOLLON HIT-CE/G12 MEDIUM	0,500
80619	Module 60 APOLLON HIT-CE/G12 WIDE	0,500



T700 KADRO + Module 60 IFESTOS HIT-TC-CE

Module 60 IFESTOS HIT-TC-CE



CE	F	850°C	IP 20
70°	350°		
OSRAM HIT-TC PHILIPS CDM-TC			20/35/70W CG

- Version for HIT-TC-CE/G8,5.
- Outer adjustable ring from die-cast aluminium.
- Inner ring for easy lamp replacement.
- High pure aluminium reflectors in Spot, Medium, Wide.
- Tempered protection glass.

Code	Description	Kg
80614	Module 60 IFESTOS HIT-TC-CE /G8,5 SPOT	0,500
80613	Module 60 IFESTOS HIT-TC-CE /G8,5 MEDIUM	0,500
80620	Module 60 IFESTOS HIT-TC-CE /G8,5 WIDE	0,500



T710 KADRO + Module 60 ARIS LED R111

Module 60 ARIS LED R111



CE	F	850°C	IP 20
70°	350°		
LED			

- Version for LED R111/GU10.
- Outer adjustable ring from die-cast aluminium.
- Inner ring for easy lamp replacement.
- Connection for 230V/50Hz.

Code	Description	Kg
80616	Module 60 ARIS LED R111/GU10/230V	0,300



T720 KADRO + Module 60 DIAS LED

Module 60 DIAS LED



CE	F	850°C	IP 20
70°	350°		
LED			
		ta 25°C	500/700mA CG

- Version with LED Module.
 - Outer adjustable ring from die-cast aluminium.
 - Inner ring for easy lamp replacement.
 - 22W power consumption driven at 500mA.
 - 30W power consumption driven at 700mA.
 - Efficiency:
- | | |
|------|----------------------------------|
| 22W: | 4000 K: 1800 Lumen, CRI: min. 75 |
| 22W: | 3000 K: 1800 Lumen, CRI: min. 80 |
| 30W: | 4000 K: 2830 Lumen, CRI: min. 75 |
| 30W: | 3000 K: 2830 Lumen, CRI: min. 80 |
| | Maximum: 95 Lm/W |

Code	Description	Kg
80618	Module 60 DIAS LED CHIP 22W	0,750
80621	Module 60 DIAS LED CHIP 30W	0,900



T700 KADRO

T700 KADRO + Module 60 KRONOS HIT-TC-CE

Module 60 KRONOS HIT-TC-CE



CE	F	850°C	IP 20
60°	350°		
HIT-TC-CE/GU6,5		20/35W CG	
GU6,5			

- Version for HIT-TC-CE/GU6,5.
- Outer adjustable ring from die-cast aluminium.
- Die-cast aluminium spot inside.
- High pure aluminium reflectors in Spot, Medium, Wide.
- Tempered protection glass.

Code	Description	Kg
80648	Module 60 KRONOS HIT-TC-CE /GU6,5 SPOT	0,940
80649	Module 60 KRONOS HIT-TC-CE /GU6,5 MEDIUM	0,940
80650	Module 60 KRONOS HIT-TC-CE /GU6,5 WIDE	0,940



T700 KADRO + Module 60 KRONOS LED

Module 60 KRONOS LED



CE	F	850°C	IP 20
60°	350°		
LED	500mA CG	25°C	

- Version with LED Module.
- Outer adjustable ring from die-cast aluminium.
- Die-cast aluminium spot inside.
- 22W power consumption driven at 500mA.
- Efficiency:
22W: 4000 K: 1800 Lumen, CRI: min. 75
22W: 3000 K: 1800 Lumen, CRI: min. 80
Maximum: 95 Lm/W

Code	Description	Kg
80622	Module 60 KRONOS LED CHIP 22W	0,940

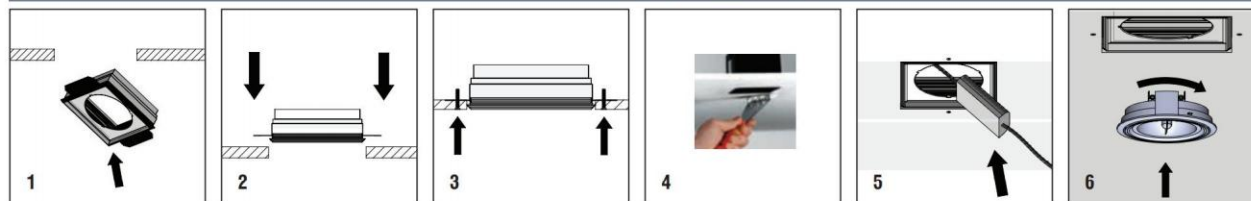


LED COLOUR CODES:
2 Warm 3 Neutral

BEAM CODES:
01 spot 02 medium 03 wide

Colour Codes:
0 Colours 1 White 2 Titan 3 Black 4 Chrome 5 matt Alum.

INSTALLATION



DRIVERS						
LED LUMINAIRES DESCRIPTION	N° Modules		DIMMER TYPE	DIMENSIONS mm	CODE	
	min.	max.				
MODULE 60 IFESTOS G8,5	1	1	20W HIT Electronic		498113	
MODULE 60 APOLLON/IFESTOS/POSIDON G12/G8,5/GX8,5	1	1	35W HIT Electronic		498223	
MODULE 60 APOLLON/IFESTOS/POSIDON G12/G8,5/GX8,5	1	1	35W HIT Magnetic AVO		498222	
MODULE 60 APOLLON/IFESTOS/POSIDON G12/G8,5/GX8,5	1	1	70W HIT Electronic		498323	
MODULE 60 APOLLON/IFESTOS/POSIDON G12/G8,5/GX8,5	1	1	70W HIT Magnetic DISPLAY		498312	
MODULE 60 APOLLON G12	1	1	150W HIT Electronic		498623	
MODULE 60 APOLLON G12	1	1	150W HIT Magnetic DISPLAY		498612	
MODULE 60 DIONISOS G53	1	-	60W 12V DC		800005	
MODULE 60 DIONISOS G53	1	-	70W 12V DC		800006	
MODULE 60 DIONISOS G53	1	-	105W 12V DC		800007	
MODULE 60 DIAS/KRONOS LED 22W CG	1	1	500mA 30W IP20 (dimensions 156 x 50 x 23)		498706	
MODULE 60 DIAS LED 30W CG	1	1	700mA 30W IP20 (dimensions 156 x 50 x 23)		498705	

DIMMER DRIVERS						
LED LUMINAIRES DESCRIPTION	N° Modules		DIMMER TYPE	DIMENSIONS mm	CODE	
	min.	max.				
MODULE 60 DIAS/KRONOS LED 22W CG	1	1	500mA 32W IP20	1-10Vdc/Push Button*	123 x 80 x 22	498703
MODULE 60 DIAS/KRONOS LED 22W CG	1	1	500mA 32W IP20	1-10Vdc/Push Button/Dali*	123 x 80 x 22	498704
MODULE 60 DIAS LED 30W CG	1	1	700mA 50W IP20	1-10Vdc/Push Button*	123 x 80 x 22	498703
MODULE 60 DIAS LED 30W CG	1	1	700mA 50W IP20	1-10Vdc/Push Button/Dali*	123 x 80 x 22	498704

* Please order synchronization cable for each dimmer driver separately - Code: 800044 (4m)