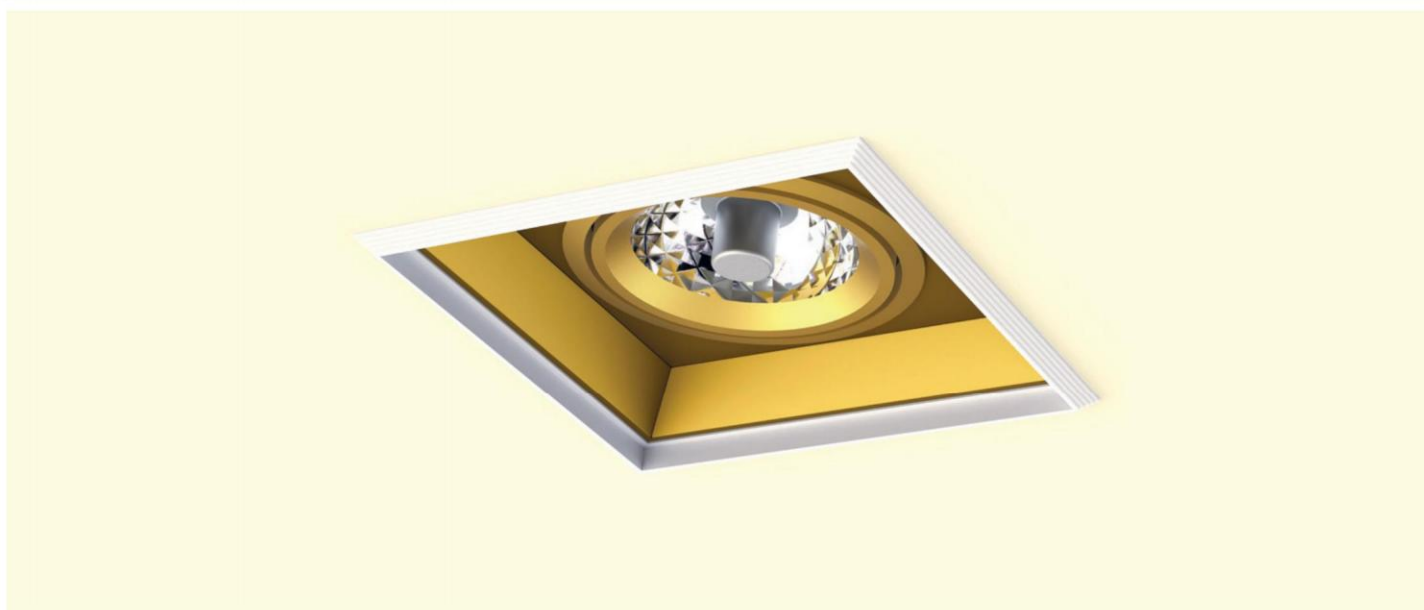


T800 KADRO

T800 KADRO is a deep recessed compact spot with rotation. It can satisfy multiple lighting requirements thanks to its wide variety of modules, and it highlights impressively premises, such as shopping malls, stores, hotels, exhibition halls, museums etc.

A LED version is also available and it is guaranteed by the use of last generation light sources, which ensure excellent performance with maximum energy efficiency. This, in combination with an efficient thermal management, makes T800 KADRO a warranty for premium lighting with LED technology.

Technical Features

- Aluminium recessing frame, painted electrostatically in selected colour.
- Deep steel cover.
- Outer adjustable ring from die-cast aluminium.
- Inner ring for easy lamp replacement.
- High pure aluminium reflectors in Spot, Medium, Wide versions.
- Tempered protection glass.
- Easy mounting with clips.

Upon request:

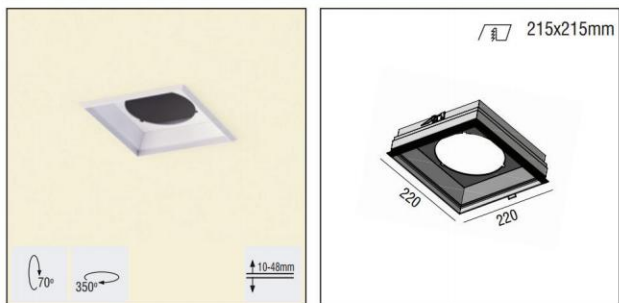
Available with highest colour rendering index (CRI)

For LED Version

- Pure light without IR/UV radiation.
- Die cast aluminum heatsink anodized.
- Efficient thermal management.
- 1800 lumen in 22W neutral edition or 2830 lumen in 30W.
- Operation life: 50,000 hours with efficiency > 70% of the initial luminous flux.
- Connection for operation with Constant Current.

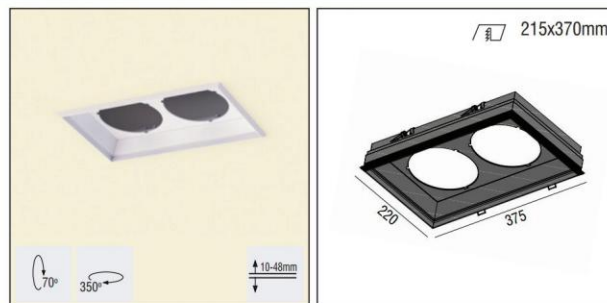
T800 KADRO

T800 KADRO 1x... Fitting



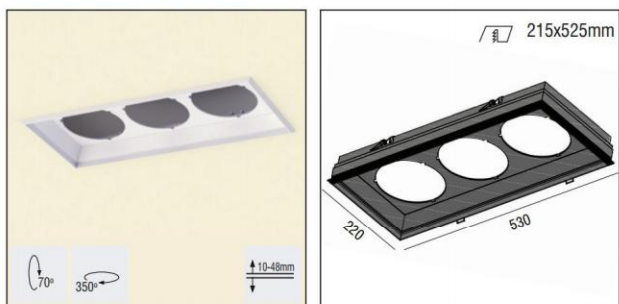
| Code | Description | Kg |
|-------|------------------|-------|
| 86277 | T800 KADRO 1x... | 0,730 |

T810 KADRO 2x... Fitting



| Code | Description | Kg |
|-------|------------------|-------|
| 86278 | T810 KADRO 2x... | 1,100 |

T820 KADRO 3x... Fitting



| Code | Description | Kg |
|-------|------------------|-------|
| 86279 | T820 KADRO 3x... | 1,450 |

EXAMPLE

| | | | | | |
|--|--------------|---|--------------|---|--------------|
|  <p>T810 KADRO 2x...</p> | |  <p>MODULE FLAT 60 HIT-CE/G12 MEDIUM</p> | |  <p>BALLAST 70W ELECTRONIC</p> | |
| CODE | PIECE | CODE | PIECE | CODE | PIECE |
| 86278 | 1 | 80611 | 2 | 498323 | 2 |

T800 KADRO + Module 60 POSIDON HI-PAR 111

Module 60 POSIDON HI-PAR 111



| | | | |
|--|------|-------|-------|
| CE | F | 850°C | IP 20 |
| 70° | 350° | | |
|  <p>35/70W CG</p> | | | |

- Version for HI-PAR 111/GX8,5.
- Outer adjustable ring from die-cast aluminium.
- Inner ring for easy lamp replacement.

| Code | Description | Kg |
|-------|------------------------------------|-------|
| 80615 | Module 60 POSIDON HI-PAR 111/GX8.5 | 0,250 |



T800 KADRO

T810 KADRO + Module 60 DIONISOS QR111

Module 60 DIONISOS QR111



| | | | |
|--|------|-------|----------------|
| CE | F | 850°C | IP 20 |
| 70° | 350° | | |
| OSRAM HALOPOY 111 PHILIPS HALOENE 111 | | | 60/70/115W 12V |

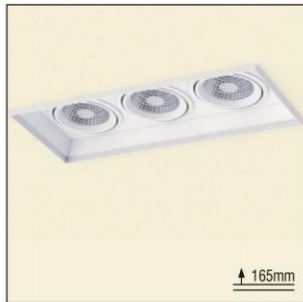
- Version for QR111/G53.
- Outer adjustable ring from die-cast aluminium.
- Inner ring for easy lamp replacement.

| Code | Description | Kg |
|-------|------------------------------|-------|
| 80610 | Module 60 DIONISOS QR111/G53 | 0,250 |



T820 KADRO + Module 60 APOLLON HIT-CE

Module 60 APOLLON HIT-CE



| | | | |
|-------------------------------|------|-------|---------------|
| CE | F | 850°C | IP 20 |
| 70° | 350° | | |
| OSRAM HELL-T PHILIPS CDM-T | | | 35/70/150W G9 |

- Version for HIT-CE/G12.
- Outer adjustable ring from die-cast aluminium.
- Inner ring for easy lamp replacement.
- High pure aluminium reflectors in Spot, Medium, Wide.
- Tempered protection glass.

| Code | Description | Kg |
|-------|-------------------------------------|-------|
| 80612 | Module 60 APOLLON HIT-CE/G12 SPOT | 0,500 |
| 80611 | Module 60 APOLLON HIT-CE/G12 MEDIUM | 0,500 |
| 80619 | Module 60 APOLLON HIT-CE/G12 WIDE | 0,500 |



T800 KADRO + Module 60 IFESTOS HIT-TC-CE

Module 60 IFESTOS HIT-TC-CE



| | | | |
|---------------------------------|------|-------|--------------|
| CE | F | 850°C | IP 20 |
| 70° | 350° | | |
| OSRAM HELL-TC PHILIPS CDM-TC | | | 20/35/70W G9 |

- Version for HIT-TC-CE/G8,5.
- Outer adjustable ring from die-cast aluminium.
- Inner ring for easy lamp replacement.
- High pure aluminium reflectors in Spot, Medium, Wide.
- Tempered protection glass.

| Code | Description | Kg |
|-------|--|-------|
| 80614 | Module 60 IFESTOS HIT-TC-CE /G8,5 SPOT | 0,500 |
| 80613 | Module 60 IFESTOS HIT-TC-CE /G8,5 MEDIUM | 0,500 |
| 80620 | Module 60 IFESTOS HIT-TC-CE /G8,5 WIDE | 0,500 |



T810 KADRO + Module 60 ARIS LED R111

Module 60 ARIS LED R111



| | | | |
|-----|------|-------|-------|
| CE | F | 850°C | IP 20 |
| 70° | 350° | | |
| LED | | | |
| | | | |

- Version for LED R111/GU10.
- Outer adjustable ring from die-cast aluminium.
- Inner ring for easy lamp replacement.
- Connection for 230V/50Hz.

| Code | Description | Kg |
|-------|-----------------------------------|-------|
| 80616 | Module 60 ARIS LED R111/GU10/230V | 0,300 |



T820 KADRO + Module 60 DIAS LED

Module 60 DIAS LED



| | | | |
|-----|------|---------|--------------|
| CE | F | 850°C | IP 20 |
| 70° | 350° | | |
| LED | | | |
| | | ta 25°C | 500/700mA G9 |

- Version with LED Module.
- Outer adjustable ring from die-cast aluminium.
- Inner ring for easy lamp replacement.
- 22W power consumption driven at 500mA.
- 30W power consumption driven at 700mA.
- Efficiency:
 - 22W: 4000 K: 1800 Lumen, CRI: min. 75
 - 22W: 3000 K: 1800 Lumen, CRI: min. 80
 - 30W: 4000 K: 2830 Lumen, CRI: min. 75
 - 30W: 3000 K: 2830 Lumen, CRI: min. 80
- Maximum: 95 Lm/W

| Code | Description | Kg |
|-------|-----------------------------|-------|
| 80618 | Module 60 DIAS LED CHIP 22W | 0,750 |
| 80621 | Module 60 DIAS LED CHIP 30W | 0,900 |



T800 KADRO

T800 KADRO + Module 60 KRONOS HIT-TC-CE

Module 60 KRONOS HIT-TC-CE



| | | | |
|-----------------|------|-----------|-------|
| CE | F | 850°C | IP 20 |
| 60° | 350° | | |
| HIT-TC-CE/GU6,5 | | 20/35W CG | |
| GU6,5 | | | |

- Version for HIT-TC-CE/GU6,5.
- Outer adjustable ring from die-cast aluminium.
- Die-cast aluminium spot inside.
- High pure aluminium reflectors in Spot, Medium, Wide.
- Tempered protection glass.

| Code | Description | Kg |
|-------|--|-------|
| 80648 | Module 60 KRONOS HIT-TC-CE /GU6,5 SPOT | 0,940 |
| 80649 | Module 60 KRONOS HIT-TC-CE /GU6,5 MEDIUM | 0,940 |
| 80650 | Module 60 KRONOS HIT-TC-CE /GU6,5 WIDE | 0,940 |



T800 KADRO + Module 60 KRONOS LED

Module 60 KRONOS LED



| | | | |
|-----|----------|-------|-------|
| CE | F | 850°C | IP 20 |
| 60° | 350° | | |
| LED | 500mA CG | 25°C | |

- Version with LED Module.
- Outer adjustable ring from die-cast aluminium.
- Die-cast aluminium spot inside.
- 22W power consumption driven at 500mA.
- Efficiency:
22W: 4000 K: 1800 Lumen, CRI: min. 75
22W: 3000 K: 1800 Lumen, CRI: min. 80
Maximum: 95 Lm/W

| Code | Description | Kg |
|-------|-------------------------------|-------|
| 80622 | Module 60 KRONOS LED CHIP 22W | 0,940 |



LED COLOUR CODES:

2 Warm 3 Neutral

BEAM CODES:

01 spot 02 medium 03 wide

Colour Codes:

0 Colours 1 White 2 Titan 3 Black 4 Chrome 5 matt Alum.

| DRIVERS | | | | | | |
|--|------------|------|---|---------------|------|--------|
| LED LUMINAIRES DESCRIPTION | N° Modules | | DIMMER TYPE | DIMENSIONS mm | CODE | |
| | min. | max. | | | | |
| MODULE 60 IFESTOS G8,5 | 1 | 1 | 20W HIT Electronic | | | 498113 |
| MODULE 60 APOLLON/IFESTOS/POSIDON G12/G8,5/GX8,5 | 1 | 1 | 35W HIT Electronic | | | 498223 |
| MODULE 60 APOLLON/IFESTOS/POSIDON G12/G8,5/GX8,5 | 1 | 1 | 35W HIT Magnetic AVO | | | 498222 |
| MODULE 60 APOLLON/IFESTOS/POSIDON G12/G8,5/GX8,5 | 1 | 1 | 70W HIT Electronic | | | 498323 |
| MODULE 60 APOLLON/IFESTOS/POSIDON G12/G8,5/GX8,5 | 1 | 1 | 70W HIT Magnetic DISPLAY | | | 498312 |
| MODULE 60 APOLLON G12 | 1 | 1 | 150W HIT Electronic | | | 498623 |
| MODULE 60 APOLLON G12 | 1 | 1 | 150W HIT Magnetic DISPLAY | | | 498612 |
| MODULE 60 DIONISOS G53 | 1 | - | 60W 12V DC | | | 800005 |
| MODULE 60 DIONISOS G53 | 1 | - | 70W 12V DC | | | 800006 |
| MODULE 60 DIONISOS G53 | 1 | - | 105W 12V DC | | | 800007 |
| MODULE 60 DIAS/KRONOS LED 22W CG | 1 | 1 | 500mA 30W IP20 (dimensions 156 x 50 x 23) | | | 498706 |
| MODULE 60 DIAS LED 30W CG | 1 | 1 | 700mA 30W IP20 (dimensions 156 x 50 x 23) | | | 498705 |

| DIMMER DRIVERS | | | | | | |
|----------------------------------|------------|------|--|---------------|------|--------|
| LED LUMINAIRES DESCRIPTION | N° Modules | | DIMMER TYPE | DIMENSIONS mm | CODE | |
| | min. | max. | | | | |
| MODULE 60 DIAS/KRONOS LED 22W CG | 1 | 1 | 500mA 32W IP20 1-10Vdc/Push Button* | 123 x 80 x 22 | | 498703 |
| MODULE 60 DIAS/KRONOS LED 22W CG | 1 | 1 | 500mA 32W IP20 1-10Vdc/Push Button/Dali* | 123 x 80 x 22 | | 498704 |
| MODULE 60 DIAS LED 30W CG | 1 | 1 | 700mA 50W IP20 1-10Vdc/Push Button* | 123 x 80 x 22 | | 498703 |
| MODULE 60 DIAS LED 30W CG | 1 | 1 | 700mA 50W IP20 1-10Vdc/Push Button/Dali* | 123 x 80 x 22 | | 498704 |

* Please order synchronization cable for each dimmer driver separately - Code: 800044 (4m)