

SOL 2



An elegant luminaire with great flexibility and high performance. It's minimal almost invisible frame raises the architectural interest and impresses the observer. There are eight different modules of light sources can be intergrated. Thanks to it's optimal optical system, it offers precise, uniform light distribution and excellent lighting quality.

Technical Features

- Outer ring from die-cast aluminium.
- Inner adjustable ring from die-cast aluminium for easy lamp replacement.
- High pure aluminium reflectors in Spot, Medium, Wide versions.
- Tempered protection glass.
- Easy mounting with clips.

For LED Version

- Pure light without IR/UV radiation.
- Die cast aluminum heatsink anodized.
- Efficient thermal management.
- 1800 lumen in 22W neutral edition.
- Operation life: 50,000 hours with efficiency > 70% of the initial luminous flux.
- Connection for operation with Constant Current.

Upon request:

Available with highest colour rendering index (CRI)

SOL 2

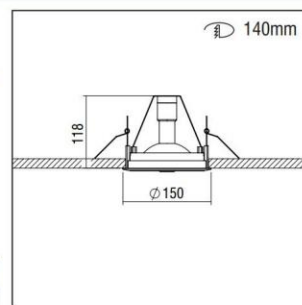
SOL 2 - HI-PAR 111



CE	F	850°C	IP 20
60°	0°	±10-45mm	
OSRAM: HSI-R 111 PHILIPS: COM-R 111			35/70W G8

- Version for HI-PAR 111/GX8,5.
- Outer ring from die-cast aluminium.
- Inner adjustable ring from die-cast aluminium for easy lamp replacement.

Code	Description	Kg
86824	SOL 2 35/70W HI-PAR 111/GX8,5	0,300



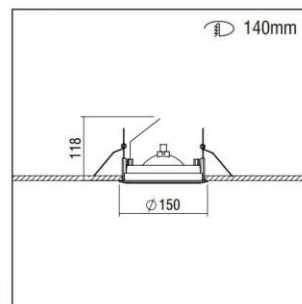
SOL 2 - QR111



CE	F	850°C	IP 20
60°	0°	±10-45mm	
OSRAM: HALOSPOT 111 PHILIPS: ALIANCE 111			50/105W G53

- Version for QR111/G53.
- Outer ring from die-cast aluminium.
- Inner adjustable ring from die-cast aluminium for easy lamp replacement.

Code	Description	Kg
86823	SOL 2 max.105W QR111/G53	0,300



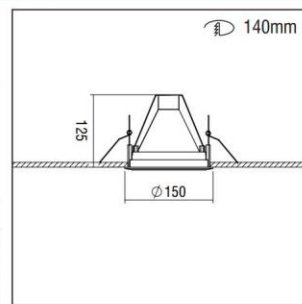
SOL 2 - G12



CE	F	850°C	IP 20
60°	0°	±10-45mm	
OSRAM: HSI-T PHILIPS: COM-T			35/70/150W G8

- Version for HIT-CE/G12.
- Outer ring from die-cast aluminium.
- Inner adjustable ring from die-cast aluminium for easy lamp replacement.
- High pure aluminium reflectors in Spot, Medium, Wide.
- Tempered protection glass.

Code	Description	Kg
86829	SOL 2 35/70/150W HIT-CE/G12 SPOT	0,550
86831	SOL 2 35/70W HIT-CE/G12 MEDIUM	0,550
86828	SOL 2 35/70W HIT-CE/G12 WIDE	0,550



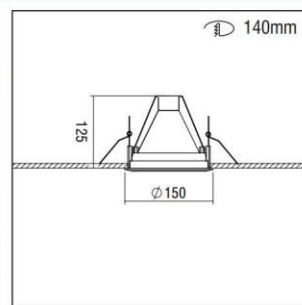
SOL 2 - G8,5



CE	F	850°C	IP 20
60°	0°	±10-45mm	
OSRAM: HSI-TC PHILIPS: COM-TC			20/35/70W G8

- Version for HIT-TC-CE/G8,5.
- Outer ring from die-cast aluminium.
- Inner adjustable ring from die-cast aluminium for easy lamp replacement.
- High pure aluminium reflectors in Spot, Medium, Wide.
- Tempered protection glass.

Code	Description	Kg
86827	SOL 2 20/35/70W HIT-TC-CE/G8,5 SPOT	0,550
86830	SOL 2 20/35/70W HIT-TC-CE/G8,5 MEDIUM	0,550
86826	SOL 2 20/35/70W HIT-TC-CE/G8,5 WIDE	0,550



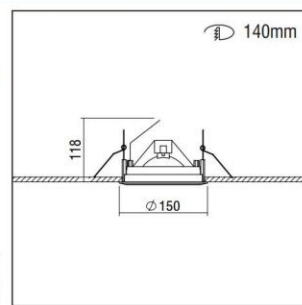
SOL 2 - LED R111



CE	F	850°C	IP 20
60°	0°	±10-45mm	
LED			

- Version for LED R111/GU10.
- Outer ring from die-cast aluminium.
- Inner adjustable ring from die-cast aluminium for easy lamp replacement.
- Connection for 230V/50Hz.

Code	Description	Kg
86846	SOL 2 LED R111/GU10	0,350



SOL 2

SOL 2 - LED CHIP

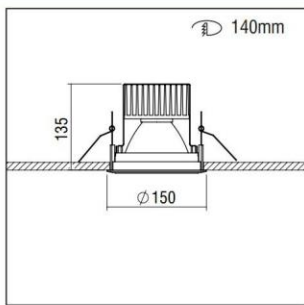


850°C IP 20

 ta 25°C

- Version with LED Module.
 - Outer ring from die-cast aluminium.
 - Inner adjustable ring from die-cast aluminium for easy lamp replacement.
 - 22W power consumption driven at 500mA.
 - Efficiency:
- 22W: 4000 K: 1800 Lumen, CRI: min. 75
 22W: 3000 K: 1800 Lumen, CRI: min. 80
 Maximum: 100 Lm/W

Code	Description	Kg
86839	SOL 2 LED CHIP 22W	0,800



LED COLOUR CODES:
 2 Warm 3 Neutral

BEAM CODES:
 01 spot 02 medium 03 wide

Colour Codes:
 0 Colours 1 White 2 Titan 3 Black 4 Chrome 5 matt Alum.

CONTROL GEAR - TRANSFORMERS					
DESCRIPTION	Type	CODE			
230V/12V 50W - Conventional	TRANSFORMER 12V	800001			
230V/12V 70W - Electronic	TRANSFORMER 12V	800006			
230V/12V 105W - Conventional	TRANSFORMER 12V	800002			
230V/12V 105W - Electronic	TRANSFORMER 12V	800007			
230V 35W HIT - Electronic	BALLAST	800009			
230V 70W HIT - HST - Electronic	BALLAST	800010			
230V 100W HST - Electronic	BALLAST	800011			
230V 150W HIT - HST - Electronic	BALLAST	800012			
Metal halide lamps (HIT) or high pressure sodium lamps (HST)		Conventional Control Gear & Capacitor		Electronic Control Gear	
		CODE		CODE	
35W HIT AVO	CONTROL GEAR	498222		498223	
70W HIT - HST Display	CONTROL GEAR	498312		498323	
70W HIT - HST (for lum. AVO - TEO)	CONTROL GEAR	498322			
150W HIT - HST	CONTROL GEAR	498612		498623	

SOL 2

