

## SOL 1 - SOL 1Q



A trimless luminaire with great flexibility and high performance. It's unique design, with the lamp position deeper from the ceiling level, raises the architectural interest and impresses the observer. There are two frames, round and square, in which eight different modules of light sources can be intergrated. Thanks to it's optimal optical system, it offers precise, uniform light distribution and excellent lighting quality.

### Technical Features

- Trimless recessing frame, in round or square shape, painted electrostatically in selected colour from die-cast aluminium.
- Double internal adjustable ring from die-cast aluminium.
- High pure aluminium reflectors in Spot, Medium, Wide versions.
- Tempered protection glass.
- Easy mounting.

#### For LED Version

- Pure light without IR/UV radiation.
- Die cast aluminum heatsink anodized.
- Efficient thermal management.
- 1800 lumen in 22W neutral edition or 2830 lumen in 30W.
- Operation life: 50,000 hours with efficiency > 70% of the initial luminous flux.
- Connection for operation with Constant Current.

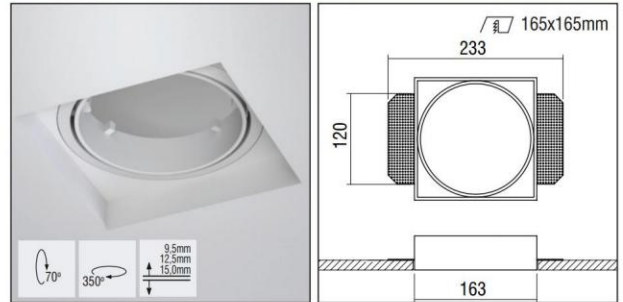
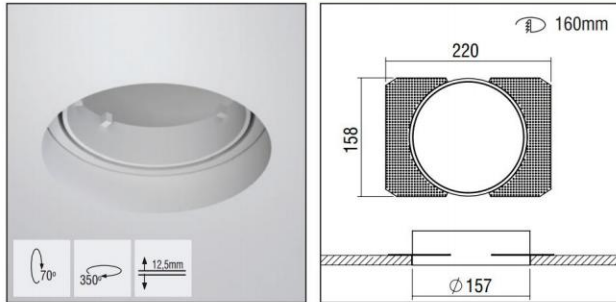
#### Upon request:

Available with highest colour rendering index (CRI)

SOL 1 - SOL 1Q

SOL 1 Fitting

SOL 1Q Fitting



Code	Description	Kg
86808	SOL 1	0,260

Code	Description	Kg
86819	SOL 1Q	0,520



EXAMPLE

					
<b>CODE</b>	<b>PIECE</b>	<b>CODE</b>	<b>PIECE</b>	<b>CODE</b>	<b>PIECE</b>
86819	1	80610	1	800007	1

SOL 1Q + Module 60 DIONISOS QR111

Module 60 DIONISOS QR111



CE	F	850°C	IP 20
			
			
			

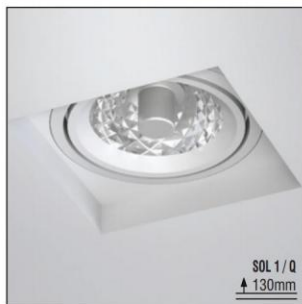
- Version for QR111/G53.
- Outer adjustable ring from die-cast aluminium.
- Inner ring for easy lamp replacement.


Code	Description	Kg
80610	Module 60 DIONISOS QR111/G53	0,250



SOL 1 + Module 60 POSIDON HI-PAR 111

Module 60 POSIDON HI-PAR 111



CE	F	850°C	IP 20
			
			
			

- Version for HI-PAR 111/GX8,5.
- Outer adjustable ring from die-cast aluminium.
- Inner ring for easy lamp replacement.

Code	Description	Kg
80615	Module 60 POSIDON HI-PAR 111/GX8.5	0,250



SOL 1 + Module 60 APOLLON HIT-CE

Module 60 APOLLON HIT-CE



CE	F	850°C	IP 20
			
			
			

- Version for HIT-CE/G12.
- Outer adjustable ring from die-cast aluminium.
- Inner ring for easy lamp replacement.
- High pure aluminium reflectors in Spot, Medium, Wide.
- Tempered protection glass.

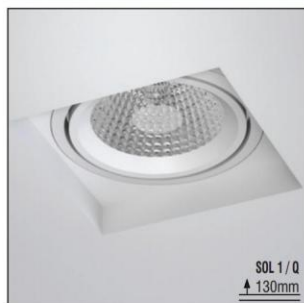
Code	Description	Kg
80612	Module 60 APOLLON HIT-CE/G12 SPOT	0,500
80611	Module 60 APOLLON HIT-CE/G12 MEDIUM	0,500
80619	Module 60 APOLLON HIT-CE/G12 WIDE	0,500



SOL 1 - SOL 1Q

SOL 1Q + Module 60 IFESTOS HIT-TC-CE

Module 60 IFESTOS HIT-TC-CE



CE	F	850°C	IP 20
70°	350°		
OSRAM: HCL-TC PHILIPS: CDM-Tc		20/35/70W CG	

- Version for HIT-TC-CE/G8,5.
- Outer adjustable ring from die-cast aluminium.
- Inner ring for easy lamp replacement.
- High pure aluminium reflectors in Spot, Medium, Wide.
- Tempered protection glass.

Code	Description	Kg
80614	Module 60 IFESTOS HIT-TC-CE /G8,5 SPOT	0,500
80613	Module 60 IFESTOS HIT-TC-CE /G8,5 MEDIUM	0,500
80620	Module 60 IFESTOS HIT-TC-CE /G8,5 WIDE	0,500



SOL 1 + Module 60 ARIS LED R111

Module 60 ARIS LED R111



CE	F	850°C	IP 20
70°	350°		
LED			

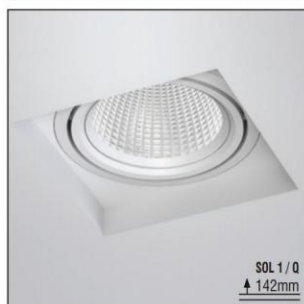
- Version for LED R111/GU10.
- Outer adjustable ring from die-cast aluminium.
- Inner ring for easy lamp replacement.
- Connection for 230V/50Hz.

Code	Description	Kg
80616	Module 60 ARIS LED R111/GU10/230V	0,300



SOL 1Q + Module 60 DIAS LED

Module 60 DIAS LED



CE	F	850°C	IP 20
70°	350°		
LED		ta 25°C	500/700mA CG

- Version with LED Module.
- Outer adjustable ring from die-cast aluminium.
- Inner ring for easy lamp replacement.
- 22W power consumption driven at 500mA.
- 30W power consumption driven at 700mA.
- Efficiency:

Code	Description	Kg
80618	Module 60 DIAS LED CHIP 22W	0,750
80621	Module 60 DIAS LED CHIP 30W	0,900



SOL 1 + Module 60 KRONOS HIT-TC-CE

Module 60 KRONOS HIT-TC-CE



CE	F	850°C	IP 20
60°	350°		
HIT-TC-CE/GU6,5		20/35W CG	
OSRAM: HCL-TC PHILIPS: CDM Tc			

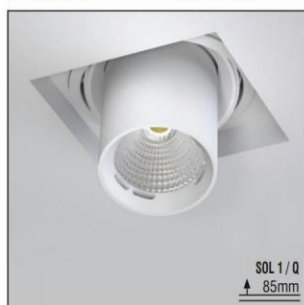
- Version for HIT-TC-CE/GU6,5.
- Outer adjustable ring from die-cast aluminium.
- Die-cast aluminium spot inside.
- High pure aluminium reflectors in Spot, Medium, Wide.
- Tempered protection glass.

Code	Description	Kg
80648	Module 60 KRONOS HIT-TC-CE /GU6,5 SPOT	0,940
80649	Module 60 KRONOS HIT-TC-CE /GU6,5 MEDIUM	0,940
80650	Module 60 KRONOS HIT-TC-CE /GU6,5 WIDE	0,940



SOL 1Q + Module 60 KRONOS LED

Module 60 KRONOS LED



CE	F	850°C	IP 20
60°	350°		
LED		ta 25°C	500mA CG

- Version with LED Module.
- Outer adjustable ring from die-cast aluminium.
- Die-cast aluminium spot inside.
- 22W power consumption driven at 500mA.
- Efficiency:

Code	Description	Kg
80622	Module 60 KRONOS LED CHIP 22W	0,940





SOL 1 - SOL 1Q

LED COLOUR CODES:

2 Warm 3 Neutral

BEAM CODES:

01 spot 02 medium 03 wide

Colour Codes:

0 Colours 1 White 2 Titan 3 Black 4 Chrome 5 matt Alum.

DRIVERS

LED LUMINAIRES DESCRIPTION	N° Modules			CODE
	min.	max.		
MODULE 60 IFESTOS G8,5	1	1	20W HIT Electronic	498113
MODULE 60 APOLLON/IFESTOS/POSIDON G12/G8,5/GX8,5	1	1	35W HIT Electronic	498223
MODULE 60 APOLLON/IFESTOS/POSIDON G12/G8,5/GX8,5	1	1	35W HIT Magnetic AVO	498222
MODULE 60 APOLLON/IFESTOS/POSIDON G12/G8,5/GX8,5	1	1	70W HIT Electronic	498323
MODULE 60 APOLLON/IFESTOS/POSIDON G12/G8,5/GX8,5	1	1	70W HIT Magnetic DISPLAY	498312
MODULE 60 APOLLON G12	1	1	150W HIT Electronic	498623
MODULE 60 APOLLON G12	1	1	150W HIT Magnetic DISPLAY	498612
MODULE 60 DIONISOS G53	1	-	60W 12V DC	800005
MODULE 60 DIONISOS G53	1	-	70W 12V DC	800006
MODULE 60 DIONISOS G53	1	-	105W 12V DC	800007
MODULE 60 DIAS/KRONOS LED 22W CG	1	1	500mA 30W IP20 (dimensions 156 x 50 x 23)	498706
MODULE 60 DIAS LED 30W CG	1	1	700mA 30W IP20 (dimensions 156 x 50 x 23)	498705

DIMMER DRIVERS

LED LUMINAIRES DESCRIPTION	N° Modules		DIMMER TYPE	DIMENSIONS mm	CODE
	min.	max.			
MODULE 60 DIAS/KRONOS LED 22W CG	1	1	500mA 32W IP20 1-10Vdc/Push Button*	123 x 80 x 22	498703
MODULE 60 DIAS/KRONOS LED 22W CG	1	1	500mA 32W IP20 1-10Vdc/Push Button/Dali*	123 x 80 x 22	498704
MODULE 60 DIAS LED 30W CG	1	1	700mA 50W IP20 1-10Vdc/Push Button*	123 x 80 x 22	498703
MODULE 60 DIAS LED 30W CG	1	1	700mA 50W IP20 1-10Vdc/Push Button/Dali*	123 x 80 x 22	498704

\* Please order **synchronization cable** for each dimmer driver separately - Code: 800044 (4m)





SOL 1 - SOL 1Q





SOL 1 - SOL 1Q

