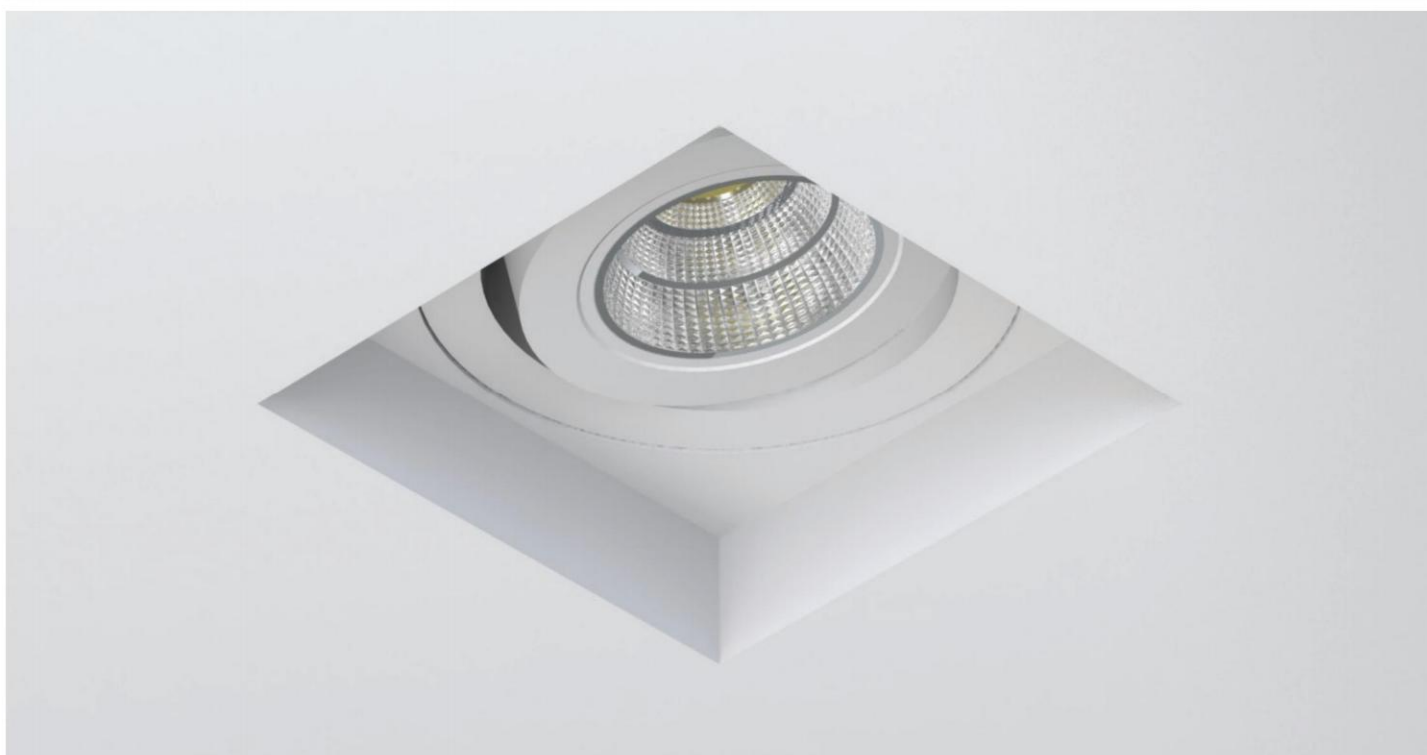


SOL 1 MINI - SOL 1Q MINI

A recessed compact trimless spot with rotation. It can satisfy multiple lighting requirements thanks to its wide variety of modules, which makes it a perfect choice for houses, galleries, museums and retail areas.

A LED version is also available and it is guaranteed by the use of last generation light sources, which ensure excellent performance with maximum energy efficiency. This, in combination with an efficient thermal management, makes SOL 1 MINI & SOL 1Q MINI a warranty for premium lighting with LED technology.

Technical Features

- Trimless recessing frame, in round or square shape, painted electrostatically in selected colour from die-cast aluminium.
- Double internal adjustable ring from die-cast aluminium.
- Easy mounting.

For LED Version

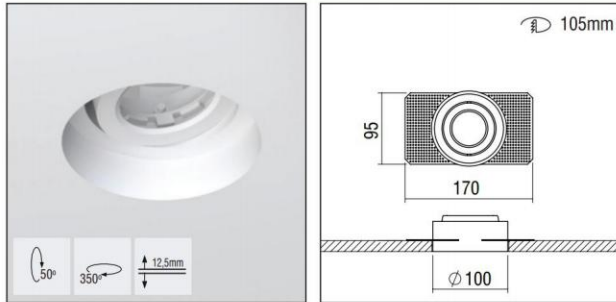
- Big range of aluminium reflector, lens, diffusers.
- Pure light without IR/UV radiation.
- 3W up to 7W wattage range and 300 up to 825 luminous flux range.
- Die cast aluminum heatsink anodized.
- Operation life: 50,000 hours with efficiency > 70% of the initial luminous flux.
- Connection for operation with Constant Current.

Upon request:

Available with highest colour rendering index (CRI)

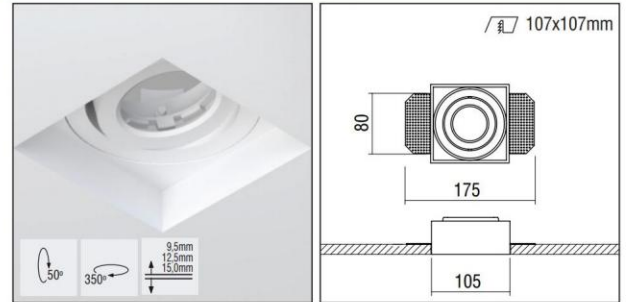
SOL 1 MINI - SOL 1Q MINI

SOL 1 - Mini Fitting



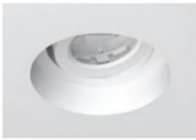


Code	Description	Kg
86763	SOL 1 Mini	0,270

SOL 1Q Mini Fitting

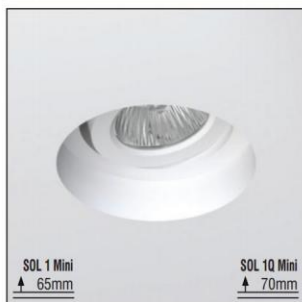


Code	Description	Kg
86764	SOL 1Q Mini	0,400

EXAMPLE

					
CODE	PIECE	CODE	PIECE	CODE	PIECE
86763	1	80607	1	800026	1

SOL 1 - Mini + G5.3

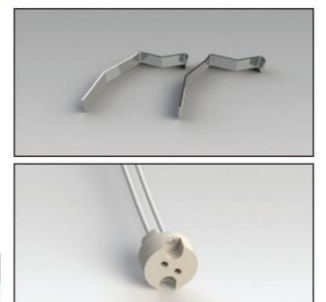


CE	F	850°C	IP 20
50°	350°		
OSRAM RECOMMEND BY PHILIPS MASTERLINE			

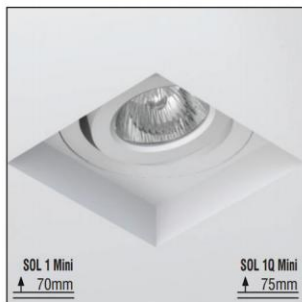
- Simple version for incandescent halogen max.50W 12V (QR-CBC 51).

Code	Description	Kg
806055	Lampholder G5,3 + Safety Lamp Clip	0,020

G5.3 LAMPHOLDER + CLIP



SOL 1Q - Mini + GU10

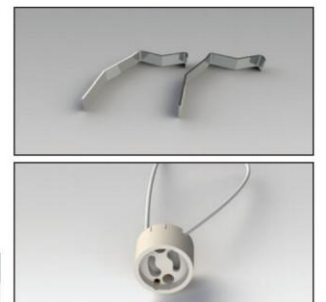


CE	F	850°C	IP 20
50°	350°		
PAR 16	LED	FLUO	

- Simple version for incandescent halogen max.50W 230V (PAR16).

Code	Description	Kg
806054	Lampholder GU10 + Safety Lamp Clip	0,020

GU10 LAMPHOLDER + CLIP



SOL 1 - Mini + Module 50 IRA Reflector



CE	F	850°C	IP 20
0/50°	350°	1-16mm	
LED	350/500mA	ta 25°C	

- Reflectors: 7W: Medium - Wide / 5W: Medium
 - 5W power consumption driver at 500mA.
 - 7W power consumption driven at 350mA.
 - Efficiency: 5W: 4000 K: 419 Lumen, CRI: min. 80
 5W: 3000 K: 419 Lumen, CRI: min. 80
 7W: 4000 K: 825 Lumen, CRI: min. 80
 7W: 3000 K: 720 Lumen, CRI: min. 80
 Maximum: 118 Lm/W

Code	Description	Kg
80643	Module 50 IRA 5W Reflector	0,120
80608	Module 50 IRA 7W Reflector	0,120

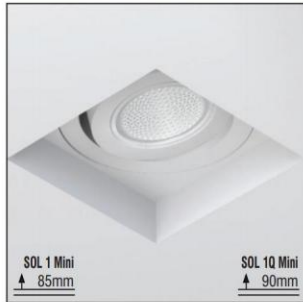
Module 50 IRA Reflector



SOL 1 MINI - SOL 1Q MINI

SOL 1Q - Mini + Module 50 DIMITRA Reflector HO

Module 50 DIMITRA Reflector HO



CE	F	850°C	IP 40
50°	350°		
LED	500mA	ta 25°C	

- Reflectors: Spot, Medium, Wide.
- 5W power consumption driven at 500mA.
- Efficiency:
 - 5W: 4000 K: 419 Lumen, CRI: min. 80
 - 5W: 3000 K: 419 Lumen, CRI: min. 80
- Maximum: 84 Lm/W

Code	Description	Kg
80609	Module 50 DIMITRA 5W Reflector HO	0,150



SOL 1 - Mini + Module 50 ARTEMIS Diffuser Prismatic

Module 50 ARTEMIS Diffuser Prismatic



CE	F	850°C	IP 40
50°	350°		
D	LED	350/500mA	ta 25°C

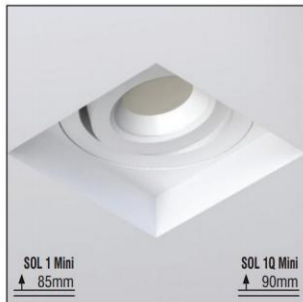
- Beam: Diffuser.
- 5W power consumption driven at 500mA.
- 7W power consumption driven at 350mA.
- Efficiency:
 - 5W: 4000 K: 419 Lumen, CRI: min. 80
 - 5W: 3000 K: 419 Lumen, CRI: min. 80
 - 7W: 4000 K: 825 Lumen, CRI: min. 80
 - 7W: 3000 K: 720 Lumen, CRI: min. 80
- Maximum: 118 Lm/W

Code	Description	Kg
80625	Module 50 ARTEMIS 5W Diffuser Prismatic	0,150
80626	Module 50 ARTEMIS 7W Diffuser Prismatic	0,150



SOL 1Q - Mini + Module 50 ATHINA Diffuser Opal

Module 50 ATHINA Diffuser Opal



CE	F	850°C	IP 40
50°	350°		
D	LED	350/500mA	ta 25°C

- Beam: Diffuser.
- 5W power consumption driven at 500mA.
- 7W power consumption driven at 350mA.
- Efficiency:
 - 5W: 4000 K: 419 Lumen, CRI: min. 80
 - 5W: 3000 K: 419 Lumen, CRI: min. 80
 - 7W: 4000 K: 825 Lumen, CRI: min. 80
 - 7W: 3000 K: 720 Lumen, CRI: min. 80
- Maximum: 118 Lm/W

Code	Description	Kg
80627	Module 50 ATHINA 5W Diffuser Opal	0,150
80628	Module 50 ATHINA 7W Diffuser Opal	0,150



SOL 1 - Mini + Module 50 VENUS Lens

Module 50 VENUS Lens



CE	F	850°C	IP 40
50°	350°		
LED	350/700mA	ta 25°C	

- Lens: Spot, Medium, Wide.
- 3W power consumption driven at 350mA.
- 6W power consumption driven at 700mA.
- Efficiency:
 - 3W: 4000 K: 321 Lumen, CRI: min. 75
 - 3W: 3000 K: 300 Lumen, CRI: min. 80
 - 6W: 4000 K: 600 Lumen, CRI: min. 75
 - 6W: 3000 K: 570 Lumen, CRI: min. 80
- Maximum: 107 Lm/W

Code	Description	Kg
80607	Module 50 VENUS 3W/6W Lens	0,150



LED COLOUR CODES:

2 Warm 3 Neutral

BEAM CODES:

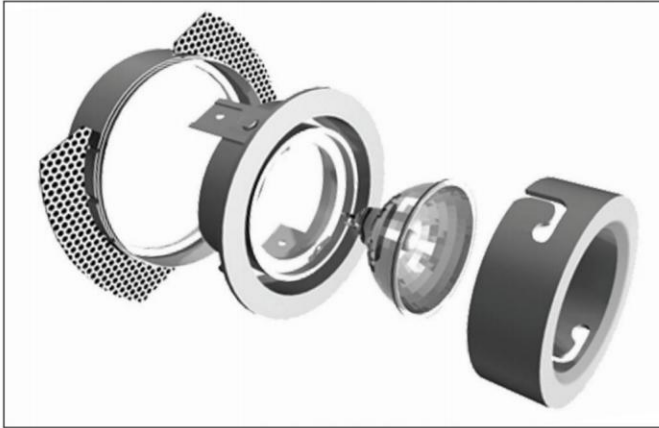
00 diffuser 01 spot 02 medium 03 wide

Colour Codes:

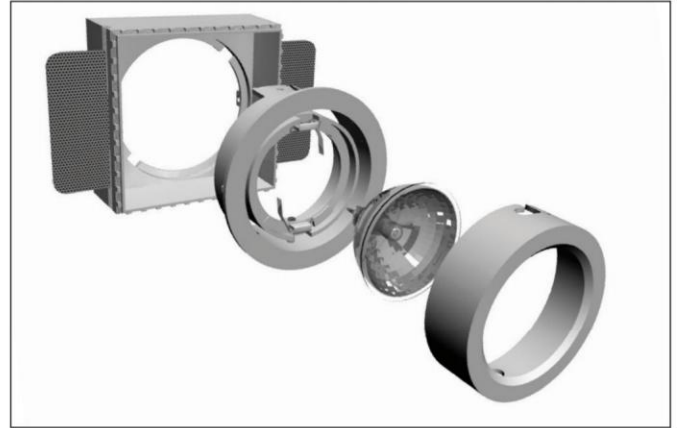
0 Colours 1 White 2 Titan 3 Black 4 Chrome 5 matt Alum.

SOL 1 MINI - SOL 1Q MINI

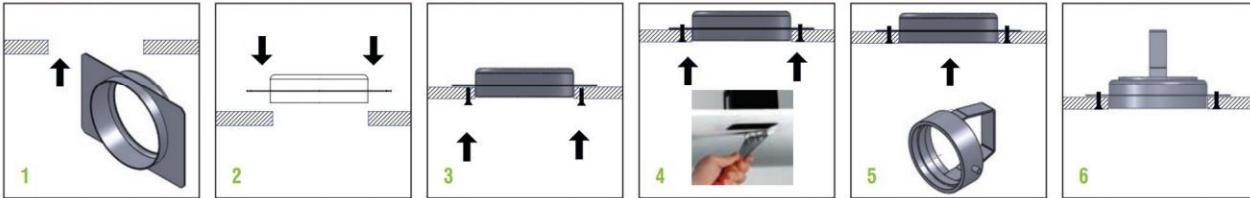
SOL 1 - Mini



SOL 1Q - Mini



INSTALLATION



DRIVERS

CODES	MODULES	DRIVERS					
		350mA 8W 70x35x21	350mA 15W 120x35x19	350mA 25W 125x79x22	500mA 6W 70x35x21	500mA 16W 115x45x27,5	700mA 14W 158x21x18
80643	Module 50 IRA Reflector 5W (500mA)				1 module	2 - 3 modules	
80608	Module 50 IRA Reflector 7W (350mA)	1 module	1 - 2 modules	1 - 3 modules			
80609	Module 50 DIMITRA Reflector HO 5W (500mA)				1 module	2 - 3 modules	
80625	Module 50 ARTEMIS Diffuser Prismatic 5W (500mA)				1 module	2 - 3 modules	
80626	Module 50 ARTEMIS Diffuser Prismatic 7W (350mA)	1 module	1 - 2 modules	1 - 3 modules			
80627	Module 50 ATHINA Diffuser Opal 5W (500mA)				1 module	2 - 3 modules	
80628	Module 50 ATHINA Diffuser Opal 7W (350mA)	1 module	1 - 2 modules	1 - 3 modules			
80607	Module 50 VENUS Lens 3W (350mA)	1 - 2 modules	3 - 4 modules				
80607	Module 50 VENUS Lens 6W (700mA)					1 - 2 modules	3 - 4 modules

DRIVERS DIMMER

CODES	MODULES	DRIVERS DIMMER		
		350mA 15W 500mA 22W 700mA 30W 145x40x28 1-10/ Push B.	350mA 25W 500mA 35W 700mA 50W 125x79x22 1-10/ Push B.	350mA 25W 500mA 35W 700mA 50W 125x79x22 1-10/ Push B./Dali
80643	Module 50 IRA Reflector 5W (500mA)	3 - 4 modules	2 - 6 modules	2 - 6 modules
80608	Module 50 IRA Reflector 7W (350mA)	1 - 2 modules	1 - 3 modules	1 - 3 modules
80609	Module 50 DIMITRA Reflector HO 5W (500mA)	3 - 4 modules	2 - 6 modules	2 - 6 modules
80625	Module 50 ARTEMIS Diffuser Prismatic 5W (500mA)	3 - 4 modules	2 - 6 modules	2 - 6 modules
80626	Module 50 ARTEMIS Diffuser Prismatic 7W (350mA)	1 - 2 modules	1 - 3 modules	1 - 3 modules
80627	Module 50 ATHINA Diffuser Opal 5W (500mA)	3 - 4 modules	2 - 6 modules	2 - 6 modules
80628	Module 50 ATHINA Diffuser Opal 7W (350mA)	1 - 2 modules	1 - 3 modules	1 - 3 modules
80607	Module 50 VENUS Lens 3W (350mA)	2 - 4 modules	2 - 7 modules	2 - 7 modules
80607	Module 50 VENUS Lens 6W (700mA)	2 - 4 modules	2 - 7 modules	2 - 7 modules

12V TRANSFORMERS

Modules CODES	MODULES	Transf. CODES
806051	Module 50 G5,3 12V up to 70W	800006
806051	Module 50 G5,3 12V up to 105W	800007

Please order modules and drivers separately

* Please order synchronization cable for each dimmer driver separately - Code: 800044 (4m)