

ROLLER



Roller is surface mounted or suspended luminaire with cylindrical shape. It can be produced with different heights upon request. Due to it's version with high protection degree (IP54) it can also be used as an outdoor luminaire for facade lighting.

Technical Features

- Aluminium body.
- High pure aluminium reflectors in Spot, Medium, Wide versions and tempered protection glass for HIT-CE, HIT-TC-CE versions.

For LED Version

- Pure light without IR/UV radiation.
- Efficient thermal management.
- 1800 lumen in 22W and 2000 lumen in 25W neutral edition.
- Operation life: 50,000 hours with efficiency > 70% of the initial luminous flux.
- Connection for operation with Constant Current.

Efficiency:

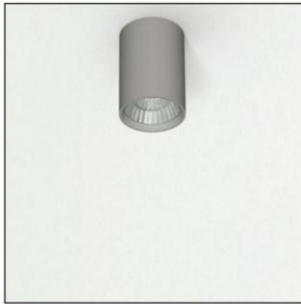
22W: 4000 K: 1800 Lumen, CRI: min. 75
22W: 3000 K: 1800 Lumen, CRI: min. 80
25W: 4000 K: 2000 Lumen, CRI: min. 80
25W: 3000 K: 2000 Lumen, CRI: min. 80
Maximum: 95 Lm/W

Upon request:

Available with highest colour rendering index (CRI)

ROLLER

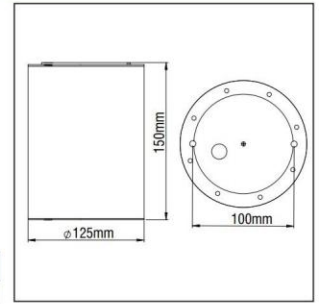
ROLLER LED 25W 230V IP20



CE	F	850°C	IP 20
0°	0°		
▲	▲		
LED	5	ta 25°C	

- Aluminium body.
- High efficient reflectors in Medium and Wide versions.
- 230V/50Hz module.

Code	Description	Kg
88008	ROLLER 25W 230V/50Hz IP20	1,200



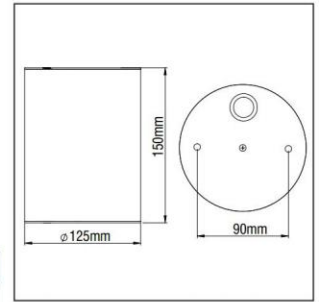
ROLLER LED 25W 230V IP54



CE	F	850°C	IP 54
0°	0°		
▲	▲		
LED	5	ta 25°C	

- Aluminium body.
- High efficient reflectors in Medium and Wide versions.
- Tempered protection glass.
- 230V/50Hz module.

Code	Description	Kg
88019	ROLLER 25W 230V/50Hz IP54	1,500



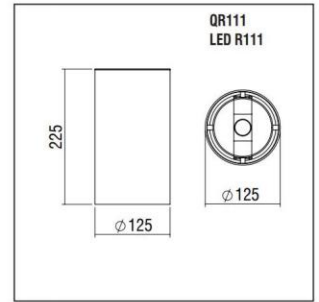
ROLLER



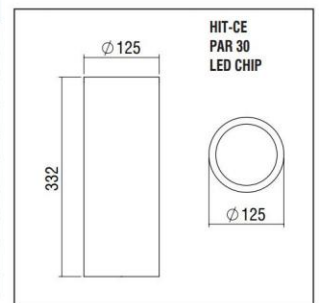
CE	F	850°C	IP 20 IP 54
0°	0°		
▲	▲	▲	Included
LED	5	ta 25°C	

- Aluminium body.
- High pure aluminium reflectors in Spot, Medium, Wide versions and tempered protection glass for HIT-CE, HIT-TC-CE versions.

Code	Description	IP	Kg
88022	ROLLER 1x35W HIT-CE/G12 SPOT	IP54	3,100
88028	ROLLER 1x35W HIT-CE/G12 MEDIUM	IP54	3,100
88020	ROLLER 1x35W HIT-CE/G12 WIDE	IP54	3,100
88023	ROLLER 1x70W HIT-CE/G12 SPOT	IP54	3,100
88029	ROLLER 1x70W HIT-CE/G12 MEDIUM	IP54	3,100
88021	ROLLER 1x70W HIT-CE/G12 WIDE	IP54	3,100
88024	ROLLER 1x100W max. PAR 30/E27	IP20	1,400
88025	ROLLER 1x50W max. QR111/G53	IP20	1,350
LED 88026	ROLLER LED R111/GU10	IP20	1,350
LED 88027	ROLLER LED CHIP 22W	IP20	3,100



▲	
▲	OSRAM: HCI-T PHILIPS: COM-T
▲	OSRAM: HALOSPOT 111 PHILIPS: ALUMINE 111
PAR 30	
LED	
LED	



ROLLER



ROLLER

