

## P500



A surface mounted fixed spot, which is available with one, two or three lamps.  
Ideal for shopping malls, stores, hotels, exhibition halls, museums etc.

### Technical Features

- Aluminium body, painted electrostatically in selected colour or plated.
- Steel lampholder - mounting base.
- Easy mounting.

P500

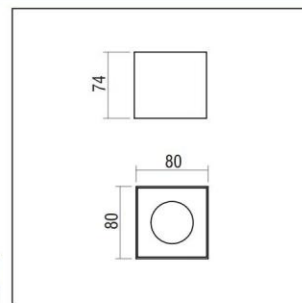
P500



|        |     |       |       |
|--------|-----|-------|-------|
| CE     | F   | 850°C | IP 20 |
| 0°     | 0°  |       |       |
| PAR 16 | LED | FLUO  |       |
|        |     |       |       |
|        |     |       |       |

- Simple version for incandescent halogen max.50W GU10.  
- For one lamp.

| Code  | Description                         | Kg    |
|-------|-------------------------------------|-------|
| 88001 | P500 1x50W PAR16 (LED, FLUO) / GU10 | 0,270 |



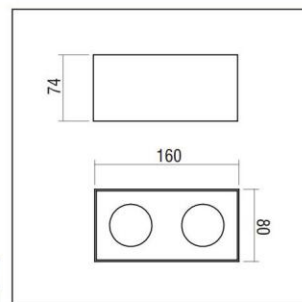
P510



|        |     |       |       |
|--------|-----|-------|-------|
| CE     | F   | 850°C | IP 20 |
| 0°     | 0°  |       |       |
| PAR 16 | LED | FLUO  |       |
|        |     |       |       |
|        |     |       |       |

- Simple version for incandescent halogen max.50W GU10.  
- For two lamps.

| Code  | Description                         | Kg    |
|-------|-------------------------------------|-------|
| 88002 | P510 2x50W PAR16 (LED, FLUO) / GU10 | 0,450 |



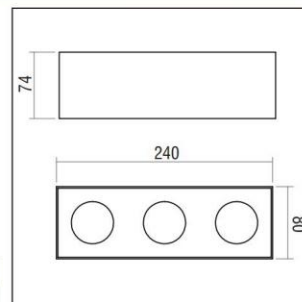
P520



|        |     |       |       |
|--------|-----|-------|-------|
| CE     | F   | 850°C | IP 20 |
| 0°     | 0°  |       |       |
| PAR 16 | LED | FLUO  |       |
|        |     |       |       |
|        |     |       |       |

- Simple version for incandescent halogen max.50W GU10.  
- For three lamps.

| Code  | Description                         | Kg    |
|-------|-------------------------------------|-------|
| 88003 | P520 3x50W PAR16 (LED, FLUO) / GU10 | 0,630 |



Colour Codes:

1 White 2 Titan 3 Black 4 Chrome 5 matt Alum.