

LUNA 175 Adjustable



LUNA ROUND – Quality meets Efficiency

Luna Round is a range of compact adjustable luminaires with high efficiency, which is available in different light sources (HIT-CE, HIT-TC-CE, QR111, CDM-R111, LED R111, LED CHIP).

Due to its high system light output, Luna Round LED can replace even a downlight with 2x32W TC-Del lamps. This compact luminaire is ideal for applications where diffuse light is needed. It is available in two colour temperatures, warm and neutral, and it can be dimmable upon request. The adjustable version of Luna Round is used mainly for accent lighting. Its faceted reflector, made of high purity aluminum, ensures the great performance of the luminaire and enables the selection of its beam angle.

Technical Features

- Outer ring from die-cast aluminium.
- Inner adjustable ring from die-cast aluminium with clips for easy lamp replacement.
- High pure aluminium reflectors in Spot, Medium, Wide versions.
- Tempered protection glass.
- Easy mounting with clips.

Upon request:

Available with highest colour rendering index (CRI)

For LED Version

- Pure light without IR/UV radiation.
- Die cast aluminum heatsink anodized.
- Efficient thermal management.
- 1800 lumen in 22W neutral edition.
- Operation life: 50,000 hours with efficiency > 70% of the initial luminous flux.
- Connection for operation with Constant Current.

LUNA 175 Adjustable

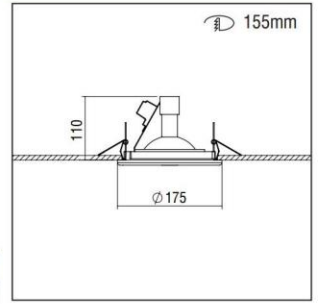
LUNA 175 Adjustable - HI-PAR 111



CE	F	850°C	IP 20
60°	0°	±10-25mm	
OSRAM: HCL R 111 PHILIPS: COM-R 111			35/70W G8

- Version for HI-PAR 111/GX8,5.
- Outer ring from die-cast aluminium.
- Inner adjustable ring from die-cast aluminium with clips for easy lamp replacement.

Code	Description	Kg
46543	LUNA 175 Adjustable HI-PAR 111/GX8,5	0,420



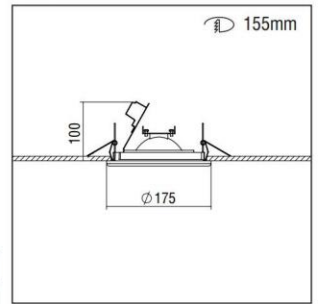
LUNA 175 Adjustable - QR111



CE	F	850°C	IP 20
60°	0°	±10-25mm	
OSRAM: HALOSPOT 111 PHILIPS: ALEANE 111			50/70/105W 12V

- Version for QR111/G53.
- Outer ring from die-cast aluminium.
- Inner adjustable ring from die-cast aluminium with clips for easy lamp replacement.

Code	Description	Kg
46544	LUNA 175 Adjustable QR111/G53	0,420



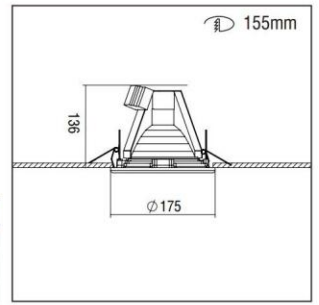
LUNA 175 Adjustable - HIT-CE



CE	F	850°C	IP 20
60°	0°	±10-25mm	
OSRAM: HCL-T PHILIPS: COM-T			35/70/150W G8

- Version for HIT-CE/G12.
- Outer ring from die-cast aluminium.
- Inner adjustable ring from die-cast aluminium with clips for easy lamp replacement.
- High pure aluminium reflectors in Spot, Medium, Wide.
- Tempered protection glass.

Code	Description	Kg
46545	LUNA 175 Adjustable HIT-CE/G12 SPOT	0,620
46549	LUNA 175 Adjustable HIT-CE/G12 MEDIUM	0,620
46546	LUNA 175 Adjustable HIT-CE/G12 WIDE	0,620



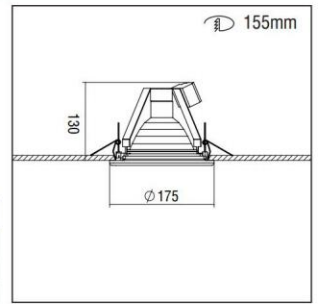
LUNA 175 Adjustable - HIT-TC-CE



CE	F	850°C	IP 20
60°	0°	±10-25mm	
OSRAM: HCL-TC PHILIPS: COM-TC			20/35/70W G8

- Version for HIT-TC-CE/G8,5.
- Outer ring from die-cast aluminium.
- Inner adjustable ring from die-cast aluminium with clips for easy lamp replacement.
- High pure aluminium reflectors in Spot, Medium, Wide.
- Tempered protection glass.

Code	Description	Kg
46541	LUNA 175 Adjustable HIT-TC-CE/G8,5 SPOT	0,620
46540	LUNA 175 Adjustable HIT-TC-CE/G8,5 MEDIUM	0,620
46542	LUNA 175 Adjustable HIT-TC-CE/G8,5 WIDE	0,620



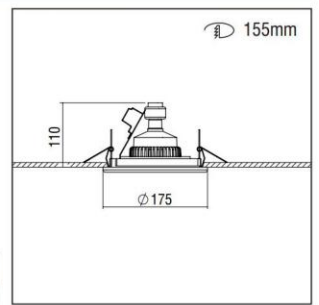
LUNA 175 Adjustable - LED R111



CE	F	850°C	IP 20
60°	0°	±10-25mm	
LED			

- Version for LED R111/GU10.
- Outer ring from die-cast aluminium.
- Inner adjustable ring from die-cast aluminium with clips for easy lamp replacement.
- Connection for 230V/50Hz.

Code	Description	Kg
46547	LUNA 175 Adjustable LED R111/GU10	0,420



LUNA 175 Adjustable

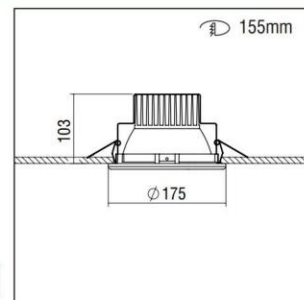
LUNA 175 Adjustable - LED CHIP



850°C IP 20

 ta 25°C

- Version with LED Module.
- Outer ring from die-cast aluminium.
- Inner adjustable ring from die-cast aluminium with clips for easy lamp replacement.
- 22W power consumption driven at 500mA.
- Efficiency:
 22W: 4000 K: 1800 Lumen, CRI: min. 75
 22W: 3000 K: 1800 Lumen, CRI: min. 80
 Maximum: 82 Lm/W



Code	Description	Kg
46550	LUNA 175 ADJUSTABLE LED CHIP 22W	0,820

LED COLOUR CODES:
 2 Warm 3 Neutral

BEAM CODES:
 01 spot 02 medium 03 wide

Colour Codes:
 0 Colours 1 White 2 Titan 3 Black 4 Chrome 5 matt Alum.

CONTROL GEAR - TRANSFORMERS					
DESCRIPTION	Type	CODE			
230V/12V 50W - Conventional	TRANSFORMER 12V	800001			
230V/12V 70W - Electronic	TRANSFORMER 12V	800006			
230V/12V 105W - Conventional	TRANSFORMER 12V	800002			
230V/12V 105W - Electronic	TRANSFORMER 12V	800007			
230V 35W HIT - Electronic	BALLAST	800009			
230V 70W HIT - HST - Electronic	BALLAST	800010			
230V 100W HST - Electronic	BALLAST	800011			
230V 150W HIT - HST - Electronic	BALLAST	800012			
Metal halide lamps (HIT) or high pressure sodium lamps (HST)		Conventional Control Gear & Capacitor		Electronic Control Gear	
		CODE		CODE	
35W HIT AVO	CONTROL GEAR	498222		498223	
70W HIT - HST Display	CONTROL GEAR	498312		498323	
70W HIT - HST (for lum. AVO - TEO)	CONTROL GEAR	498322			
150W HIT - HST	CONTROL GEAR	498612		498623	

LUNA 175 Adjustable

